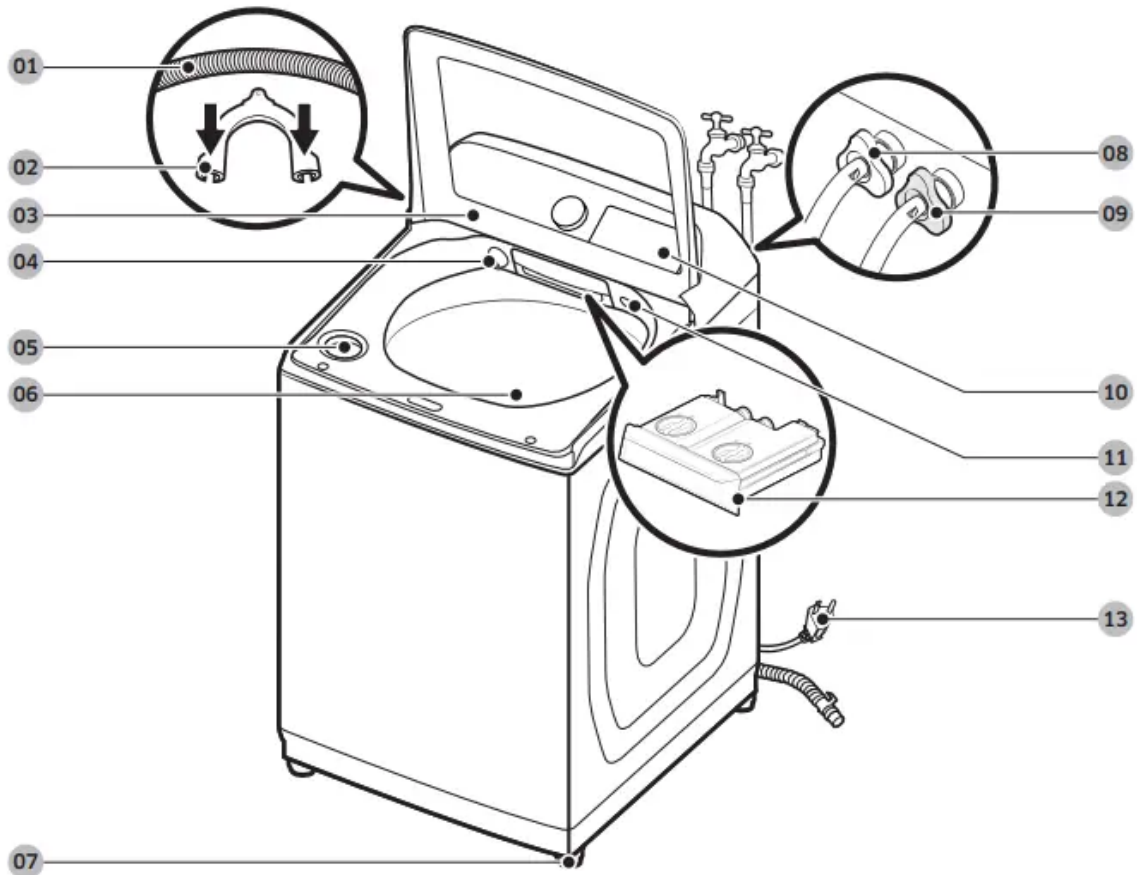


Installation

What's included

Make sure all the parts are included in the product package.



1. Drain hose
2. Hose guide
3. Lid
4. Active Waterjet nozzle
5. Bleach compartment
6. Tub
7. Leveling feet
8. Water hose (Hot)
9. Water hose (Cold)
10. Control panel
11. 1 Active Waterjet button

12. Detergent drawer

13. Power cord

Installation requirements

Electrical supply and grounding

- AC 120 V / 60 Hz / 15 AMP fuse or circuit breaker is required.
- Use an individual branch circuit. Connect only the washer to the circuit.

To ensure proper grounding, the washer comes with a power cord featuring a three-prong grounding plug for use in a properly installed and grounded outlet. Check with a qualified electrician or service person if you are not sure about the grounding.

Do not modify the provided plug. If it does not fit the outlet, call a qualified electrician to install a proper outlet.



WARNING

- Do NOT use an extension cord.
- Use only the power cord that comes with the washer.
- Do NOT connect the ground wire to plastic plumbing, gas lines, or hot water pipes.
- Improperly connected grounding conductors may cause electric shock.
- To prevent unnecessary risk of fire, electrical shock, or personal injury, all wiring and grounding must be done in accordance with local codes, or in the absence of local codes, in accordance with the National Electrical Code, ANSI/NFPA No. 70-Latest Revision (for the U.S.) or the Canadian Electrical Code CSA C22.1 – Latest Revisions and local codes and ordinances. It is your responsibility to provide adequate electrical service for your washer.

Water supply

Proper water pressure for this washer is between 20-116 psi (137-800 kPa). Water pressure less than 20 psi (137 kPa) may cause the water valve not to close completely, or it may take longer to fill the drum, causing the washer to turn off. Water taps must be within 4 ft. (122 cm) from the rear of the washer so that the provided inlet hoses reach the washer.

To reduce the risk of leaks:

- Make sure water taps are easily accessible.
- Turn off the taps when the washer is not in use.
- Check for any leaks at the water inlet hose fittings on a regular basis.



CAUTION

Before using the washer for the first time, check all connections at the water valve and taps for any leaks.

Drain

Samsung recommends a standpipe 39 in. (990 mm) high. The drain hose must be connected through the hose clip to the standpipe, and the standpipe must fully cover the drain hose.

Flooring

For best performance, the washer must be installed on a solid floor. Wood floors may need to be reinforced to minimize vibration and/or unbalanced loads. Carpeting and soft tile surfaces do not provide good resistance to vibrations and may cause the washer to move slightly during the spin cycle.

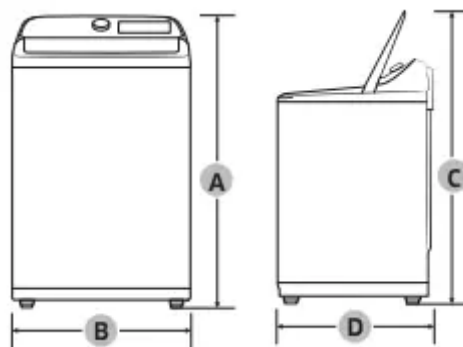
CAUTION

Do NOT install the washer on a platform or a poorly supported structure.

Water temperature

Do not install the washer in areas where water may freeze as the washer always retains some water in its water valves, pumps, and/or hoses. Frozen water can cause damage to belts, the pump, and other components of the washer.

Dimensions



A. Height	45.8 in. (1163 mm)
B. Width	27.5 in. (699 mm)
C. Height with lid open	59.5 in. (1511 mm)
D. Depth	29.4 in. (747 mm)

Clearance requirement

This clearance requirement is applicable for washers only.

NOTE

- For the dryer's clearance requirement, see the dryer's user manual.
- If the washer and dryer have different clearance requirements, use the one with the larger value.

Alcove or closet installations

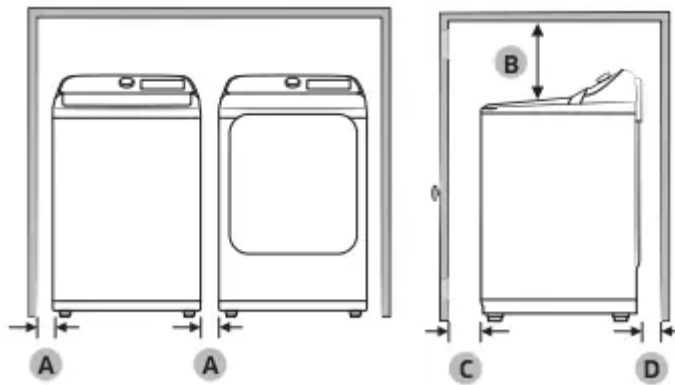
Minimum clearance for stable operation:

Sides	Top	Rear	Front
1 in. / 25 mm	21 in. / 533 mm	5.9 in. / 150 mm	1 in. / 25 mm

If both the washer and a dryer are installed in the same location, the front of the alcove or closet must have two unobstructed air openings for a combined minimum total area of 72 in.² (465 cm²).

This clearance requirement is applicable for washer and dryer pair installation.

Side by side installation



A	1 in. (25 mm)
B	21 in. (533 mm)
C	1 in. (25 mm)
D	5.9 in. (150 mm)

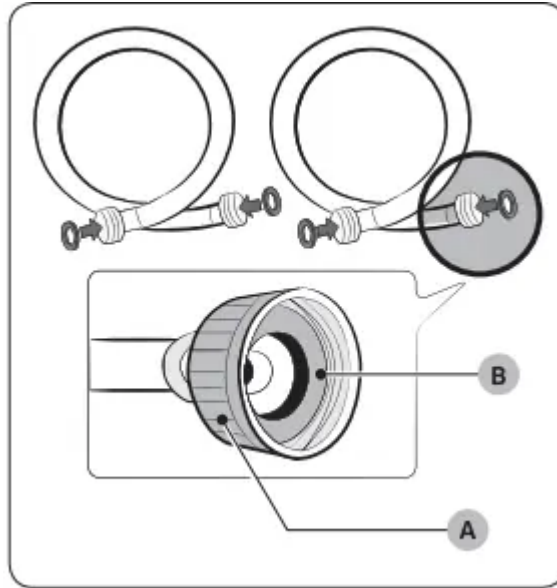
Step-by-step installation

STEP 1 Select a location

Location requirements:

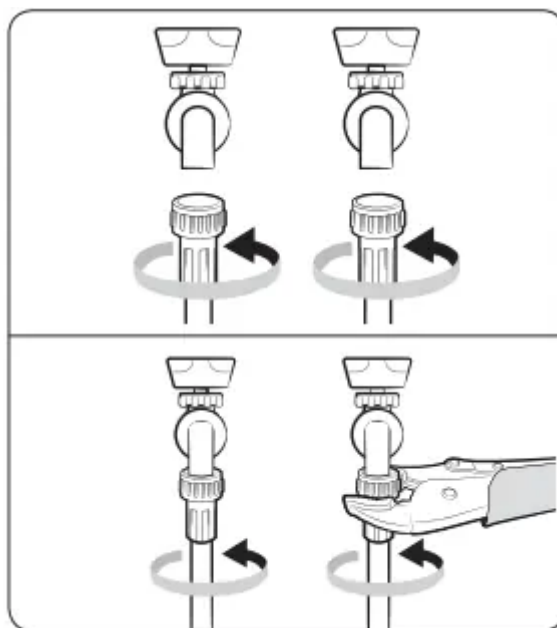
- A solid, level surface without carpeting or flooring that may obstruct ventilation
- No direct sunlight
- Adequate room for ventilation and wiring
- Ambient temperature always higher than the freezing point (32 °F / 0 °C)
- Away from heat sources

STEP 2 Connect the water hose



CAUTION

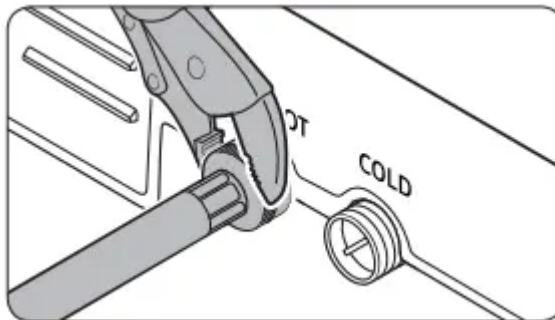
- Make sure to use new water hoses and that rubber gaskets (B) are inside the couplings (A) at both ends of the hoses. Water hoses without the gaskets may leak.
- Allow 6 in. (150 mm) of space between the back of the washer and the wall to prevent water hoses from being kinked. Kinked hoses may cause water leaks.
- If there is a water leak, stop using the washer and contact a local Samsung service center. A water leak may cause electric shock.
- Do not stretch the water hoses by force. If a hose is too short, replace the hose with a longer hose.



1. Attach the water hoses to the hot and cold water taps, and then hand tighten the water hose fittings until they are tight. Then, use pliers to tighten the fittings by an additional two-thirds of a turn. To avoid damaging the fittings, do not overtighten them.
2. Pull the water hoses to check if they are firmly connected.



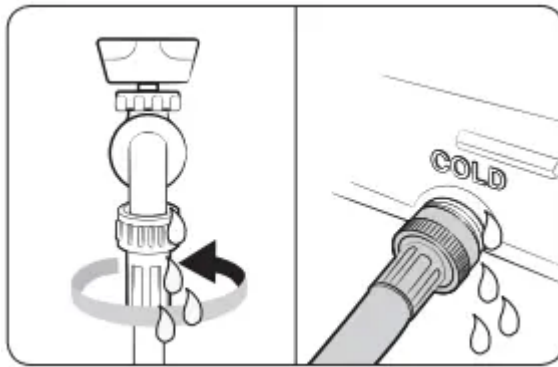
3. Put the other ends of the hoses into a bucket, and then open the water taps for 10 - 15 seconds to remove impurities. When done, close the taps.



4. Attach the water hoses to the hot and cold water inlets on the back of the washer, and then hand tighten the water hose fittings until they are tight. Then, use pliers to tighten the fittings by an additional two-thirds of a turn.

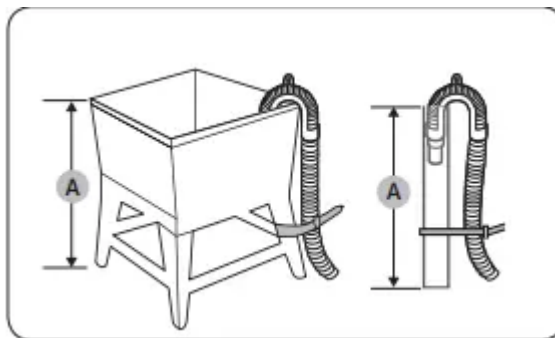
 **NOTE**

- If you are not going to use the hot water, block the hot water supply intake with the water intake cap. Otherwise, there is a risk of water leak.
- Make sure to set the water temperature to Cold after blocking the hot water supply intake. Otherwise, the amount of supplied water could be low, or the water could not supply at all.



5. Open the water taps, and check for leaks.

STEP 3 Connect the drain hose



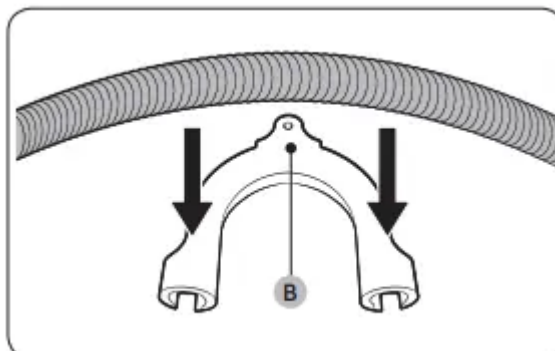
To a Laundry Tub or Drain Pipe

1. Check the height (A) of your drain system and make sure the minimum and maximum heights shown below are met.

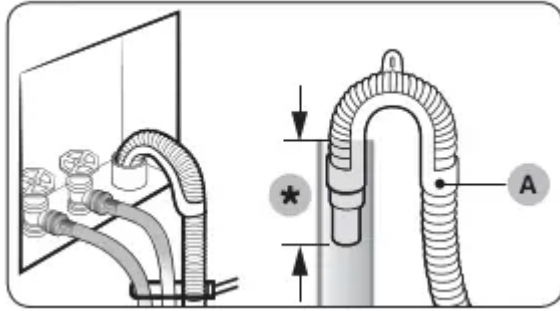
Minimum	39 in. (99 cm)
Maximum	96 in. (245 cm)

NOTE

- Make sure to measure the height from the floor where the washer is placed.
- Draining efficiency may be reduced if the drain system is at the maximum height.
- To prevent the washer from siphoning water, do not use a drain system below the minimum height.



2. Attach the drain hose to the plastic hose guide (B) .



(*): Min. 6 in. (152 mm), Max. 8 in. (203 mm)

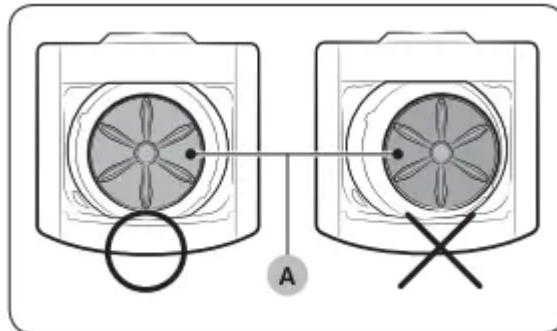
3. Route the drain hose to the drain system.

 **CAUTION**

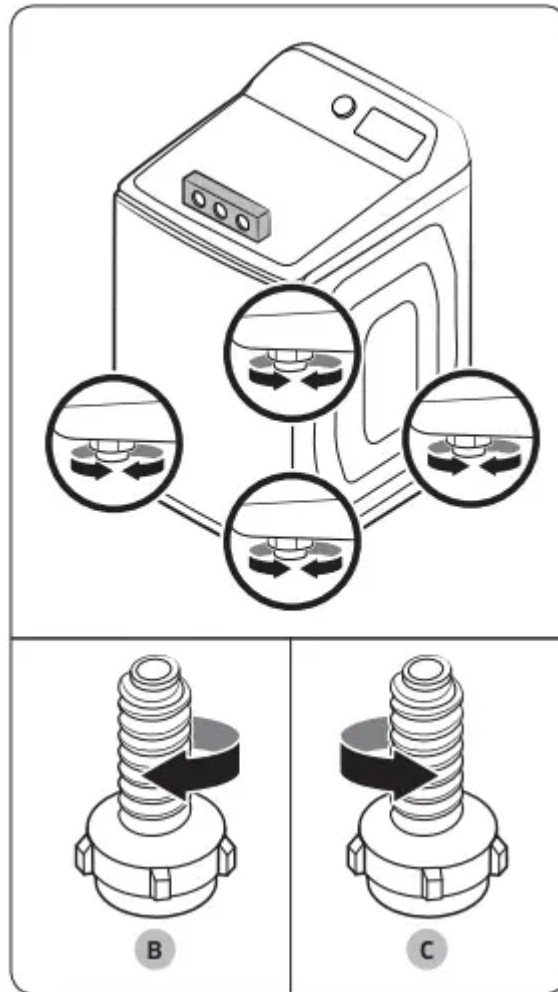
- If using a standpipe, make sure the standpipe and drain hose connection is not airtight.
- If using a standpipe, make sure the drain hose is inserted at least 6 in. (152 mm) but no more than 8 in. (203 mm) into the standpipe.

4. Secure the drain hose with cable ties.

STEP 4 Level the washer



1. Slide the washer into position.
2. Open the lid of the washer, and then pour water into the tub until the blades of the pulsator on the bottom of the washer are about half covered.
3. If the washer is level, the pulsator (A) will be positioned at the center of the tub as shown in the figure and the water will appear level in the tub. That is, the water will reach the same height on all sides of the tub.



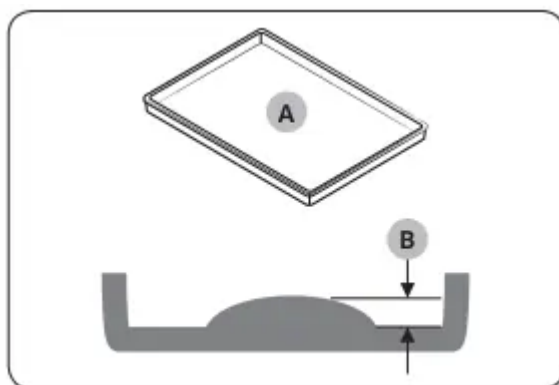
4. If the washer is not level, turn the appropriate leveling feet clockwise (B) to lower the washer, or counterclockwise (C) to raise the washer so that it is level.

5. Once you have the washer leveled, push down on all 4 corners to ensure that all 4 feet are touching the floor. If the washer rocks when you push down on a corner, adjust the leveling foot at that corner so the foot is firmly on the floor.

 **NOTE**

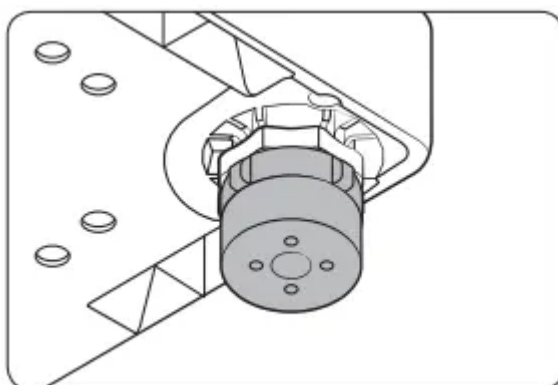
- You can also level the washer by lining a level up with the seam that runs between the top of the washer and the body of the washer and checking if the washer is level on all 4 sides.
- See the diagram above, left. After you have checked all 4 sides and leveled the washer, perform Step 5 above.

Leveling the washer with the leg ring (For WA5*A770*A* models only)



A. Water drip pan

B. Bulge height less than 5/8"



With the leg ring in place, use the leveling leg to adjust the height of the washer.

STEP 5 Power on

Plug the power cord into an AC 120 V / 60 Hz / 15 AMP approved electrical outlet protected by a 15-amp fuse or circuit breaker. Then, press Power to turn on the washer.

STEP 6 Run a test cycle

Run a test cycle as follows to check if your washer is properly installed.

1. Load about 6 lb. of laundry into the tub.
2. Press Power to turn on your washer.
3. Turn the Cycle Selector to RINSE+SPIN .
4. Press and hold Start/Pause (Hold to Start) to start the test cycle.
5. The washer should not rock or vibrate excessively when water is supplied or when washing and spinning, and should drain well during the spin cycle.

NOTE

- If water leaks while water is being supplied or drained, check the water connections. See “ Connect the water hose” on page 22.

- If the washer rocks and vibrates excessively, level your washer again. See “ Level the washer” on page 26.

Before you start

Initial settings

Run calibration (recommended)

Calibration ensures accurate weight detection by the washer. Make sure the tub is empty before running calibration.

1. Press Power to turn on the washer.
2. Press and hold Temp. and Delay End simultaneously for 3 seconds.
3. Press and hold Start/Pause (Hold to Start) to start calibration. The tub rotates clockwise or counterclockwise for approximately 2 minutes.
4. When complete, “0 ” appears on the display, and the washer turns off automatically.

Laundry guidelines

STEP 1 Sort

Sort the laundry according to these criteria:

- Care label: sort the laundry into cottons, mixed fibers, synthetics, silks, wools, and rayon.
- Color: Separate whites from colors.
- Size: Mixing different sized items together in the tub improves washing performance.
- Sensitivity: Wash delicate items separately. For pure new woolen items, curtains, and silk items, check the labels on the items.



NOTE

Make sure to check the care label on all clothing, and sort clothing accordingly before starting the wash.

STEP 2 Empty pockets

Empty all the pockets of your laundry items

- Metal objects such as coins, pins, and buckles on clothing may damage other laundry items as well as the tub.

Turn clothing with buttons and embroideries inside out

- If pants or jacket zippers are open while washing, the tub may be damaged. Zippers should be closed and fixed with a string.

- Clothing with long strings may become entangled with other clothes. Make sure to tie the strings before starting the wash.

STEP 3 Use a delicates bag

- Brassieres (water washable) must be placed in a delicates bag. Metal parts of the brassieres may break through and tear other laundry items.
- Cashmilon, large volume items, and lightweight clothes (lace-decorated clothes, lingerie, nylon stockings, and synthetic fabrics) may float during washing and not wash properly. Use the delicates bag or wash them separately.
- Do not wash the delicates bag by itself without other laundry. This can cause abnormal vibrations that could cause the washer to move and result in injury.

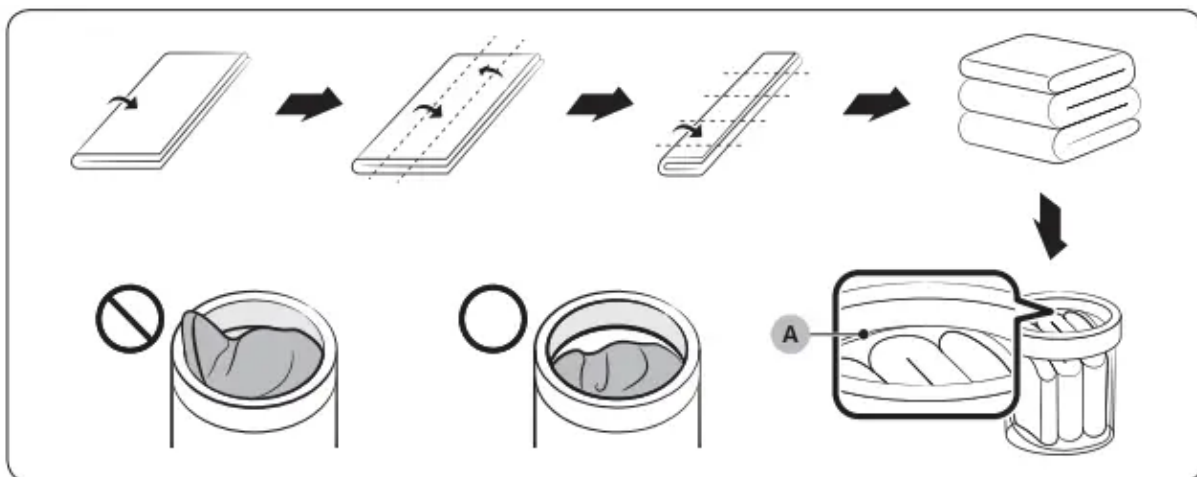
CAUTION

Make sure to soak inflatable items (such as blankets, and cotton-filled or microfiber quilts) in water before you run a cycle.

- Inflatable items may damage the laundry or the washer during the washing or spinning process.
- Regardless of the size, it is safer to wash blankets or quilts one item at a time. This will also get them cleaner. Two different-sized blankets in the same load can cause the load to become unbalanced, compromising the spinning process.

To put a blanket in your washer

Fold the blanket as shown, and then put it below the plastic ring (A) at the top of the tub.



STEP 4 Prewash (if necessary)

- To remove stains and dirt on collars, sleeves, hems, and pockets, apply detergent lightly, let sit for a minute, and then brush off carefully.
- Use powder or liquid detergents. Do not use soap. Soap can remain on the tub after washing.

- To prewash white socks, sleeves, and collars apply a little detergent, and then brush carefully.

 **CAUTION**

Make sure the laundry is inserted completely.

- Any exposed part of the laundry can cause damage to the washer or the laundry itself or cause a water leak.
- Make sure the laundry does not extend past the plastic ring at the top of the tub.

STEP 5 Determine the load capacity

Make sure the laundry does not extend past the plastic ring at the top of the tub. If it does, it can cause the washing machine to wash improperly or cause damage to the washer or the laundry itself or cause a water leak.

 **NOTE**

When washing bedding or bedding covers, the wash time may be lengthened or the spin efficiency may be reduced.

For bedding or bedding covers, the recommended load capacity is 7.5 lb (3.5 kg) or less.

 **CAUTION**

If the laundry is unbalanced and the “UB ” information code is displayed, redistribute the load. Unbalanced laundry can reduce spinning performance.

STEP 6 Add the correct detergent type

The type of detergent you use - general purpose, specifically for woolens, etc. - depends on the type of fabric (cotton, synthetic, delicate items, wool), color, wash temperature, and degree of soiling. Regardless of the specific type of detergent you use, always use “low suds” HE laundry detergent which is designed for automatic washers.

 **NOTE**

- Follow the detergent manufacturer’s recommendations based on the weight of the laundry, the degree of soiling, and the hardness of the water in your local area. If you are not sure about the water hardness, contact your local water authority.
- Do not use detergent that tends to harden or solidify. This detergent may remain in the washer after the rinse cycle, blocking the drain outlet.

Use HE detergent only



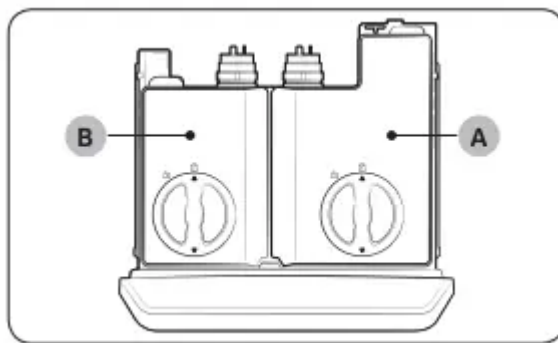
- For the best cleaning results, use a high efficiency detergent such as Tide HE, Wisk HE, Cheer HE or Gain HE*. High efficiency detergents contain suds suppressors that reduce or eliminate suds. When fewer suds are produced, the load tumbles more efficiently and cleaning is maximized. (*Brand names are trademarks of their respective manufacturers.)

 **WARNING**

For best results, use HE detergents only. Do not use non-HE detergent, organic detergent, natural detergent or HE detergents with natural ingredients (such as vinegar, baking soda).

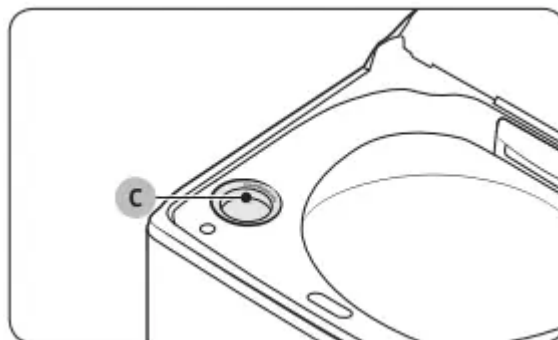
Detergent drawer guidelines

The automatic dispenser models has two compartments for auto-dispensing. See below for details:




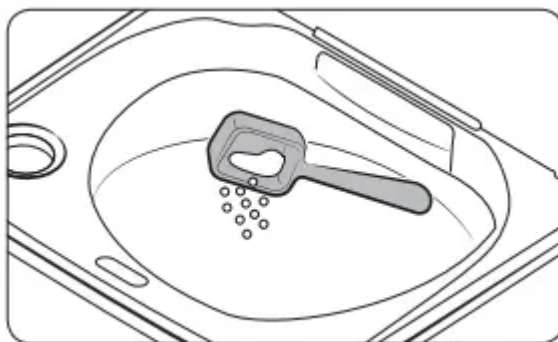
A. Auto detergent compartment : Use liquid detergent only.

B. Auto softener compartment : Use fabric softener only.



C. Bleach compartment : Add bleach as instructed by the manufacturer.

 **NOTE** Do not pour color-safe bleach into the bleach compartment.



 **NOTE**

If you need to put detergent (liquid, powder, or pellet) manually, put it directly into the tub.

- If you use powder detergent, put detergent into the tub before putting your laundry.

 **CAUTION**

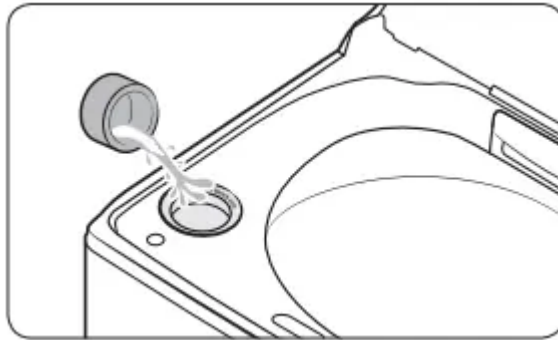
- The Softener or Detergent button's LED blinks when the detergent or softener level is low.
- Do not add an excessive amount of detergent. This may affect the washing results adversely.
- Do not use any cleaning agents for cleaning the drum. Chemical residue in the drum deteriorates the washing performance.
- Do not use the following types of detergent in the drawer.
 - Tablet, capsule, ball, or net types.
 - Do not use gel-type or viscous detergent/softener in the detergent drawer as they may not flow well.
- Read the detergent/softener manufacturer's instructions before using them in the washer.
 - Empty the compartments in the detergent drawer before moving the washer to prevent any content from spilling out on the floor.

 **NOTE**

- The “SDC ” message appears if the detergent drawer is not completely closed. You will hear a click sound when the drawer is properly closed. Close the detergent drawer until it clicks before you start the washer.
- If the Softener or Detergent button's LED blinks, refill the corresponding compartment.
- Do not exceed the max line when filling detergent and softener.
- It may be hard to open the detergent drawer with just your fingertips. Grab the detergent drawer handle firmly with your hand and pull to open it.

- Push the detergent drawer all the way to the end to close it. You will hear a click sound when the drawer is properly closed.
- If you feel softener scent is weak, set the softener input level to High .
- Using a water softener (such as borax) in hard water can prevent fabric damage and discoloration. Do not pour into the auto detergent dispenser. Pour manually into the machine.

To use the bleach compartment



Add only liquid chlorine bleach to the bleach compartment. Do not exceed the max line.

CAUTION

Do not add undiluted liquid chlorine bleach directly to the load or to the tub. This may cause fabric damage.

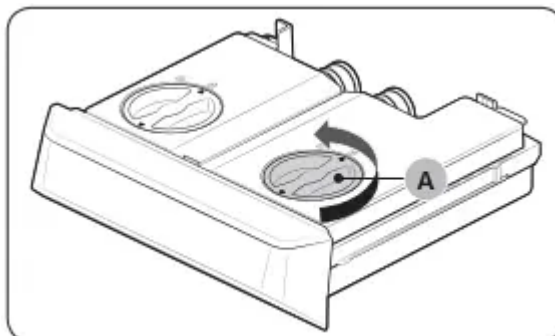
To apply washing agents to the auto dispenser

NOTE

- If the Softener or Detergent button's LED blinks, refill the corresponding compartment.
 - Once you refill the auto detergent/softener compartments, the washer will start to detect the detergent/softener amount when you press and hold Start/Pause (Hold to Start) .
- The detection time may vary depending on the type of the detergent/softener.

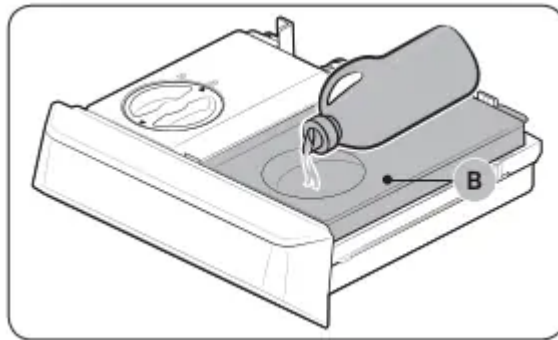
1 Pull the detergent drawer to open.

2 Turn the auto detergent compartment cover (A) counter-clockwise to open.

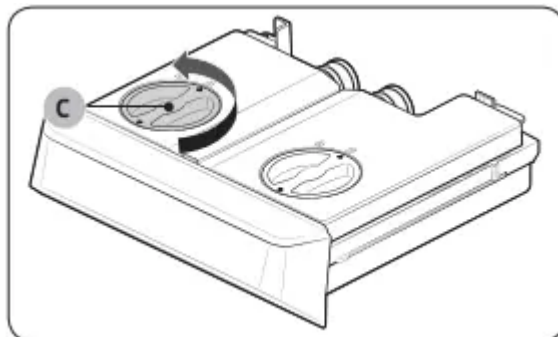


3 Apply an appropriate amount of detergent to the auto detergent compartment (B) . Pour detergent slowly to prevent overfilling.

- After you finish, put the cover back and turn it clockwise to close.



4 Turn the auto softener compartment cover (C) counter-clockwise to open.

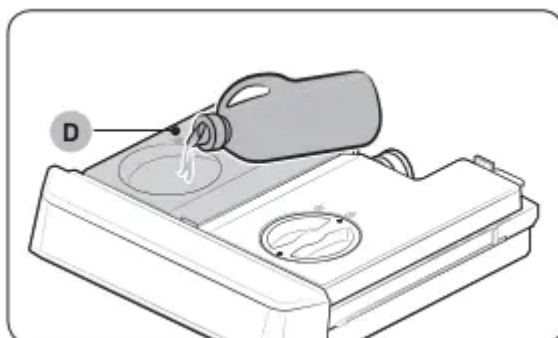


5. Apply an appropriate amount of fabric softener to the auto fabric softener compartment (D) . Pour fabric softener slowly to prevent overfilling.

- After you finish, put the cover back and turn it clockwise to close.

6. Push the detergent drawer to close.

- Push the detergent drawer all the way to the end. You will hear a click sound when the drawer is properly closed.



 **CAUTION**

- Do not apply detergent/softener to the drawer without the detergent/softener compartment.

- If you do, clean the drawer and then reinsert both compartments.
 - Use only liquid detergent/softener with the detergent/softener compartments. Do not use powder detergent.
 - Do not insert detergent/softener to the drawer without the detergent and softener compartments inserted. If you apply detergent/softener to the drawer, clean the drawer and reinsert both compartments.
- If they are not, the washer may not start operating or fail to dispense washing agents.
 - Clean the detergent/softener compartment before refilling them with the same or a different type of detergent or softener.
 - If you are not going to use the washer for a long time (over a month), empty the detergent/softener compartments and clean them thoroughly.
 - If you have accidentally mixed the detergent and softener in one of the compartments, empty the compartment, clean them thoroughly, and put the correct cleaning agent in its compartment.
 - To prevent detergent/softener from hardening, do not open the cover once the detergent/softener has been applied to the compartment.
 - Do not use any bleach that may cause corrosion and/or generate the gas.
 - Do not turn any compartment upside down.
- The content may spill.
 - Do not press the outlet at the rear of either compartment while moving it.
- The content may leak.
 - Use caution when inputting detergent or fabric softener in the applicable compartment.
- The content may spill.
 - When removing the detergent/softener compartment to check the remaining content upon an error message or before the message appears), the drawer may have content remaining or leaking from the bottom of the drawer.
 - Make sure all the compartments in the detergent drawer are empty before moving the washer.
 - The input or refill level of the detergent/softener depends on the type or the remaining amount of detergent/softener.
 - If the Softener or Detergent button's LED blinks, immediately refill the corresponding compartment. A later refill may cause the input level of the agent to decrease.
 - Do not use hardened detergent/softener.

- When you take out the detergent drawer for refill and cleaning, residual detergent may remain inside each compartment. This occurs after automatic dispensing and is not an issue with operation.

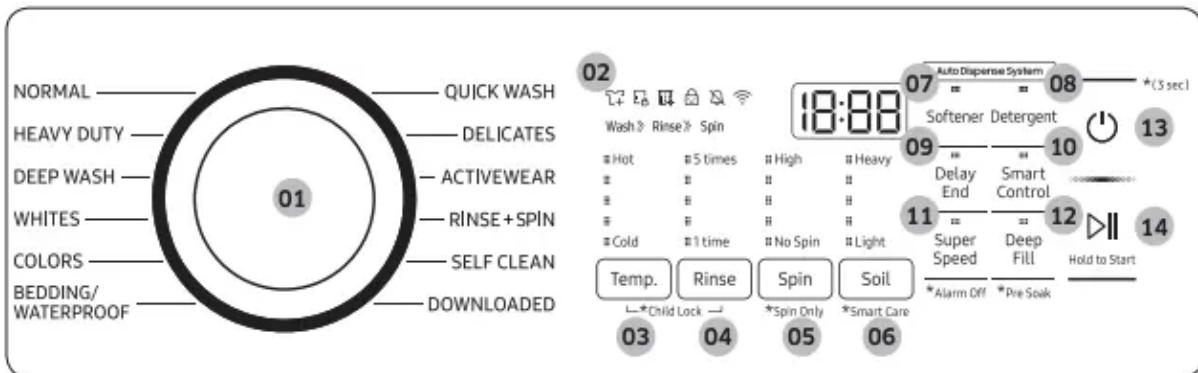
NOTE

- Use detergent and bleach for washer only.
 - Do not put organic, natural, or handmade laundry detergent/softener into the Auto detergent/softener compartment, as they may not be detected properly by the washing machine.
 - Do not use gel-type or viscous detergent/softener in the detergent drawer as they may not flow well.
- Read the detergent/softener manufacturer's instructions before using them in the washer.
- When you need to refill the detergent or softener compartment, we recommend refilling the compartment after removing the detergent drawer from the washer.

Operations

WARNING To reduce the risk of fire, electric shock, or injury to persons, read the Safety information before operating this appliance.

Control panel



01 Cycle Selector Turn the dial to select a cycle. (For more information about wash cycles, see page 46.)

02 Display The display shows current cycle information and estimated time remaining, or an information code if the washer needs to be checked.

03 Temp. Press to change the water temperature for the current cycle.

- Hot (Level 5) : Whites and heavily soiled, colorfast items.
- (Level 4) : Warm temperature for colorfast items.

- (Level 3) : Moderately soiled, colorfast items; most wrinkle-free items.
- Cool (Level 2) : Brightly colored, very lightly soiled items.
- Cold (Level 1) : No warm water is supplied.

04 Rinse Press to change the rinse count for the current cycle.

05 Spin Press to change the spinning speed for the current cycle.

- High (Level 5) : Extends the spinning process to effectively remove moisture from the load. This level uses a stronger spinning process to remove moisture, so it is not suitable for wrinkle-free or non-iron fabrics, or overloads.
- (Level 4) : Underwear, t-shirts, jeans, and sturdy cottons.
- (Level 3) : Jeans, wrinkle-free or wash-and wear items, and synthetics.
- (Level 2) : Delicate items that require a lower spinning speed.
- No Spin (Level 1) : The drum does not spin after the final drain process.

Rinse hold (All indicators are off): The final rinse process is suspended so that the laundry remains in the water. To unload the laundry, run a drain or spin cycle.

Spin Only : To run a Spin Only setting cycle, press Spin for 3 seconds. When the cycle time and spinning speed appear, press Spin repeatedly until a desired spinning speed is selected. Then, press and hold Start/Pause (Hold to Start) to start the cycle. The spinning time depends on the selected cycle.

06 Soil Press to change the soil level for the current cycle.

- Heavy (Level 5) : For extremely soiled loads.
- (Level 4) : For heavily soiled loads.
- (Level 3) : For moderately soiled loads. This setting is best for most loads.
- (Level 2) : For lightly soiled loads.
- Light (Level 1) : For barely soiled loads.

07 Softener The washing machine adjusts the amount of fabric softener to dispense.

 **NOTE**

If the LED blinks, immediately refill the softener. A later refill may cause the input level of the agent to decrease.

08 Detergent The washing machine adjusts the amount of detergent to dispense.

 **NOTE**

If the LED blinks, immediately refill the detergent. A later refill may cause the input level of the agent to decrease.

09 Delay End Set the washer to finish your wash automatically at later time. Choose a delay of between 1 to 24 hours (in 1 hour increments). (For more information about Delay End , see page 49.)

10 Smart Control After connecting the washer to your home network using the SmartThings app, you can control the washer remotely. When started, the Smart Control indicator blinks and the front door locks. The washer enters waiting mode and waits for remote commands. (For more information about Smart Control , visit the SmartThings app page.)

11 Super Speed Press to shorten the washing time of the NORMAL , HEAVY DUTY or WHITES cycles. Shortened time may differ depending on the cycle, load, and options.

12 Deep Fill Use this option where extra water is needed.



NOTE

- The cycle time will be extended when you use this function.
- Enabling this function in the NORMAL cycle will automatically change the wash cycle to DEEP WASH .

13 Power Press to turn the washer on or off.

14 Start/Pause (Hold to Start) Press and hold to start operation or press to stop operation temporarily.

Icon description



Garment+

- This icon indicates you can add or take out items after a cycle has started.
- To add or take out items, press Start/Pause (Hold to Start) to pause the cycle, and then open the lid. To resume the cycle, close the lid, and then press and hold Start/Pause (Hold to Start) .



Lid Lock

- This icon indicates the lid is locked and cannot be opened.
- The lid locks automatically during a cycle and this indicator turns on.
- You can open the lid when this icon disappears.



SELF CLEAN reminder

- This icon indicates that you should clean the drum using the SELF CLEAN cycle.
- After every 20 cycles, this icon appears for an hour and then turns off automatically. The icon will appear for 5 more cycles, turn off, and then will not appear for another 20 cycles.



Child Lock

- This icon indicates that Child Lock is on.
- For more information about Child Lock , see page 50.



Alarm Off

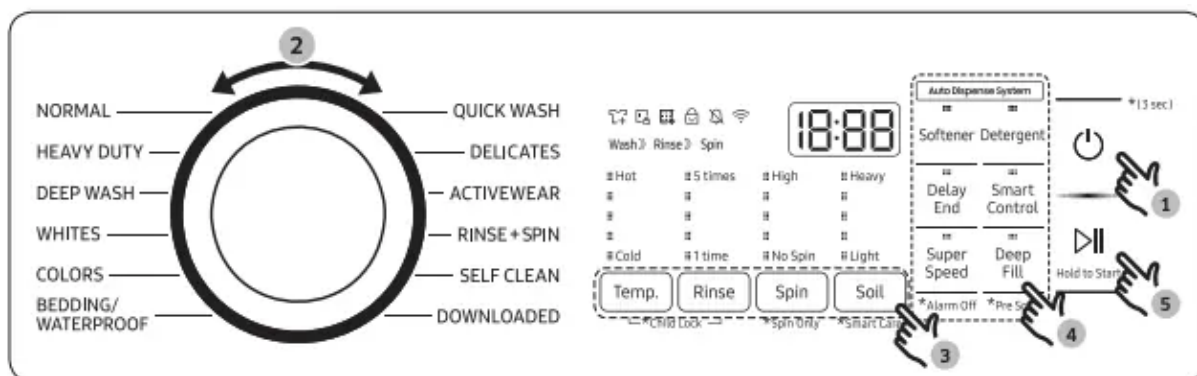
- This icon indicates that the alarm is off.



Wi-Fi

- This icon indicates that the washer is connected to Wi-Fi.

Simple steps to start



1. Press Power to turn on the washer.
2. Turn the Cycle Selector to select a cycle.
3. Change the cycle settings (Temp. , Rinse , Spin , and Soil) as necessary.
4. Select desired options as necessary.
5. Press and hold Start/Pause (Hold to Start) .

To change the cycle during operation

1. Press Start/Pause (Hold to Start) to stop operation.
2. Select a different cycle, and repeat steps 2-3 above if necessary.
3. Press and hold Start/Pause (Hold to Start) again to start the new cycle.

Cycle overview



NOTE

The washer detects the weight of the items and automatically adjusts the optimal water level, washing time, rinse counts, and spin counts. (This may not be applicable on some cycles.)

NORMAL

- For cottons, bed linens, table linens, underwear, towels, or shirts. The washing time and the number of rinses are automatically adjusted according to the load.

HEAVY DUTY

- For sturdy, colorfast fabrics, heavily soiled items.

DEEP WASH

- Use more water in washing and rinsing.

WHITES

- For white items. You can wash with or without bleach.

COLORS

- Featuring additional rinses and reduced spinning to ensure that the laundry is washed gently and rinsed thoroughly.

BEDDING/ WATERPROOF

- For bulky and large items, such as comforters, blankets, and sheets, and waterproof or water resistant items. When washing comforters, use liquid detergent.



CAUTION

- Do not wash waterproof items and non-waterproof items together.
- Check the specification label on each item to see if the item is waterproof.
- Use the BEDDING/WATERPROOF cycle for waterproof or water-resistant items such as plastic mats, ski pants, raincoats, and comforters which hardly absorb water.

QUICK WASH

- For lightly soiled garments needed quickly.
- For best performance, recommended load is 4 lb. or lower.

DELICATES

- For sheer fabrics, bras, lingerie (silk), and other handwashonly fabrics.
- For best performance, use liquid detergents.

ACTIVEWEAR

- For exercise wear such as sports jerseys, training pants, shirts/tops and other performance clothing. This cycle provides effective soil removal with gentle action for special fabric care.

RINSE+SPIN

- For loads that need rinsing and spinning only.
- You can also select this cycle for additional rinsing and spinning after running other cycles.

SELF CLEAN

- Cleans the drum by removing dirt and bacteria from the drum.
- Perform once every 20 washes.
- Make sure the drum is empty.

DOWNLOADED

- Select to choose from more cycles available on the SmartThings app on your smartphone.
- Available cycles: PREM PRESS , WOOL , ECO COLD , DENIM , POWER RINSE .
- Factory setting: PREM PRESS .

Cycle chart

Use this chart to set the best cycle and options for you laundry.



NOTE

Setting	Temp.	Rinse	Spin	Soil
● : factory setting	5: Hot (Level 5)	5: 5 times (Level 5)	5: High (Level 5)	5: Heavy (Level 5)
○ : can be selected	4: (Level 4)	4: (Level 4)	4: (Level 4)	4: (Level 4)
	3: (Level 3)	3: (Level 3)	3: (Level 3)	3: (Level 3)
	2: (Level 2)	2: (Level 2)	2: (Level 2)	2: (Level 2)
	1: Cold (Level 1)	1: 1 time (Level 1)	1: No Spin (Level 1)	1: Light (Level 1)

Cycle	Temp.					Rinse					
	5	4	3	2	1	5	4	3	2	1	
NORMAL	○	●	○	○	○	○	○	○	○	○	●
HEAVY DUTY	●	○	○	○	○	○	○	○	○	○	●
DEEP WASH	○	●	○	○	○	○	○	○	○	○	●
WHITES	●	○	○	○	○	○	○	○	○	●	○
COLORS	-	○	○	●	○	○	○	○	○	○	●
BEDDING/WATERPROOF	○	●	○	○	○	○	○	○	○	●	○
QUICK WASH	○	●	○	○	○	○	○	○	○	○	●
DELICATES	-	○	○	●	○	○	○	○	○	○	●
ACTIVEWEAR	-	○	●	○	○	○	○	○	○	○	●
RINSE+SPIN	-	-	-	-	-	○	○	○	○	○	●
SELF CLEAN	●	-	-	-	-	-	-	-	-	●	-

Cycle	Spin					Soil				
	5	4	3	2	1	5	4	3	2	1
NORMAL	○	●	○	-	○	○	○	●	○	○
HEAVY DUTY	○	●	○	○	○	●	○	○	○	○
DEEP WASH	○	●	○	○	○	○	○	●	○	○
WHITES	○	●	○	○	○	●	○	○	○	○
COLORS	○	●	○	○	○	○	○	●	○	○
BEDDING/WATERPROOF	-	○	●	○	○	○	○	●	○	○
QUICK WASH	○	●	○	○	○	○	○	○	○	●
DELICATES	-	-	○	●	○	-	-	-	-	●
ACTIVEWEAR	-	○	●	○	○	-	-	○	●	○
RINSE+SPIN	○	●	○	○	○	-	-	-	-	-
SELF CLEAN	-	-	●	-	-	-	-	-	-	-

Cycle	Options			
	Pre Soak	Fabric Softener	Deep Fill	Super Speed
NORMAL	○	○	-	○
HEAVY DUTY	○	○	○	○
DEEP WASH	○	○	○	-
WHITES	○	○	○	○
COLORS	-	○	○	-
BEDDING/WATERPROOF	○	○	-	-
QUICK WASH	-	○	○	-
DELICATES	-	○	○	-
ACTIVEWEAR	○	○	○	-
RINSE+SPIN	-	○	○	-
SELF CLEAN	-	-	-	-

Special features

Active Waterjet (for prewash)



You can use the Active Waterjetfunction to hand-wash your items before you put them in the washer.

1. Press Power to turn on your washer.
2. Open the lid.
3. Press Active Waterjet to supply water.
4. Hand-wash the items.
5. When done, press Active Waterjet again to stop the water.

 **NOTE**

If you want to hand-wash while the washer is operating, press Start/Pause (Hold to Start) to stop operation, and then follow steps 1-4 above.

 **NOTE**

- The Active Waterjetfunction stops operating automatically when the washer detects the maximum water level.
- The Active Waterjetfunction stops operating automatically 5 minutes after it begins. To add more water, press Active Waterjet again to resupply water.
- If the Active Waterjetfunction is activated immediately after the washer turns on, the washer will spray water for 1 second before supplying water through the Active Waterjet outlet.

- To drain water added by the Active Waterjetfunction, turn the power off. Water will be drained automatically for few minutes, and then you can turn the power on again when the water is completely drained.

CAUTION

- Do not block the Active Waterjet outlet with hands. Water may leak outside the tub, causing a system failure.
- Do not use the Active Waterjet to wash shoes, food, or pets.
- Due to differences in air pressure, water coming from the Active Waterjet may splatter when you first activate it.
- Make sure the lid is closed tightly before you start a load of laundry.

Delay End

You can set the washer to finish your wash automatically at a later time by choosing a delay of between 1 to 24 hours (in 1 hour increments). The hour displayed indicates the time the wash will finish.

1. Select a cycle. Then, change the cycle settings if necessary.
2. Press Delay End repeatedly until a desired end time is set.
3. Press and hold Start/Pause (Hold to Start) .
4. To cancel Delay End , restart the washer by pressing Power .

Real-life case

You want to finish a two-hour cycle 3 hours from now. To do this, you add the Delay End option to the current cycle with a 3-hour setting, and then press and hold Start/Pause (Hold to Start) at 2:00 pm. The washer starts operating at 3:00 pm and ends at 5:00 pm. Provided below is the time line for this example.



Alarm Off

You can turn the alarm sound on or off. When the alarm is off, the cycle completion melody and the power-off beep will not sound. However, button and alert sounds will remain on.


- To mute the alarm sound, press and hold Super Speed for 3 seconds.
- To unmute the alarm sound, press and hold again for 3 seconds.
- Your setting will be kept even after you turn off and then restart the machine.

Child Lock

The Child Lockfunction locks the washer door to prevent children from climbing into and suffocating inside the tub.

Activating the Child Lock function

Press and hold Temp. and Rinse simultaneously for approximately 3 seconds.


- When you activate the Child Lockfunction, the  Child Lock indicator blinks.

Using the Child Lock function

- If the lid is opened when the Child Lockfunction is on, “dC ” is displayed and an alarm sounds.
- If the water level in the tub is above the safe water level, “dC ” is displayed on the LED display and the washer starts to drain water by force after 30 seconds. If the water level in the tub is above the safe water level and the Child Lockfunction is turned on while the lid is open, “CL ” is displayed on the LED display, even if the washer is turned off, and the washer drains water by force.
- When Child Lockis on and the washer is off, if the water in the tub is above the safe water level and the lid is opened, “CL ” is displayed on the LED display. No alarm sounds, but the washer drains the water. When the draining operation finishes, the power automatically turns off again.
- If you activate the Child Lockfunction, the Start/Pause (Hold to Start) button will not work while the washer is running. To use the Start/Pause (Hold to Start) button, deactivate the Child Lockfunction first.
- After the compulsory drain, “CL ” blinks at 1 second intervals and the washer enters the “CL ” mode. (When the washer is in the “CL ” mode, only the Power button works.)
- To cancel the “CL ” mode, turn the power off and then on again.
- To cancel the “dC ” mode, deactivate the Child Lockfunction. To deactivate the Child Lockfunction, press and hold Temp. and Rinse simultaneously for at least 3 seconds.

Deactivating the Child Lock function

Press and hold both Temp. and Rinse simultaneously for approximately 3 seconds.

- When you deactivate the Child Lockfunction, the  Child Lock indicator is turned off.
- The Child Lockfunction prevents children or the infirm from accidentally operating the washer and injuring themselves.

WARNING

If a child enters the washer, the child may become trapped and suffocate.

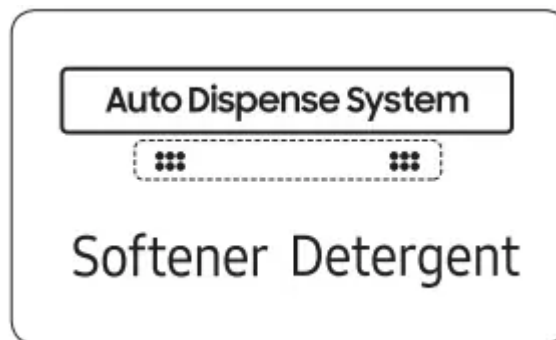
CAUTION

- Once you have activated the Child Lockfunction, it continues working even if the power is turned off.
- Forcing the lid open can result in injury or damage to the product.

NOTE

To add laundry after you have activated the Child Lockfunction, you must first deactivate the Child Lockfunction.





Auto dispense



The LEDs on the Detergent and Softener buttons indicate whether the auto dispense system is on or off. If the LED on the button is off, press the button to turn on the dispenser system by setting the dosage level. You can also use the buttons to set the concentration level of detergent and softener. Refer to the following instructions to set the dosage level and the concentration level. The Auto Dispense System does not work if the LEDs on the buttons are off.

Dosage level setting




Press Detergent or Softener to select the desired dosage level.

- You can select from  (Less),  (Standard), or  (More),  (Off).

Concentration level setting

1 Press and hold Detergent or Softener for 3 seconds to enter the concentration level setting.

2 Press Detergent or Softener to select the desired concentration level.

- You can select from  (Normal),  (x2), or  (x3).

3 When complete, press and hold Detergent or Softener for 3 seconds to confirm your changes.

 **NOTE**

- If the Softener or Detergent button's LED blinks, refill the corresponding compartment.
- To determine your water hardness, contact your local water municipality provider. For well water, conduct a water hardness test.

Maintenance

Keep the washer clean for best performance and to lengthen its life cycle.

 **WARNING**

Certain internal parts are intentionally not grounded and may present a risk of electric shock only during servicing. Service personnel – Do not contact the following parts while the appliance is energized: Control board, heat sink, motor, inlet valve, heater, and pump.

Self Clean

Certain usage and environmental conditions may result in some residue build-up or odor in the washer tub. To prevent this build-up of residue or odor causing bacteria and keep your washer tub fresh and clean, perform the SELF CLEANcycle at least once a month or every 20 cycles. Perform the recommended procedure below when using the SELF CLEAN cycle.

Check the washer tub before using the SELF CLEANcycle. Remove any remaining water in the tub by running a Spin Onlysetting cycle (page 39) prior to starting the SELF CLEAN cycle.

1. Remove all items from the washer tub and ensure the tub is empty. Laundry left in the tub during the SELF CLEANcycle may be damaged.
2. Press Power to turn on the washer.
3. Turn the Cycle Selector to SELF CLEAN .
4. Press and hold Start/Pause (Hold to Start) .

NOTE

- The water temperature for SELF CLEANis defaulted to Hot. This temperature cannot be changed.
- In the case where residue is present in the washer tub, add 1 cup (8 fl.oz, 240ml) of liquid chlorine bleach to the bleach compartment before you start the SELF CLEAN cycle.
- Do not use or mix any other detergent or chemicals during the SELF CLEANcycle. If necessary, run a RINSE+SPINcycle after the SELF CLEANcycle has completed to help remove any remaining residue.

 **CAUTION**

- Check the washer tub before using the SELF CLEANcycle. Remove any remaining water in the tub by running a SPIN ONLYcycle prior to starting the SELF CLEANcycle.
- If there is chlorine bleach left in the washer tub for an extended period of time, rust can occur.

SELF CLEAN reminder

- After 20 washing cycles, the SELF CLEANLED reminder icon and the SELF CLEANcycle LED will blink on the control panel for an hour and then turn off automatically.
- The reminder will appear on the control panel for 5 additional consecutive cycles before turning off. The next reminder will not appear until another 20 cycles have been completed.

Cleaning the exterior

1. Turn off the water taps after finishing the day's washing. This will shut off the water supply to your washer and prevent the unlikely possibility of damage from escaping water. Leave the lid open to allow the inside of your washer to dry out.
2. Use a soft cloth to wipe up all detergent, bleach, or other spills as they occur. Clean the following as recommended below:
 - Control Panel – Clean with a soft, damp cloth. Do not use abrasive powders or cleaning pads. Do not spray cleaners directly on the panel.
 - Cabinet – Clean with soap and water.

Cleaning the interior

Clean the interior of your washer periodically to remove any dirt, soil, odor, mold, mildew, or bacterial residue that may remain in your washer as a result of washing clothes.

 **CAUTION**

Failure to follow these instructions may result in unpleasant conditions, including odors and/or permanent stains on your washer or laundry.

 **NOTE**

Hard water deposits may be removed, if needed. Use a cleaner labeled "Washer safe".

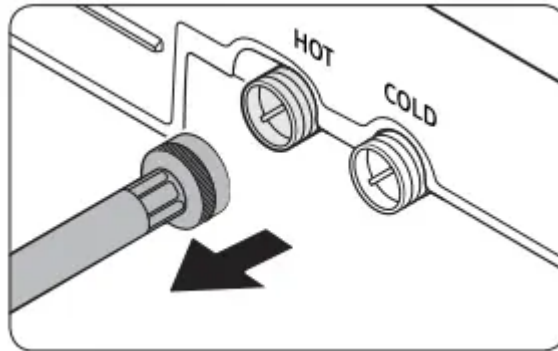
Care for an extended period of non-use

Avoid leaving the washer unused for an extended time. However, if you intend to leave the washer unused for a long period of time, follow the directions below:

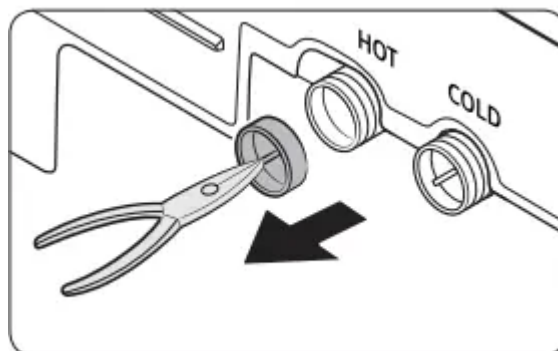
1. Press Power , and then turn the Cycle Selector to QUICK WASH .
2. Empty the drum, and then press and hold Start/Pause (Hold to Start) .
3. When the cycle is complete, close the water taps and disconnect the water hoses.
4. Turn off the washer, and then unplug the power cord.
5. Open the door to let air circulate through the drum.

Cleaning the mesh filter

Clean the mesh filters in the water inlets once or twice a year




1. Turn off the washer, and then unplug the power cord.
2. Close the water taps.
3. Loosen and disconnect the water hoses from the back of the washer. Cover the end of each hose with a cloth or towel to prevent water from gushing out.



4. Use pliers to pull out the mesh filter from the inlet valves.
5. Thoroughly clean the mesh filters in water.
6. Completely dry the mesh filters. Do not dry in direct sunlight.
7. Reinsert the mesh filters, and then reconnect the water hoses.

8. Open the water taps.

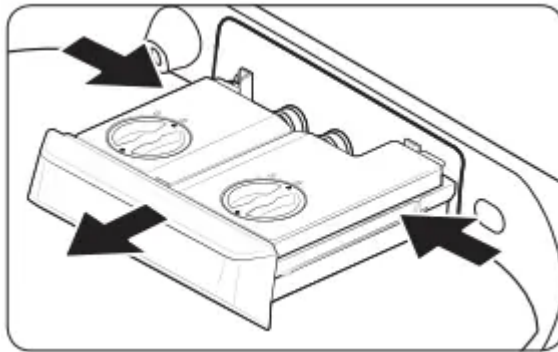
 **NOTE** If a mesh filter is clogged, the “4C ” information code appears on the washer’s display screen.

Cleaning the detergent drawer

To prevent the detergent residue buildup in the detergent drawer, clean the detergent/ softener compartments once or twice a month, and whenever you refill or change the detergent or softener.

CAUTION

- Make sure to turn off the washer and unplug the power cord before cleaning.
- If you are not going to use the washer for a long time, empty the detergent/softener compartments and clean them thoroughly.
- While cleaning, do not carry individually-removed compartments. Transport the compartments in the detergent drawer to prevent the contents from spilling. Put the compartments back in place after cleaning

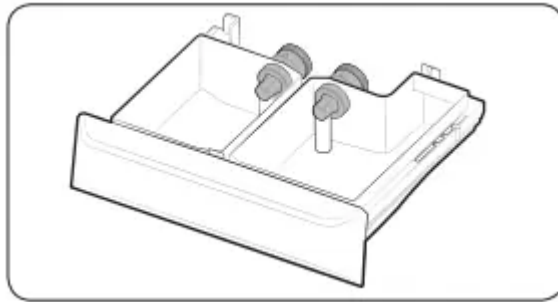



1. Fully pull out the detergent drawer. To remove, pull the detergent drawer while pushing the ends of each side in.



2. Remove the tops of both compartments using the pull tabs located on the back of the lid, then clean inside the compartments under warm running water with a soft brush.

- Wipe all components with a dry towel or cloth after cleaning.

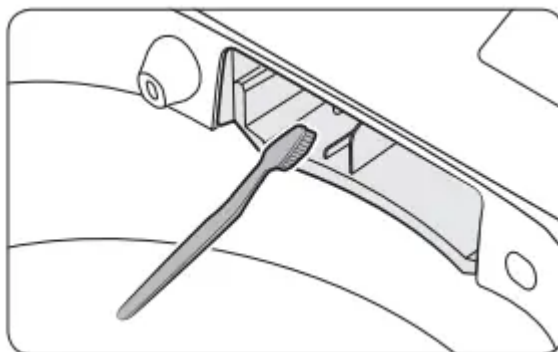


 **CAUTION** Do not disassemble the valves at the rear side of the detergent drawer.



 **NOTE**

If the cleaning agent in the compartment is hardened, open the compartment, and pour lukewarm water into the compartment to dissolve the hardened agents. Then, clean inside the compartment and its rear valve thoroughly.



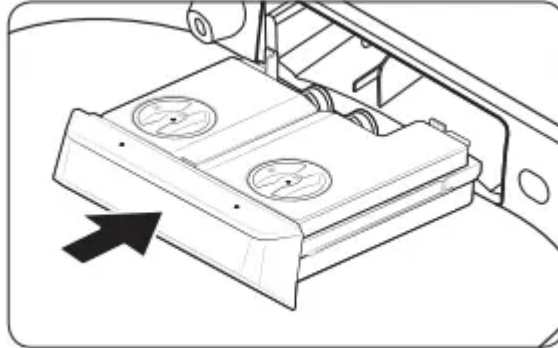
3. Clean the drawer recess using a soft brush to remove detergent residues and limescale on the drawer recess.

 **CAUTION**

Do not spray water into the detergent drawer recess. It may cause electronic shock or fire. Unplug power if necessary.

 **NOTE**

- Make sure the drawer recess is completely dry before inserting the detergent drawer.
- Tightly attach the tops of both compartments before inserting them back into the drawer.



4. Insert the detergent drawer back into the washer.

 **CAUTION**

Do not spray water into the detergent drawer recess. A wet detergent drawer recess may cause electric shock or fire. Unplug the power cord if necessary.

 **NOTE**

- Make sure the drawer recess is completely dry before inserting the detergent drawer.
- Tightly attach the tops of both compartments before inserting them back into the drawer.

Troubleshooting

Checkpoints

If you encounter a problem with the washer, first check the table below and try the suggestions.

Does not turn on.

- Make sure your home electrical system is providing electrical power that matches the requirements of the washer. See page 19.
- Make sure the power cord is completely plugged in.
- Check the fuse or reset the circuit breaker.
- If you have turned the power off to drain the water added by the Active Waterjetfunction, power does not turn on until the water is completely drained.

Does not start.

- Make sure the door is closed.
- Make sure the water taps are open.

- Make sure to press or tap Start/Pause (Hold to Start) to start the washing machine.
- Make sure Child Lock is not activated.
- Before the washing machine starts to fill, it will make a series of clicking noises to check the door lock, and then does a quick drain.
- Was the door opened during the spinning cycle? Close the door, and then press or tap Start/Pause (Hold to Start) to resume.
- The machine has entered Standby, has paused, or is in a soaking cycle. Please wait.
- Check the fuse or reset the circuit breaker.

Water is not supplied.

- Make sure you press or tap Start/Pause (Hold to Start) after selecting the cycle and options.
- Make sure the water taps are open.
- Are the mesh filters in the water inlets clogged? Clean the mesh filters by brushing with a toothbrush. See page 57.
- Is the water supply cut off? If the water supply is cut off, close the tap and power off.
- Straighten the water supply hoses.
- Open and close the door, and then press or tap Start/Pause (Hold to Start) .
- If the water pressure is low, it takes longer to start washing.
- If the water level is not as high as necessary or lower than expected, use the level selector to adjust the water level.

After a cycle, detergent remains in the automatic dispenser.

- Make sure the washing machine is running with sufficient water pressure.
- Make sure the detergent drawer is properly inserted.
- Remove and clean the detergent drawer, and then try again.

Vibrates excessively or makes noise.

- Make sure the washing machine is on a level floor. If the floor is not level, use the levelling feet to adjust the washing machine.
- Make sure the washing machine is not contacting any other object.
- Make sure the laundry load is balanced.
- Make sure the laundry is spread evenly in the washing machine. Spread out the laundry evenly and start again.
- Make sure the space around the washing machine is free of objects.
- Humming is produced normally during operation.

- Objects such as coins can cause noise. Remove these objects from the washing machine after washing is complete.

Stops.

- Make sure the washer's power cord is fully plugged in and the circuit is live.
- Check the fuse or reset the circuit breaker.
- Close the door, and then press or tap Start/Pause (Hold to Start) to start the washing machine. For your safety, the washing machine will not spin unless the door is closed.
- Before the washing machine starts to fill, it will make a series of clicking noises to check the door lock, and then does a quick drain.
- There may be a pause or soak period in the cycle. Wait briefly and the washing machine may start.
- Make sure the inlet hose filters at the taps are not clogged. Periodically clean the filters. See page 57.
- This problem can occur temporarily due to low voltage in your household electrical system. It will be resolved when the voltage returns to normal.

Fills with the wrong temperature water.

- Fully open both water taps.
- Make sure the temperature selection is correct.
- Make sure the hoses are connected to the correct water taps. Flush the water lines.
- Disconnect the hoses and clean the mesh filters. The water inlet mesh filters may be clogged. See page 57.
- While the washing machine fills, the water temperature may change as the automatic temperature control feature checks incoming water temperature. This is normal.
- While the washing machine fills, you may notice just hot and/or just cold water going through the dispenser when cold or warm temperatures are selected. This is a normal function of the automatic temperature control feature as the washing machine determines the water temperature.

Door (Lid) locked or will not open.

- While the washing machine is operating, press or tap Start/Pause (Hold to Start) to stop the washing machine.
- It may take a few moments for the door lock mechanism to disengage.

Does not drain and/or spin.

- Check the fuse or reset the circuit breaker.
- Make sure the electrical voltage is normal.
- Make sure the washing machine is plugged in.

- Make sure the drain hose is pointed downward. (Natural drain models only)
- Make sure the drain hose is not clogged.
- Make sure the drain hose is not kinked.
- Straighten the drain hose. If there is a drain restriction, call for service.
- Close the door, and then press or tap Start/Pause (Hold to Start) . For your safety, the washing machine will not spin unless the door is closed.

Load is wet at the end of the cycle.

- Use the High or Extra High spin speed cycle. (Applicable model only)
- Use high efficiency (HE) detergent to reduce oversudsing.
- The load is too small. Small loads (one or two items) may become unbalanced and not spin completely.

Leaks water.

- Make sure all hose connections are tight.
- Make sure the water supply hoses' rubber washers are in the correct position. Screw the hoses on tightly again. See pages 22 through 25.
- Make sure the end of the drain hose is correctly inserted and secured to the drain system.
- Avoid overloading.
- Use high efficiency (HE) detergent to prevent oversudsing.
- Make sure the water supply hose is not kinked.
- If the water supply pressure is too strong, water may leak. Close the water tap a little.
- Make sure water is not leaking from the water tap. If it is, repair the water tap.

Excessive suds.

- Use high efficiency (HE) detergent to prevent oversudsing.
- Reduce the detergent amount for soft water, small loads, or lightly soiled loads.
- Don't use Non-HE detergent.

The spin basket or drain/supply hose is frozen.

- Use warm water to help loosen the water supply hoses and drain hose, and then disconnect them. Soak them in warm water.
- Fill the spin basket with warm water, and then wait for about 10 minutes.
- Put a hot towel on the drain hose connector.
- Reconnect the water supply hoses and drain hose, and then check if water is supplied properly.

Water drains out immediately.

- Make sure the drain hose is not clogged, and is hung over the drain hose hook. Fill the spin basket halfway with water, and try spinning again.
- Lift the end of the drain hose to prevent water from draining. Fill the spin basket halfway with water, and then run the Spin cycle after releasing the drain hose.
- Make sure the drain hose is installed correctly. See pages 25 and 26. Adjust the position of the drain hose as instructed.

Stains on clothes.

- Select an appropriate cycle for the laundry. Use the HEAVY DUTY cycle for stained clothes.
- Apply a recommended amount of detergent as instructed by the detergent manufacturer.
- Clean the magic filter (if it comes with your washer) on a regular basis.

Has odors.

- Excessive suds collect in recesses and can cause foul odors.
- Run a SELF CLEAN cycle to sanitize periodically.
- Dry the washing machine interior after a cycle has finished.


If a problem persists, contact a local Samsung service center.

Information codes

The washer may display information codes to help you understand what is occurring with your washer better.

1C - The Water Level sensor is not working properly.

- Turn off the washer, unplug it, wait 30 seconds, and then plug the washer in again. If the information code remains, contact a Samsung customer service center.

 **NOTE** If the washer displays “1C”, the washer will automatically drain for 3 minutes. During this time, the Power button is inoperative.

3C - Check the motor for operation.

- Try restarting the cycle.
- If the problem continues, call for service.

4C - Water is not supplied.

- Make sure the water taps are open.
- Make sure the water hoses are not clogged.
- Make sure the water taps are not frozen.

- Make sure the washing machine is operating with sufficient water pressure.
- Make sure that the cold water tap and the hot water tap are properly connected.
- Clean the mesh filter as it may be clogged.
- Make sure water hoses are not kinked.

 **NOTE**

If the washer displays “4C”, the washer will automatically drain for 3 minutes. During this time, the Power button is inoperative.

4C2

- Make sure the cold water supply hose is firmly connected to the cold water tap. If it is connected to the hot water tap, laundry may be damaged when some cycles are run.

5C - Water is not draining.

- Make sure the drain hose is not frozen or clogged.
- Make sure the drain hose is positioned correctly, depending on the connection type.
- Clean the mesh debris filter as it may be clogged.
- Make sure the drain hose is straight all the way to the drain system.
- Turn off the washer, unplug it, wait one minute, and then plug the washer in again. If the information code remains, contact a Samsung customer service center.

9C1 - The electronic control needs to be checked (Over Voltage Error).

- Check if power is supplied properly.
- Turn off the washer, unplug it, wait one minute, and then plug the washer in again. If the information code remains, contact a Samsung customer service center.

9C2 - Low voltage detected.

- Check if the power cord is plugged in.
- Turn off the washer, unplug it, wait one minute, and then plug the washer in again. If the information code remains, contact a Samsung customer service center.

AC6 - Inverter Communication problem.

- Turn off the washer, unplug it, wait one minute, and then plug the washer in again. If the information code remains, contact a Samsung customer service center.

dC - Operating the washer with the door open.

- Make sure the door is properly closed.
- Make sure laundry is not caught in the door.

HC - High temperature heating check

- Turn off the washer, unplug it, wait one minute, and then plug the washer in again. If the information code remains, contact a Samsung customer service center.

LC - Check the drain hose.

- Make sure the end of the drain hose is positioned correctly.
- Make sure the drain hose is not clogged.
- Turn off the washer, unplug it, wait one minute, and then plug the washer in again. If the information code remains, contact a Samsung customer service center.

NOTE

When the washer displays “LC ”, the washer drains for 3 minutes. During this time, the Power button is inoperative.

OC - Water overflowed.

- Restart after spinning.
- Turn off the washer, unplug it, wait one minute, and then plug the washer in again. If the information code remains, contact a Samsung customer service center.

PC - When position of the clutch can't be detected.

- Turn off the washer, unplug it, wait one minute, and then plug the washer in again. If the information code remains, contact a Samsung customer service center.

PC1 - After position of the clutch is detected, if the signal from the clutch hall is incorrect.

- Turn off the washer, unplug it, wait one minute, and then plug the washer in again. If the information code remains, contact a Samsung customer service center.

Ub - Spinning does not work.

- Make sure laundry is spread out evenly.
- Make sure the washing machine is on a flat, stable surface.
- Redistribute the load. If only one item of clothing needs washing, such as a bathrobe or pair of jeans, the final spin result might be unsatisfactory, and a “ Ub ” check message will appear in the display.

Ur - Display for additional rinsing

- Appears when additional rinsing cycle senses that tub is unbalanced.
- Press any button/key to release the display.

8C - Check the MEMS sensor.

- Power the washer off. Wait 2-3 minutes, power the washer on, and then try again.
- If the problem continues, call for service.

SDC

- The detergent drawer is not completely closed. You will hear a clicksound when the drawer is properly closed. Close the detergent drawer until it clicks before you start the washer.

For any codes not listed above, call 1-800-726-7864 (1-800-SAMSUNG).

Warning

This content is compiled from multiple sources and is provided for reference purposes only. It may not be complete or fully applicable to all situations. If you are unable to resolve your issue, please contact the product manufacturer or an authorized service provider for official support.

Document generated by [ManualsFile](#)