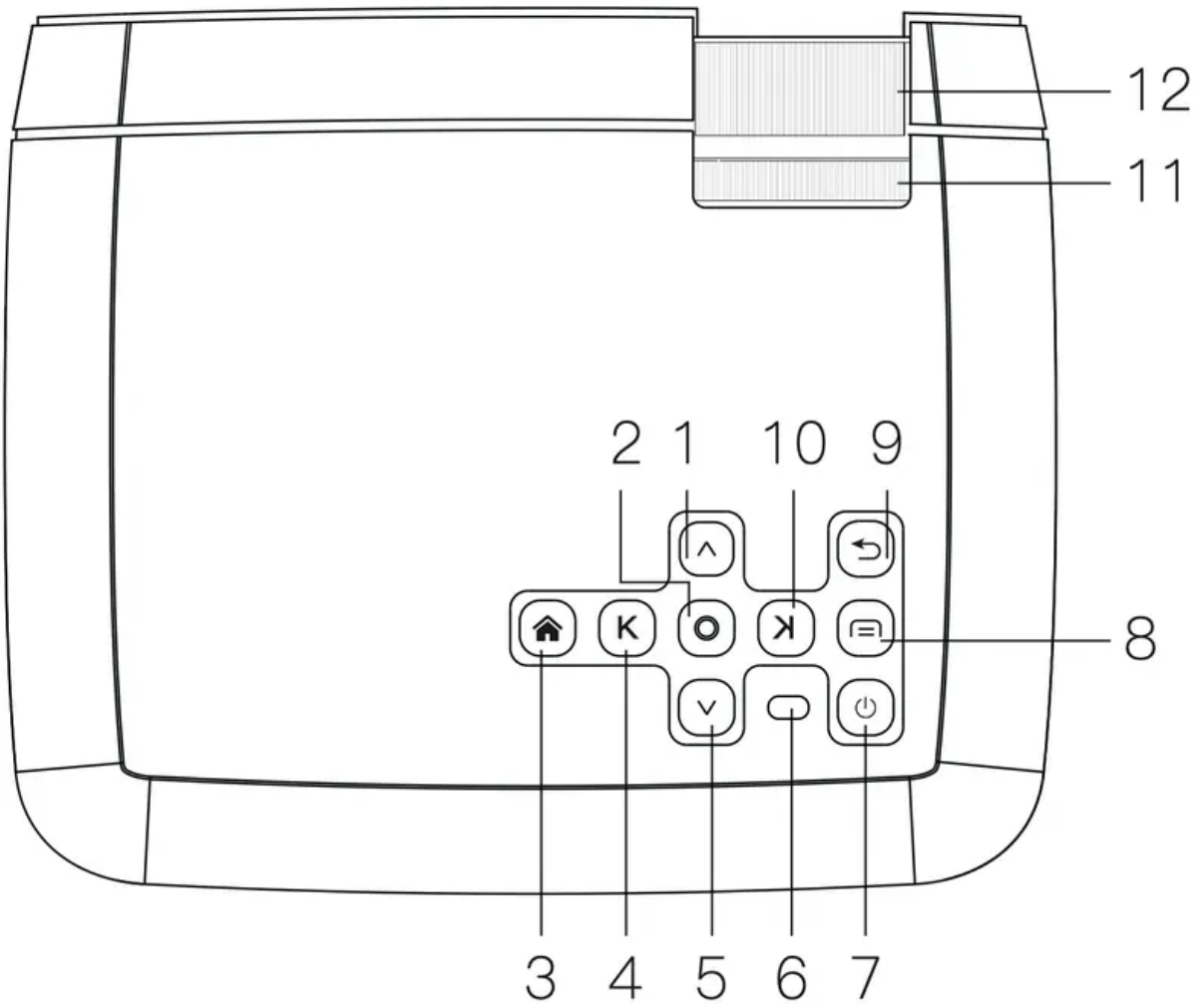
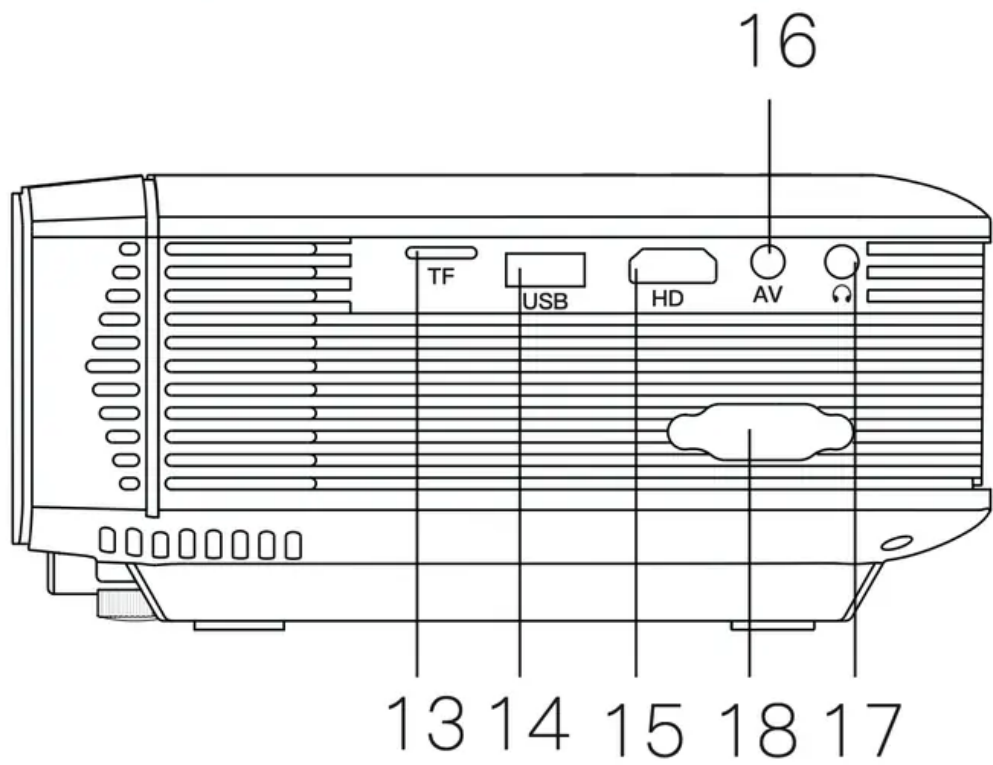
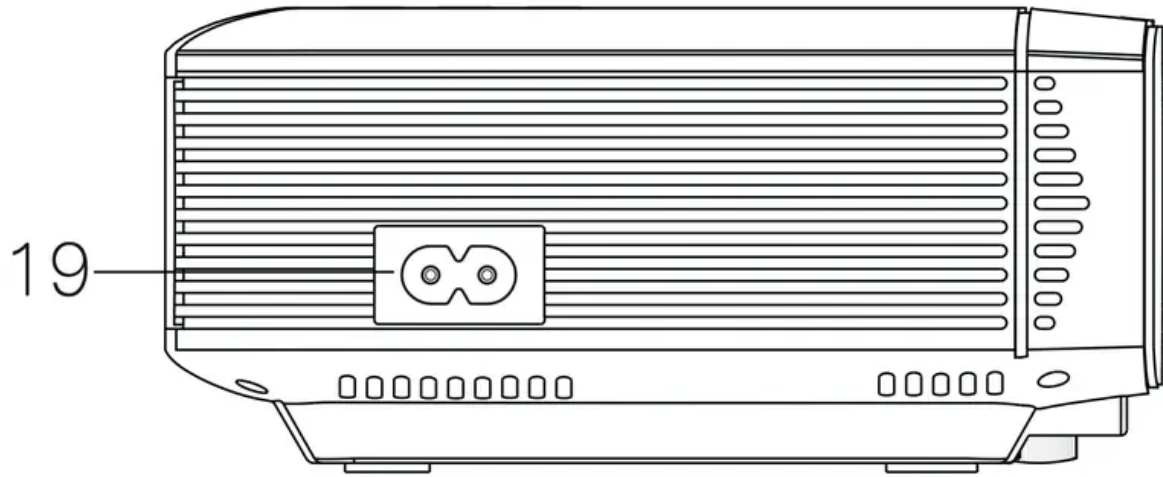
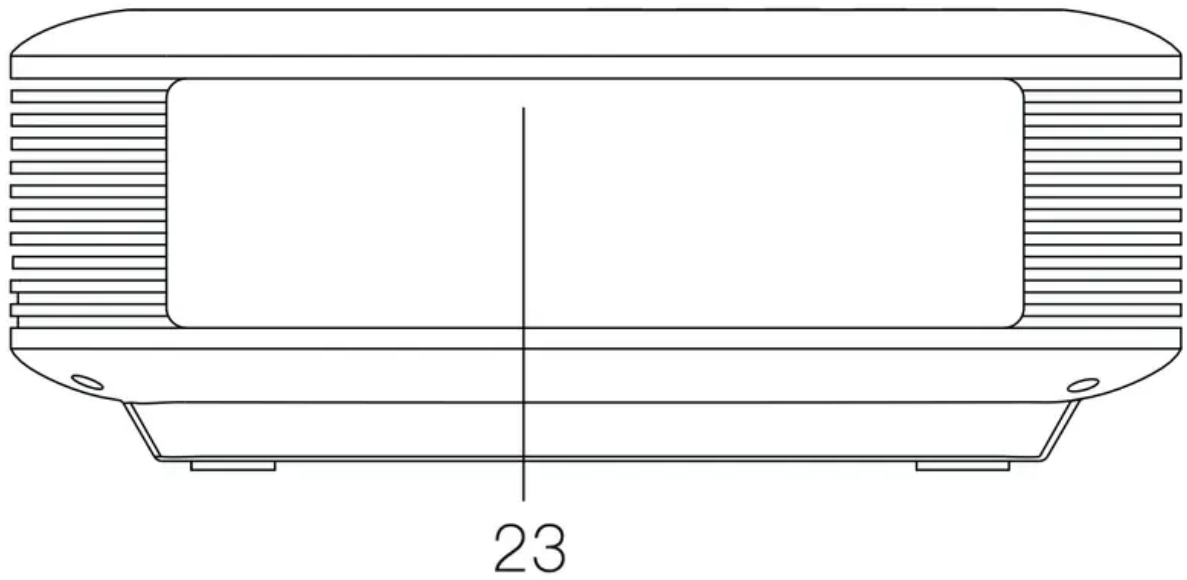
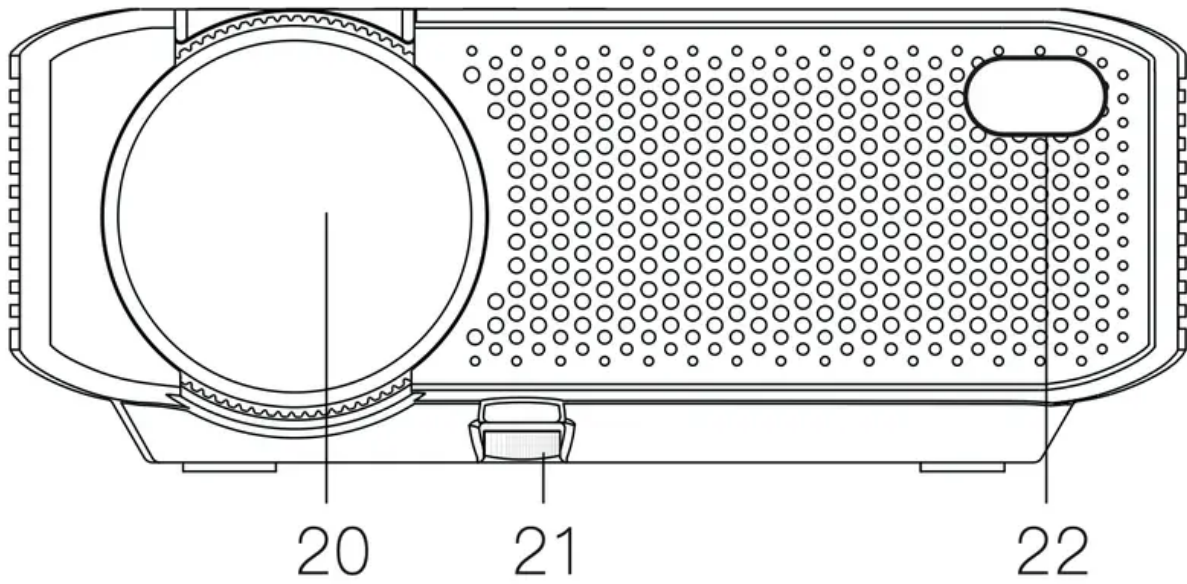


Keys Introduction

Machine buttons







1. Up
2. OK
3. Home
4. Left
5. Down
6. Indicator
7. Power Switch
8. Menu
9. Return
10. Right
11. Keystone Wheel



12. Focus Wheel
13. TF Card Slot
14. USB Input
15. HDMI Interface
16. AV Input
17. Audio Output
18. VGA Input
19. Power Input
20. Lens
21. Height Adjustment Nut
22. IR Lamp
23. Speaker

Remote Controller



1



2



3



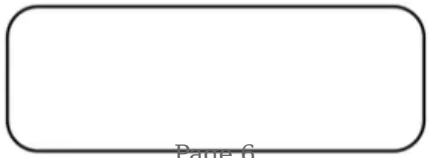
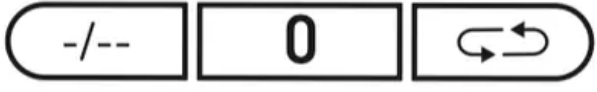
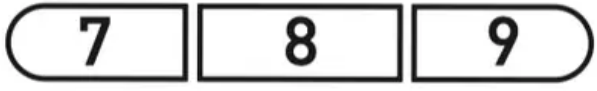
4

5



7

6



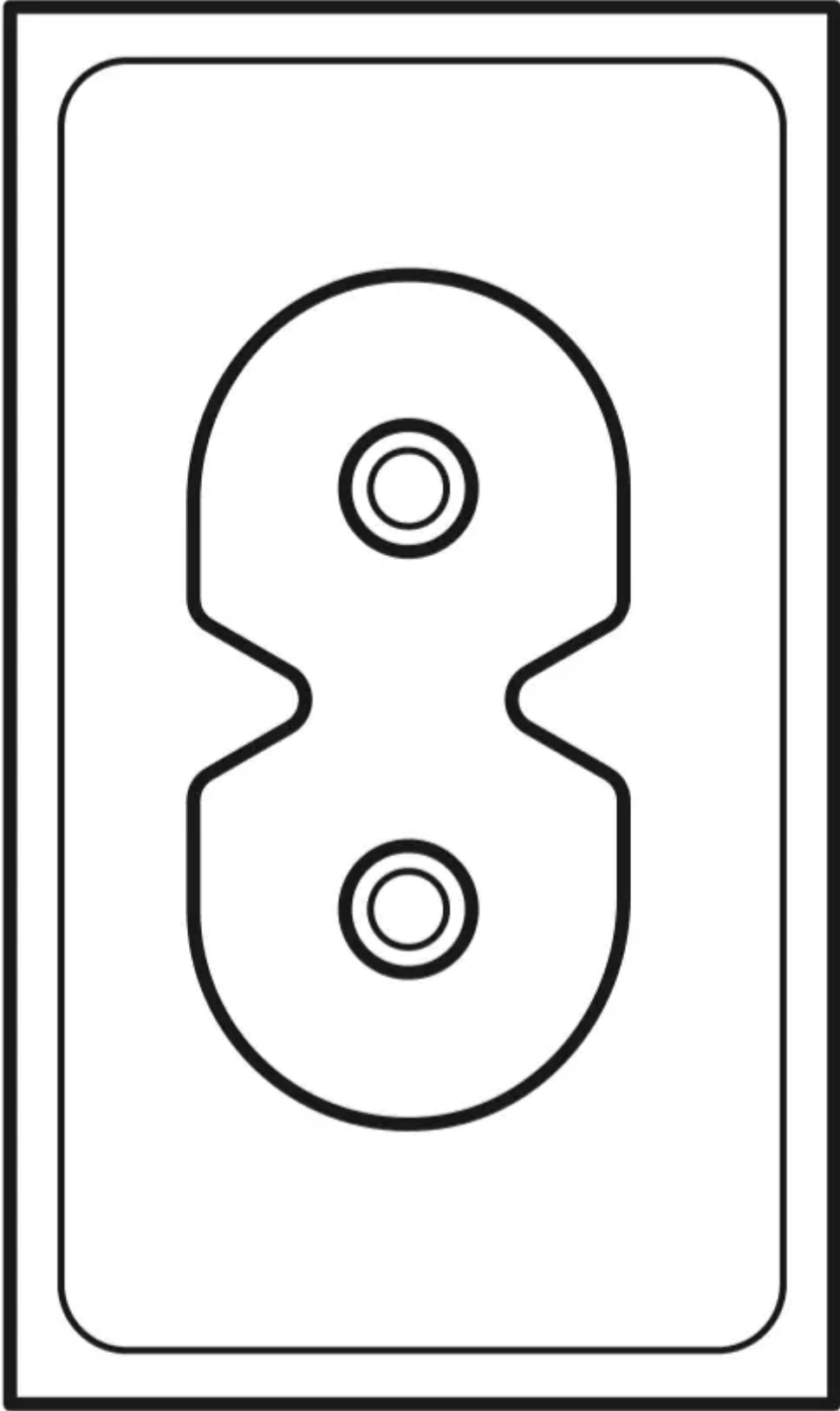
1. Power
2. Mute
3. Search
4. Skip
5. Play/Pause
6. Stop
7. Volume

Notes:

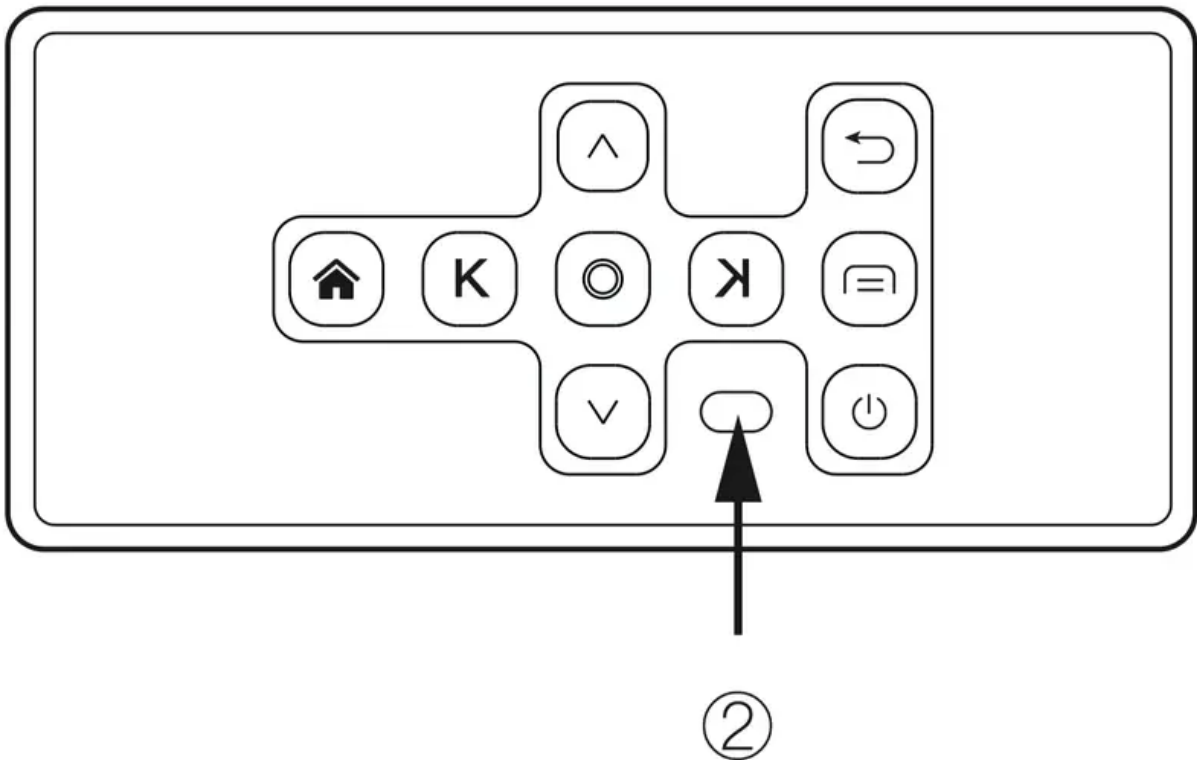
1. Do not combine new batteries with old ones in remote controller, which can cause operation failure due to insufficient power supply.
2. When using the remote controller, please make sure that the signal transmitter of the remote controller aims at infrared signal receiver of the projector.
3. If you are not using the remote controller for an extended period, please take out batteries to prevent battery leakage.

Operation

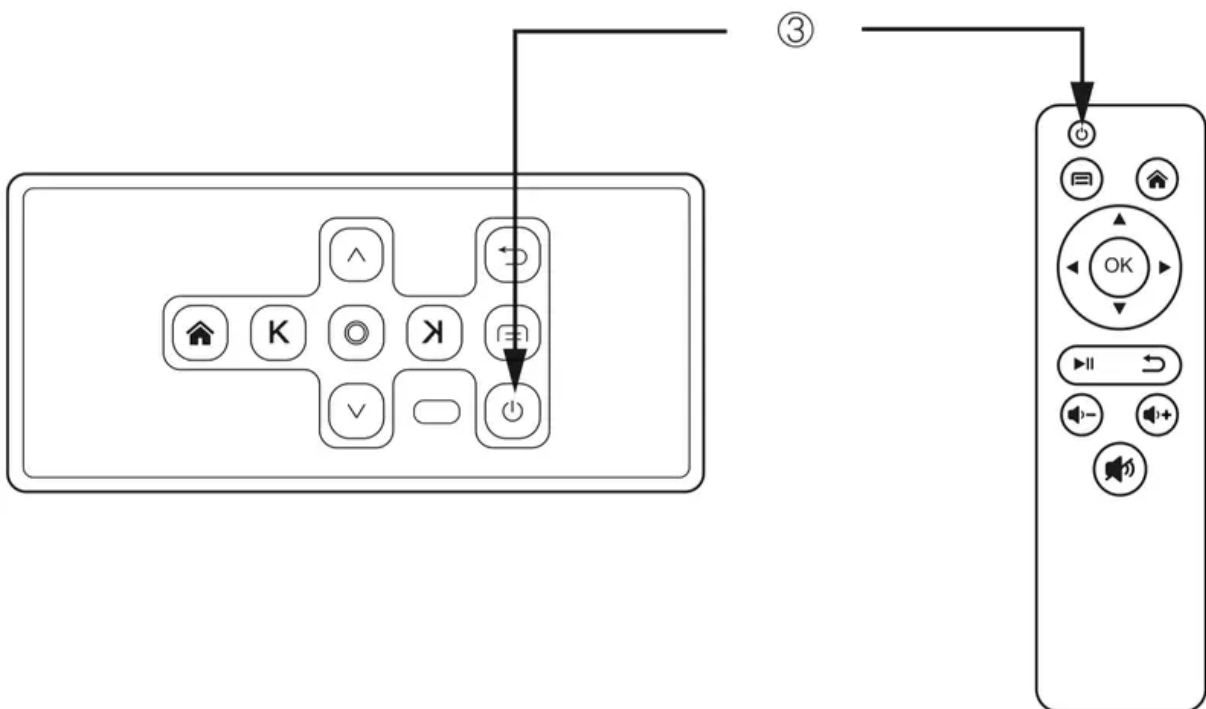
- As shown in Picture 1, connect the included AC power cord to the power input port of the projector.



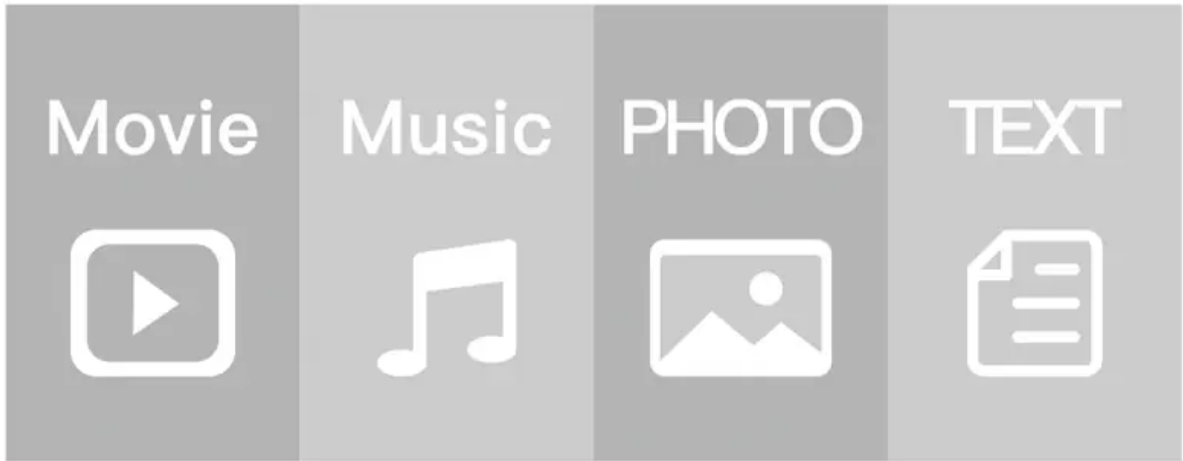
- As shown in Picture 2, projector gets into standby as the indicator on the top of the projector lighted up in red.



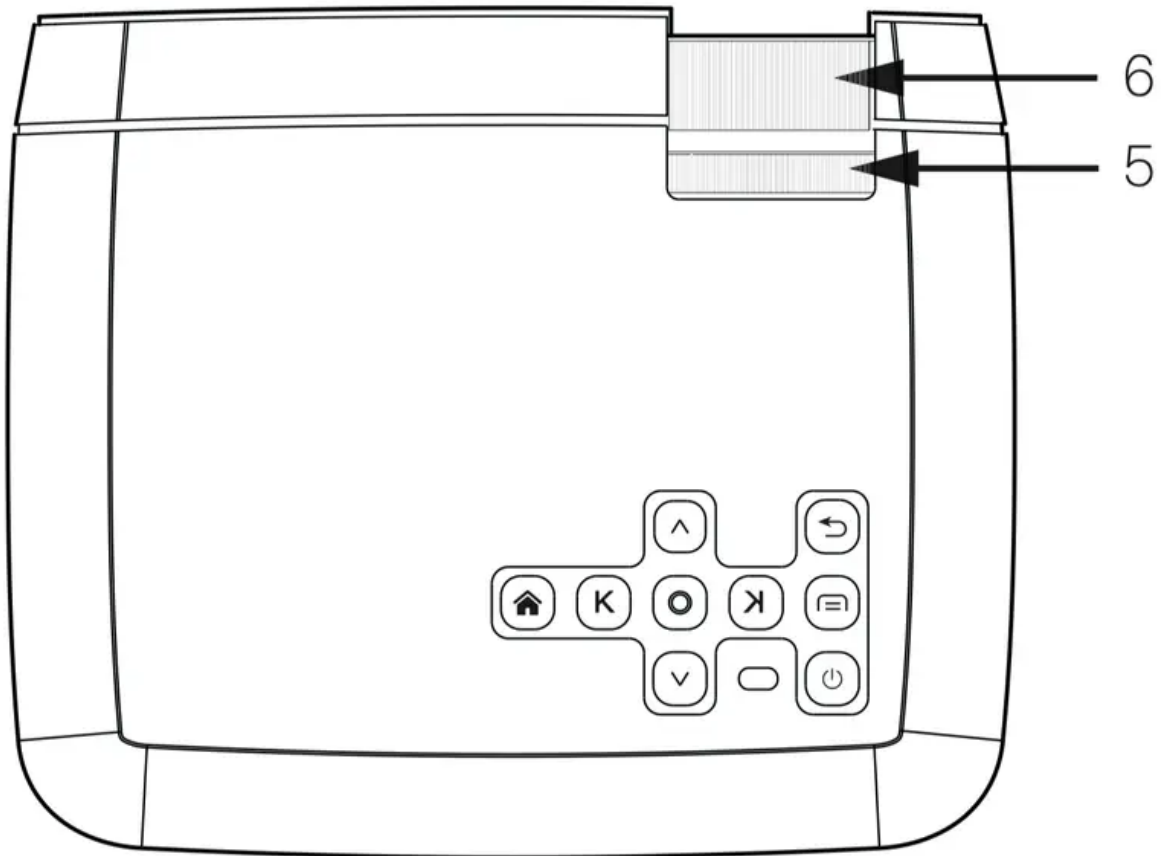
- As shown in Picture 3, turn on the projector by pressing the power switch button or remote controller. Start-up successes, indicator turns blue.



- As shown in Picture 4, main screen appears after starting up.




- As shown in Picture 5 and 6, adjust keystone correction and lens focus thumb wheels until you have a clear picture.

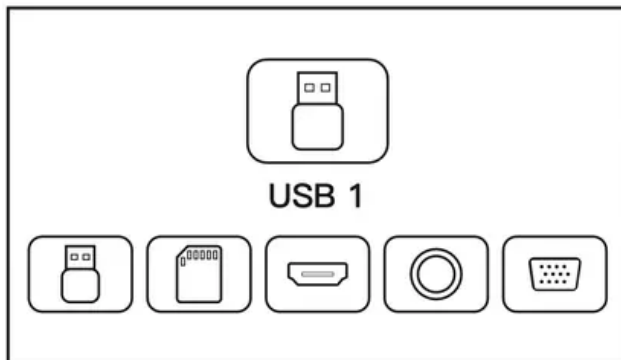
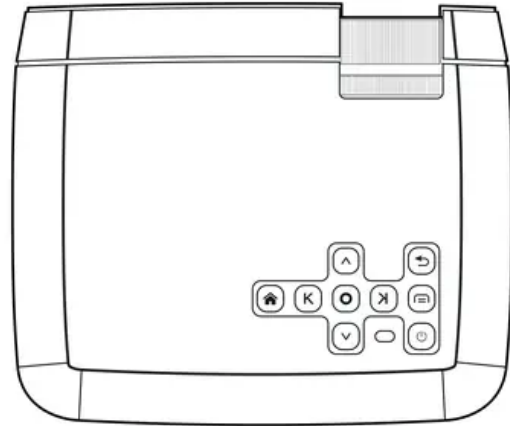
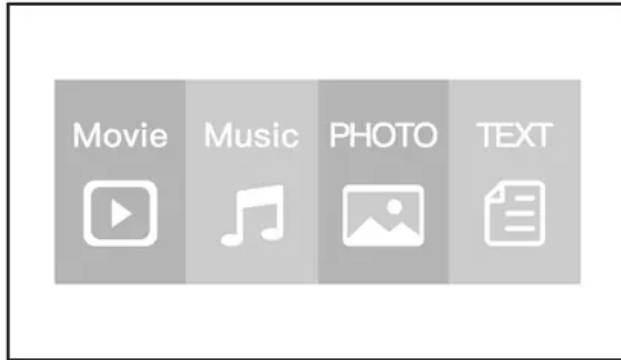


Connection Instructions

Select an input source.

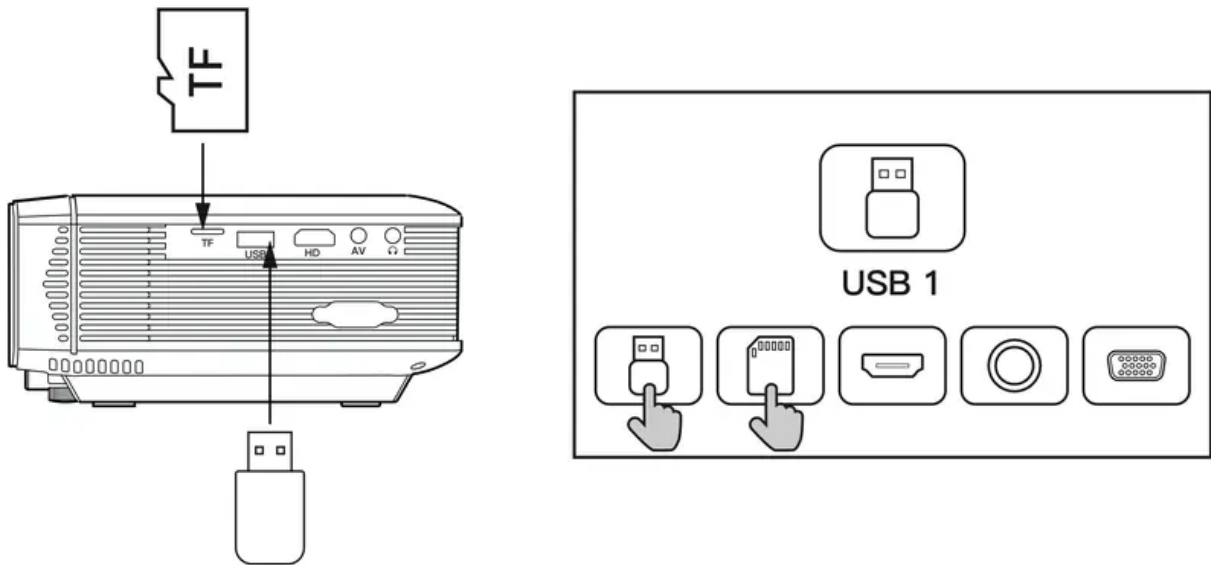
- When projector turns on, main screen appears as shown below. Video, Music, Picture, and Text files are available.

- You can choose USB/TF/HDMI/VGA/AV different sources in, by touch "  " at projector touch panel, or remote controller.
- You can connect different devices with the projector , according to the following connection instruction.



Multimedia connection

- Put USB / Micro SD card into corresponding ports (as shown in picture).
- Select "Video", "Music", "Picture", or "Text" to enter the content you want to play.

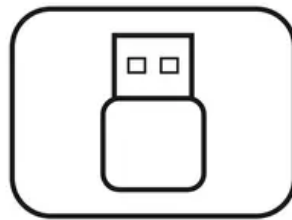
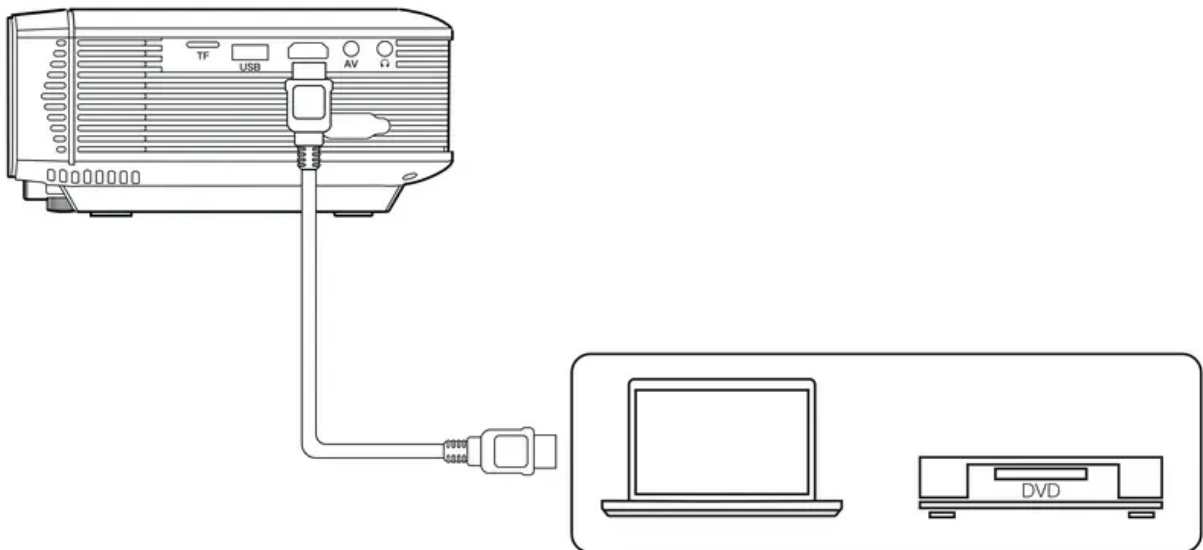


File Type	Format
Video	MP4/AVI/WMV/RMVB
Music	MP3/WMA/OGG/AAC/FLAC/APE/WAV
Picture	JPEG/BMP/PNG
Text	.txt

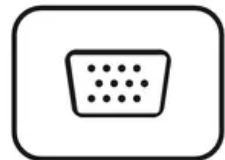
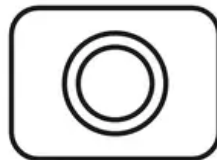
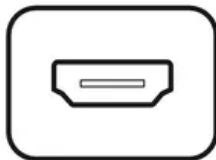
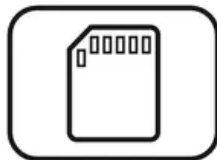
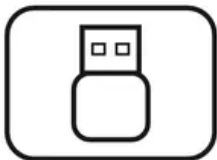
HDMI device connection

Projector can connect to devices with HDMI output function. Compatible with Laptop, DVD players, Blu-ray players, Chromecast, TV Stick, and etc.. HDMI cable is included.





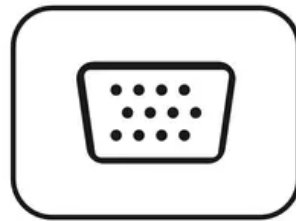
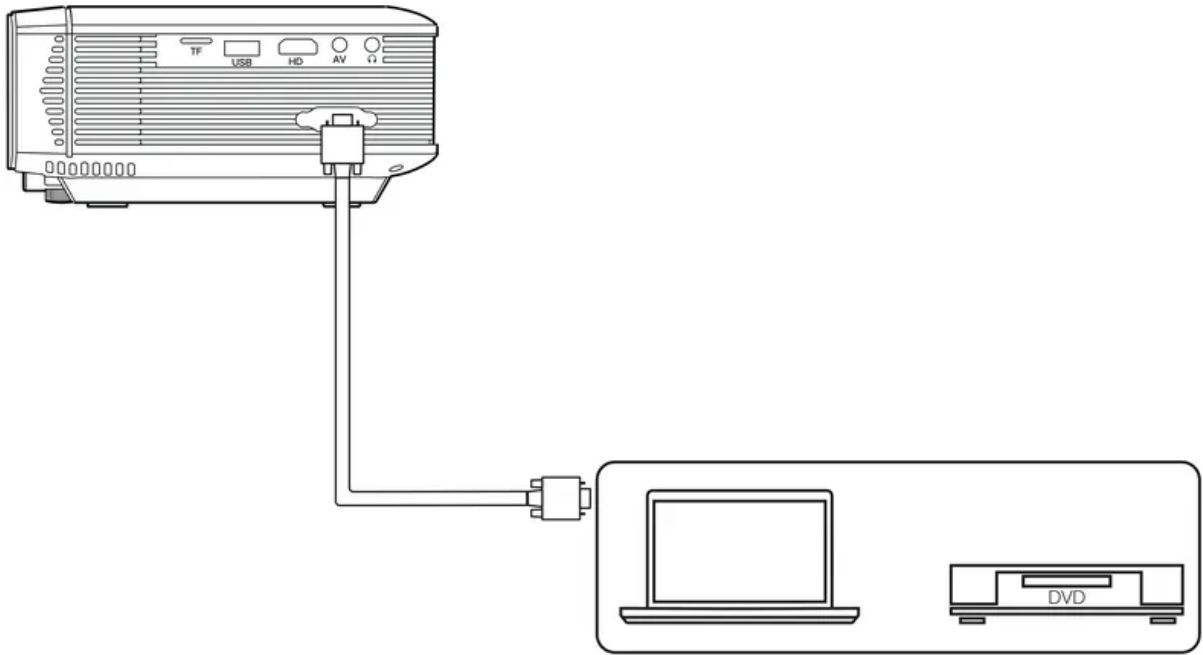
HDMI



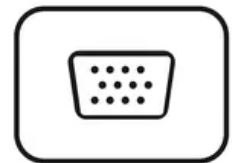
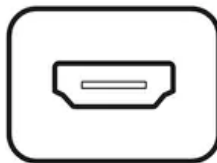
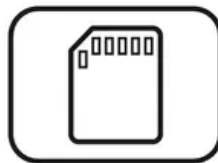
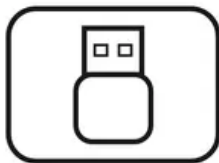
VGA input (PC) connection

Use an universal VGA cable(not included) to connect the projector with computer and other devices with VGA signal output function.

For most of the Windows 7 computers, press [Windows]+[P] to make projection. For other Windows computers, Google or contact your computer service center for projection instruction.

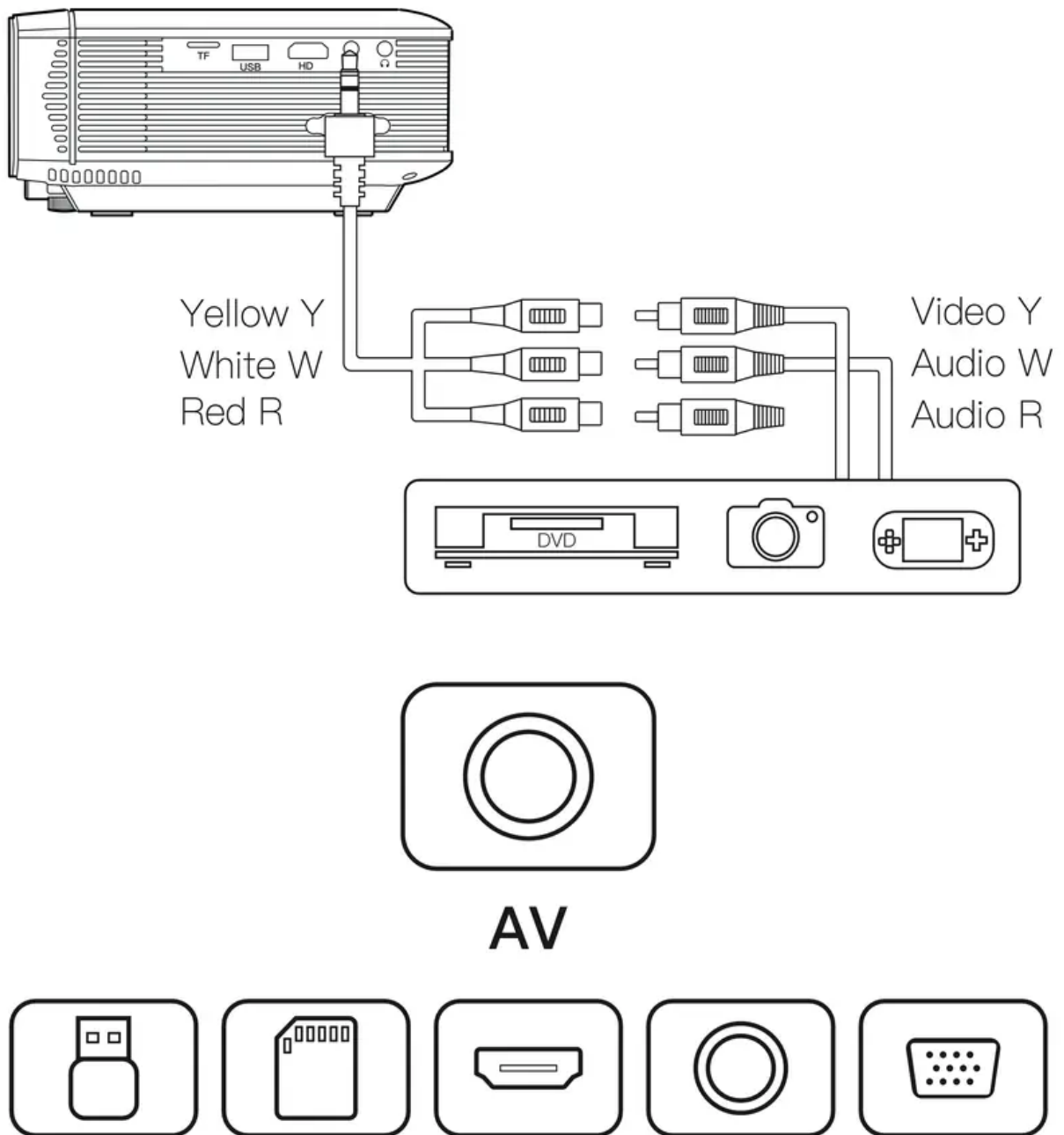


VGA



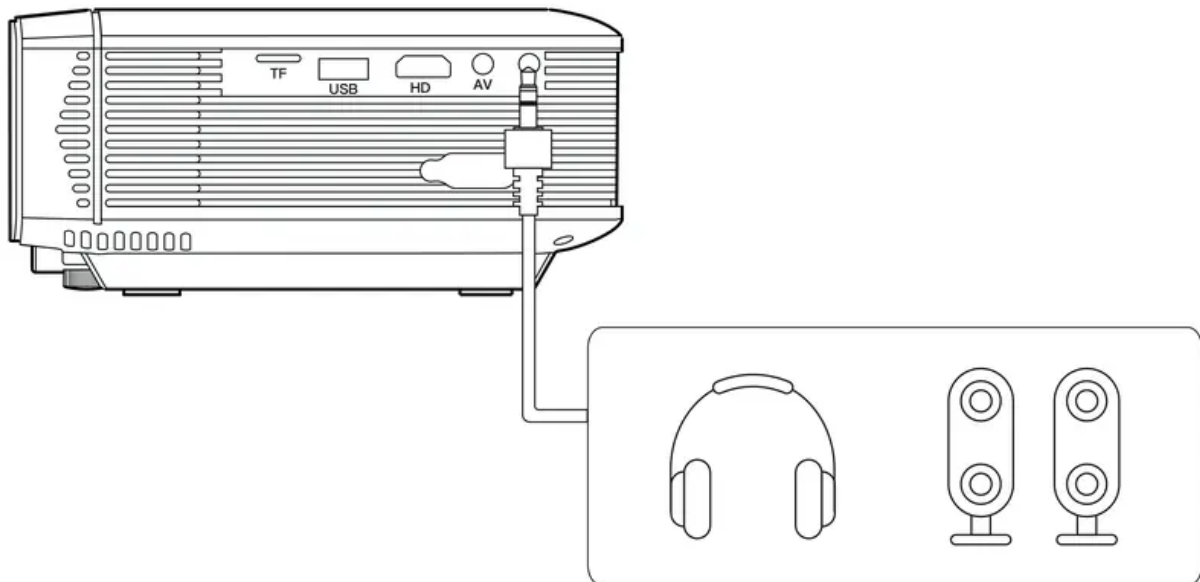
AV video device connection

Connect the projector AV interface with 3 in 1 AV cable (included), as shown in pictures.



Audio devices connection

It can connect to headphone and wired audio equipment with 3.5mm jack (not included).



Tip: Due to Dolby copyright, this model does not support Dolby audio decoding currently.

Main Menu

You can adjust projector settings in projector main menu. Touch menu key on projector panel or remote controller.

Picture :

Picture Mode, Aspect Ratio, Flip.

Sound:

Sound Mode, Balance, Auto Volume, Surround Sound.

Time:

Clock, Off Time, On Time, Sleep Timer, Auto Sleep.

Option:

OSD Language, Restore Factory Default, Software Update(USB).

Warning

This content is compiled from multiple sources and is provided for reference purposes only. It may not be complete or fully applicable to all situations. If you are unable to resolve your issue, please contact the product manufacturer or an authorized service provider for official support.