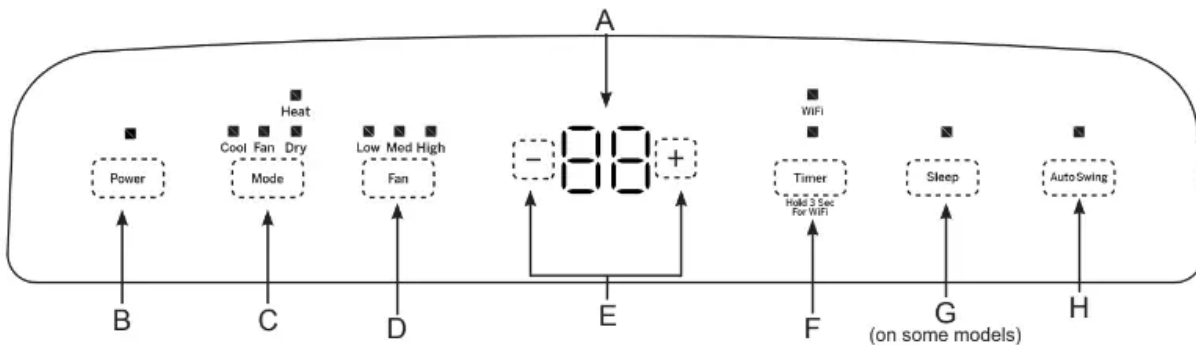


## CONTROLS

Features and appearance will vary.

Lights next to the buttons on the air conditioner control panel indicate the selected settings.



### A. Control Panel Display

Displays the Set Temperature in degrees Fahrenheit or degrees Celsius, or the hours remaining in a Time Delay.

### B. Power Button

Turns the air conditioner on or off.

**NOTE:** Turning off the power by pressing the **Power** button does NOT disconnect the appliance from the power supply.

- Press the **Power** button. The Power indicator will illuminate and the AC will turn on.

### C. Mode Button

Press the **Mode** button to toggle among the operating options. The corresponding indicator will illuminate:

**Cool** – Cools the room to the set temperature

**Fan** – Circulates the air in the room without cooling

**Dry** – Reduces the humidity in the room

**Heat (on some models)** - Heats the room to the set temperature

### D. Fan Speed Button

The fan speed can be adjusted from Low, Medium, to High speed when the air conditioner is in operation.

**NOTE:** The fan speed cannot be adjusted when the unit is in Dry or Sleep mode.

- Press the **Fan** speed button to toggle among the three speeds. The corresponding fan speed indicator will illuminate.

## E. Timer / Temperature Set Controls

Adjusts the Temperature or Hours in Time Delay.

### To Set the Temperature:

1. Press the **Mode** button until the Cool mode is selected.
2. Press the **Up Arrow** or **Down Arrow** buttons to select the desired temperature.

**NOTE:** The temperature cannot be set when the air conditioner is in either Fan or Dry mode.

**A. NOTE:** The Up Arrow and Down Arrow buttons, when pressed at the same time, allow you to select between displaying the temperature in <sup>0</sup>F or <sup>0</sup>C.

## F. Timer Button

Program a time from (a 1-hour to 24 hours) for the air conditioner to turn Off or On. When a Time Delay is programmed, the Timer indicator light will illuminate.

### While the air conditioner is operating:

1. Press the **Timer** button.
2. Press the **Up/Down Arrow** buttons to select the number of hours you want the air conditioner to continue to operate before turning it Off.

**NOTE:** Wait approximately 5 seconds for the Turn-Off time to be saved.

### While the air conditioner is off:

1. Press the **Timer** button.
2. Press the **Up/Down Arrow** buttons to select the number of hours you want the air conditioner to remain off before turning it On.

**NOTE:** Wait approximately 5 seconds for the Turn-On time to be saved.

### To cancel the timer:

- Press the Timer button once, the hours remaining will flash, press the timer button again and the timer will be canceled.

### To turn on WiFi:

1. Press and hold the **Timer** button for 3 seconds to turn on the WiFi function.

Refer to the "WiFi Set up" section for more information on how to connect your Portable AC to your router and install the HQ App.

## G. Sleep

Press the **Sleep** button to activate sleep mode, and press again to cancel.

The fan speed will automatically change to low speed and cannot be adjusted. The temperature will rise after 2 and 4 hours to ensure your comfort overnight.

## H. Auto Swing

The louver on your portable air conditioner will open automatically when you turn it on (do not pry it open or push it shut).

1. When your AC is turned on, the louver will swing up and down.
2. You can press the **Auto Swing** button to fix the louver in your desired position

## Cool Mode

Use the Cool mode for cooling.

To set the Cool mode:

1. Press the **MODE** button until the Cool indicator light is lit.
2. Press the **FAN** button to set HIGH, MEDIUM, or LOW fan speed.
3. Press **+ or -** to set the desired temperature.

After settings have been made, the display will change back to show the room temperature. Temperature control is used to maintain the room temperature. The compressor will cycle on and off to keep the room at a set level of comfort. Set the temperature control at a lower number and the indoor air will become cooler. Set the temperature control at a higher number and the indoor air will become warmer.

**NOTE:** If the air conditioner is off and is then turned on while set to Cool, it will take approximately 3 minutes for the compressor to start and for cooling to begin.

## Cooling Description

**For Normal Cooling**—Select the Cool mode and HIGH, MEDIUM, or LOW fan speed with a middle set temperature.

**For Maximum Cooling**—Select the Cool mode and HIGH fan speed with a lower set temperature.

**For Quieter & Nighttime Cooling**—Select the Cool mode and LOW fan speed with a middle set temperature.

**NOTE:** If you switch from Cool, Dry or Heat mode setting to OFF, wait 3 minutes before restarting.

## Dry Mode—Dehumidification

Use the Dry mode to provide dehumidification only.

The fan will run at a fixed speed at this setting, so a fan speed cannot be set. Keep windows and doors closed for the best dehumidifying effects.

### To set the Dry mode:

- Press the **MODE** button until the Dry indicator light is lit.

In the Dry mode, a set temperature will not be displayed.

After Dry mode has been set, the display will change back to show the room temperature.

**NOTE:** If you switch from a Dry setting to OFF or to a fan setting, wait at least 3 minutes before switching back to a Dry setting.

## FAN Mode

Use the FAN mode to provide air circulation and filtering without cooling.

### To set the FAN mode:

- Press the **FAN** button until the desired indicator light for high, medium, or low fan speed is lit.

Since fan-only settings do not provide cooling, a set temperature will not be displayed. After the FAN speed has been set, the display will change back to show the room temperature.

The exhaust hose and window kit do not need to be installed when operating in fan mode.”

## HEAT Mode (for Heat/Cool models only)

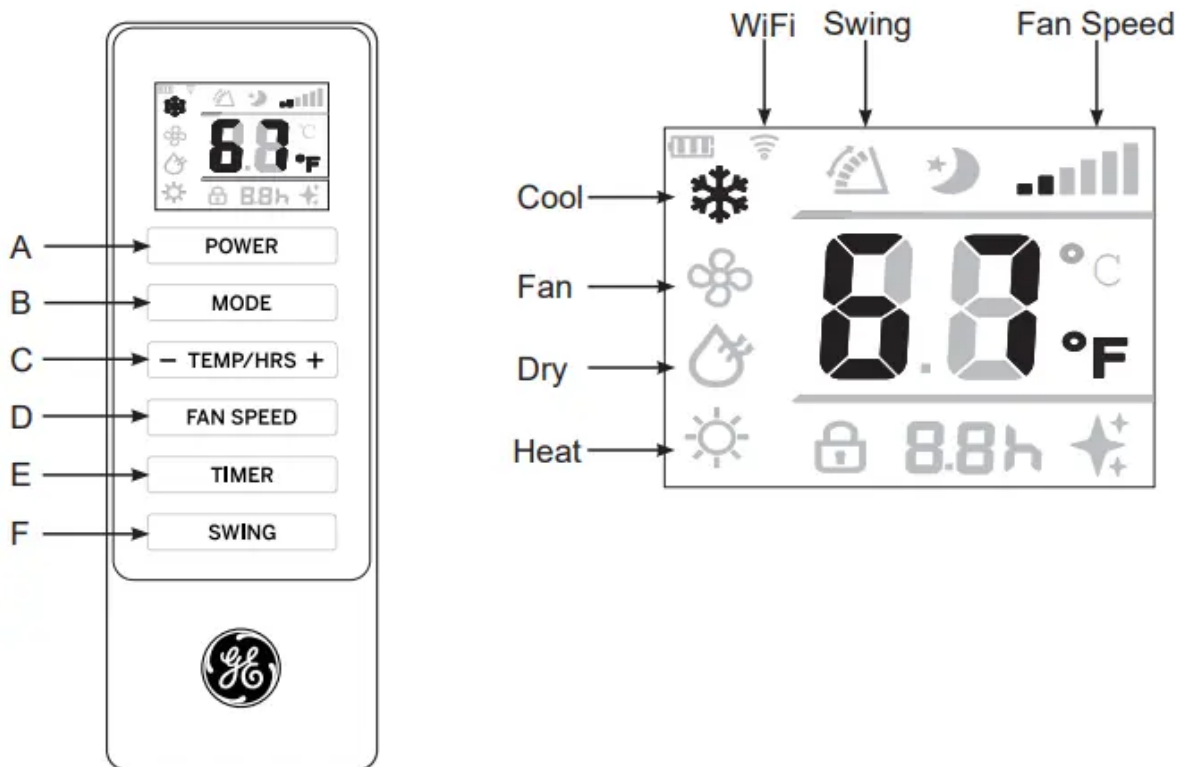
Use the Heat mode at Low, Med, or High Speed for heating. Use the Temperature Increase (+) / Decrease (-) buttons to set the desired temperature.

An electronic thermostat is used to maintain the room temperature. The heater will cycle on and off to keep the room at a set level of comfort.

## Power Outage Recovery Feature

In the case of a power outage or interruption, the unit will automatically restart in the settings last used after the power is restored.

**NOTE:** If the TIMER was set before the power outage, it will need to be reset after power is restored.



## REMOTE CONTROL

1. Insert the two batteries (provided).
2. Aim the remote control at the signal receiver on the control panel to operate the air conditioner.

### A. POWER

Turn the air conditioner on or off.

**NOTE:** Turning off the power by pressing the **POWER** button does NOT disconnect the appliance from the power supply.

- Press the **POWER** button. The Power indicator will illuminate.

### B. MODE

Press the **MODE** button to toggle among the operating options. The corresponding indicator will illuminate:

Cool - Cools the room to the set temperature

Dry - Reduces the humidity in the room

Fan — Circulates the air in the room without cooling

Heat (on some models) - Heats the room to the set temperature

### C. Temperature

Adjusts the Temperature or Hours in Time Delay.

#### To Set the Temperature:

1. Press the **MODE** button until the Cool mode is selected.
2. Press the **+** or **-** buttons to select the Temperature.

**NOTE:** The temperature cannot be set when the air conditioner is in either Fan or Dry mode.

#### To Set the Timer:

1. Press the **+** or **-** buttons to select the desired hours to turn on or off.

### D. FAN SPEED

The **FAN SPEED** can be adjusted from Low, Medium to High speed when the air conditioner is in operation.

**NOTE:** The fan speed cannot be adjusted when the unit is in Dry mode.

- Press the **FAN SPEED** button to toggle among the three speeds. The corresponding fan speed indicator will illuminate.

### E. TIMER

Program a time from (1-hour to 24-hours) for the air conditioner to turn Off or On. When a Time Delay is programmed, the Timer indicator light will illuminate.

### F. SWING

The louver on your portable air conditioner will open automatically (do not pry it open or push it shut).

1. When your AC is turned on, the louver will swing up and down.
2. Press the auto-swing button to fix the louver in your desired position.

## CARE AND CLEANING

### CLEANING

#### WARNING



#### Electrical Shock Hazard

Disconnect power before cleaning.

Failure to do so can result in death or electrical shock.

1. Unplug or disconnect the power.
2. Use only a soft cloth dampened with water to clean the cabinet.

◦ **NOTE:**

- Do not use a liquid or spray cleaner to clean the air conditioner.
- DO NOT use chemicals, abrasives, ammonia, chlorine bleach, concentrated detergents, solvents, or scouring pads. Some of these chemical items may damage and/or discolor your air conditioner.

3. Dry thoroughly with a soft cloth.
4. Plug in or reconnect power.

#### Air Filter

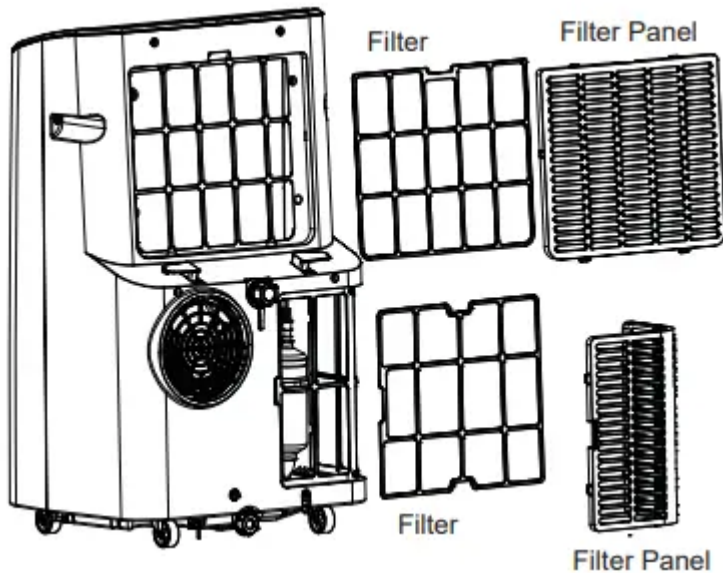
The air filters should be cleaned at least every two weeks for your unit to operate at optimum efficiency.

**CAUTION: DO NOT** operate the air conditioner without a filter because dirt and lint will clog it and reduce performance.

#### To remove:

1. Unplug or disconnect the power.
2. Pull to remove the filter panels.
3. Remove the filters from the panels.

4. Wash or vacuum the dust from the air filters. **NOTE:** If washed, gently shake the filter to remove the excess water and dust particles trapped in the filter.
5. Reinstall the filters onto the panels.
6. Replace both filter panels
7. Plug in or reconnect the power

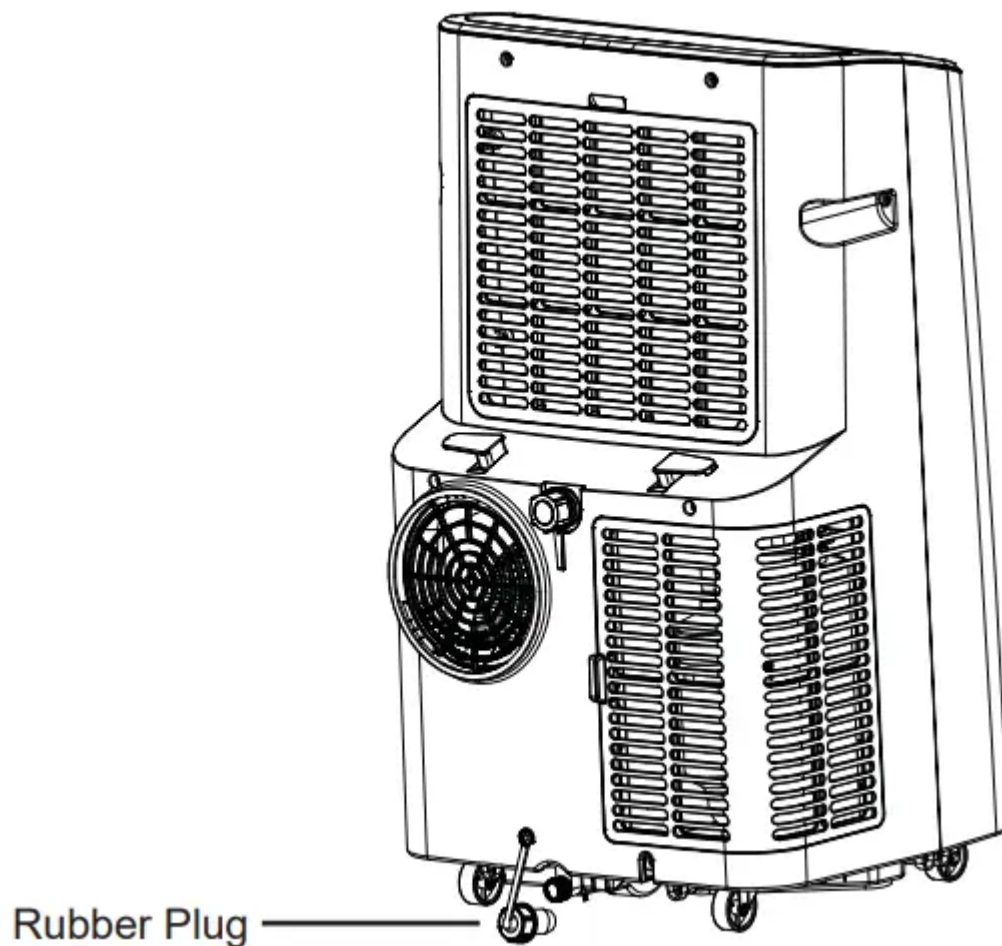


### Internal Water Tank

The Water Full indicator ("FL" on the control panel display) illuminates when the internal water tank has filled with condensed water. The unit will not cool until the tank has been emptied to prevent overflow and possible damage to the floor under the AC.

### To Empty the Internal Water Tank:

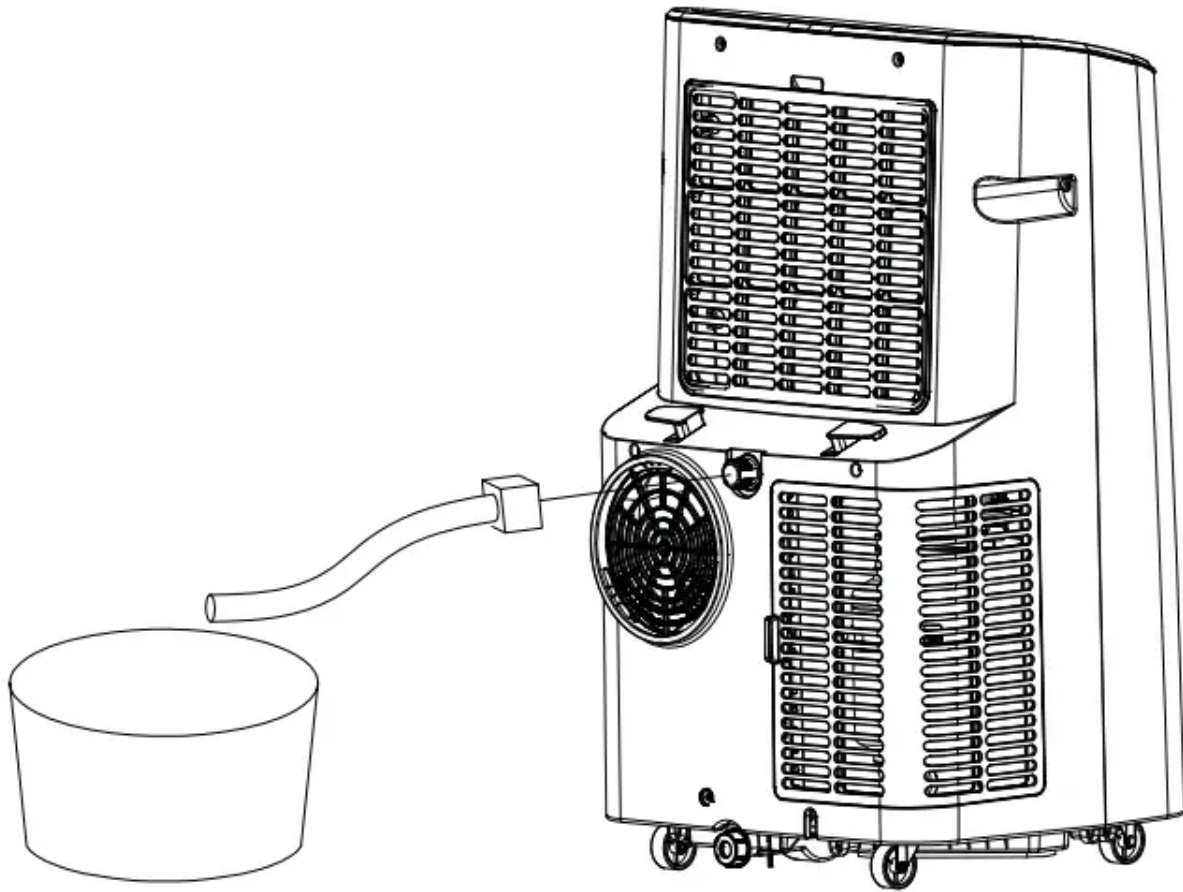
1. Unplug or disconnect the power.
2. Place a shallow 1 1/2 quart or larger pan (not included) below the lower drain located on the back (near the bottom) of the air conditioner.
3. Remove the cap and the rubber plug and drain the water tank.
4. Re-insert the drain plug and screw the cap snugly into place.
5. Plug in or reconnect power.



### **Continuous Draining {optional and only in dry mode}**

1. Remove the top drain cap.
2. Connect a hose with a garden hose connected to the outlet.
3. Route the drain hose to a suitably sized container\* or a floor drain.

\*Be sure to use a large container (3 gallons or larger is recommended) and monitor the water level in the container continuously. The unit will not shut off when the container is full. An overflowing container can cause flooding and damage to the floor."



## Storage

**If the unit is not being used for a long period of time:**

**To Empty the Internal Water Tank:**

1. Unplug or disconnect the power.
2. Drain the water from the water tank. (See “Internal Water Tank section” above.)
3. Use the original packaging to repack the unit to avoid a buildup of dust or dirt
4. Store the air conditioner in a cool, Dry location.

## How to Insert the Batteries in the Remote Control

1. Remove the battery cover by sliding it according to the arrow direction
2. Insert new batteries. making sure that the (+) and (-) of battery are installed correctly.
3. Reattach the cover by sliding it back into position. the Remote Control

## NOTES:

- Use 2 “AAA’ (1.5 volts) alkaline batteries. Do not use rechargeable batteries.
- Remove the batteries from the remote control if the system is not going to be used for a long time.
- Do not mix old and new batteries. Do not mix alkaline. standard (carbon-zinc) or rechargeable (ni-cad. ni-mh. etc) batteries.

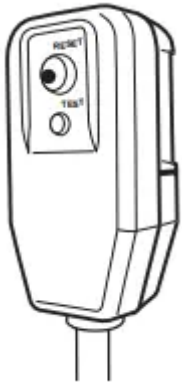
# INSTALLATION INSTRUCTIONS

## BEFORE YOU BEGIN

Read these instructions completely and carefully.

- **IMPORTANT** — save these instructions for local inspector's use.
- **IMPORTANT** — observe all governing codes and ordinances.
- **Note to Installer** — Be sure to leave these instructions with the Consumer.
- **Note to Consumer** — Keep these instructions for future reference.
- **Skill level** — Installation of this appliance requires basic mechanical skills.
- **Completion time** - Approximately 1 hour
- We recommend that two people install this product.
- Proper installation is the responsibility of the installer.
- Product failure due to improper installation is not covered under the Warranty.
- You **MUST** use all supplied parts and use proper installation procedures as described in these instructions when installing this air conditioner.

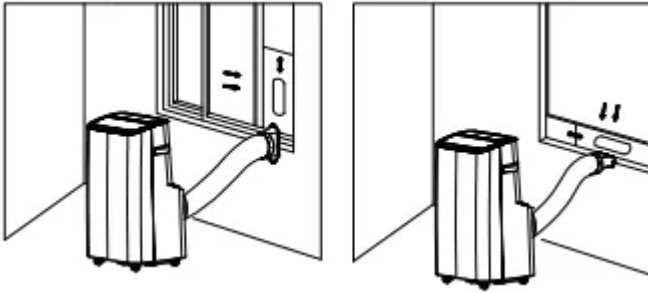
The power cord includes a current interrupter device. A test and reset button are provided on the plug case. The device should be tested on a periodic basis by first pressing the TEST button and then the RESET button while plugged into the outlet. If the TEST button does not trip or if the RESET button will not stay engaged, discontinue the use of the air conditioner and contact a qualified service technician.



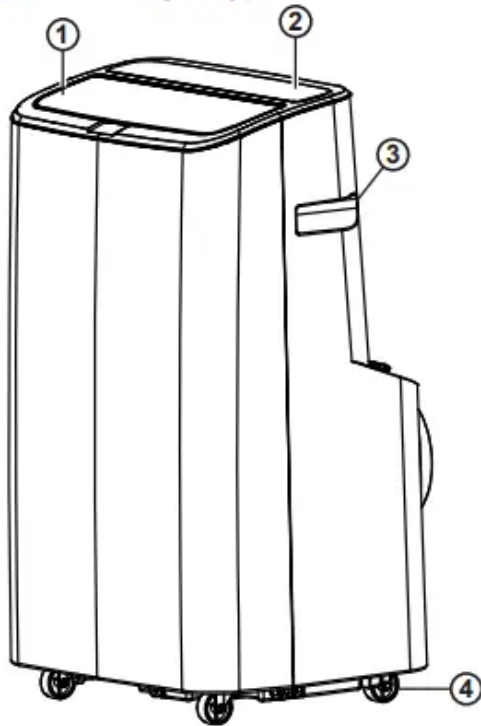
## Location Requirements

- Place the air conditioner on a flat, level surface in a location that is at least 20" (51 cm) from any wall. **NOTE:** A minimum clearance of 20° (51 cm) to ensure proper airflow.
- Maintain a minimum 20° (51 cm) clearance around the air conditioner to not block airflow.
- Keep the air conditioner free of any obstructions such as drapes, curtains, blinds, etc.
- The exhaust hose should be free of any obstructions.

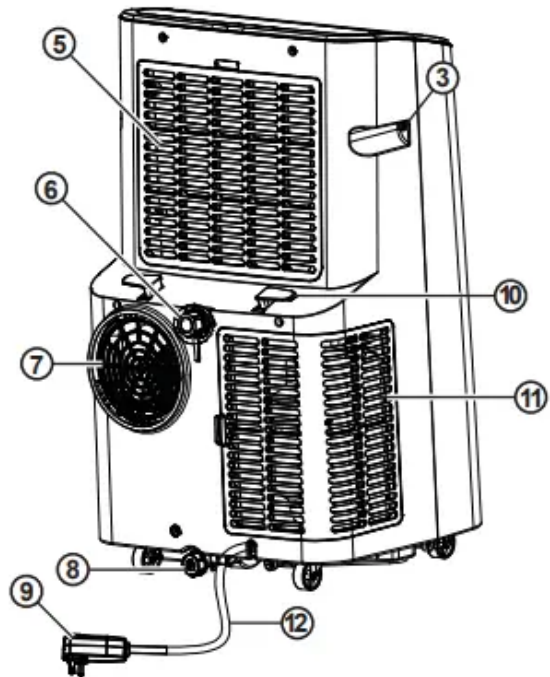
- Do not place the air conditioner on an unstable or raised surface because it could fall and cause damage or injury.
- Do not place the air conditioner in direct sunlight or near a heat source such as a baseboard heater.
- The window panel can be installed in a window with a minimum of 20° (51 cm) to a maximum of 48° (122 cm)



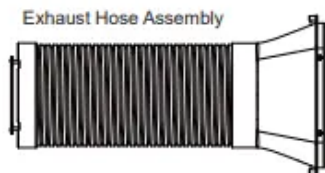
**PARTS INCLUDED**  
(Appearance may vary)



- 1. Auto Swing Louver
- 2. Controls
- 3. Built-in Handle
- 4. Casters (4)
- 5. Upper Filter Panel
- 6. Top Continuous Drain
- 7. Exhaust Vent



- 8. Lower Drain
- 9. LDCI Plug
- 10. Cord Winder (2)
- 11. Lower Filter Panel
- 12. Power Cord
- 13. Remote Control
- 14. 2 AAA batteries



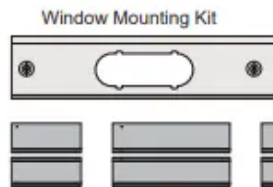
Top Window Bracket (2)



Bottom Window Bracket (2)



Security Bracket



- 1 pc - 20" Center Panel
- 1 pc - 5 1/2" Extension
- 1 pc - 9" Extension
- 2 pc - 16" Extensions



Flat Tip Screw  
For exhaust nozzle to  
main window panel.



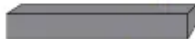
Pointed Screws (7)  
2 - Top Window Bracket  
1 - Security Bracket  
4 - Main Window Panel



Top Foam Strip



Bottom Foam Strip



Foam Strip



Remote Control  
Batteries (2)

**TOOLS YOU WILL NEED**

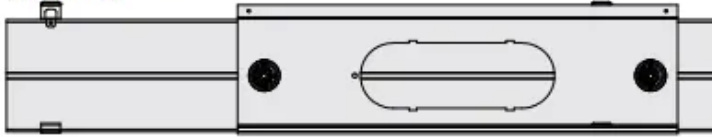


Phillips head screwdriver  
(Not Included)

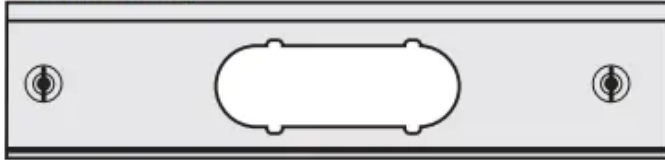
## Window Panel Combinations to fit window openings

(Appearance may vary)

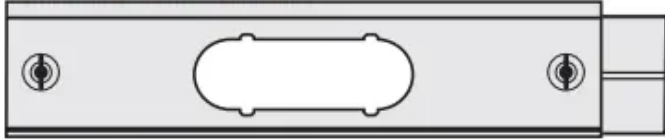
Window Kit



Window Opening 20"  
Center Panel Only



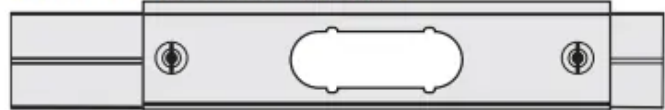
Window Opening 20" - 23½"  
Center Panel + 5½" Extension



Window Opening 23½" - 27"  
Center Panel + 9" Extension



Window Opening 23½" - 30½"  
Center Panel + 9" and 5½" Extensions



Window Opening 30½" - 34"  
Center Panel + 16" Extension



Window Opening 34" - 41"  
Center Panel + 9" and 16" Extensions



Window Opening 41" - 48"  
Center Panel + (2) 16" Extensions



### 1. UNPACK THE AIR CONDITIONER

#### WARNING

#### Excessive Weight Hazard

Use two or more people to move and install an air conditioner.

Failure to do so can result in back or other injuries.

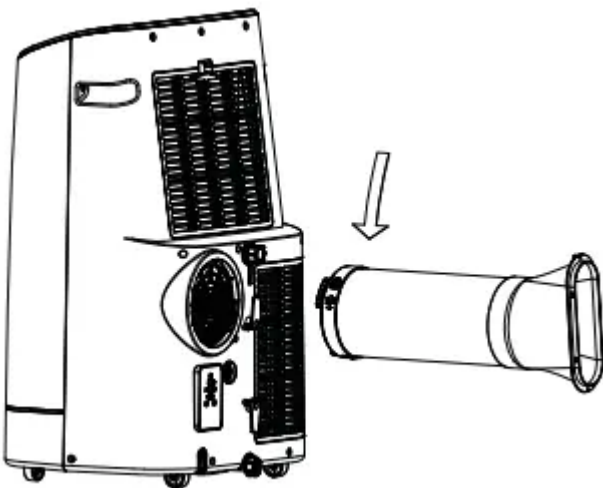
- Remove packaging materials. Save the carton and the foam packaging for storing the air conditioner when not in use.

**NOTE:** There are NO packing materials inside the air conditioner to remove—Do Not open the cabinet.

- Properly dispose of recycled all packing material.
- Handle the air conditioner gently.
- Keep the air conditioner upright and level. Do not set the air conditioner on its side, front, back, or upside down.

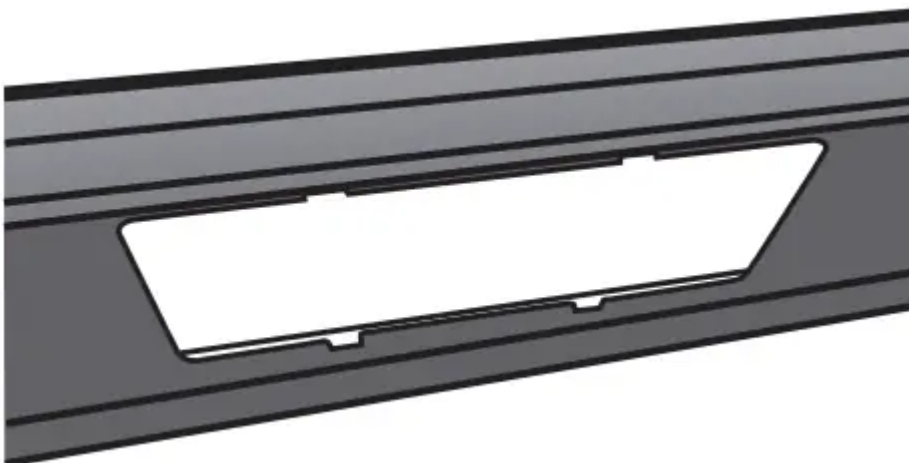
## 2. Assemble the Exhaust Hose Assembly and Mount it to the Back of Unit

Extend the exhaust hose approximately 4" from each end. Screw the adapters onto the ends of the hose, turning clockwise until they are secure. Insert the round adapter into the exhaust vent on the back of the Air Conditioner and turn counter-clockwise to secure it.

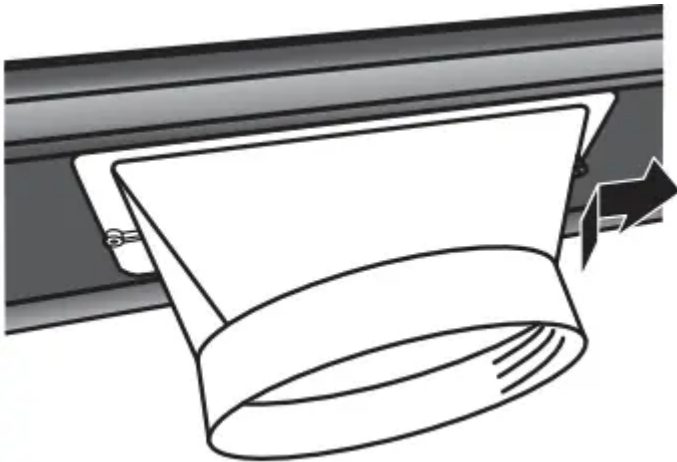


## 3. Install Exhaust Nozzle to Main Window Panel

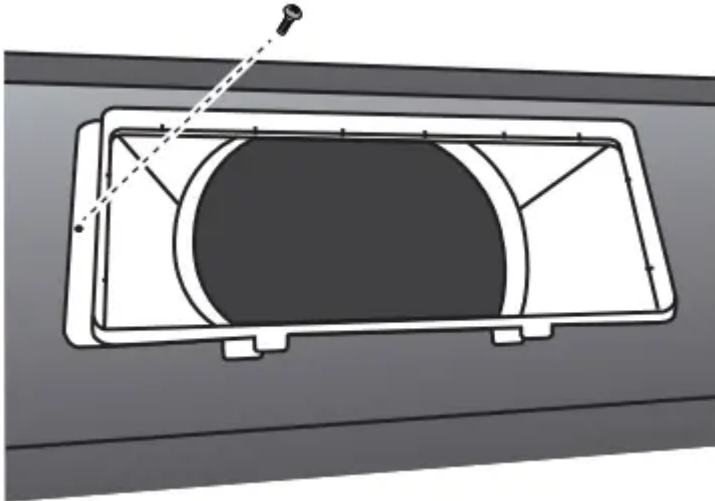
1. Hold the main window panel so that the L-shaped edges of the panel are facing you.



2. Align the exhaust nozzle with the slots in the opening, and then insert and slide the nozzle to access the hole from the back of the main window panel.



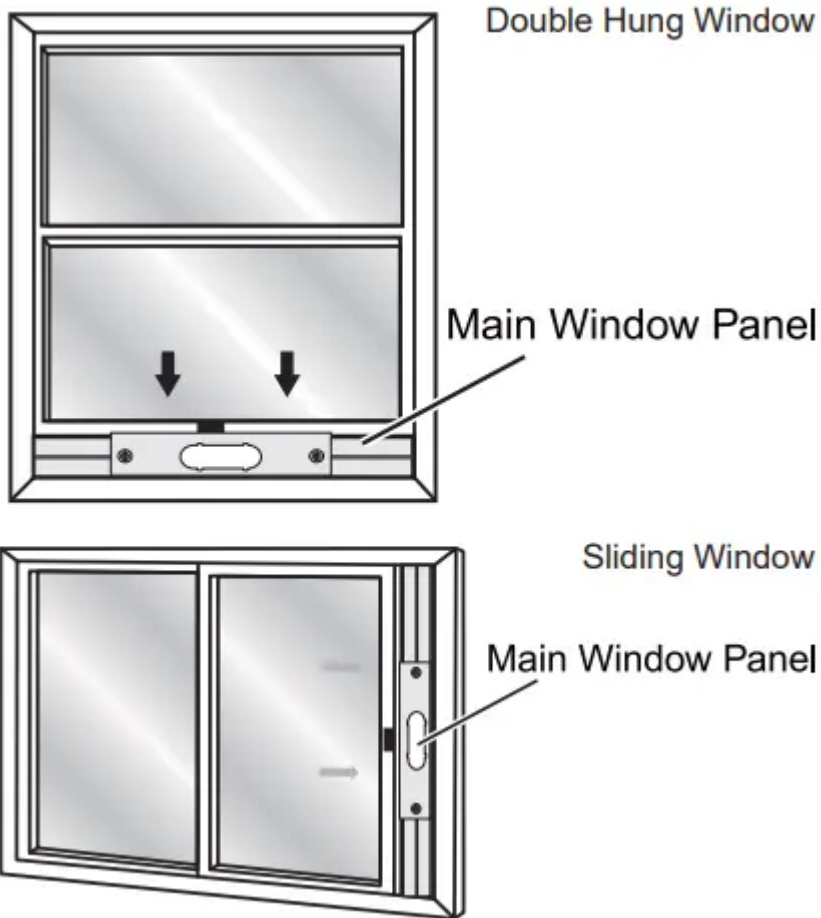
3. Turn the main window panel over, so that the nozzle is away from you. Insert a flat-tip screw through the hole to fasten the window panel to the adapter.



#### 4. Install Main Window Panel and Extension Panels

**NOTE:** Measure the window opening and use the extension panels as referenced on page 11 to fit your window.

1. Open the window and place the window kit assembly into the window. **NOTE:** The window assembly is designed to accommodate either a double-hung or sliding window.



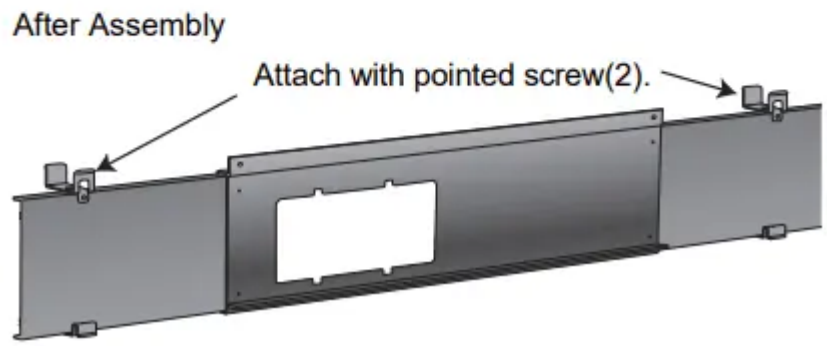
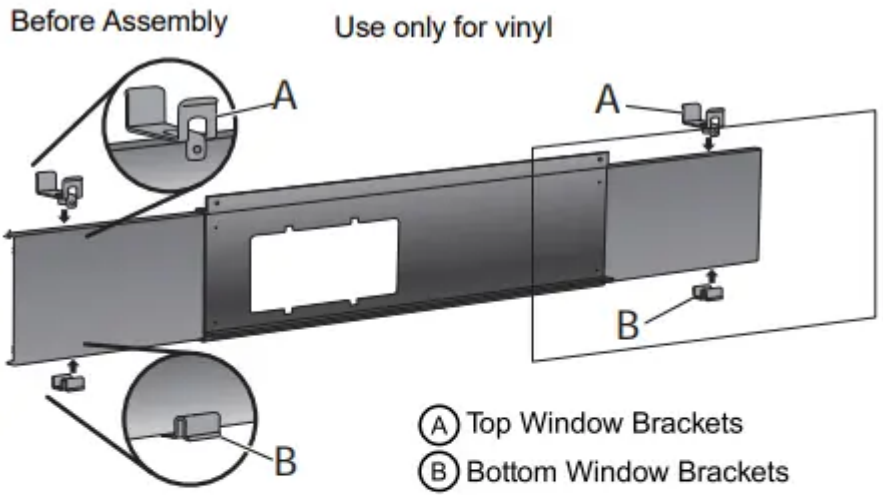
2. Adjust the extension panel(s) to the width or height of the window as shown.
3. Depending on the number of extension panels used, turn the knobs to secure the extension panel(s) to the main panel. **Install from the back.**



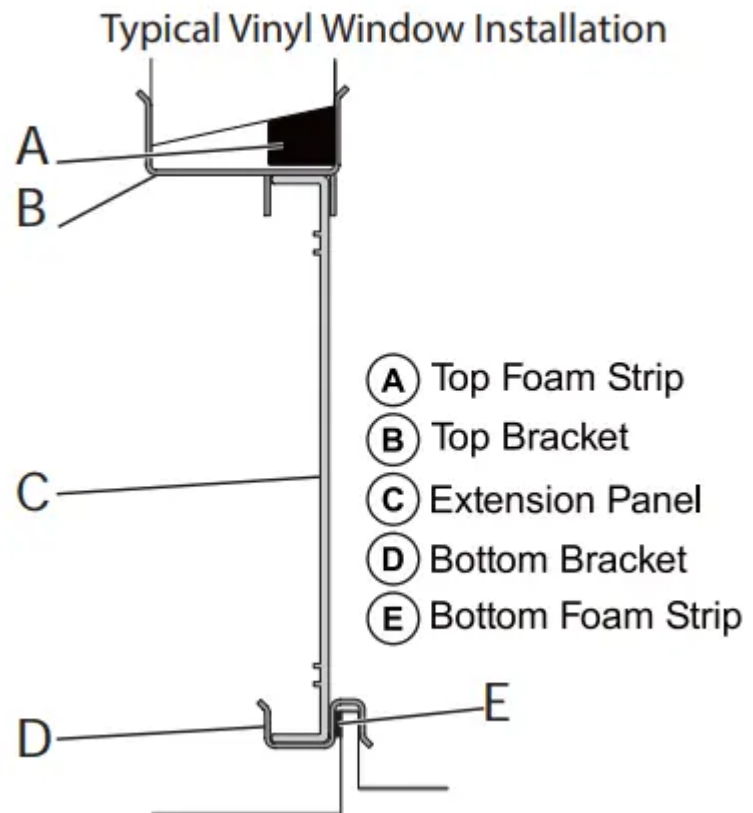
**NOTE:** There are many window types on the market today. Use the foam strips and brackets (provided) to secure the extension panels that will fit the window opening.

4. **For vinyl windows only. Skip stepping 6 for wood windows.** Place the two top window brackets and two bottom window brackets where they will best support the

extension panels. Use pointed screws to attach the top bracket to the support panels.

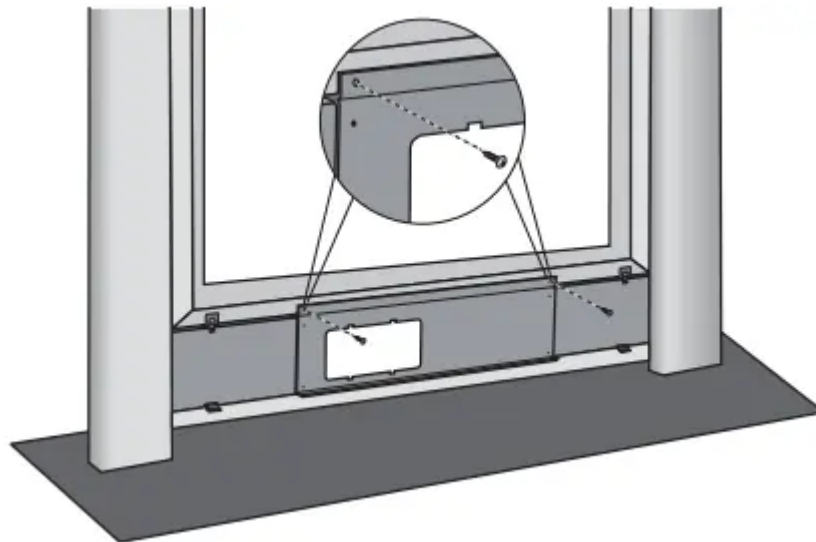


5. Apply the top foam strip (provided) across the top of the window panel assembly, and then apply the bottom foam strip (provided) across the bottom front edge of the window

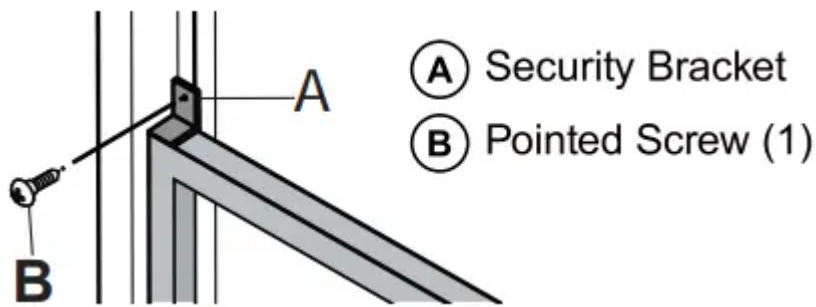


panel assembly, as shown.

6. Place the window panel assembly in the window, and using the screws provided, fasten the assembly to the window sill and window frame.



7. Using one pointed screw, install the Security bracket to the window. **NOTE:** The security bracket prevents the window from being opened from the outside.



## TROUBLESHOOTING

### The unit does not start or operate

- The power supply cord is not plugged into an outlet.
  - Plug the power cord into a grounded 3-prong outlet.
- The power supply cord has tripped.
  - Press and release the **RESET** button on the power supply cord.
- The Power button has not been pressed.
  - Press the **POWER** button on the Control Panel or Remote Control to turn ON the air conditioner.
- There is no power to the electrical outlet.
  - Plug a working lamp into the outlet to check for power.
- A household fuse has blown or a circuit breaker has tripped.
  - Replace the fuse or reset the circuit breaker.
- The control was programmed for a Time Delay.
  - Cancel the Time Delay. See “Control Panel.”
- The batteries in the remote control are dead.
  - Replace the batteries.
- The internal water tank is full. **NOTE:** The air conditioner automatically turns off, and the Water Full indicator (FL” on the control panel display) illuminates to alert you of this condition.
  - Empty the water tank. See “Air Conditioner Care.”

### **The remote control is not working**

- Batteries are dead.
  - Replace the batteries.
- Batteries are installed incorrectly.
  - Make sure the batteries are inserted in the correct position.

### **The air conditioner working but the room is not cooling.**

- The room temperature is hot. NOTE: On extremely hot and humid days, the air conditioner will take longer to cool the room.
  - Allow time for the room to cool when you first turn! on the unit. Make sure the air conditioner has an adequate BTU rating for the size of the room being cooled.
- The control is set incorrectly to Fan or Dry mode.
  - Set the Mode to Cool and the Fan Speed to High.
- Airflow is restricted.
  - Remove any obstacles to the airflow and redirect airflow for uniform cooling.
- Temperature set too high.
  - Lower the set temperature.
- Air filters are dirty or restricted.
  - Clean the air filter. See "Air Conditioner Care."
- The air conditioner was installed incorrectly
  - Check the exhaust hose and window panel for proper installation.
- Doors and windows are open.
  - Close the doors and windows to the room being cooled to prevent cooled air from escaping.

### **ERROR CODE**

**Code E1:** Abnormal room temperature sensor

**Code E2:** Abnormal refrigeration system sensor

**Code FL:** The internal water tank is full, refer to draining instructions

#### **Warning**

This content is compiled from multiple sources and is provided for reference purposes only. It may not be complete or fully applicable to all situations. If you are unable to resolve your issue, please contact the product manufacturer or an authorized service provider for official support.

---

Document generated by [ManualsFile](#)

