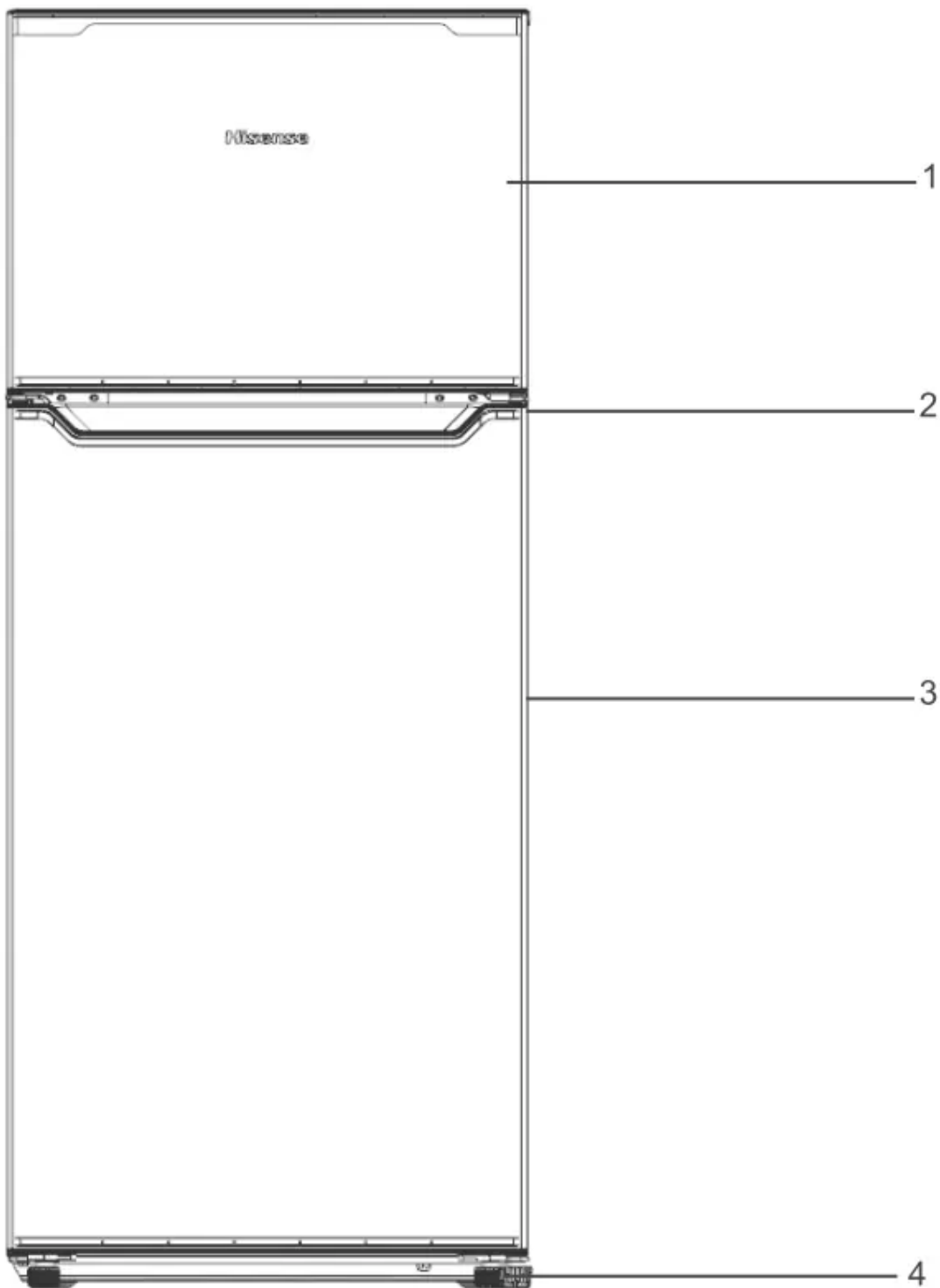


## LOCATION OF CONTROL

DOOR CLOSED

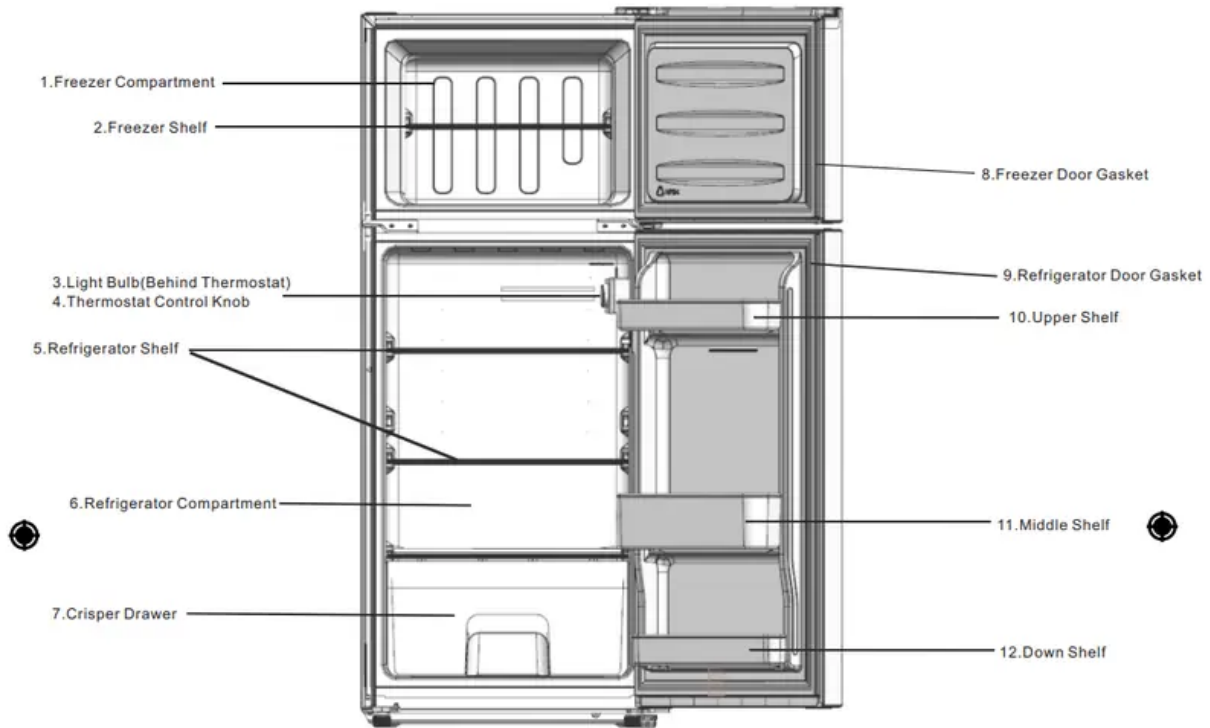


1. Freezer Door



2. The Handle
3. Refrigerator Door
4. Leveling Feet

**DOOR OPEN**



1. Freezer Compartment
2. Freezer Shelf
3. Light Bulb(Behind Thermostat)
4. Thermostat
5. Refrigerator Control Knob
6. Refrigerator Compartment
7. Crisper Drawer
8. Freezer Door Gasket
9. Refrigerator Door Gasket
10. Upper Shelf
11. Middle Shelf
12. Down Shelf

State of California Proposition 65 Warnings:

**WARNING:**This product contains one or more chemicals known to the State of California to cause cancer.

**WARNING:** This product contains one or more chemicals known to the State of California to cause birth defects or other reproductive harm.

## OPERATION

### USING THE THERMOSTAT

The thermostat control knob for the refrigerator and freezer is located at the upper right hand corner of the refrigerator compartment.

The first time you turn the unit on, adjust the thermostat control knob to “4” and give your refrigerator time to cool down completely before adding food; a full 24 hours is recommended.

After it is fully cooled, test it and adjust towards “1” to make less cool or towards “7” to cool more to best suit your needs. However, the setting of “4” should be appropriate for home or office refrigerator use.

NOTE: Turning the control knob to the '0' position will stop the cooling cycle.

### DEFROSTING

**Refrigerator compartment:** Defrosting process is automatic; melted frost flows into drip tray and automatically evaporates.

**Freezer compartment:** Defrosting for the freezer must be performed manually.

1. Turn the thermostat knob to the “0” position and leave the freezer door open.
2. Remove all food and ice cube tray or transfer to refrigerator compartment.
3. Place towel under compact refrigerator or move refrigerator outdoors where no water damage can occur.
4. Clean and wipe out the melted frost with a cloth.

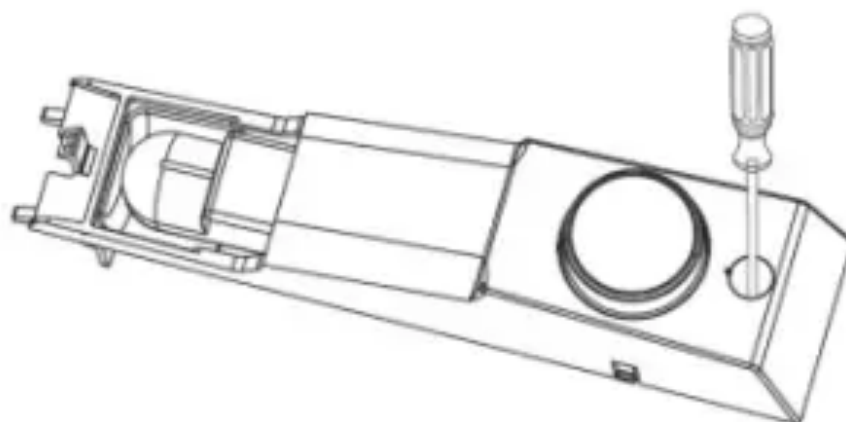
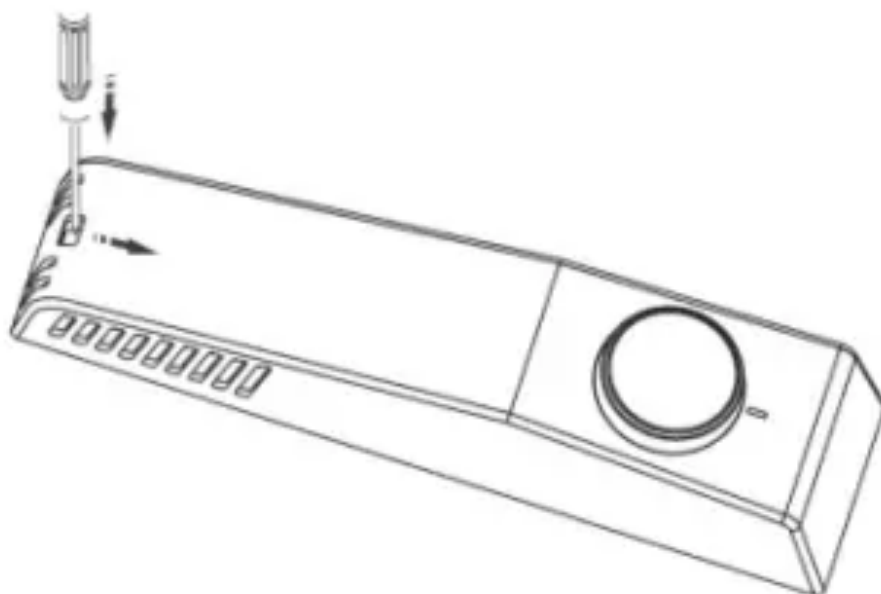
**NOTE:** To avoid damaging the freezer compartment wall, do not use any sharp objects to remove the frost or to separate the frozen food.

## REPLACING THE LIGHT BULB

Warning: The LED light must not be replaced by the user!

If the LED light is damaged, contact the customer helpline for assistance. To replace the LED light, the below steps can be followed:

1. Unplug your appliance.
2. Remove light cover by pushing and prying.
3. Remove screw cover and unscrew the controller box.
4. Replace LED light and snap it correctly in place.



**Changing the door from the right side to the left.**

The side at which the door opens can be changed from the right side (as supplied) to the left side, if the installation site requires.

**Tools you will need:**

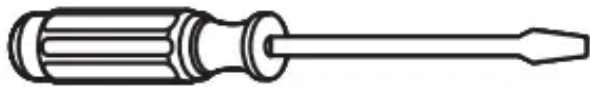
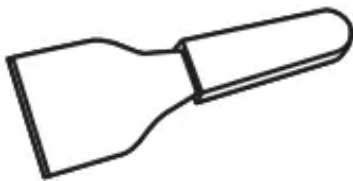
- 8mm socket driver



- phillips screwdrivers



- Putty Knife or slotted screwdrivers



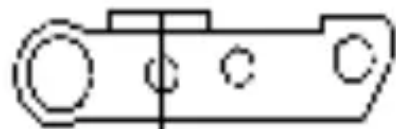
- 7mm wrench and 6mm wrench



Parts you will need ,parts are from the package of manual



door stopper



door stop

**Caution:**

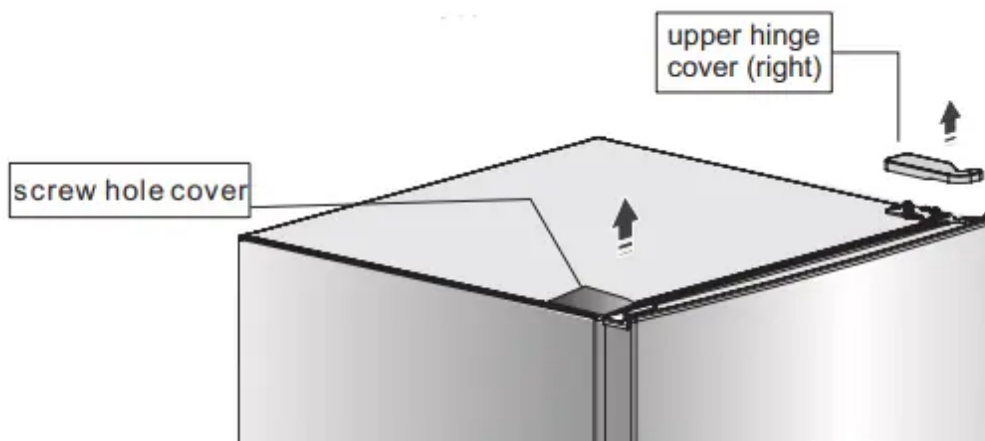


To avoid to injury yourself and/or property, we recommend someone assist you during the door reversal process.

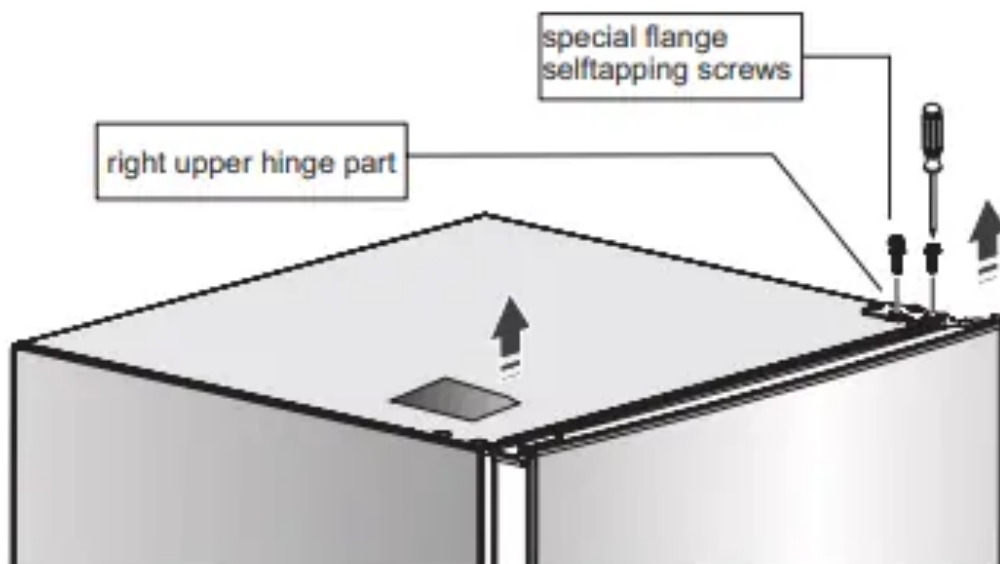
Ensure the Appliance is unplugged and empty.

Following steps are generally recommended.

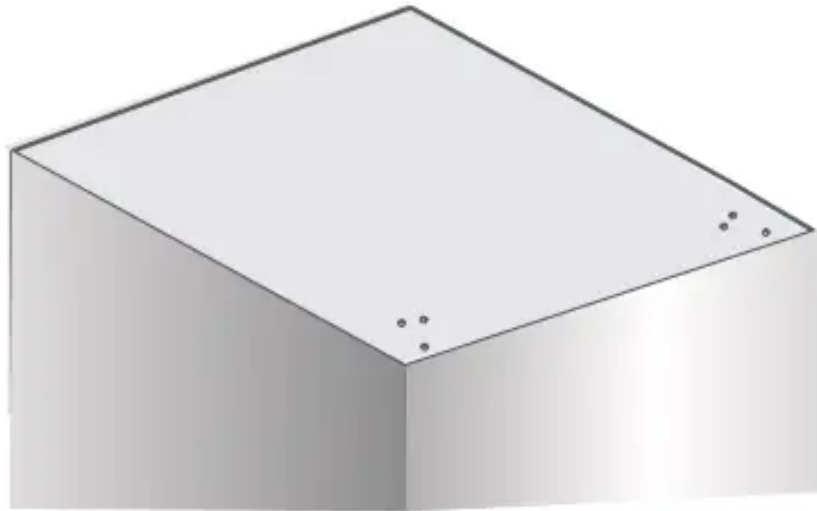
1. Stand the refrigerator, open the upper door and remove the things in the door and close it.
2. open the screw hole cover and the upper hinge cover which is at the top right corner of the refrigerator



3. Unscrew the special flange self-tapping screws which are used for fixing the right upper hinge part by a 8mm socket driver or a spanner(please support the upper door with your hand when doing it ).



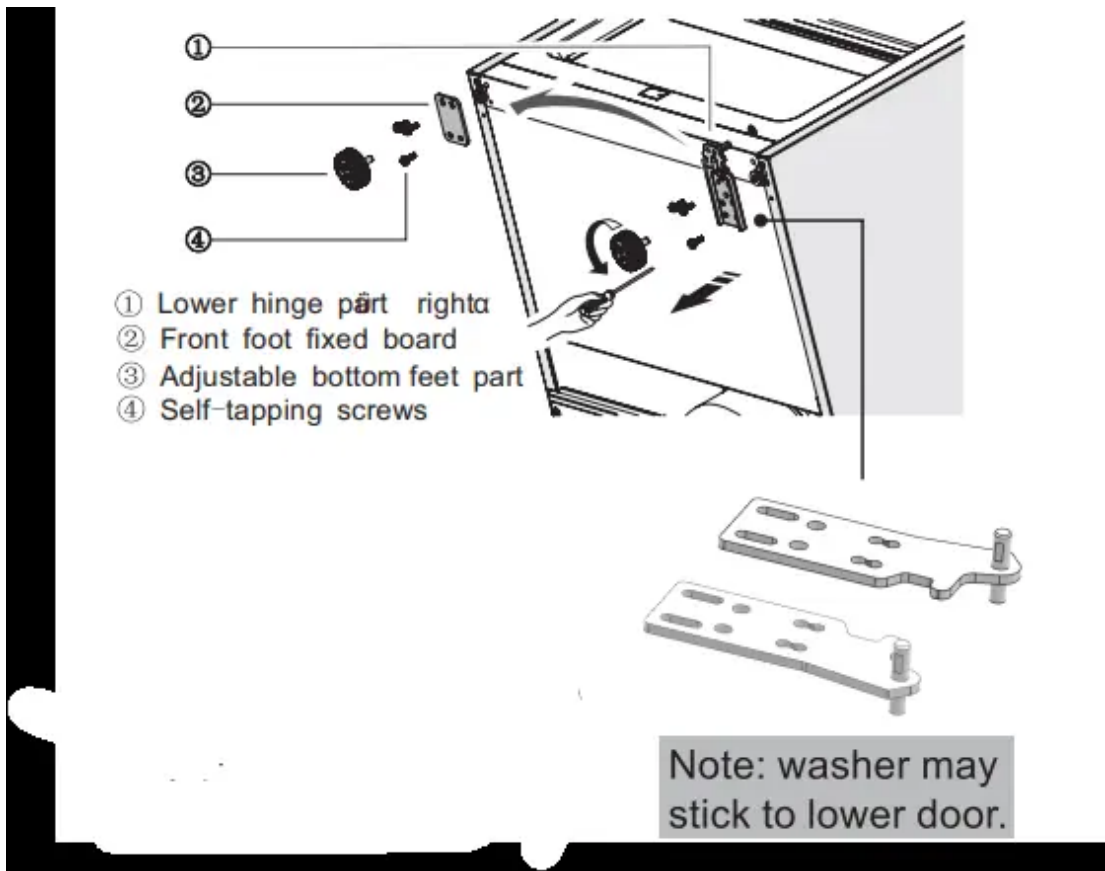
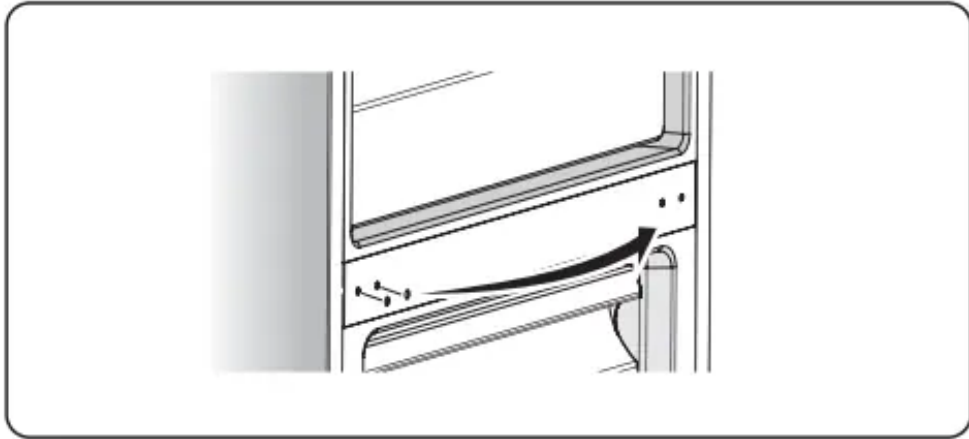
4. Remove the right upper hinge part and screw hole cover ,place them on the smooth surface.



5. Remove upper door and place it on smooth surface with panel upwards.
6. Loose screws used to fix middle hinge and remove middle hinge. Then turn middle hinge by 180. Take washer on axis and put it on another end. Place it well for use.

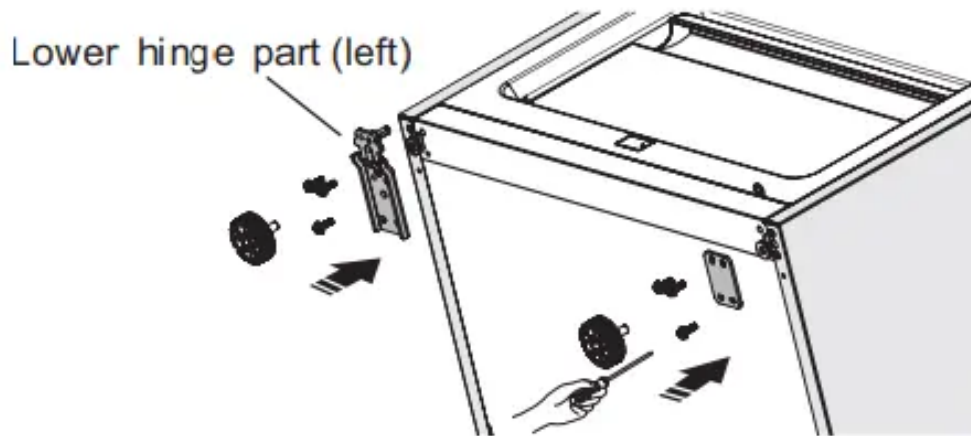


7. Remove lower door and place panel upwards on smooth surface.
8. Change screw hole covers on middle cover plate from left to right (as shown in figure below).

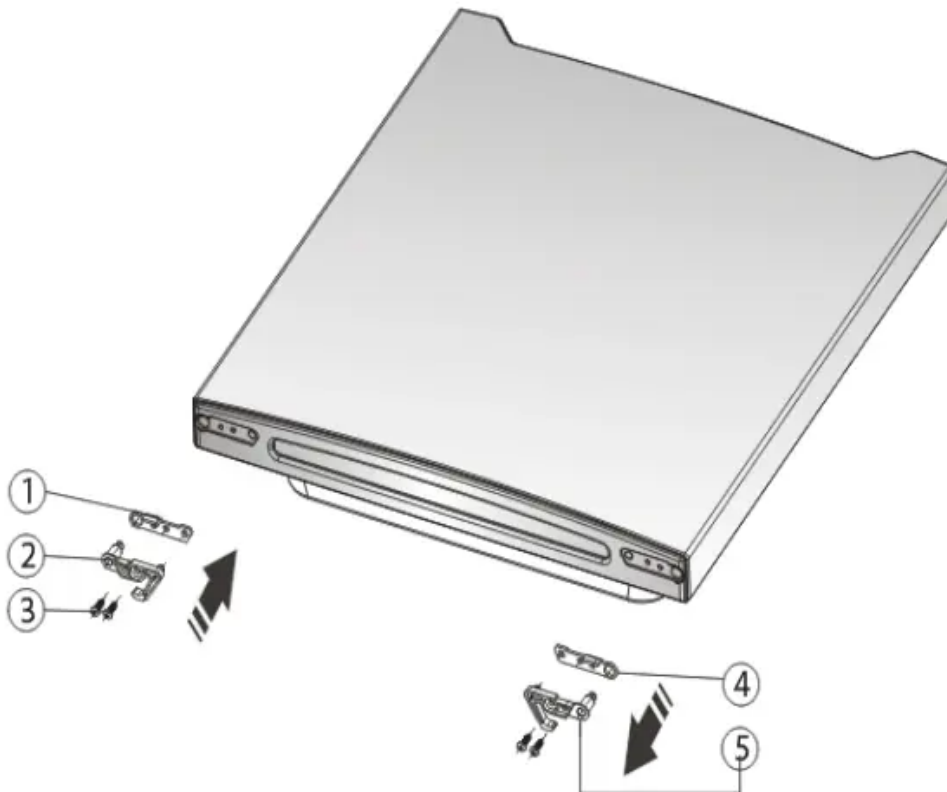


9. Use the 8mm socket driver to remove lower hinge part and front foot fixed board, Then Screw out lower hinge axis and change it to the other up and mount washer,  
**Note:** Before this step, you should lay the refrigerator on it's back in order to gain access to the base, you should rest it on soft foam packaging or similar material to avoid damaging the cooling pipes at the rear of the refrigerator.

10. Change lower hinge part to left and front foot fixed board to right and fix them with screws. Then install adjustable bottom feet parts.



11. Remove the door stop (right) and door stopper (right) with Phillips screwdrivers. Install the door stopper(left) and door stop (left) which are from the package of user's manual

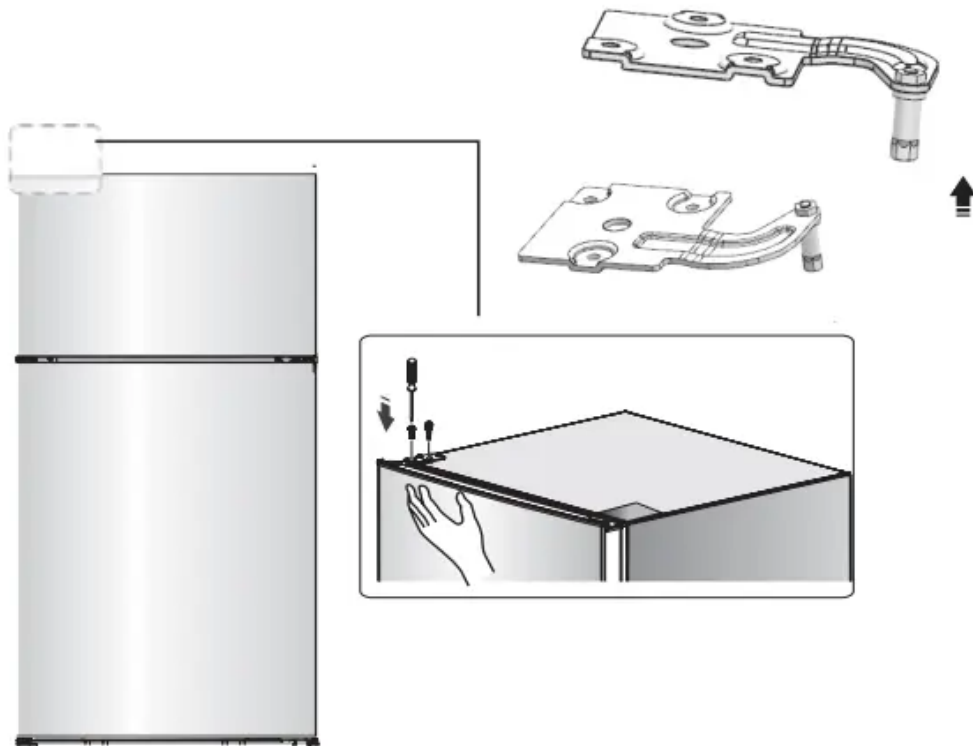


- ① Door stop (left)-from package of manual
- ② Door stopper (left)-from package of manual
- ③ Self-tapping screws
- ④ Door stop (right)
- ⑤ Door stopper (right)

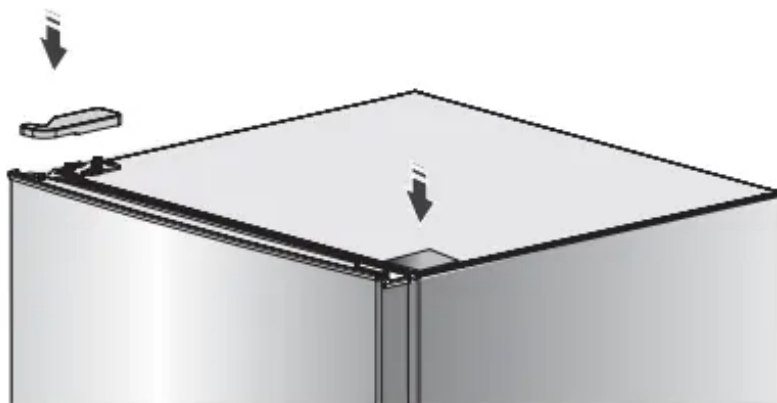
Stand the refrigerator then move lower door and adjust its position to align lower hole(left)

site and lower hinge axis. Then adjust middle hinge and align the middle hinge axis to the higher (left) hole site. Then install the middle hinge.

12. Screw out top hinge axis, and change it to the other side, then screw up. Move upper door to appropriate position.



13. Replace and install the right upper hinge cover on the left corner, Replace the screw hole cover on the right corner.



14. Stand and level the appliance.

**NOTE:**

Before the appliance is powered, We recommend that you should wait for about 2 hours.



**Warning**

This content is compiled from multiple sources and is provided for reference purposes only. It may not be complete or fully applicable to all situations. If you are unable to resolve your issue, please contact the product manufacturer or an authorized service provider for official support.

---

Document generated by [ManualsFile](#)