

PACKAGE CONTENTS

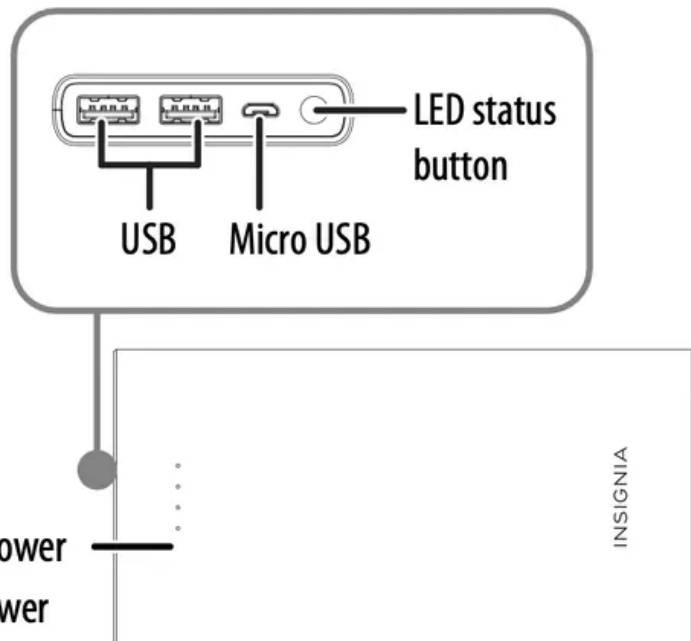
- Mobile battery pack
- Micro USB charging and sync cable
- Quick Setup Guide

Before using your new product, please read these instructions to prevent any damage.

COMPATIBILITY

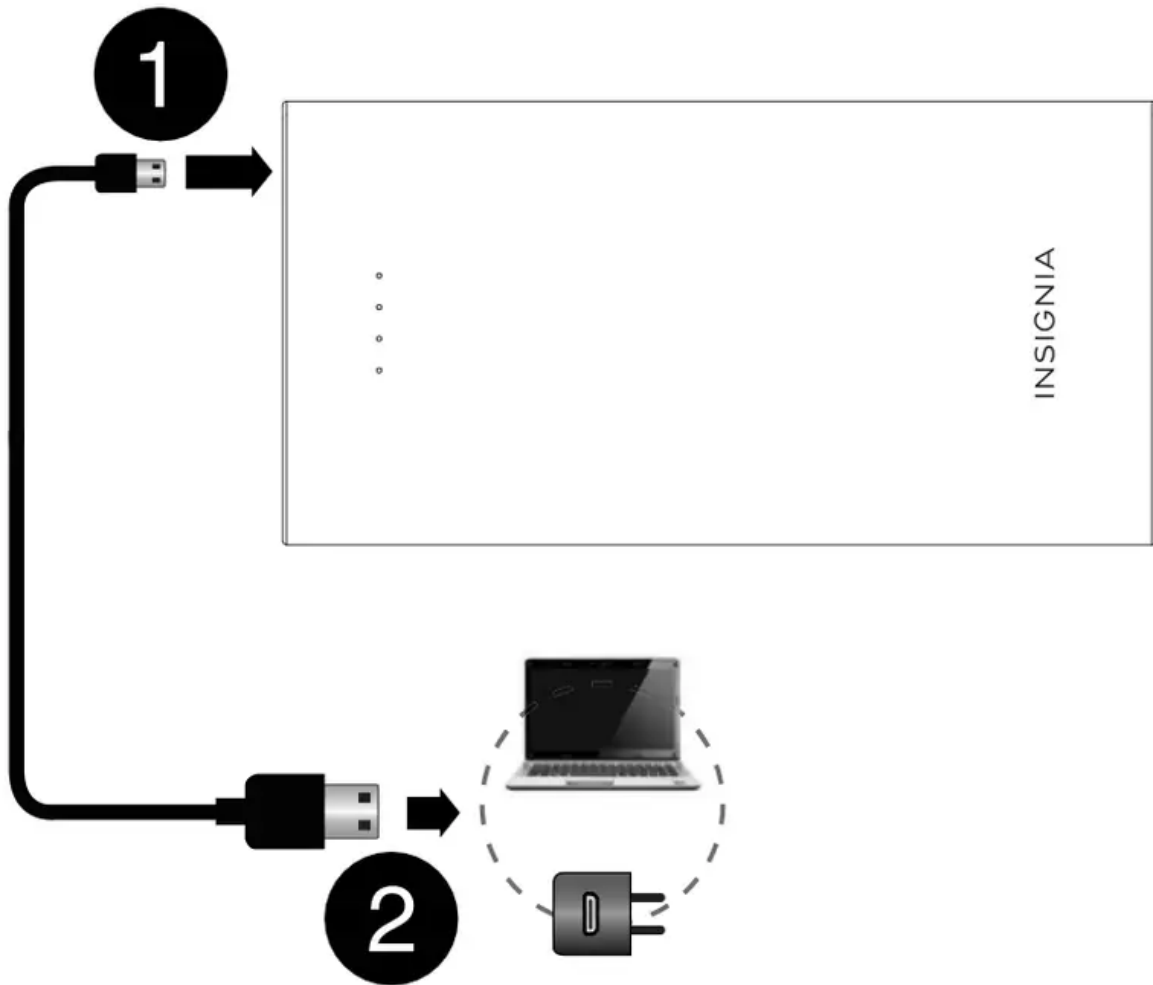
- Compatible with most mobile devices, including iPhones.
- If your device requires a different connector, use the cable that came with your device.

FEATURES



- 4 LEDs = 75-100% power
- 3 LEDs = 50-75% power
- 2 LEDs = 25-50% power
- 1 LED = 5-25% power
- ⚡ Blinking LED = < 5% power
- If none of the LEDs light, the battery needs to be recharged.

CHARGING YOUR MOBILE BATTERY

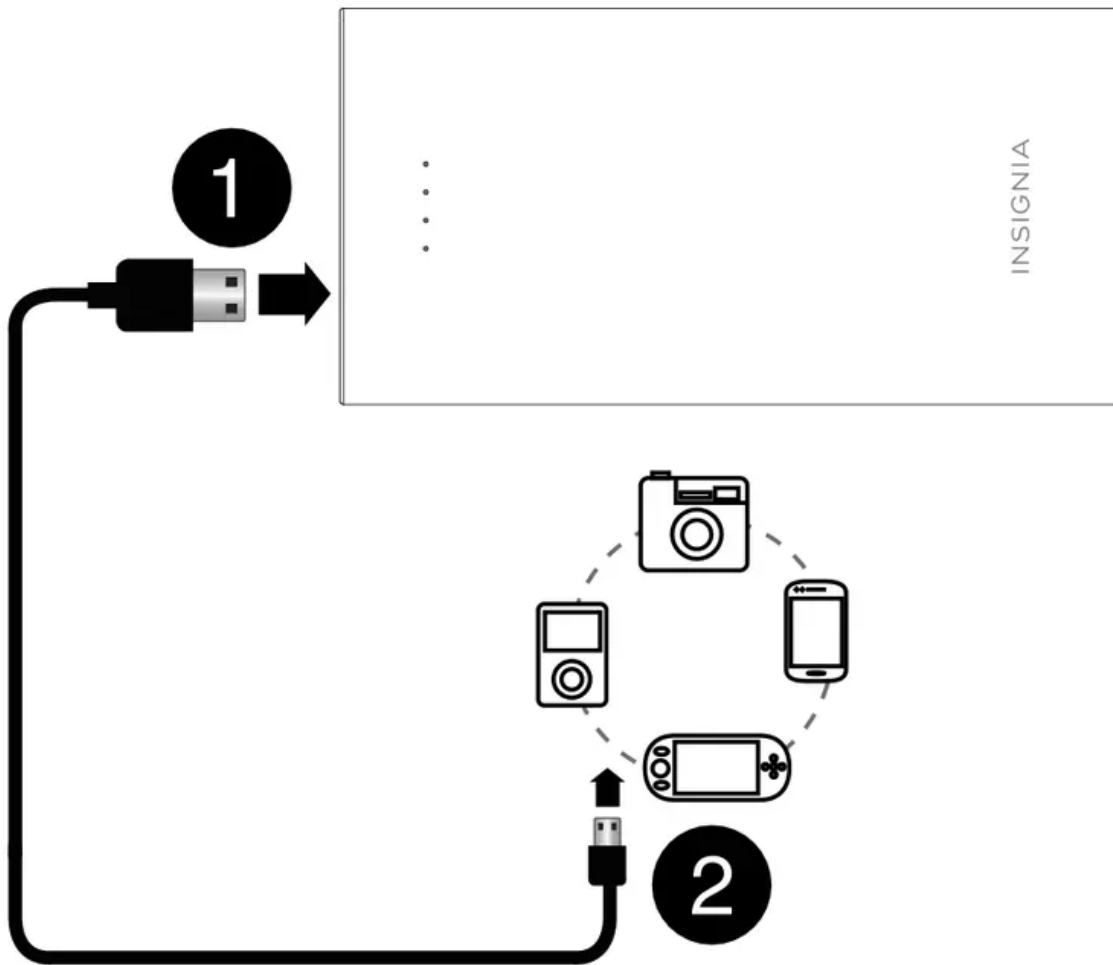


Fully charge your mobile battery before using it for the first time. This will take about four hours.

1. Plug the small end of the USB cable into the mobile battery's micro USB port.
2. Plug the other end into a standard USB port on your computer, vehicle charger, or wall charger (not included). The mobile battery automatically begins charging and the blue LED turns on.

Note: All four LEDs turn on when the mobile battery is fully charged.

CHARGING YOUR DEVICES



1. Plug the large end of the USB cable into the mobile battery's USB port.
2. Plug the other end into your device. The mobile battery automatically begins charging your device.

Notes:

- If your device requires a different connector than the one provided, use the cable that came with your device.
- If you connect two USB devices, 2.1A power is shared between the two ports. If your device does not charge fast enough, disconnect the second USB device.

SAFETY INFORMATION/CAUTION

- Do not expose your mobile battery pack to heat, fire, or water.
- Do not modify, disassemble, open, drop, crush, puncture, or shred the internal battery.
- This is not a toy. Young children should be supervised to make sure that they do not play with the mobile battery.

- Do not charge electronic devices while the battery pack is recharging.
- Recharge the mobile battery before use if it has not been used for more than 90 days.
- Risk of fires and burns. Do not open, crush, heat above 140°F (60°C), or incinerate. Follow the manufacturer's instructions.
- Operation environment temperature: 32~104°F (0~40°C).

This product is safe for regular use under normal conditions. As with any device using electrical power, some situations may be unsafe and injuries or damages could result. To minimize or avoid unsafe conditions, read and follow the instructions before using.

SPECIFICATIONS

Model	NS-MB8002	NS-MB10002	NS-MB12002	NS-MB15002
Input	5V, 2A	5V, 2A	5V, 2A	5V, 2A
Output	5V, 2.1A (total)	5V, 2.1A (total)	5V, 2.1A (total)	5V, 2.1A (total)
Capacity	8000 mAh	10000 mAh	12000 mAh	15000 mAh

Warning

This content is compiled from multiple sources and is provided for reference purposes only. It may not be complete or fully applicable to all situations. If you are unable to resolve your issue, please contact the product manufacturer or an authorized service provider for official support.

