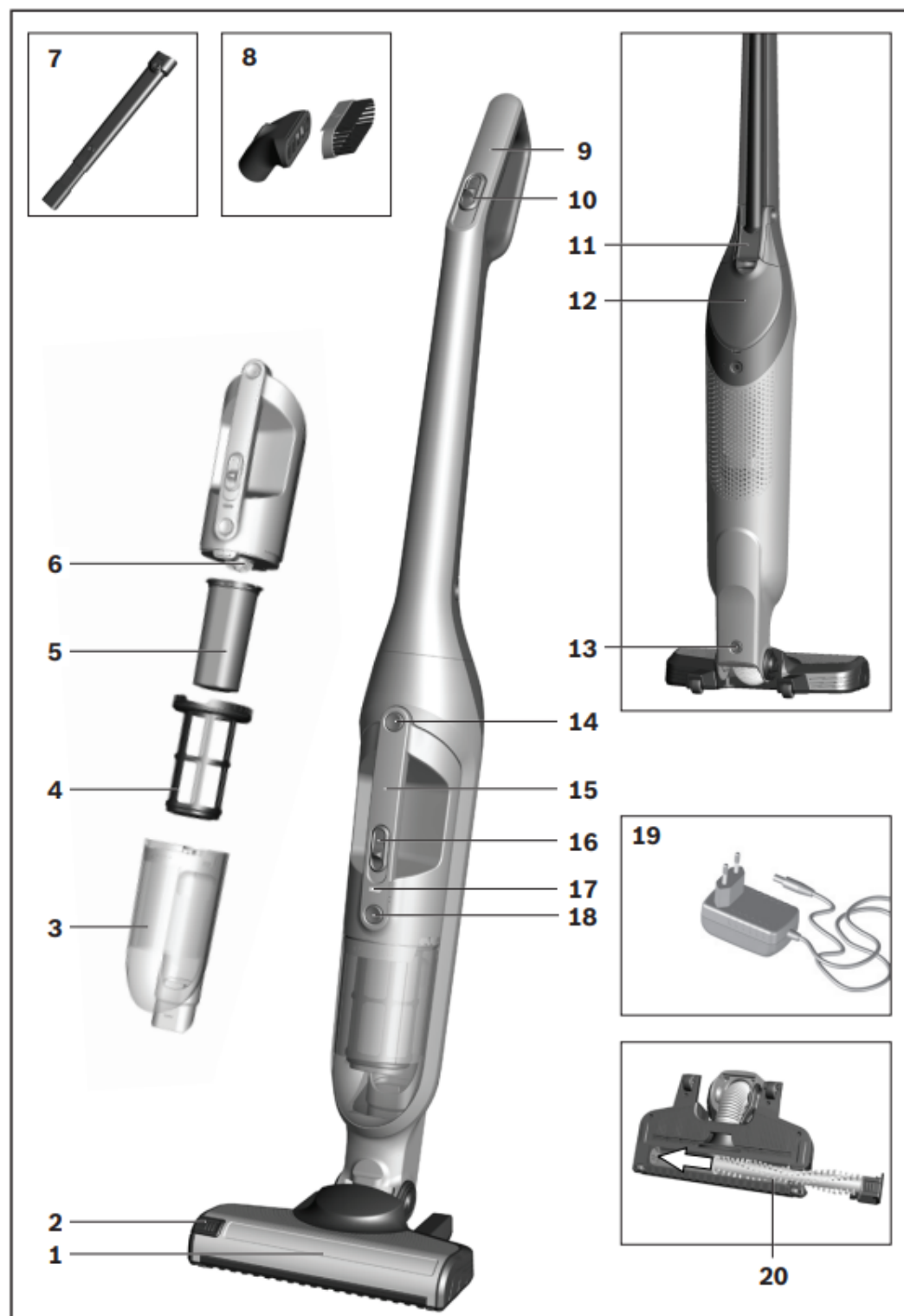


## Your vacuum cleaner

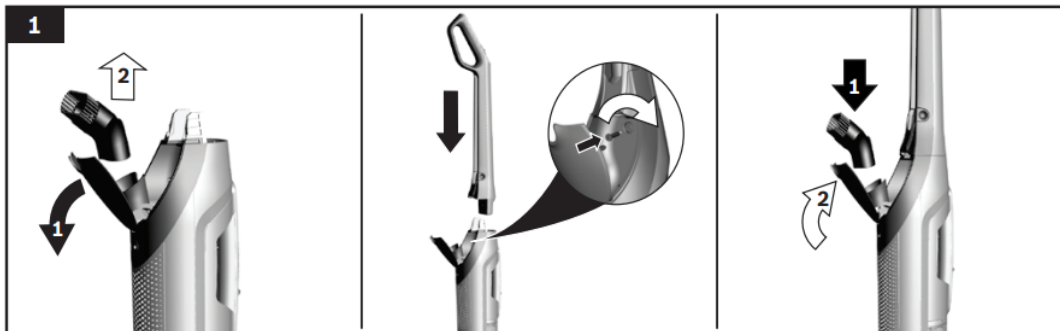


1. Floor nozzle with electric brush

2. Brush roller release button

3. Dust container
4. Outer filter unit
5. Filter cartridge with motor protection filter and foam filter
6. Motor unit
7. Extendable crevice nozzle\*
8. Combination nozzle\*
9. Hand stick handle
10. Hand stick sliding switch
11. Accessory holder for extendable crevice nozzle
12. Accessory compartment for combination nozzle
13. Floor nozzle release button
14. Hand-held cordless vacuum cleaner release button
15. Hand-held cordless vacuum cleaner handle
16. Hand-held cordless vacuum cleaner sliding switch
17. Battery charging status indicator
18. Dust container release button
19. Charging cable\*
20. Brush roller

## Before using the appliance for the first time



- Open the accessory compartment and remove the combination nozzle.
- Carefully place the handle onto the main housing and screw it into place.
- Place the combination nozzle in the accessory compartment and close it.

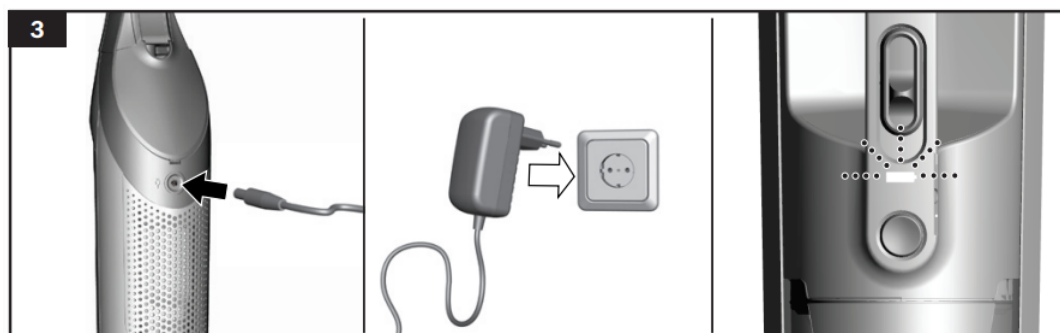


- Plug the hand stick into the floor nozzle and lock it into place.
- To release the floor nozzle, press the release button and pull the hand stick out of the nozzle.

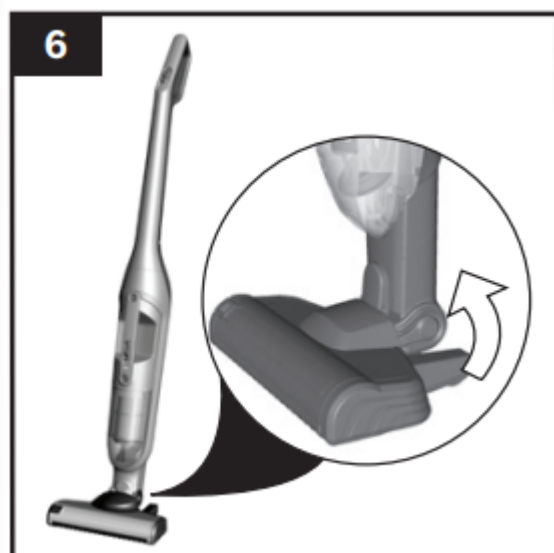
## Charging

Caution: Before using the vacuum cleaner for the first time, fully charge the batteries.

To charge the appliance, only use the charging cable included with the appliance. The charging cable must only be connected and operated as specified on the rating plate. Do not charge the appliance at temperatures below 0 °C or above 40 °C.



- To charge the vacuum cleaner, place it near to a socket. The appliance can be left standing anywhere on the floor. Fig. 6



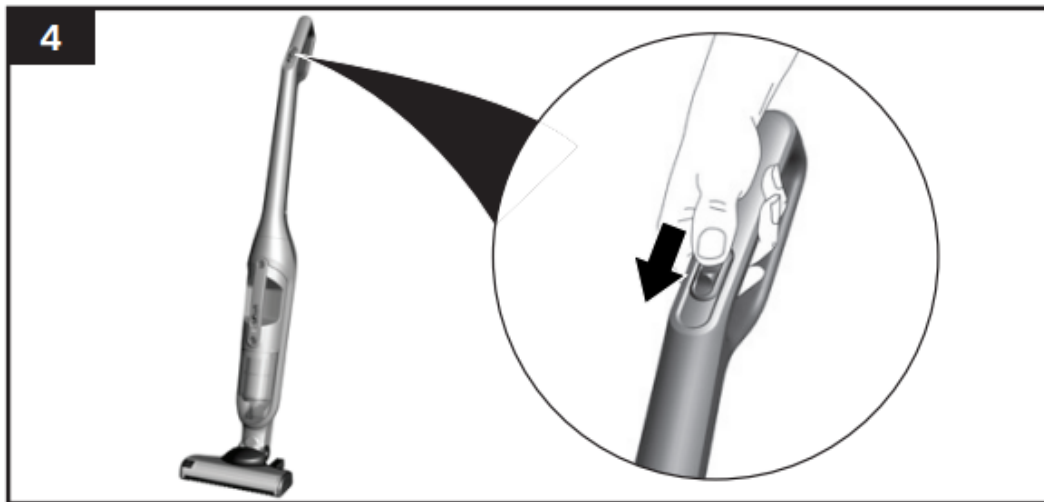
- Plug the charging cable into the connection at the rear of the appliance. Plug the charging cable plug into the socket.
- The charging indicator is flashing slowly in white when the appliance is charging.
- Once the battery is fully charged, the charging indicator lights up white and goes out after a few minutes. The battery will stop charging. Disconnect the appliance from the mains briefly to check. The indicator will then light up white again.
- It is safe to leave the appliance connected to the charging cable and socket even when it is fully charged.
- It is normal for the charging cable and hand stick to become hot and this is not a cause for concern.

### Battery state indicator

Operating status	LED indicator
Normal mode	White LED lit
Battery capacity below 20%	Red LED flashing slowly
Battery flat	LED off
Charging	White LED flashing slowly
Battery is fully charged	White LED remains lit continuously for 2 minutes, then goes out
Over-/undertemperature protection	Red LED remains lit continuously for 10 seconds, then goes out

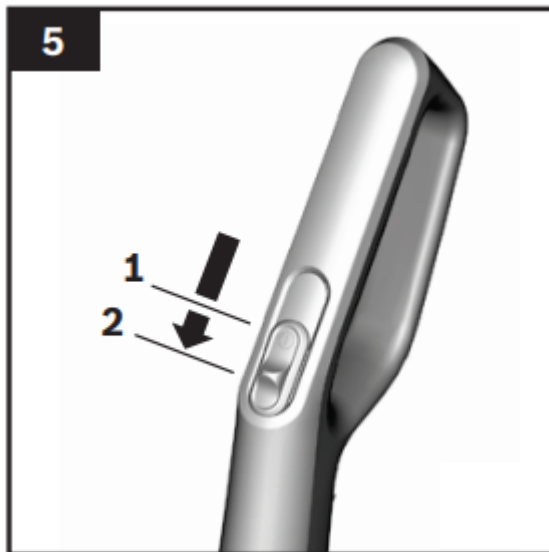
# Using the hand stick vacuum cleaner

## Vacuuming



- Actuate the sliding switch in the direction of the arrow.

## Controlling the suction level



Slide the sliding switch into the required position in order to set the suction power:

- Position 1: Vacuuming with the electric brush switched on. For routine cleaning tasks on all surfaces. The appliance achieves the maximum run time at this level.
- Position 2: Vacuuming with the electric brush switched on. For stubborn cleaning tasks on all surfaces (carpets, in particular). The appliance achieves a shorter runtime at this level.

## Runtime

Like every other Li-Ion battery the battery is subject to natural wear as well. That means the battery capacity and thus runtime decrease over time. This is a natural aging process and not the result of a material/ production failure or a product defect

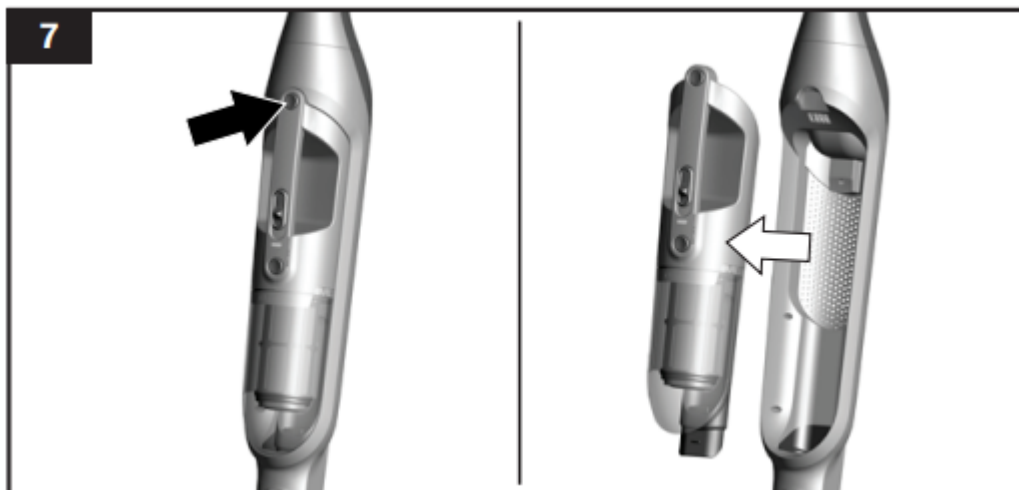
	BBH3/BCH3 25,2V	BBH3/BCH3 21,6V
On normal mode with electrical nozzle for normal cleaning tasks	Up to 55 min	Up to 50 min.
Turbo mode with electrical floor nozzle or hand-held for demanding cleaning tasks	Up to 20 min.	Up to 18 min.



- During short pauses in vacuuming, the appliance can be left standing anywhere in the room. To do this, tilt the vacuum cleaner forwards slightly in the direction of the nozzle.

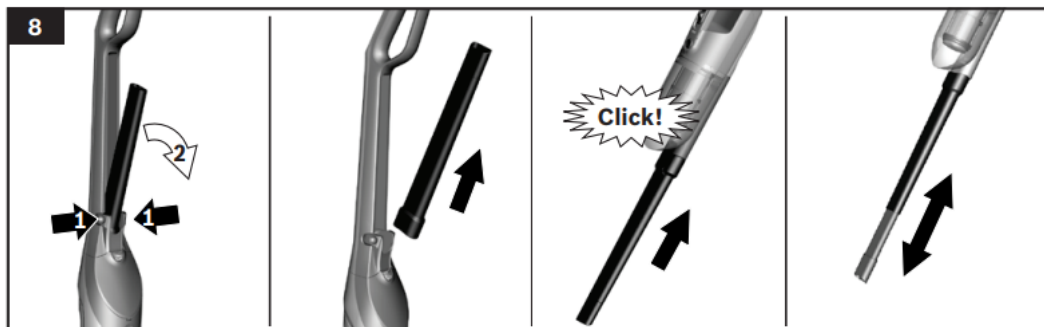
Caution: When the appliance is left standing, it must be switched off because, if the brush is turning while the appliance is standing still, it could cause damage to the floor covering.

## Using the hand-held cordless vacuum cleaner



- Unlock the hand-held cordless vacuum cleaner by pressing the release button and remove it from the hand stick.

## Vacuuming with accessories



### Crevice nozzle

- For vacuuming in difficult-to-reach places and overhead.
- Open the accessory holder using the recessed grip and remove the crevice nozzle. Place it on the air intake opening of the cordless handheld vacuum cleaner and click into place.
- The crevice nozzle can be extended as required. To do this, press the unlock button, pull out the crevice nozzle and engage it in the end position.
- After use, push the crevice nozzle together again, place it in the accessory holder and close the holder.



## Combination nozzle

- Combination nozzle with furniture brush and upholstery nozzle for vacuuming window frames, cupboards, furniture, etc.
- Open the accessory compartment and remove the combination nozzle. Place it on the air intake opening of the upright vacuum cleaner and click into place.
- The furniture brush attachment can be pushed to the side. The upholstery nozzle is located underneath.
- The combination nozzle can also be placed on the tip of the crevice nozzle.
- After use, place the combination nozzle back in the accessory compartment for storage, close the accessory compartment, clicking it into place.

## Charging the hand-held cordless vacuum cleaner



- To charge the hand-held cordless vacuum cleaner, insert it into the hand stick and lock into place. Make sure that it is seated correctly.

## After using the appliance

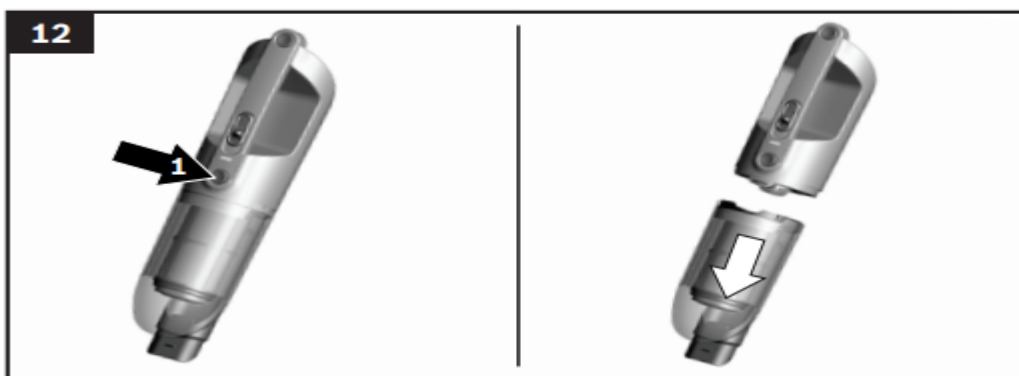


- Switch off the appliance after vacuuming.

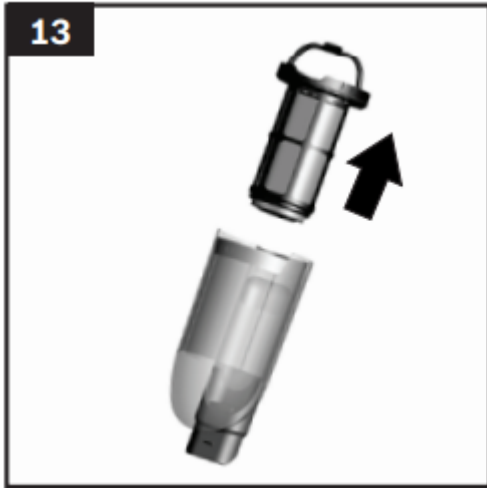
## Emptying the dust container

In order to achieve the best possible vacuuming results, the dust container should be emptied after every use or, at the latest, when dust at one point in the dust container has reached the marking.

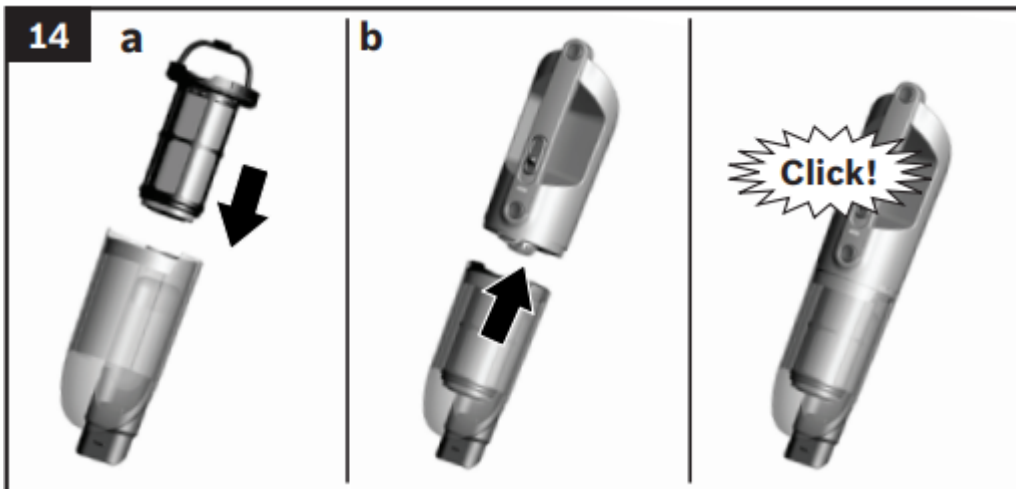
We recommend that you not fill the dust container beyond the marking, as this leads to considerable soiling of the filter.



- Remove the hand-held cordless vacuum cleaner from the hand stick. Fig. 7
- Using the release button, unlock the dust container and remove it from the motor unit



- Take the filter unit out of the dust container.
- Empty the dust container.



- Remove any dirt which may have been lodged underneath the container ejector opening.
- a. Insert the filter unit into the dust container, making sure it is correctly seated

- b. Insert the dust container in the appliance, so that it 'clicks' audibly into place

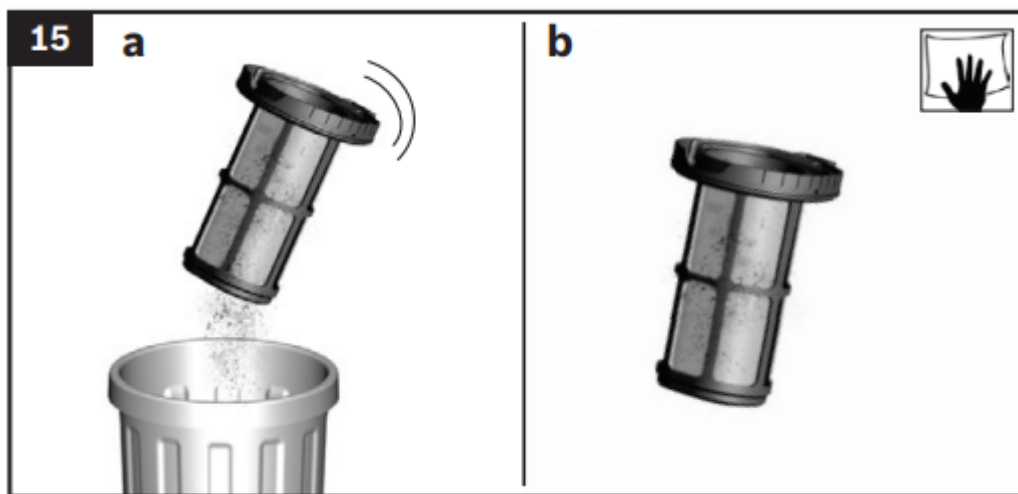
Caution: If you notice any resistance when inserting the dust container, check that the filter is complete and that the filter unit and dust container are correctly seated.

## Cleaning the filter

The outer filter unit and filter cartridge should be cleaned at regular intervals in order to ensure optimum operation of the vacuum cleaner.

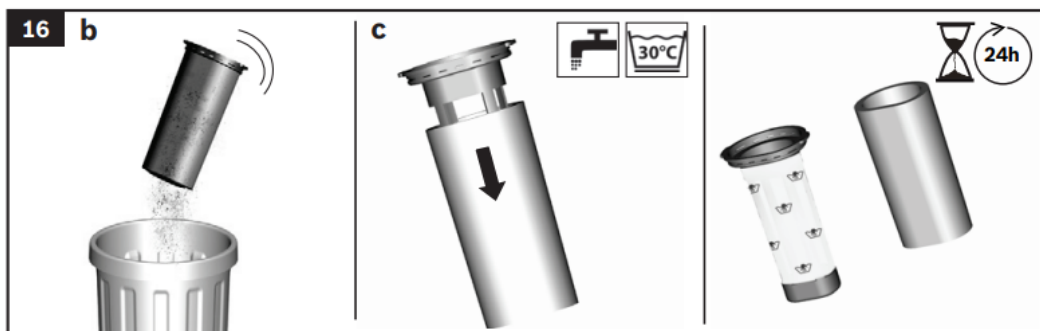
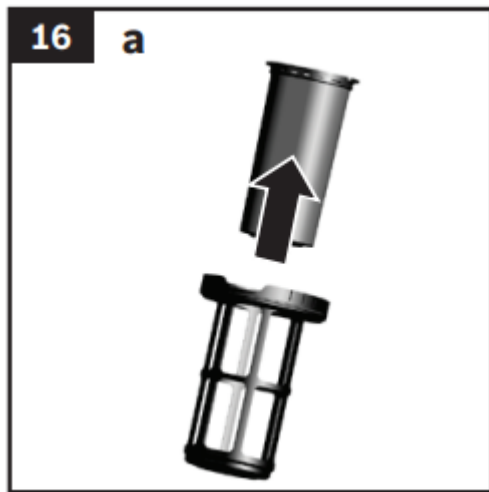
Caution: The filter can only be cleaned if the appliance is switched off.

Never vacuum without the outer filter unit and its fitted filter cartridge.



## Cleaning the outer filter unit

- Switch off the appliance. Fig. 11
- Remove the hand-held cordless vacuum cleaner from the hand stick. Fig. 7
- Using the release button, unlock the dust container and remove it from the motor unit. Fig. 12
- Take the filter unit out of the dust container.
  - a. It is usually sufficient to lightly shake or tap out the whole filter unit when the dust container is emptied in order to dislodge any particles of dirt.
  - b. If this is not sufficient, you can use a dry cloth to remove dirt particles from the surface.



## Cleaning the filter cartridge

- a. Remove the filter cartridge from the filter unit.
- b. Firstly, clean the filter cartridge by tapping out the dirt.
- c. Pull out the foam filter from the motor protection and rinse separately. Allow the foam filter and motor protection filter to dry completely (approx. 24 hours)
  - After fitting the foam filter, insert the filter unit into the dust container.

New filters can be obtained from our after-sales service, if required.

## Cleaning the floor nozzle

Before carrying out any maintenance, switch off the vacuum cleaner and disconnect it from the charging cable



- Use the release button to release the brush roller and pull it sideways out of the floor nozzle.
- Using the groove provided, cut through threads and hairs wound round the rollers with scissors.
- Push the brush roller in sideways along the guide rod in the floor tool and lock in place using the release button.

Caution: The floor nozzle must only be put into operation with the brush roller fitted.

Caution: Floor nozzles are subject to a certain amount of wear, depending on the type of hard floors you have (e.g. rough, rustic tiles). You must therefore check the underside of the floor tool at regular intervals. Worn undersides of floor nozzles may have sharp edges that can damage delicate hard floors, such as parquet or linoleum. The manufacturer does not accept any responsibility for damage caused by worn floor tools.

## Care

- Before cleaning the hand stick vacuum cleaner or handheld cordless vacuum cleaner, it must be switched off and disconnected from the charging cable. The vacuum cleaner and accessories can be cleaned using a standard commercially-available plastic cleaner

Caution: Do not use abrasive materials, glasscleaning agents or all-purpose cleaning products. Never immerse the vacuum cleaner in water

- Subject to technical modifications.

## Intended use

Please read the information on intended use to ensure that you use the appliance correctly and safely.

### Only use this appliance:

- As specified in this instruction manual.
- With genuine parts and accessories. Damage caused by using third-party products is not covered under the warranty.
- For cleaning surfaces.
- In private households and in enclosed spaces in a domestic environment at room temperature.
- Up to an altitude of max. 2000 m above sea level.

### In order to prevent injuries and damage, the vacuum cleaner must not be used for:

- Vacuuming persons or animals.
- Vacuuming up:
  - Hazardous, sharp-edged, hot or red-hot substances.
  - Damp or liquid substances.
  - Highly flammable or explosive substances and gases.
  - Ash, soot from tiled stoves and central heating systems.
  - Toner dust from printers and copiers.

## Proper use

- To charge, only use the charging cable included in the scope of supply.
- The charging cable must only be connected and operated as specified on the rating plate.
- The appliance must only be stored and charged indoors.
- Do not expose the appliance to temperatures below 0 °C or above 40 °C.
- Never vacuum without the dust bag or dust container, motor protection or exhaust filter. = This > may damage the vacuum cleaner.
- Keep the vacuum cleaner away from your head when using nozzles and tubes. => This could cause injury.
- Do not use a damaged charging cable. Replace it with an original charging cable.
- When disconnecting the charging cable from the mains, pull the plug itself to remove it; do not pull on the power cord.

- Do not pull the charging cable over sharp edges or allow it to become trapped.
- Before carrying out any work on the vacuum cleaner, switch off the appliance and disconnect it from the charging cable and the mains.
- Do not operate the vacuum cleaner if it is damaged.
- If a fault is detected, switch off the appliance and disconnect it from the charging cable and the mains.
- For safety reasons, only authorised after-sales service personnel are permitted to carry out repairs and fit replacement parts to the vacuum cleaner.
- In the following cases, you must stop the appliance immediately and contact the after-sales service:
  - If you have accidentally vacuumed up some liquid or liquid has entered the inside of the appliance;
  - If the appliance has been dropped and damaged.
- Protect the vacuum cleaner from outside weather conditions, moisture and sources of heat.
- Do not pour flammable substances or substances containing alcohol onto the filters (motor protection filter, exhaust filter, etc.).
- The vacuum cleaner is not suitable for use on construction sites. => Vacuuming up building rubble may damage the appliance.
- Switch off the appliance when it is not in use.
- For safety reasons, the appliance is fitted with an overheating protection system to safeguard the battery and motors. The appliance will switch off automatically if it or the battery is too hot. => The appliance will need around 30 minutes to cool down before it can be used again.
- The packaging is designed to protect the vacuum cleaner from being damaged during transportation. We therefore recommend keeping the packaging for the purpose of future transportation.

### **Warning**

This content is compiled from multiple sources and is provided for reference purposes only. It may not be complete or fully applicable to all situations. If you are unable to resolve your issue, please contact the product manufacturer or an authorized service provider for official support.