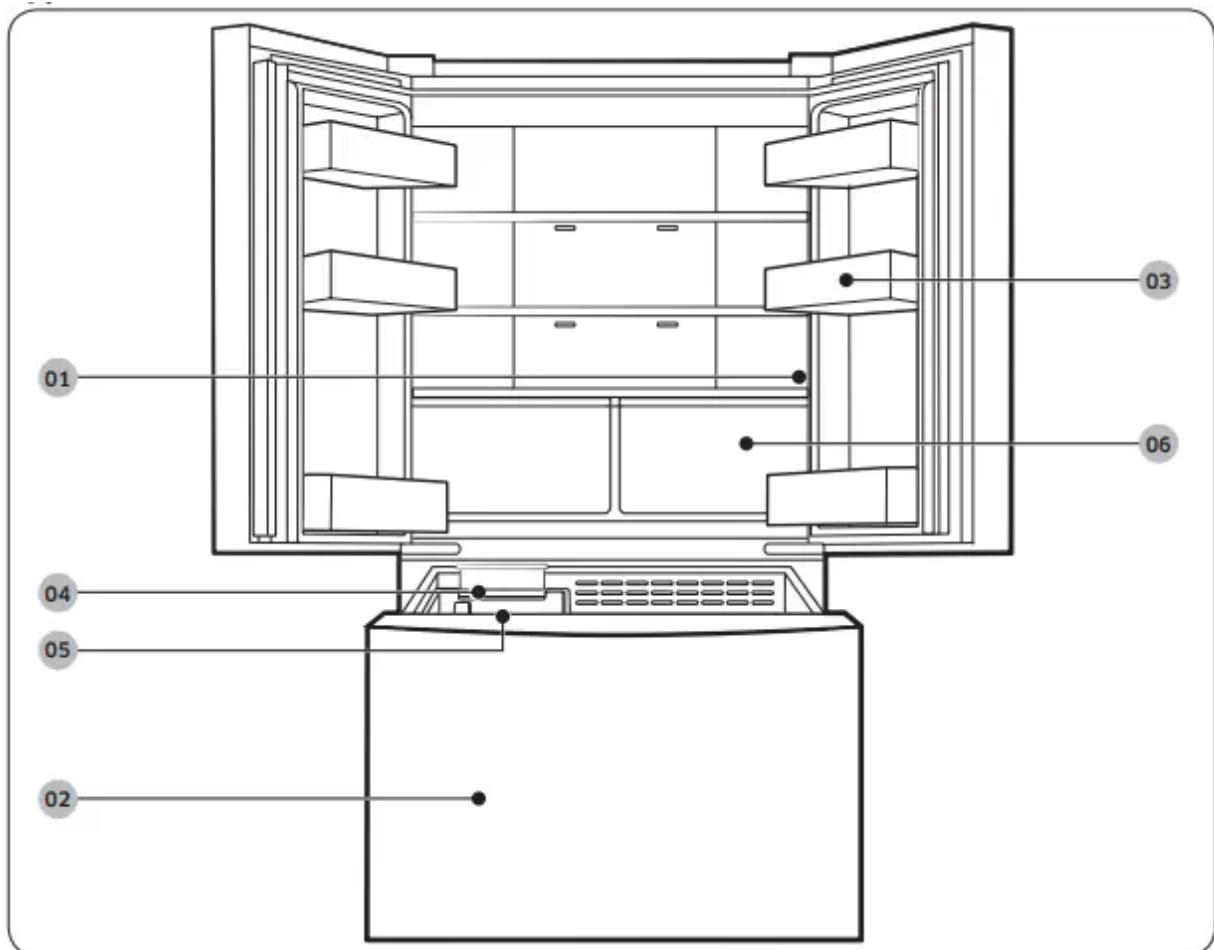


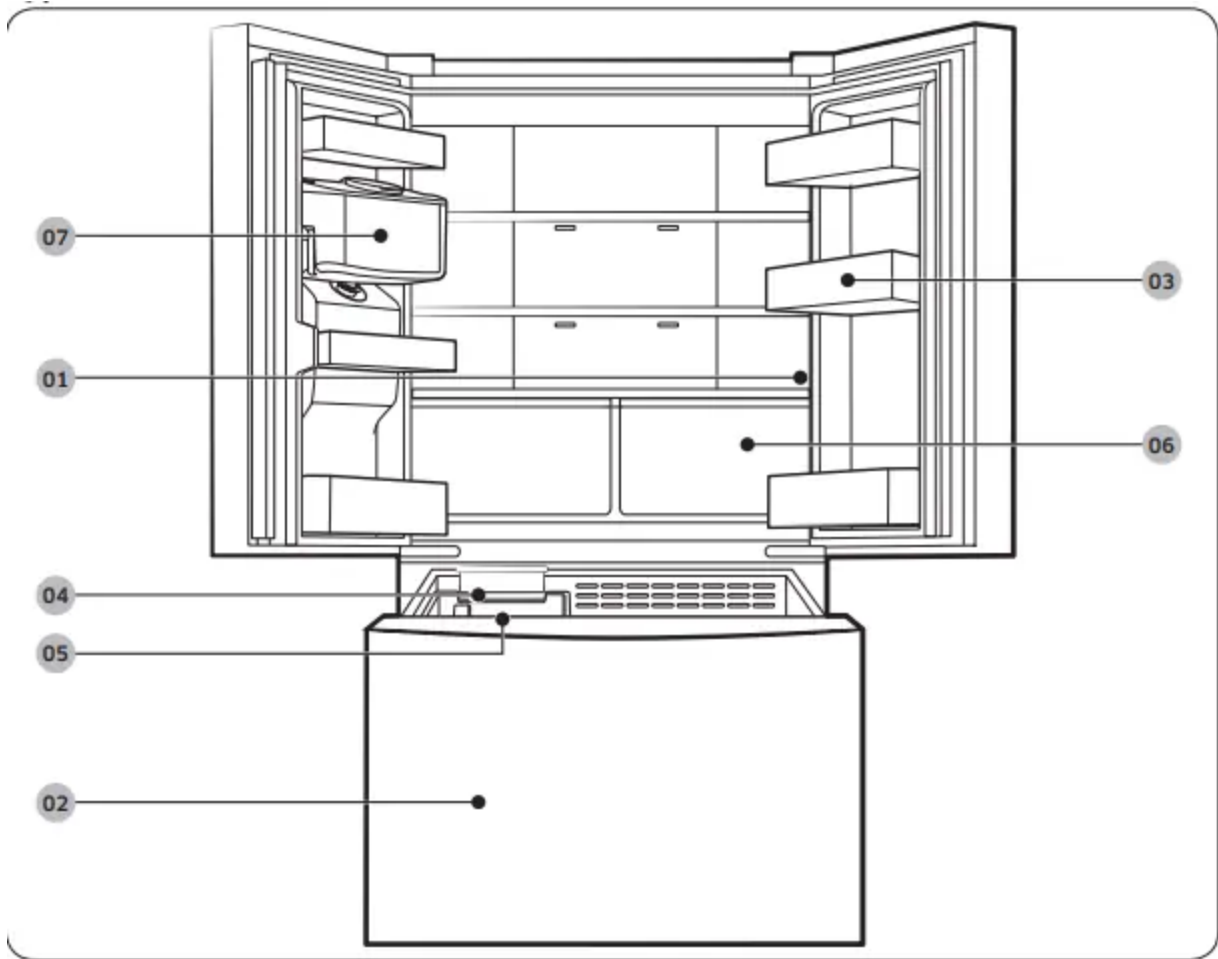
## Refrigerator at a glance

The actual refrigerator and provided parts of your refrigerator may differ from the illustrations in this manual, depending on the model and the country.

### Type A



### Type B



- 01 Main panel
  - 02 Freezer
  - 03 Door bins
  - 04 Ice Maker
  - 05 Ice bucket
  - 06 Fridge drawers
  - 07 Water Tank \*
- \* applicable models only

**NOTE**

- For energy efficiency, keep all shelves, drawers, and baskets in their original positions.
- When closing the door, make sure the vertical hinged section is in the correct position to avoid scratching the other door.
- If the vertical hinged section is reversed, put it back into the correct position, and then close the door.
- Moisture may form at times on the vertical hinged section.
- If you close a door forcefully, the other door may open.



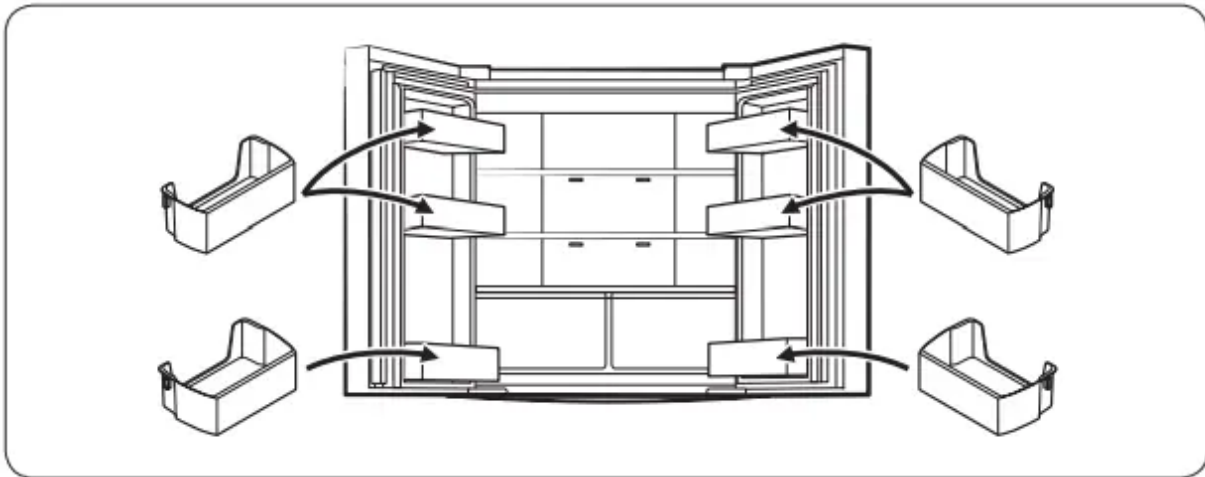
- If the internal or external LED lamp is out of order, contact a local Samsung service center.
- If the door is left open for too long, the top internal LED will blink. This is normal.

## Door bins

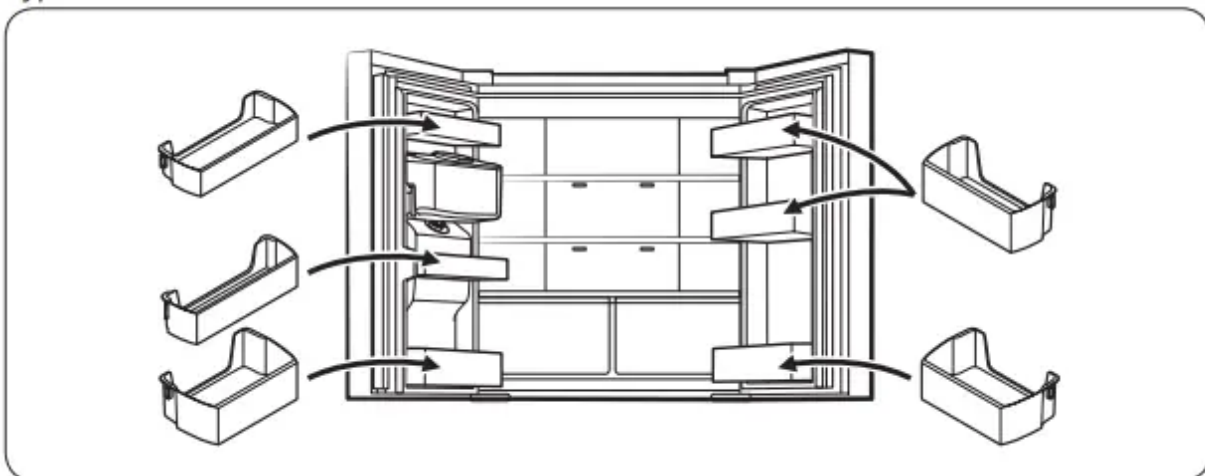
Your refrigerator ships with door bins of different types and sizes. If the door bins for your refrigerator were packaged separately, use the figure below to help you position the bins properly.

The number of door bins provided may differ with the model.

### Type A



### Type B



## Installation

### Step-by-step installation

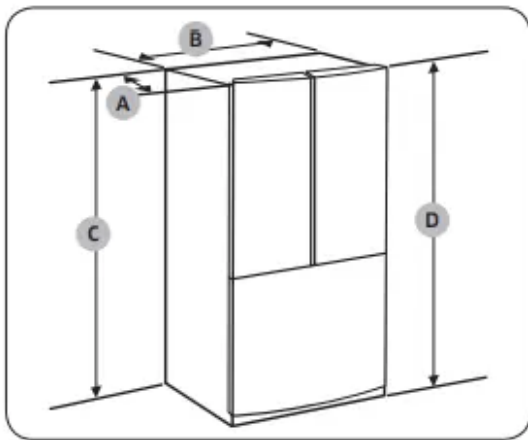
#### STEP 1 Select a site

**Select a site that:**

- Has a solid, level surface without carpeting or flooring that may obstruct ventilation
- Is away from direct sunlight
- Has adequate room for opening and closing the door
- Is away from any heat sources
- Provides room for maintenance and servicing
- Has a temperature range between 10 °C and 43 °C

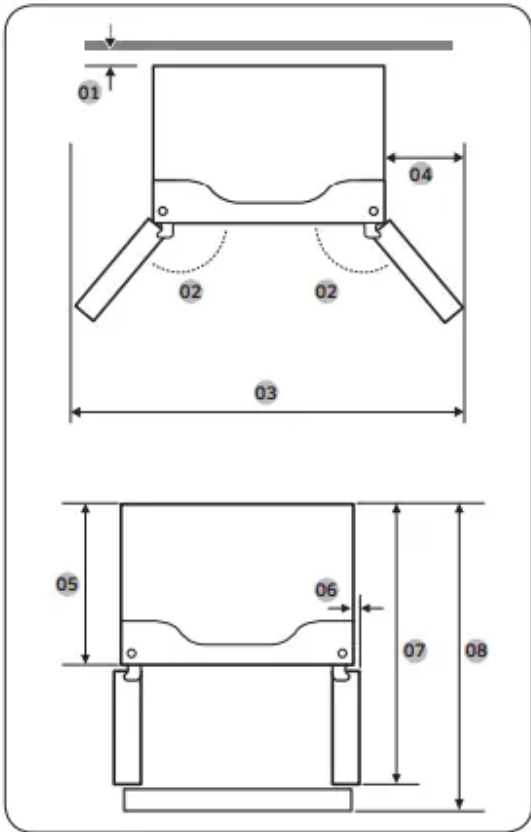
**Clearance**

See the following figures and tables for space requirements for installation.



Model	RF44A* RF50A*	RF49A* RF57A*
Depth "A"	715 mm	765 mm
Width "B"	817 mm	817 mm
Height "C"	1749 mm	1749 mm
Overall Height "D"	1776 mm	1776 mm





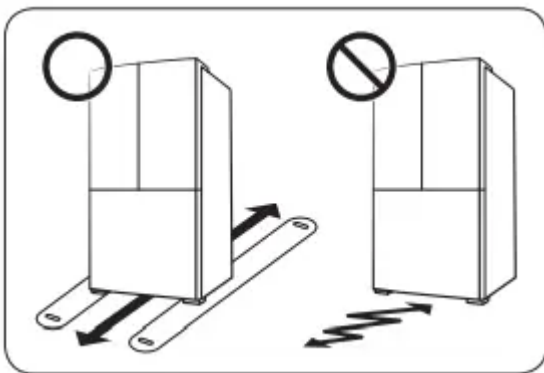
Model	RF44A* RF50A*	RF49A* RF57A*
01	50 mm	50 mm
02	135°	135°
03	1393 mm	1393 mm
04	291 mm	291 mm
05	625 mm	675 mm
06	31.5 mm	31.5 mm
07	1056 mm	1101 mm
08	1082 mm	1132 mm

**NOTE**

The measurements in the table above may differ slightly from the actual measurements, depending on the measuring and rounding method.

**STEP 2 Flooring**

If the refrigerator cannot pass through the entrance due to its size, see Door removal for entrance.



**NOTE**

To prevent floor damage, make sure the front leveling legs are in the upright position.

- The surface you install the refrigerator on must support a fully loaded refrigerator.
- To protect the floor, put a large piece of cardboard along the path to the refrigerator's final installation location.
- Once the refrigerator is in its final position, do not move it unless necessary to protect the floor. If you have to move the refrigerator, place thick paper or cloth such as old carpets along the path of movement.

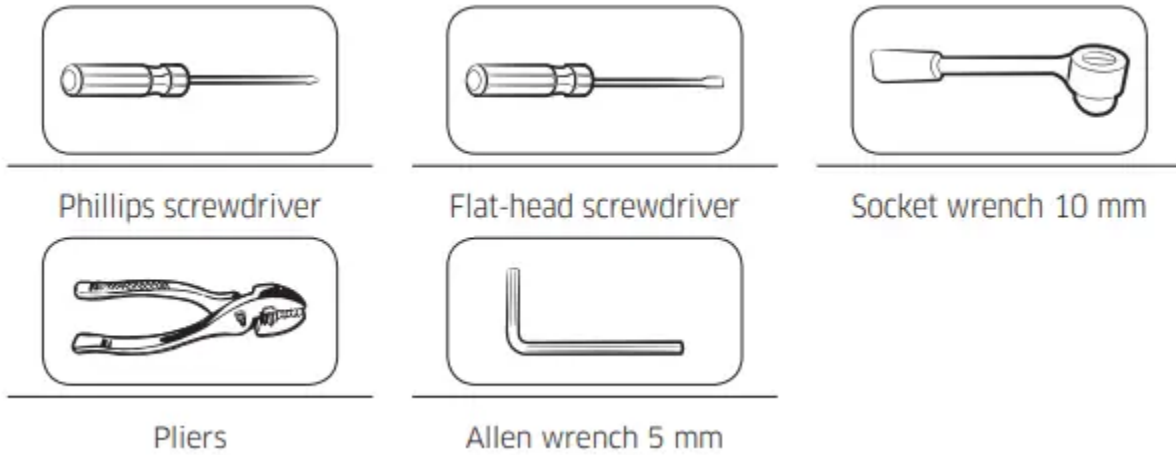
### **STEP 3 Door removal for entrance**

If the refrigerator cannot pass through the entrance to your home or kitchen due to its size, follow these instructions to remove and then re-install the refrigerator's doors. If you do not need to remove the doors, go to page 40 to continue the installation procedure.

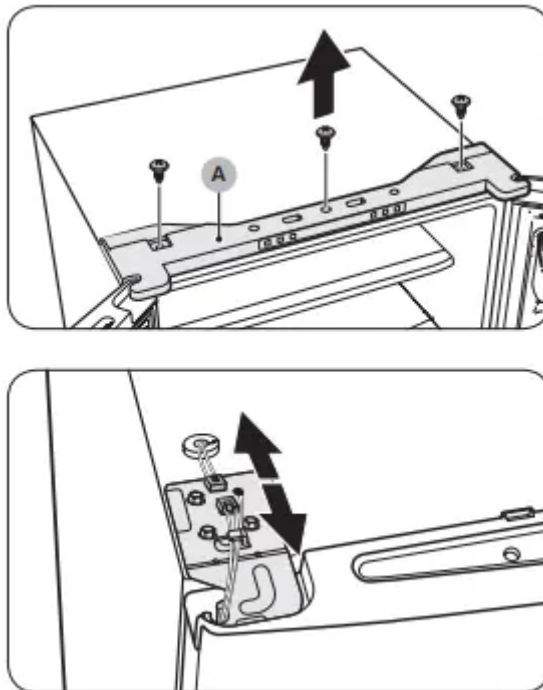
#### **WARNING**

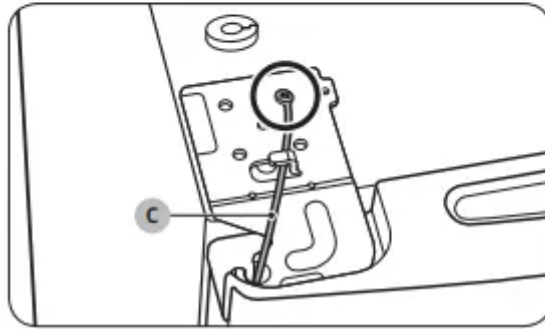
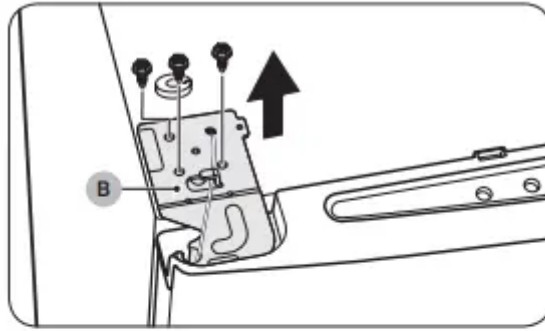
Unplug the power cord of the refrigerator before removing the doors.

#### **Tools required (not provided)**

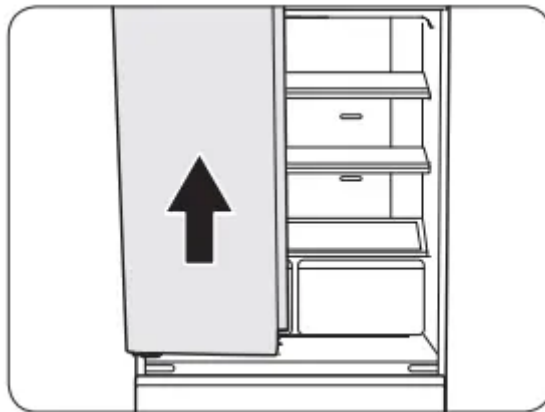
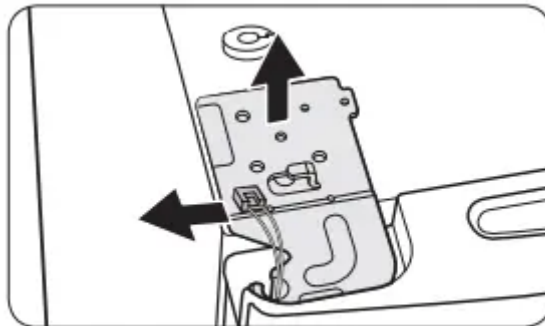


#### **Detach the fridge doors**





1. Use a Phillips screwdriver to remove the screws fastening the top cover (A).
2. Disconnect the wires on the top of the refrigerator.
3. Use a socket wrench (10 mm) to remove the screws fastening the top hinge (B).
4. Use a Phillips screwdriver to remove the screw fastening the ground wire (C).



5. Remove the top hinge from the door.

**NOTE** Remove the top hinge carefully. The wires from the door are arranged through the hinge shaft.

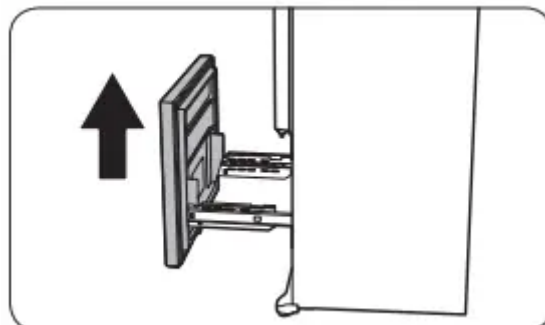
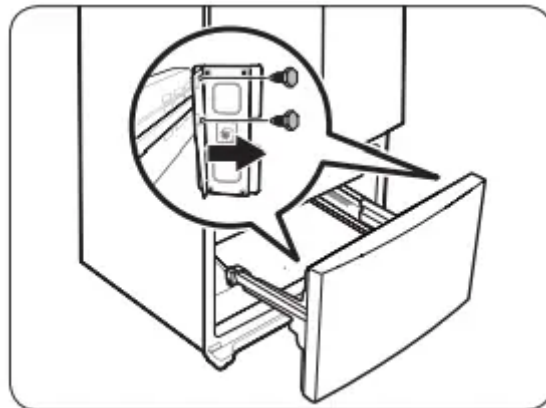
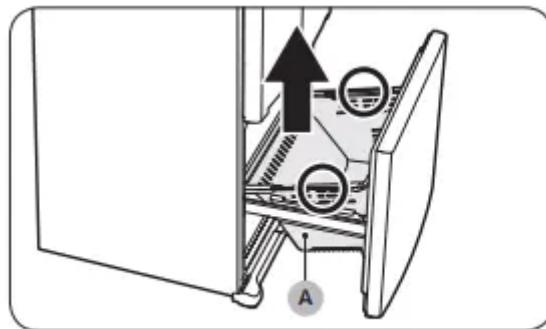
6. Gently pull up the fridge door to remove. Do not apply excessive force to the door. The door may fall, causing physical injury.

7. Lay the door down on a flat surface.

### To reattach the fridge doors

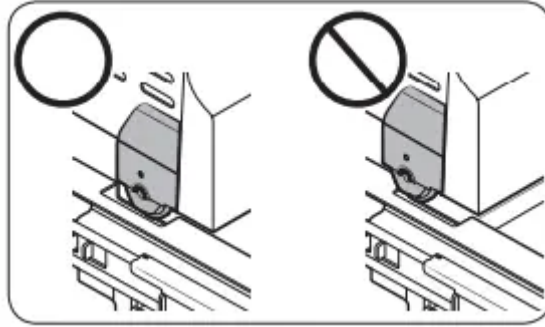
After moving the refrigerator to its final location, reattach the doors by following the removal instructions in the reversed order.

### Detach the freezer drawer



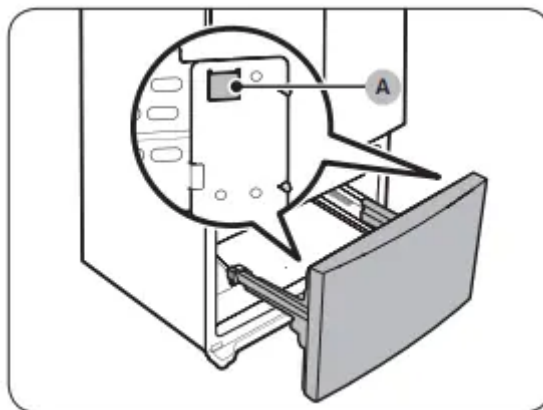
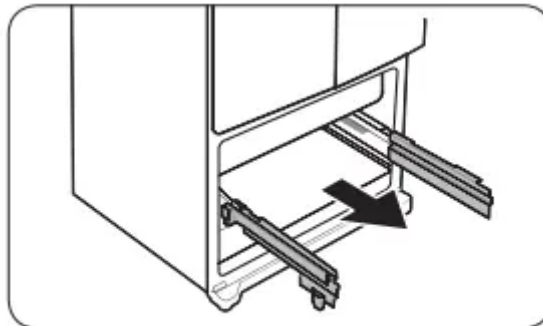
1. Fully open the freezer drawer, and then lift the drawer basket (A) to remove.
2. Use a socket wrench (10 mm) to remove the 4 screws fastening the door.
3. Lift the freezer door from the rails to remove.

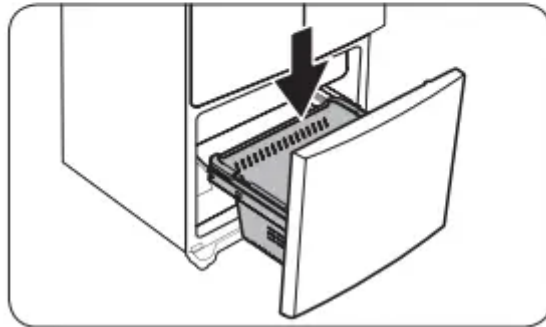
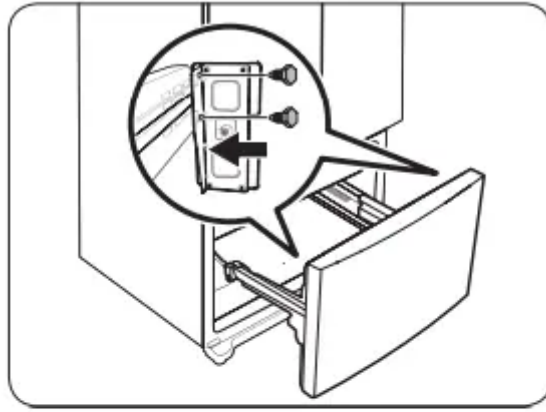
## CAUTION



- Be careful not to scratch or dent the rail assembly.
- Make sure you mount the freezer baskets in the correct position. Otherwise, the door will not open or close properly, which causes frost to build up.
- Do not store too much food in the freezer drawer. This prevents the freezer drawer from closing properly, resulting in frost buildup.

### To reattach the freezer drawer





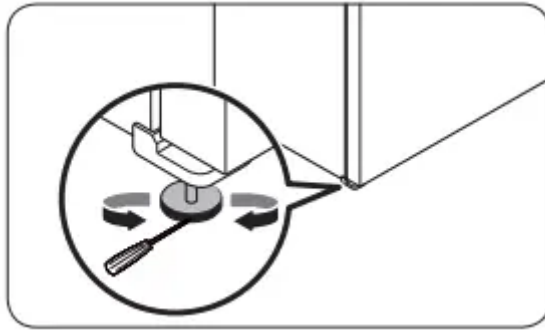
1. Fully pull out the freezer drawer rails.
2. Attach the freezer door to the slots (A) at the side of the rails.
3. Use a socket wrench (10 mm) to fasten the door to the rail with 4 screws.
4. Insert the freezer basket back into its position.

#### **STEP 4 Leveling the refrigerator**

##### **CAUTION**

- When installed, the refrigerator must be leveled on a flat, solid floor. Not leveling the refrigerator can cause damage to the refrigerator or physical injury.
- Leveling must be performed with the refrigerator empty. Make sure no food items are inside the refrigerator.
- For safety reasons, adjust the front a little higher than the rear.

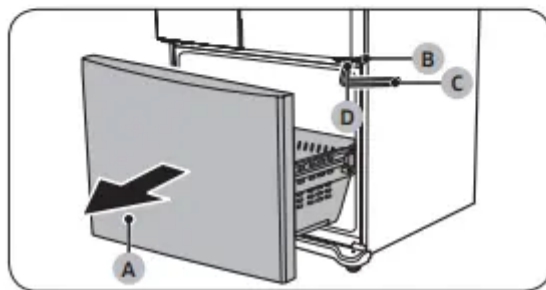
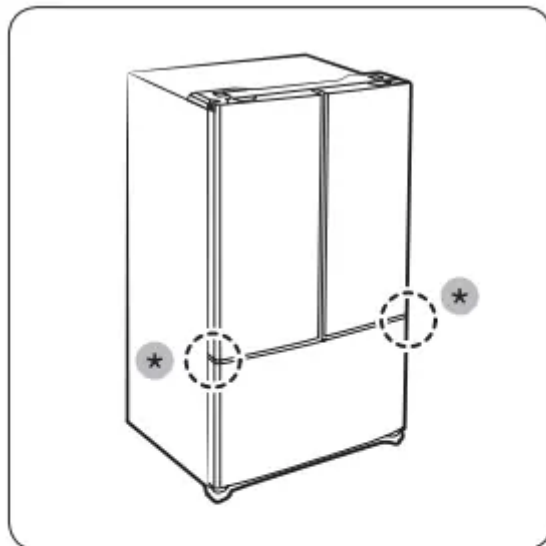
Level the refrigerator using the special screws (levelers) on the front legs. Use a flat-head screwdriver to turn the levelers.



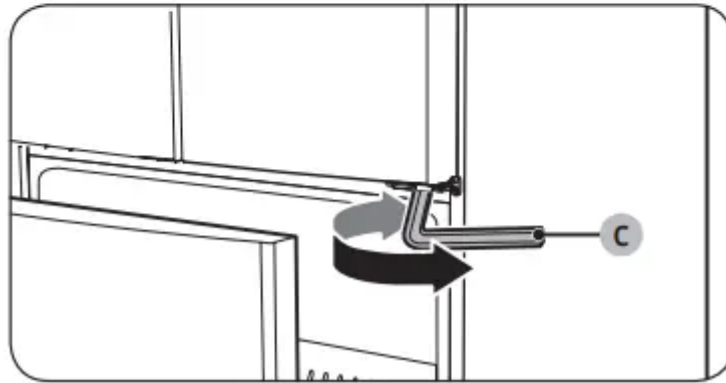
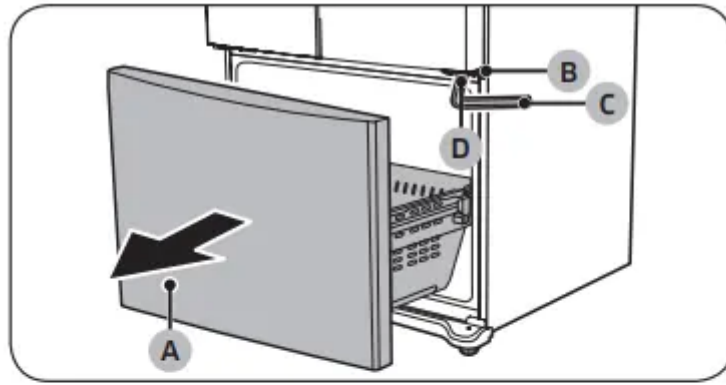
To adjust the height of the left side:

- Insert a flat-head screwdriver into the leveler of the left side front leg. Turn the leveler clockwise to raise the left side or turn it counterclockwise to lower.
- To adjust the height of the right side: Insert a flat-head screwdriver into the leveler of the right side front leg. Turn the leveler clockwise to raise the right side or turn it counterclockwise to lower.

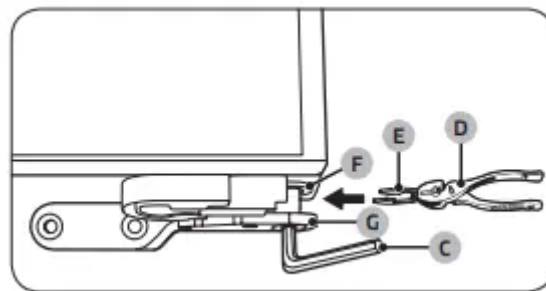
### **STEP 5 Align the fridge doors**



- Before aligning the fridge doors, make sure the refrigerator is level. Refer to the “Leveling the refrigerator” section for detailed instruction.
- You can use the adjustment parts (\*) at the bottom of both fridge doors to raise or lower the door.



1. Fully open the freezer drawer (A), and then find the middle hinge (B).
2. Insert the Allen wrench (C) into the shaft (D) of the middle hinge.
3. Turn the Allen wrench (C) clockwise or counterclockwise to raise or lower the door.



4. Use the Pliers (D) to insert the provided snap ring (E) in the gap between the hinge-grommet (F) and the middle hinge (G). The number of snap rings depends on the gap.

**NOTE** Two 0.04" snap rings are provided with the product.

### **STEP 6 Connect the water dispenser line (applicable models only)**

A water dispenser with a filter is one of the helpful features on your new refrigerator. To help promote better health, the water filter removes unwanted particles from your water. However, it does not sterilize or destroy microorganisms. You may need to purchase a water purifying system to do that.

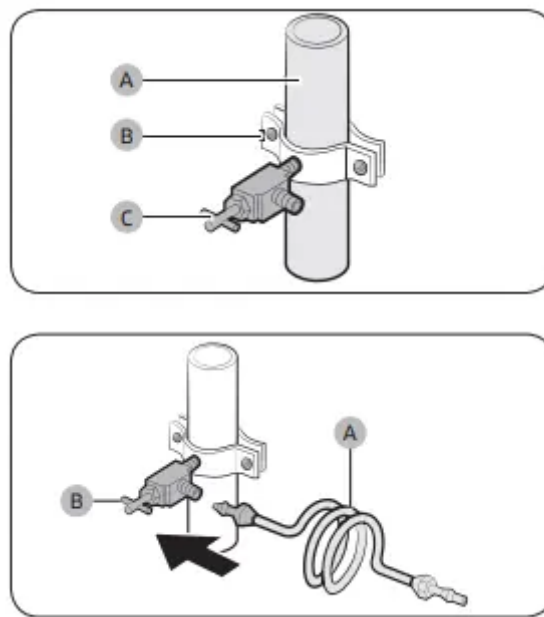
The water line also connects to the ice maker. For the ice maker to operate properly, water pressure of 206 to 827 kPa is required.

If the refrigerator is installed in an area with low water pressure (below 30 psi / 206 kPa), you can install a booster pump to compensate for the low pressure.

After you have connected the water line, make sure the water storage tank inside the refrigerator is properly filled. To do this, press the water dispenser lever until water runs from the water outlet.

## NOTE

Water line installation kits are available at extra cost from your retailer. We recommend using a water line installation kit that contains copper tubing and a 6 mm compression nut.

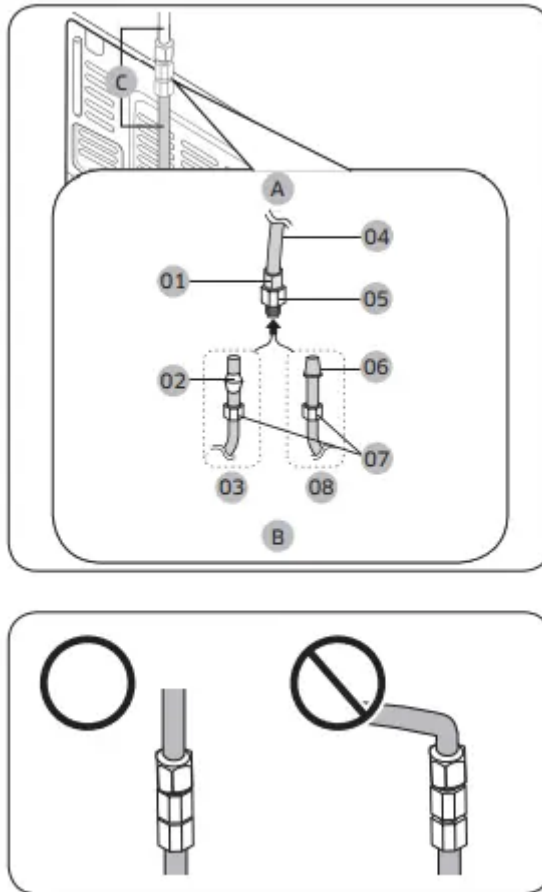


1. Shut off the main water source.
2. Insert the pipe clamp (B) and the shutoff valve (C) into the cold water line (A).
3. Connect the water line installation kit (A) to the shutoff valve (B).

## Connect the water supply line to the refrigerator

There are several items you must purchase to complete this connection. You may find these items sold as a kit at your local hardware store.

Copper Tubing	<ul style="list-style-type: none"><li>• 1/4" copper tubing</li><li>• 1/4" compression nut (1 pc)</li><li>• Ferrule (2 pc)</li></ul>
Plastic Tubing	<ul style="list-style-type: none"><li>• 1/4" plastic tubing → Molded end (Bulb)</li><li>• 1/4" compression nut (1 pc)</li></ul>

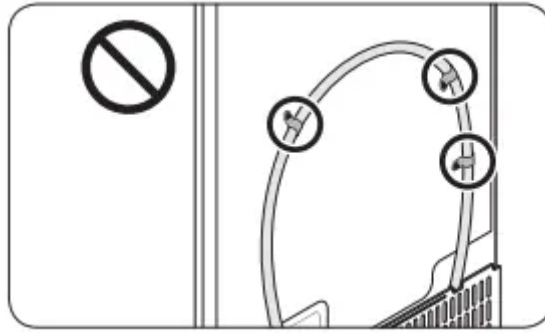


- A. Refrigerator
- B. Household water supply line
- C. Water Line: must be kept straight.
- 01 Compression Nut (1/4") (Assembled)
- 02 Ferrule (Not supplied)
- 03 Copper tubing (Not supplied)
- 04 Plastic Tubing (Assembled)
- 05 Compression Fitting (Assembled)
- 06 Molded end (Bulb)
- 07 Compression nut (1/4") (Not supplied)
- 08 Plastic Tubing (Not supplied)

**NOTE**

If you have to relocate the refrigerator after connecting the water line (C), make sure the joined section of the water line is straight.





## CAUTION

Do not mount the water filter on any part of the refrigerator. This may damage the refrigerator.

1. Connect the household water line to the assembled compression fitting.
  - If you are using copper tubing, slip the compression nut (07) (not supplied) and ferrule (not supplied) on the copper tubing (not supplied) as shown.
  - If you are using plastic tubing (08), insert the molded end (Bulb) of the plastic tubing into the compression fitting.
  - **CAUTION**
    - If you use plastic tubing (08), do not use it without the molded end (Bulb).
    - Leaving the water line disconnected may cause the water valve to produce a buzzing sound over time. If this is the case, make sure that the ice making function is turned "OFF" and do not attempt to use the water dispenser.
2. Tighten the compression nut (07) onto the compression fitting. Do not over-tighten the compression nut (07).
3. Turn the water on and check for any leakage. If you find water drops or leakage in the connection areas, turn off the main water supply. Check the connections and, if necessary, tighten.
4. Flush 1 gallon of water through the filter before drinking or using the water from the refrigerator. (Flush approximately 6 minutes.) To flush, press a large glass or cup against the water dispenser lever. Fill the glass, empty it, and then repeat.
5. After you turn on the refrigerator, let the ice maker make ice for 1 to 2 days. Over that period of time, throw out the first 1 or 2 buckets of ice the ice maker makes to ensure all impurities have been removed from the water line.

## NOTE

Only connect the water line to a potable water source.

- If you have to repair or disassemble the water line, cut off 1/4" of the plastic tubing to make sure you get a snug, leak-free connection.
- You can test the water line quickly using a paper cup. Under normal conditions, the water dispenser can fill a 170 cc cup in about 10 seconds.

### **STEP 7 Initial settings**

By completing the following steps, the refrigerator should be fully functioning.

1. Plug the power cord into the wall socket to turn the refrigerator on.
2. Open the door, and check if the interior light lights up.
3. Set the temperature to the coldest setting, and wait for about an hour. Then, the freezer will be slightly chilled, and the motor should be running smoothly.
4. Wait until the refrigerator reaches the set temperature. Now the refrigerator is ready for use.

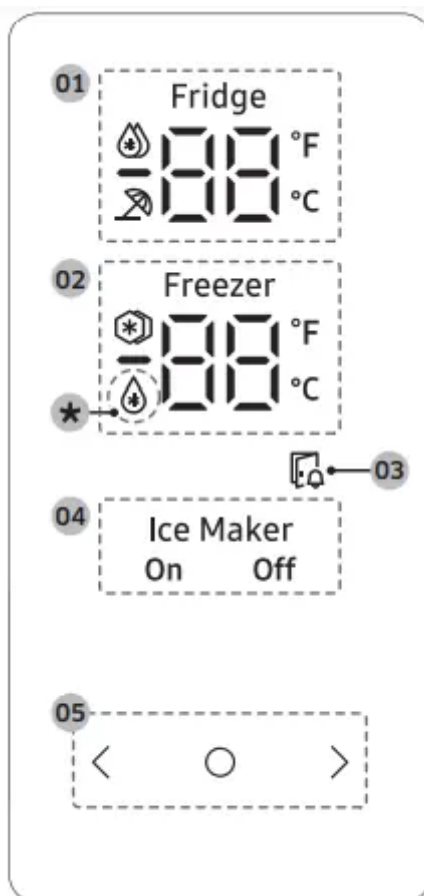
### **STEP 8 Final check**

When installation is complete, confirm that:

- The refrigerator is plugged into an electrical outlet and grounded properly.
- The refrigerator is installed on a flat, level surface with a reasonable clearance from walls and cabinets.
- The refrigerator is level and is sitting firmly on the floor.
- The door opens and closes freely, and the interior light turns on automatically when you open the door.

# Operations

## Main panel



<b>01</b> Fridge indicator	<ul style="list-style-type: none"> <li>• Displays the current or desired temperature of the fridge.</li> <li>•  indicates that the Power Cool function is on.</li> <li>•  indicates that the Vacation function is on.</li> </ul>
<b>02</b> Freezer indicator	<ul style="list-style-type: none"> <li>• Displays the current or desired temperature of the freezer.</li> <li>•  indicates that the Power Freeze function is on.</li> </ul>
<b>03</b> Door open indicator	<ul style="list-style-type: none"> <li>• This indicator blinks with an alarm if the door is left open for more than 2 minutes.</li> </ul>
<b>04</b> Ice Maker indicator	<ul style="list-style-type: none"> <li>• Displays the status of the ice maker.</li> <li>• To enable ice making, you must turn on the ice maker.</li> </ul>

<b>05</b> Buttons	<ul style="list-style-type: none"> <li>• When the display is off, tap any button to wake up the display.</li> <li>• Tap  to select the desired item on the main panel and to confirm any setting changes.</li> <li>• Tap  or  to change the settings of the selected item on the main panel.</li> </ul>
-------------------	---

\* applicable models only





### NOTE

- The control panel is designed to stay off when the refrigerator is not in use. It only becomes active and lights up when you open the door or tap the buttons.
- If the door is left open for 5 minutes, the internal light will blink for 5 minutes and turn off to alert deaf and hard of hearing users that a door is open. Note that this function is normal.

## Setting the desired temperature or function

Select the fridge or freezer and set the desired temperature or function of your choice.

1. Tap any button ( <, O, or >) to wake up the display.
  - This step may not apply to some models.
2. Tap O until the fridge or freezer indicator blinks.
  - The selected compartment's indicator blinks.
3. Tap < or > to select the desired temperature or function.
  - Refer to the table for available selection for each compartment.

<b>Fridge</b>	<ul style="list-style-type: none"> <li>• Available selection (Celsius):  (Power Cool) ↔ 1 °C ↔ 2 °C ↔ 3 °C ↔ 4 °C ↔ 5 °C ↔ 6 °C ↔ 7 °C ↔  (Vacation)</li> <li>• Power Cool speeds up the cooling process at maximum fan speed. The fridge keeps running at full speed for two and a half hours and then returns to the previous temperature.</li> <li>• Use the Vacation function if you are going on vacation or a business trip, or if you do not intend to use the fridge for an extended time. The fridge temperature will be kept under 17 °C, but the freezer remains active as previously set.</li> </ul>
<b>Freezer</b>	<ul style="list-style-type: none"> <li>• Available selection (Celsius):  (Power Freeze) ↔ -23 °C ↔ -22 °C ↔ -21 °C ↔ -20 °C ↔ -19 °C ↔ -18 °C ↔ -17 °C ↔ -16 °C ↔ -15 °C</li> <li>• Power Freeze speeds up the freezing process at maximum fan speed.</li> <li>• The freezer keeps running at full speed for 50 hours and then returns to the previous temperature. To freeze large amounts of food, activate Power Freeze for at least 20 hours before putting food in the freezer.</li> </ul> <p> <b>NOTE</b> When you use this function, the energy consumption of the refrigerator will increase. Remember to turn it off when you do not need it and return the freezer to your original temperature setting.</p>

4. Wait for 5 seconds or tap to confirm your selection.
  - The selected compartment's indicator stops blinking.

### NOTE

- Using Power Cool or Power Freeze increases power consumption.
- When you change the temperature on the panel, the panel displays the actual temperature inside the refrigerator until the temperature matches the temperature you set. Then, the panel displays the new set temperature. Note that it will take time for the

refrigerator to reach the new temperature. This is normal. During this time, you do not need to set the temperature again.

- To ensure optimal performance, we recommend setting the temperature to -18 °C for the freezer, and 3 °C for the fridge.
- The temperature in the refrigerator may rise if you open the door frequently or put a large amount of food into the refrigerator. If this happens, the temperature display blinks until the refrigerator returns to the specified temperature settings. If the blinking continues for an extended time, contact a local Samsung service center for technical assistance.

## Changing the temperature scale

You can switch the temperature scale between Fahrenheit and Celsius.

1. Tap any button ( <, O, or > ) to wake up the display.
  - This step may not apply to some models.
2. Tap O until the °F and °C symbols on the fridge or freezer blink.
3. Tap < or > to select the desired temperature scale.
  - Tap < to select Fahrenheit.
  - Tap > to select Celsius.
4. Wait for 5 seconds or tap to confirm your selection.
  - The °F and °C symbols stop blinking.

## Turning on or off the ice maker

You can turn on or off the auto ice maker in the freezer.

1. Tap any button ( <, O, or > ) to wake up the display.
  - This step may not apply to some models.
2. Tap until the Ice Maker indicator blinks.
3. Tap or to turn on or off the ice maker.
  - Tap < to turn it on.
  - Tap > to turn it off.
4. Wait for 5 seconds or tap O to confirm your selection.
  - The Ice Maker indicator stops blinking.

## Activating or deactivating the Sabbath mode (applicable models only)

The Sabbath mode stays active for 85 hours once it is activated. After that, it will be deactivated automatically.

- To activate or deactivate the Sabbath Mode, tap and hold O and > simultaneously for 6 seconds. Then, when the display blinks, tap >.
  - When the refrigerator is in the Sabbath mode, the buttons, display, and internal lights do not function. The refrigerator and freezer, however, continue to cool.

### NOTE

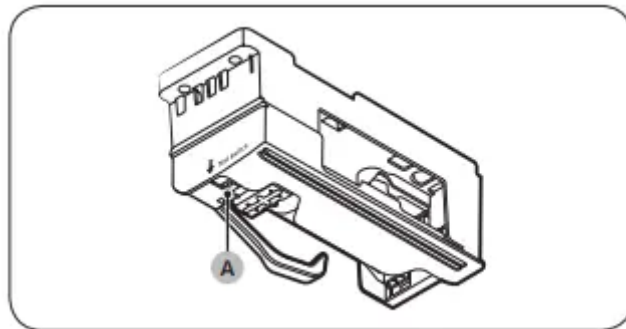
- If the refrigerator powers off and restarts (for example, if there is a power failure), the Sabbath mode remains active. To end Sabbath Mode, you must deactivate it as instructed above.

## Special features

### Ice maker

The refrigerator has a built-in ice maker that automatically dispenses ice so that you can enjoy filtered water with cubed or crushed ice.

### Ice Maker Operation



- The ice maker will produce 8 cubes per cycle - approximately 100~130 cubes in a 24-hour period, depending on freezer compartment temperature, room temperature, number of door openings, and other use conditions.
- Throw away the first few batches of ice to allow the water line to clear.
- Be sure nothing interferes with the sweep of the feeler arm. When the bin fills to the level of the feeler arm, the ice maker will stop producing ice.
- After the ice maker has been turned on again, there will be a time delay before the ice maker resumes operation.
- It is normal for several cubes to be joined together.

- If ice is not used frequently, old ice cubes will become cloudy, taste stale, and shrink. If you do not want to make ice, turn the ice maker off. (For detailed instructions on turning the ice maker on or off, see the “Turning on or off the ice maker” section on page 50.)
- If the auto ice maker does not make ice, remove the ice bucket and press Test Switch (A) to check if the auto ice maker operates properly

## **NOTE**

When the ice maker is on, the temperature of the freezer will be lower than the set temperature. If you do not need to use the ice maker, turn off the ice maker.

### **If You Turn the Ice Maker Off**

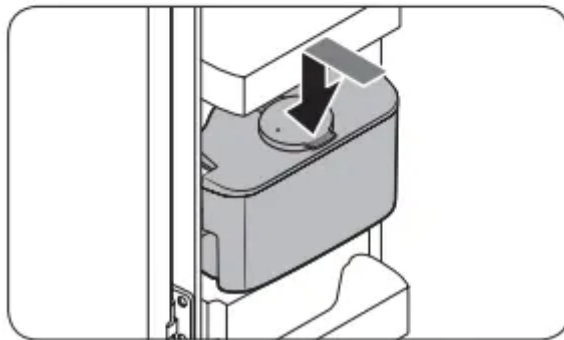
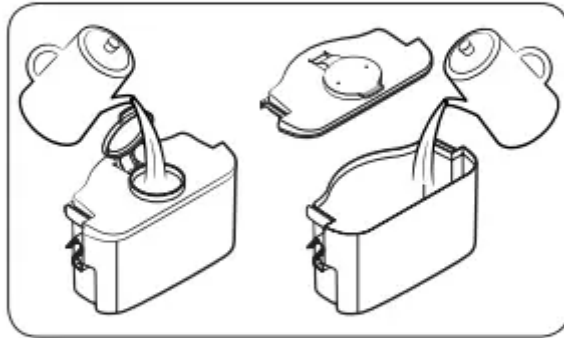
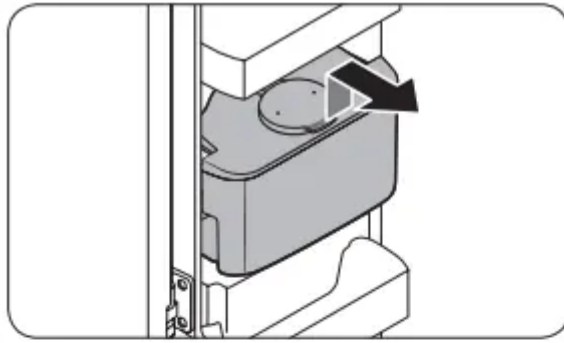
If you turn the ice maker off, make sure to remove all ice cubes from the ice bucket. The remaining ice cubes may clump together, making it difficult to remove.

### **Water dispenser (applicable models only)**

With the water dispenser, you can dispense water without opening the fridge door. The water tank must be filled with potable water before use.

### **To fill the water tank with potable water**

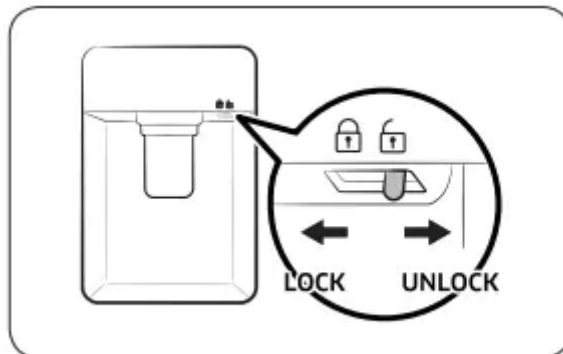
Open the door and locate the water tank that is located in the door shelf area



1. Hold the handgrips on both sides of the water tank and lift up to remove.
2. Fill the water tank with potable water up to 4 liters. You can remove either the top cap or the cover and pour water.

**NOTE** For first-time use, clean inside the water tank.

3. Reinsert the water tank and close the door. Make sure the water outlet of the water tank faces forward.



4. Put a water glass under the water outlet of the dispenser, and gently push the dispenser lever to dispense water. Make sure the water dispenser is unlocked.

#### **CAUTION**

- The water dispenser is designed to dispense potable water. Fill the water tank only with potable water. Do not fill with any other liquids.
- Do not fill the water tank excessively, which causes an overflow.
- Do not try to fill the water tank without removing it from the door.
- Make sure that water tank is seated properly.
- Do not use the refrigerator without the water tank. This may reduce performance and efficiency.
- To prevent water bouncing, make sure the glass is in line with the dispenser lever.

#### **NOTE**

To secure more room, you can use the water tank to store food. In this case, remove the lid of the tank.

## **Maintenance**

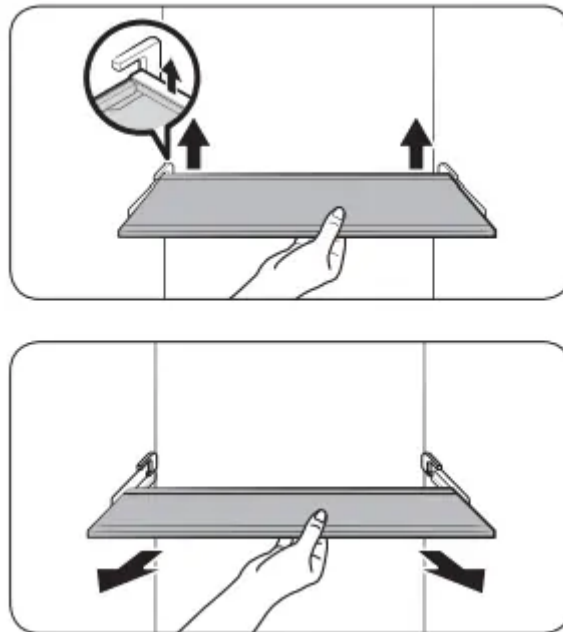
### **Handling and care**

#### **Shelves**

#### **CAUTION**

- The shelf must be inserted correctly. Do not insert upside down.
- Glass containers may scratch the surface of glass shelves.

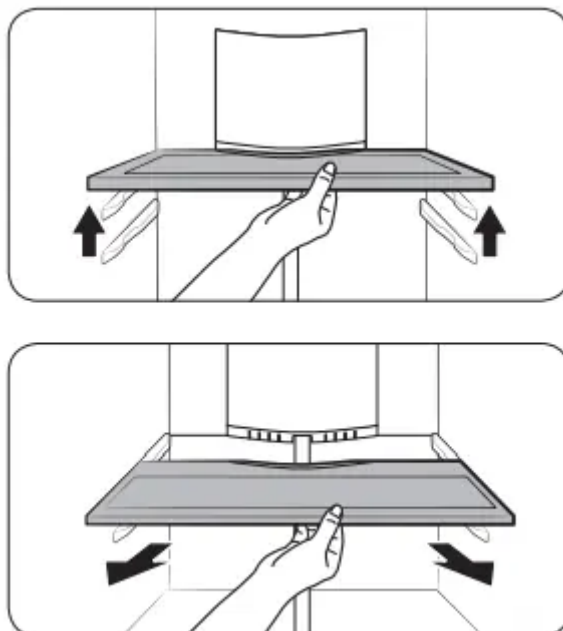
#### **Fridge shelves**



To remove a shelf, fully open the fridge door. Hold the front of the shelf and gently lift up and slide out.

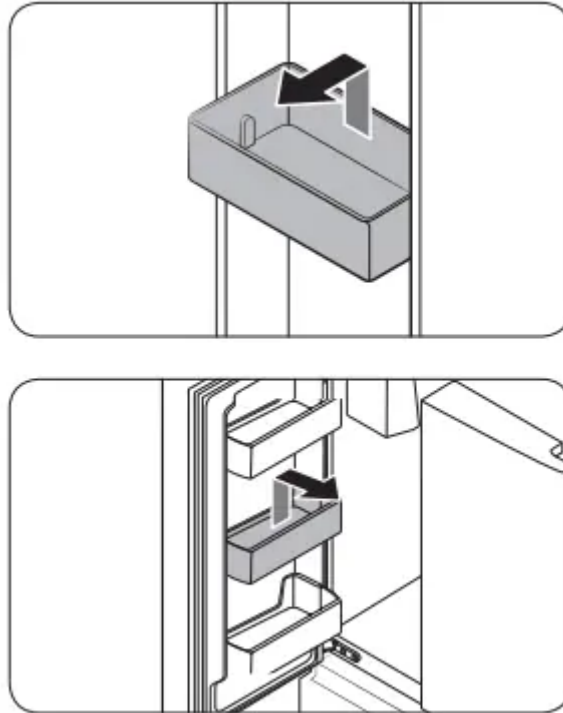
1. Fully open the fridge door.
2. Hold the front of the shelf lift the back of the shelf to release the hook from the groove.
3. Pull out to remove.

### Vegetable shelves



1. Fully open the fridge door.
2. Lift up the front of the shelf and pull it to release the shelf from the holder at the rear wall.
3. Pull out to remove.

## **Door bins**



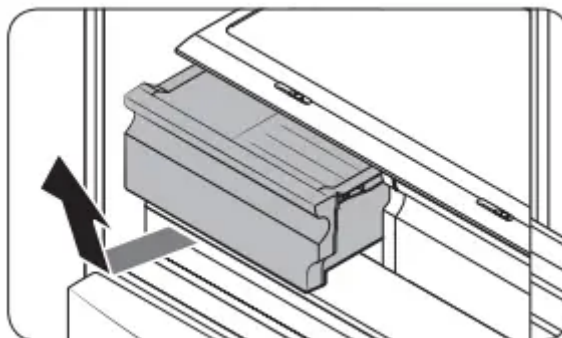
- To remove the door bin, hold the front sides of the bin, and then gently lift up to remove.
- To reinsert, insert the door bin slightly above its final location making sure that the back of the bin is against the door. Hold the rear of the door bin with both hands, and then press down so that it fits snugly.

### **CAUTION**

- Do not remove a bin that is filled with food. Empty the bin beforehand.
- Use caution when opening the door if the bottom bin contains larger bottles, which may fall over.
- Do not allow children to play with the bins. Sharp corners of the bin may cause injury

## **Fridge drawers**

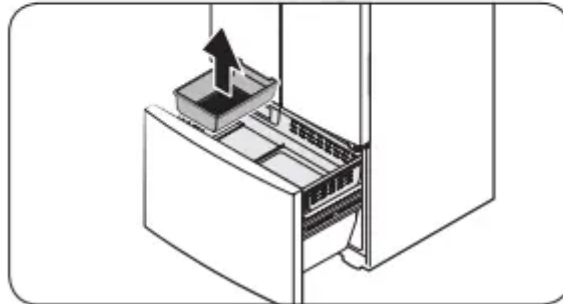
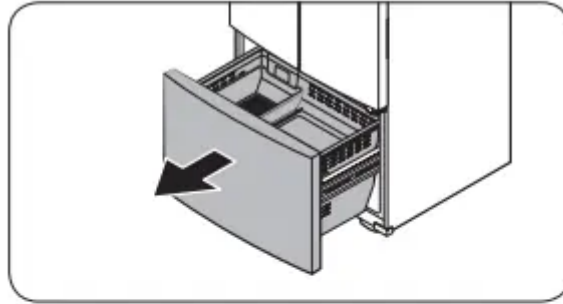
### **Vegetable / fruit drawers**



Gently lift up the front of the drawer and slide out.

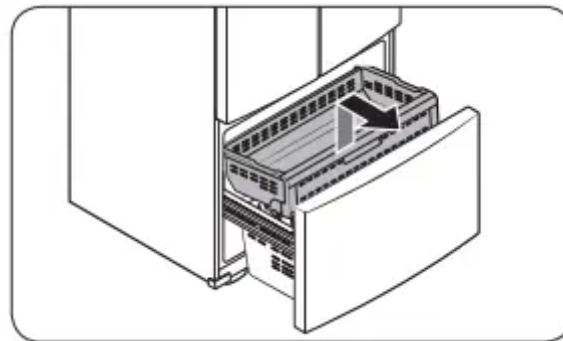
- We recommend that you remove the door bins before removing the drawer. This is to prevent damage to the door bins.
- To reinsert, insert the drawer into the frame rails and then slide inward.

### **Freezer baskets**



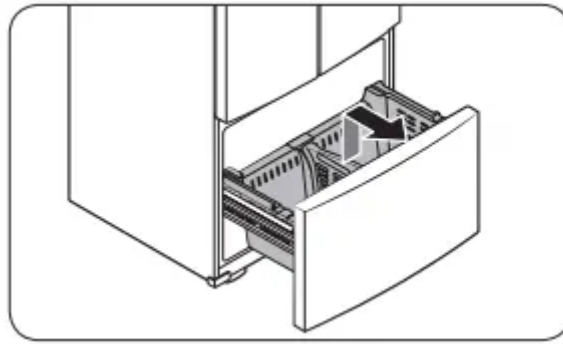
1. Fully open the freezer drawer.
2. Lift the ice bucket to remove.

### **Upper baske**



- To remove, fully slide open the freezer drawer. Lift up the front of the upper basket and pull to remove.
- To reinsert, align the front wheels of the upper basket with the end of the lower basket. Slide the upper basket to the front.

### **Lower basket**



- To remove, first remove the upper basket. Then, tilt up the front of the lower basket to pull out.
- To reinsert, put the basket onto the rail assembly rear side first.

### **CAUTION**

- Do not twist the basket when removing or reinserting the basket. The basket can be scratched.
- To prevent physical injury, property damage, or suffocation, keep children away from freezer baskets that have been removed.
- Do not remove the divider.
- Put the wheels of the upper basket on the end of the rails of the lower basket. Then, slide the upper basket all the way to the front. Otherwise, the drawer will not open or close properly, which will cause frost to build up.

### **Cleaning**

#### **Interior and exterior**

#### **WARNING**

- Do not use benzene, thinner, home/car detergent, or Clorox™ to clean the refrigerator. They may damage the surface of the refrigerator and cause a fire.
- Do not spray water onto the refrigerator. This may cause electric shock.

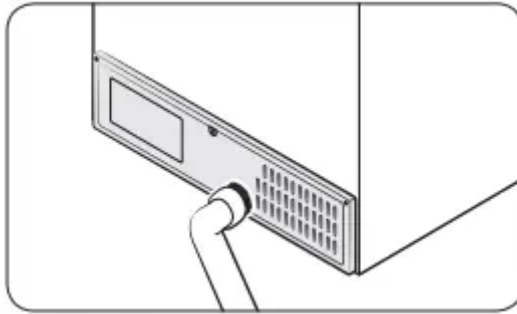
Regularly use a dry cloth to remove all foreign substances such as dust or water from the power plug terminals and contact points.

1. Unplug the power cord.
2. Use a moistened, soft, lint-free cloth or paper towel to clean the refrigerator's interior and exterior.
3. When done, use a dry cloth or paper towel to dry well.
4. Plug in the power cord.

#### **Rubber seals**

If the rubber seals of a door become dirty, the door may not close properly and reducing refrigerator performance and efficiency. Use a mild detergent and damp cloth to clean the rubber seals. Then, dry well with a cloth.

## Rear panel



To keep cords and exposed parts of the rear panel free of dirt, vacuum the panel once or twice a year.



Do not remove the rear panel cover. Electric shock may occur.

## Replacement

### LED Lamps

To replace the lamps of the refrigerator, contact a local Samsung service center.



- The lamps are not user-serviceable. Do not attempt to replace a lamp yourself. This can cause electric shock.

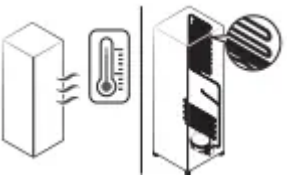
## Troubleshooting

Before calling for service, review the checkpoints below. Any service calls regarding normal situations (No Defect Cases) will be charged to users.

### General

#### Temperature

Symptom	Possible causes	Solution
Fridge/freezer does not operate. Fridge/freezer temperature is warm.	• Power cord is not plugged in properly.	• Properly plug in the power cord.
	• Temperature control is not set correctly.	• Set the temperature lower.
	• Refrigerator is located near a heat source or direct sunlight.	• Keep the refrigerator away from direct sunlight or a heat source.
	• Not enough clearance between refrigerator and nearby walls or cabinets.	• Make sure there is a gap of at least 2.5 inches (5 cm) between the refrigerator back and sides and any nearby walls or cabinets.
	• Energy Saver mode is activated.	• Deactivate Energy Saver mode.
	• The refrigerator is overloaded. Food is blocking the refrigerator vents.	• Do not overload the refrigerator. Do not allow food to block vents.
Fridge/freezer is over-cooling.	• Temperature control is not set correctly.	• Set the temperature higher.

Symptom	Possible causes	Solution
Interior wall is hot.	• Refrigerator has heat-proof piping in the interior wall.	<p>• To prevent condensation from forming, the refrigerator has heat-proof piping in the front corners. If the ambient temperature rises, this equipment may not work effectively. This is not a system failure.</p> 

## **Odors**

Symptom	Possible causes	Solution
Refrigerator has odors.	• Spoiled food.	• Clean the refrigerator and remove any spoiled food.
	• Food with strong odors.	• Make sure strong smelling food is wrapped airtight.

### **Frost**

Symptom	Possible causes	Solution
Frost around the vents.	• Food is blocking the vents.	• Make sure no food blocks the refrigerator vents.
Frost on interior walls.	• Door is not closed properly.	• Make sure food does not block the door. Clean the door gasket.
Fruits or vegetables are frozen.	• Fruits or vegetables are stored in the Cool Select Zone.	• Do not store most kinds of fruit or vegetables in the Cool Select Zone.

### **Condensation**

Symptom	Possible causes	Solution
Condensation forms on the interior walls.	• If door is left open, moisture enters the refrigerator.	• Remove the moisture and do not leave a door open for extended periods of time.
	• Food with high moisture content.	• Make sure food is wrapped airtight.

### **Water/ice (dispenser models only)**

Symptom	Possible causes	Solution
Water flow is weaker than normal.	<ul style="list-style-type: none"> <li>• Water pressure is too low.</li> </ul>	<ul style="list-style-type: none"> <li>• Make sure the water pressure is between 30 to 120 psi (206 to 827 kPa).</li> </ul>
Ice maker makes a buzzing sound.	<ul style="list-style-type: none"> <li>• The ice maker function is activated, but the water supply to the refrigerator has not been connected.</li> </ul>	<ul style="list-style-type: none"> <li>• Press Ice Maker.</li> </ul>
Ice maker does not make ice.	<ul style="list-style-type: none"> <li>• Ice maker has just been installed.</li> </ul>	<ul style="list-style-type: none"> <li>• You must wait for 12 hours for the refrigerator to make ice.</li> </ul>
	<ul style="list-style-type: none"> <li>• Freezer temperature is too high.</li> </ul>	<ul style="list-style-type: none"> <li>• Set the freezer temperature below 0 °F (-18 °C) or -4 °F (-20 °C) in warm ambient air.</li> </ul>
	<ul style="list-style-type: none"> <li>• Dispenser panel Lock is activated.</li> </ul>	<ul style="list-style-type: none"> <li>• Deactivate dispenser panel Lock.</li> </ul>
	<ul style="list-style-type: none"> <li>• Ice maker is off.</li> </ul>	<ul style="list-style-type: none"> <li>• Turn on the ice maker.</li> </ul>

	<ul style="list-style-type: none"> <li>• Ice may jam if the ice dispenser is not used for a long time (approx. 3 weeks).</li> </ul>	<ul style="list-style-type: none"> <li>• If you won't be using the refrigerator for a long time, empty the ice bucket and turn off the ice maker.</li> </ul>
	<ul style="list-style-type: none"> <li>• Ice bucket is not properly inserted.</li> </ul>	<ul style="list-style-type: none"> <li>• Make sure the ice bucket is properly inserted.</li> </ul>
	<ul style="list-style-type: none"> <li>• Water line is not connected properly or water supply is not on.</li> </ul>	<ul style="list-style-type: none"> <li>• Check if the water line is installed correctly. Check if the water line stop cock is closed.</li> </ul>
Water does not dispense.	<ul style="list-style-type: none"> <li>• Water line is not connected properly or water supply is not on.</li> </ul>	<ul style="list-style-type: none"> <li>• Check if the water line is installed correctly. Check if the water line stop cock is closed.</li> </ul>
	<ul style="list-style-type: none"> <li>• Dispenser panel Lock is activated.</li> </ul>	<ul style="list-style-type: none"> <li>• Deactivate dispenser panel Lock.</li> </ul>
	<ul style="list-style-type: none"> <li>• A third-party water filter was installed.</li> </ul>	<ul style="list-style-type: none"> <li>• Use only Samsung-provided or approved filters.</li> <li>• Unapproved filters may leak and damage the refrigerator.</li> </ul>
	<ul style="list-style-type: none"> <li>• Water filter indicator turns on or blinks.</li> </ul>	<ul style="list-style-type: none"> <li>• Replace the water filter. After replacing, reset the filter indicator sensor.</li> </ul>

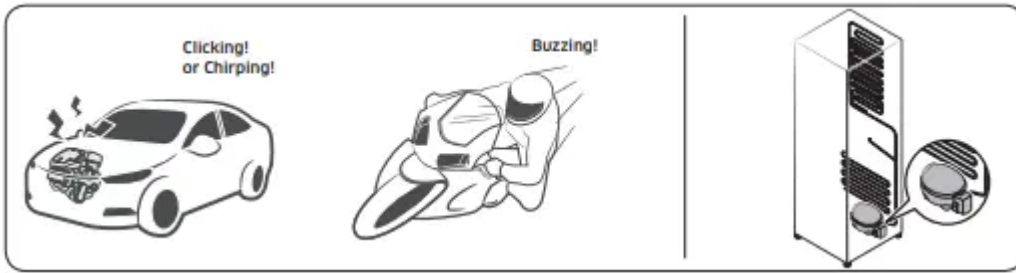
### Do you hear abnormal sounds from the refrigerator?

Before calling for service, review the information below. If you still have questions about sounds your refrigerator is making, please call Samsung Customer Care at 1-800-SAMSUNG (726-7864). Note that you will be charged for any service visits related to normal operating sounds in which no defects were found.

#### These sounds are normal.

- When starting or ending an operation, the refrigerator may make sounds similar to a car engine ignition. As the operation stabilizes, the sounds will decrease.
- While the fan is operating, these sounds may occur. When the refrigerator reaches the set temperature, the fan sound will stop.





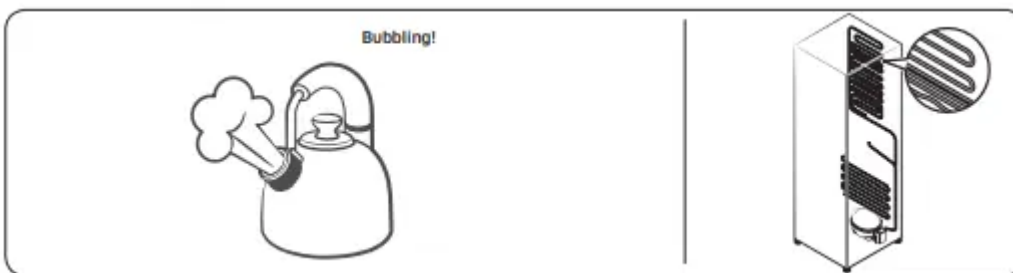
- During a defrost cycle, water may drip on the defrost heater, causing sizzling sounds.



- As the refrigerator cools or freezes, refrigerant gas moves through sealed pipes, causing bubbling sounds.



- As the refrigerator temperature increases or decreases, plastic parts contract and expand, creating knocking noises. These noises occur during the defrosting cycle or when electronic parts are working.



- For ice maker models: When the water valve opens to fill the ice maker, you may hear a buzzing sound.
- Due to pressure equalizing when you open and close the refrigerator door, you may hear a whooshing sound.

**Warning**

This content is compiled from multiple sources and is provided for reference purposes only. It may not be complete or fully applicable to all situations. If you are unable to resolve your issue, please contact the product manufacturer or an authorized service provider for official support.

---

Document generated by [ManualsFile](#)