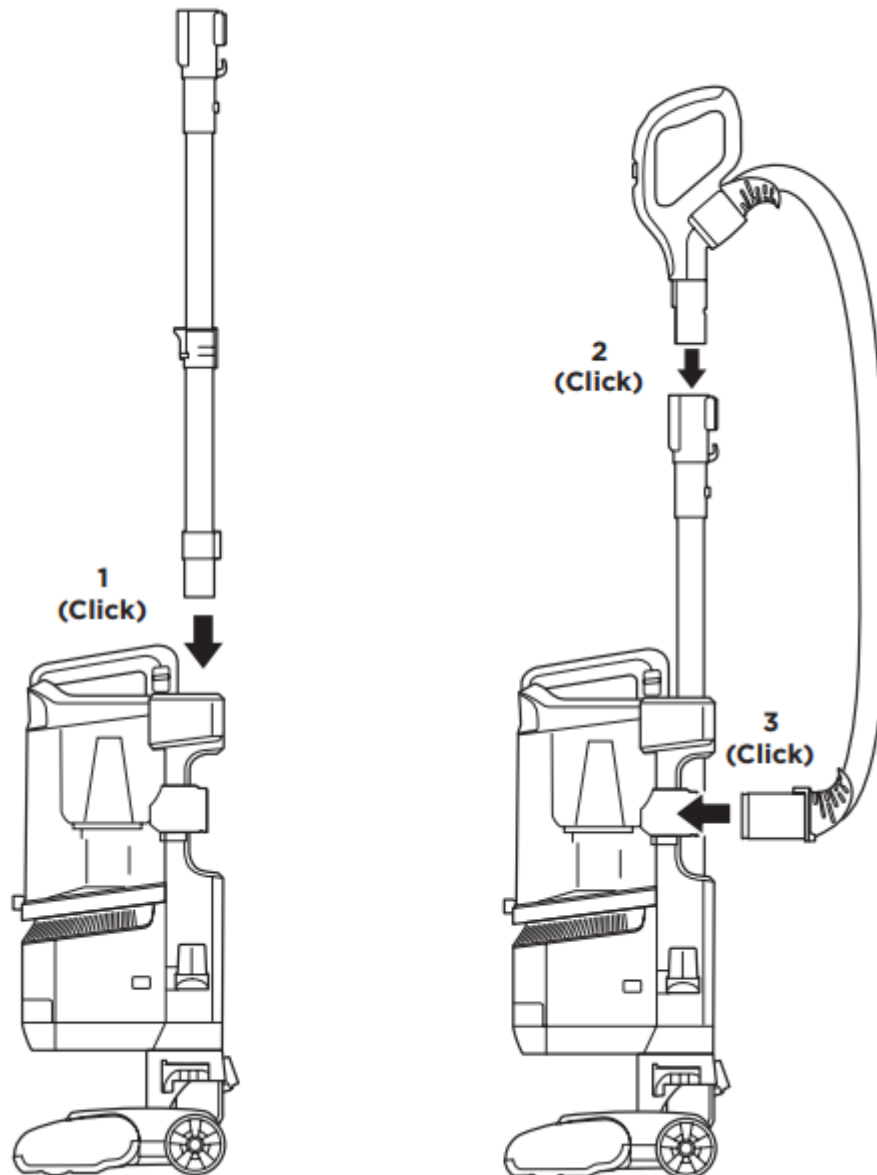
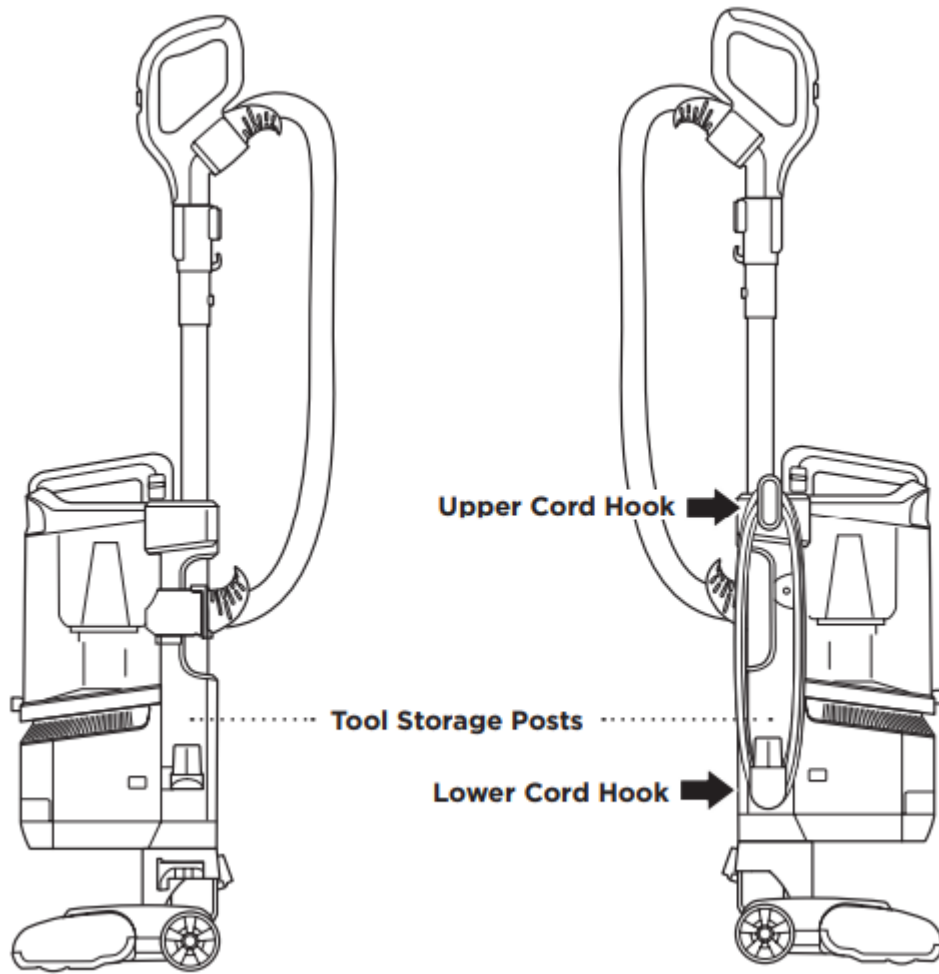


## ASSEMBLY

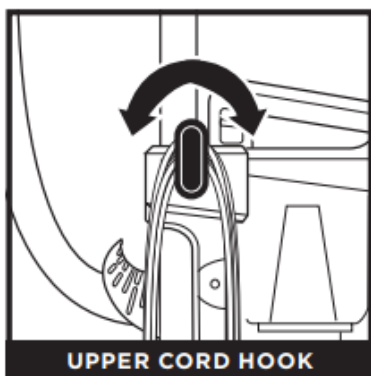


1. Insert Wand into pod
2. Insert Handle into wand.
3. Attach Hose to back of vacuum pod.

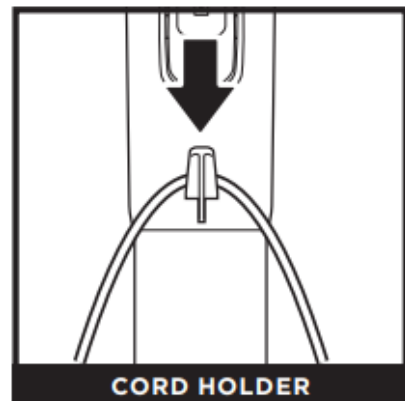
For proper operation, ensure all parts are firmly clicked into place.



**POWER CORD**



For cord access, rotate upper hook down and remove cord.

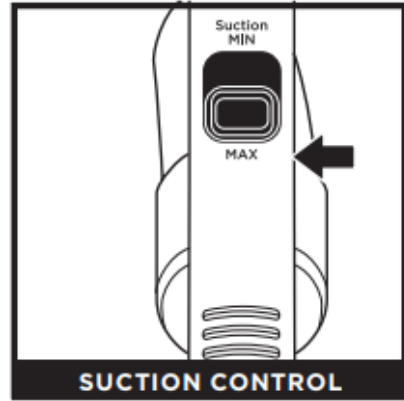
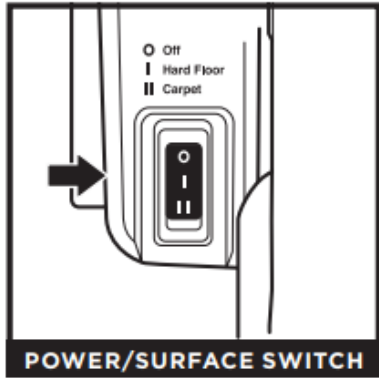


Use cord holder on the side of wand to hold cord in place while vacuuming.



# WHOLE-HOME CLEANING

## SETTINGS



Select surface setting:

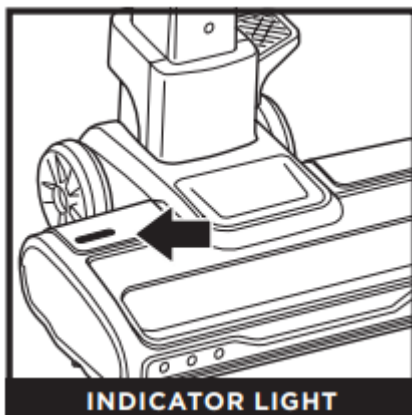
<b>O</b>	<b>Power Off</b>
<b>I</b>	<b>Hard Floor</b> For hard floors and small area rugs.
<b>II</b>	<b>Carpet</b> For carpets.

The Suction Control Slider located on the handle allows you to adjust the suction depending on the floor type.

**MIN:** to reduce suction and increase maneuverability on carpets.

**MAX:** to increase suction on hard floors.

## BRUSHROLL INDICATOR LIGHT



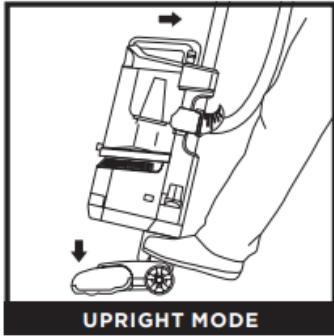
## WHAT DOES THE BRUSHROLL INDICATOR LIGHT MEAN?

**Solid Green:** The brushroll is spinning and working as intended.

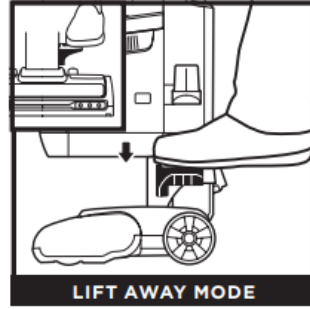
**Solid Red:** There is a jam in the brushroll area. Turn off and unplug the vacuum and remove any blockages in the nozzle.

**Flashing Red:** The motorized floor nozzle is overheating. Turn the vacuum off and wait a minimum of 60 minutes for the unit to cool down.

## CLEANING MODES



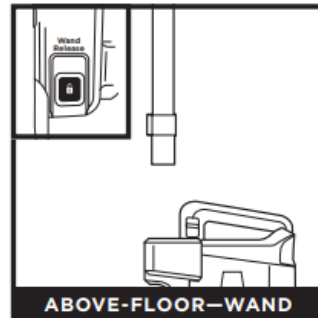
To engage Brushroll, step on floor nozzle and tilt handle back firmly.



Step on the pedal on the floor nozzle to lift off the pod.



Press the Handle Release button and pull up on the handle to detach it from the wand



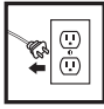
Press the Wand Release button and pull up on the wand to detach it from the pod.



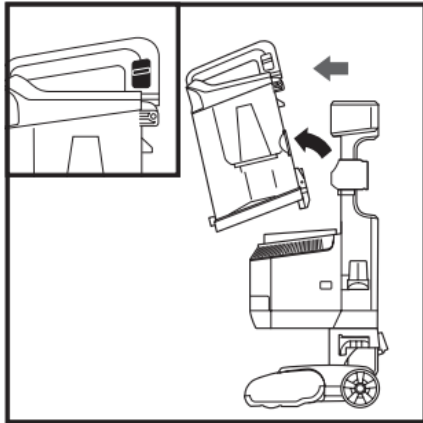
Attach an optional cleaning accessory to handle or wand.



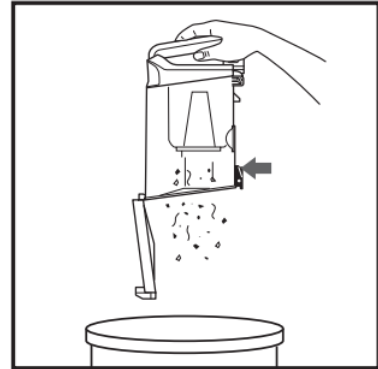
## EMPTYING THE DUST CUP



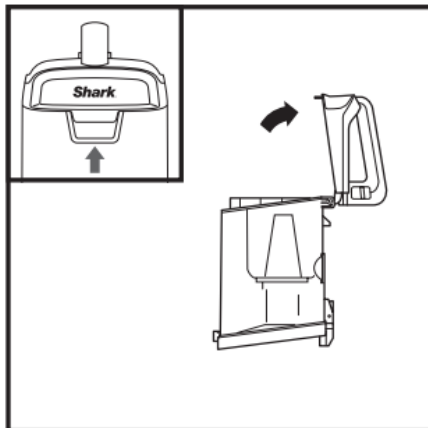
**IMPORTANT:** Unplug the power cord before performing any maintenance.



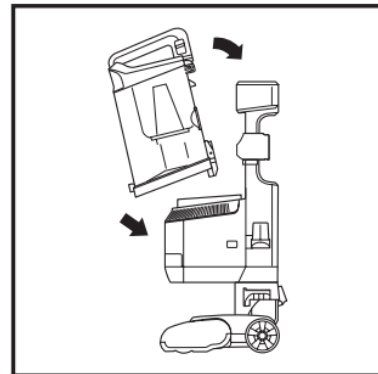
To remove Dust Cup, pull up on the release button located on the side of dust cup handle. Tilt dust cup forward, then lift to remove.



Hold the dust cup over the receptacle and press the release button to open bottom of dust cup.



To remove collected debris from Lint Screen, lift the tab at the top of the dust cup to open the lid. Remove debris from lint screen to clean.



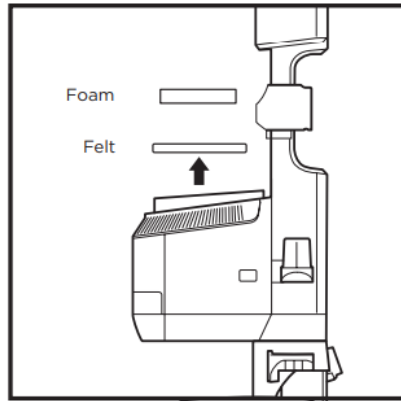
To reinstall, place the bottom of dust cup onto the pod and then tilt until it clicks into place.

## CLEANING THE FILTERS

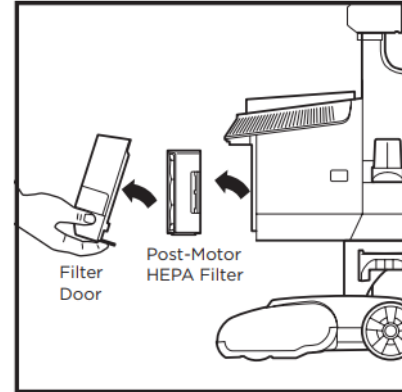
Regularly rinse the filters to maintain your vacuum's suction power.

Rinse filters with cold water only. Allow all filters to air-dry for at least 24 hours before reinstalling them to prevent liquid from being drawn into electronic parts.

**IMPORTANT: DO NOT** use soap when cleaning the filters.



RINSE PRE-MOTOR FILTERS  
EVERY MONTH



RINSE HEPA FILTER  
EVERY YEAR

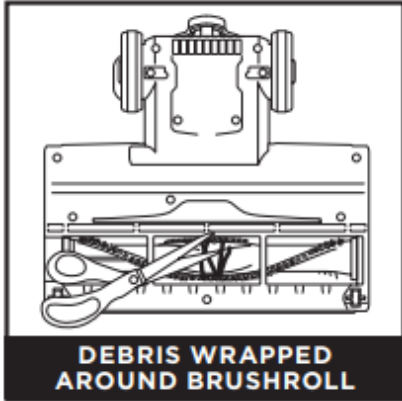
Remove Dust Cup, then lift out Filters.

To remove the HEPA Filter, first pull the tab on the bottom of the filter door, then lift off the door. Press the tab on the side of the HEPA filter and pull out the filter.

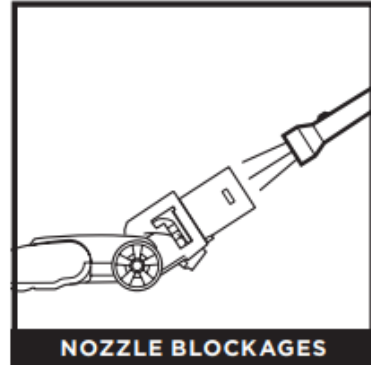
To reinstall the door, align the top first, then press in the bottom until it clicks into place.

# MAINTENANCE

## NOZZLE MAINTENANCE

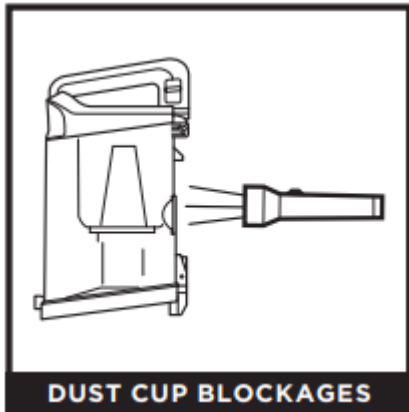


Clean off any debris on the bristles. Carefully use scissors within the brushroll groove to cut away any hair or debris wrapped around the brushroll.

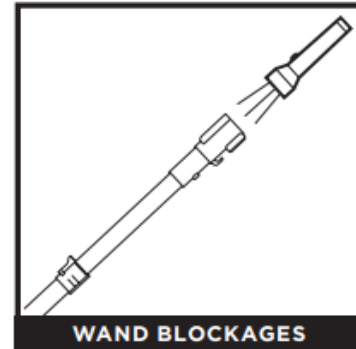


Check the opening at the top of the nozzle for any blockages.

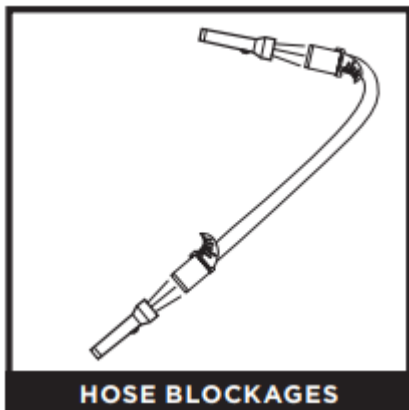
## CHECKING FOR BLOCKAGES



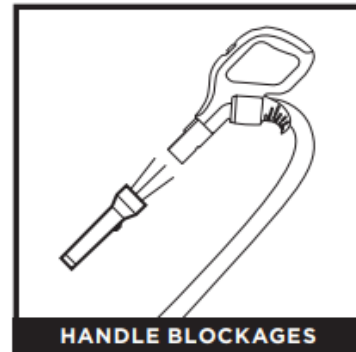
Detach dust cup from vacuum pod. Empty dust cup, remove debris from lint screen, and check for blockages.



Detach wand from pod and handle, and check both ends for blockages.

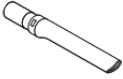







Detach hose from handle by pressing on the release button at the top of the hose. Detach the hose from the pod, and check openings for blockages.



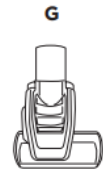
Detach handle from wand and check openings for blockages.

## AVAILABLE ACCESSORIES

<p><b>A. Crevice Tool</b></p> <p>This slender tool offers extended reach to access corners, baseboards, tight spaces, and ceilings.</p>	<p style="text-align: center;"><b>A</b></p> 
<p><b>B. Upholstery Tool</b></p> <p>Picks up hair, dust, and large debris from mattresses, couches, curtains, lampshades, and other delicate upholstered surfaces.</p>	<p style="text-align: center;"><b>B</b></p> 
<p><b>C. Dusting Brush</b></p> <p>This brush dusts and cleans delicate surfaces. Great for use on fans, blinds, lampshades, and keyboards.</p>	<p style="text-align: center;"><b>C</b></p> 
<p><b>D. Duster Crevice Tool</b></p> <p>Two cleaning tools in one. The crevice tool gives you extended reach to clean in tight spaces, while the soft brush is ideal for dusting delicate surfaces.</p>	<p style="text-align: center;"><b>D</b></p> 
<p><b>E. Pet Multi-Tool</b></p> <p>A single convertible tool for cleaning tough pet messes two ways: use the stiff bristle brush to clean stuck-on debris, or take off the bristles to reveal an upholstery tool perfect for removing stubborn pet hair and large piles of debris.</p>	<p style="text-align: center;"><b>E</b></p> 
<p><b>F. Pet Power Brush</b></p> <p>The turbine brush loosens and removes pet hair and debris from carpets, and powerfully deep-cleans dander out of upholstery and other surfaces.</p>	<p style="text-align: center;"><b>F</b></p> 

### **G. Self-Cleaning Pet Power Brush**

Tackles pet hair and ground-in dirt from above-floor areas like carpeted stairs and upholstery, while actively removing hair wrap as it cleans.



## **TROUBLESHOOTING**

### **Vacuum is not picking up debris. No suction or light suction.**

- Check filters to see if they need cleaning. Follow instructions for rinsing and air-drying the filters before reinstalling them in the vacuum.
- Dust cup may be full; empty dust cup.
- Check handle, hose, hose connections, nozzle, wand, pod, and accessories for blockages. Clear any blockages found.
- If any string, hair, or carpet fibers are wrapped around the brushroll, carefully cut debris with scissors and remove from brushroll. See Nozzle Maintenance section for more information.

### **Vacuum lifts area rugs.**

- Make sure Power/Surface switch is set to Hard Floor (setting I).
- Ensure the suction control slider on the handle is set to MIN.
- Suction is powerful. Take care when vacuuming area rugs or rugs with delicately sewn edges.

### **Brushroll does not spin in carpet cleaning mode.**

- If the Brushroll Indicator Light turns red, immediately turn off and unplug the vacuum. Remove pod from floor nozzle and clear any blockages. Reconnect nozzle, plug in vacuum, and turn on power.
- With the power on, recline the handle, which will automatically turn on the brushroll.
- If this problem persists on thick carpets, move the suction control slider to MIN.

### **Vacuum turns off on its own or indicator light flashes red.**

If your vacuum overheats, the thermostat will automatically turn the suction motor off. Perform the following steps to restart the thermostat:

1. Turn vacuum off and unplug it.
2. Empty dust cup and clean filters (see Emptying the Dust Cup and Cleaning the Filters).
3. Check for blockages in hose, nozzle, accessories, and inlet openings.

4. Allow unit to cool for a minimum of 60 minutes.
5. Plug in vacuum and restart with the Power/Surface switch.

## **IMPORTANT SAFETY INSTRUCTIONS**

### **GENERAL WARNINGS**

1. Your vacuum cleaner may consist of a motorized nozzle, wand, hose, and/ or vacuum pod. This device contains electrical connections, electrical wiring, and moving parts that potentially present risk to the user. 2. Use only identical replacement parts. 3. Carefully observe and follow the instructions provided below to avoid improper use of the appliance. DO NOT use the vacuum for any purpose other than those described in this manual. 4. Before use, carefully inspect all parts for any damage. DO NOT use if any parts are damaged. 5. The use of an extension cord is NOT recommended. 6. This vacuum cleaner contains no serviceable parts.

### **USE WARNINGS**

7. This appliance can be used by persons with reduced physical, sensory or mental capabilities or lack of experience and knowledge if they have been given supervision or instruction concerning use of the appliance in a safe way and understand the hazards involved. Cleaning and user maintenance shall not be made by children.

8. Keep the appliance and its cord out of reach of children. DO NOT allow the appliance to be used by children. DO NOT allow to be used as a toy. Close supervision is necessary when used near children.

9. Always turn off the vacuum cleaner before connecting or disconnecting any motorized nozzles or other accessories.

10. DO NOT handle plug or vacuum cleaner with wet hands.

11. DO NOT use without filters in place.

12. Only use Shark® branded filters and accessories.

13. DO NOT damage the power cord:

a) DO NOT pull or carry vacuum cleaner by the cord or use the cord as a handle.

b) DO NOT unplug by pulling on cord. Grasp the plug, not the cord.

c) DO NOT run the vacuum cleaner over the power cord, close a door on the cord, pull the cord around sharp corners, or leave the cord near heated surfaces.

14. DO NOT put any objects into nozzle or accessory openings. DO NOT use with any opening blocked; keep free of dust, lint, hair, and anything that may reduce airflow.

15. DO NOT use if nozzle or accessory airflow is restricted. If the air paths or the motorized floor nozzle become blocked, turn the vacuum cleaner off and unplug from electrical outlet. Remove all obstructions before you plug in and turn on the unit again.

16. Keep nozzle and all vacuum openings away from hair, face, fingers, uncovered feet, or loose clothing.
17. DO NOT use if vacuum cleaner is not working as it should, or has been dropped, damaged, left outdoors, or dropped into water.
18. Use extra care when cleaning on stairs.
19. DO NOT leave the vacuum cleaner unattended while plugged in.
20. When powered on, keep the vacuum cleaner moving over the carpet surface at all times to avoid damaging the carpet fibers.
21. DO NOT place vacuum cleaner on unstable surfaces such as chairs or tables.
22. Your Shark® vacuum may not be designed to stand up on its own. When taking a break from cleaning, you may need to lean it against furniture or a wall, or lay it flat on the floor. Using the vacuum for an application where the unit lacks stability may result in personal injury.
23. DO NOT use to pick up:
  - a) Liquids
  - b) Large objects
  - c) Hard or sharp objects (glass, nails, screws, or coins)
  - d) Large quantities of dust (drywall dust, fireplace ash, or embers). DO NOT use as an attachment to power tools for dust collection.
  - e) Smoking or burning objects (hot coals, cigarette butts, or matches)
  - f) Flammable or combustible materials (lighter fluid, gasoline, or kerosene)
  - g) Toxic materials (chlorine bleach, ammonia, or drain cleaner)
24. DO NOT use in the following areas:
  - a) Poorly lit areas
  - b) Wet or damp surfaces
  - c) Outdoor areas
  - d) Spaces that are enclosed and may contain explosive or toxic fumes or vapors (lighter fluid, gasoline, kerosene, paint, paint thinners, mothproofing substances, or flammable dust)
25. Turn off all controls before plugging in or unplugging the vacuum.
26. Unplug from electrical outlet when not in use and before any maintenance or cleaning.
27. Hand wash with water only. Washing with cleaning chemicals could damage the unit.

28. During cleaning or routine maintenance, DO NOT cut anything other than hair, fibers, or string wrapped around the brushroll.
29. Allow all filters to air-dry completely before replacing in the vacuum to prevent liquid from being drawn into electric parts.
30. Make sure the dust cup and all filters are in place after routine maintenance.
31. If provided, secure the power cord around the two cord hooks during storage.

**Warning**

This content is compiled from multiple sources and is provided for reference purposes only. It may not be complete or fully applicable to all situations. If you are unable to resolve your issue, please contact the product manufacturer or an authorized service provider for official support.