

User Manual Heater

INTRODUCTION

Please take a few minutes to read this manual carefully. Proper maintenance and operation of this machine can provide better service.

WARNINGS

- Do not use the heater with a programmer, timer, separate remote-control system or any other device that switches the heater on automatically, since a fire risk exists if the heater is covered or positioned incorrectly.
- It's dangerous to install the appliance close to curtains and other combustible materials.
- Do not use the heater in reach of a shower, bath or a swimming pool.
- Heater is not located immediately below a socket-outlet
- If the supply cord is damaged, it must be replaced by the manufacturer, its service agent or a similarly qualified person in order to avoid a hazard.
- In order to avoid overheating, do not cover the heater»
- This appliance can be used by children aged from 8 years and above and persons with reduced physical, sensory or mental capabilities or lack of experience and knowledge if they have been given supervision or instruction concerning use of the appliance in a safe way and understand the hazards involved. Children shall not play with the appliance. cleaning and user maintenance shall not be made by children unless they are older than 8 and supervised.
- Keep the appliance and its cord out of reach of children less than 8 years.
- **WARNING:** This heater is not equipped with a device to control the room temperature. Do not use this heater in small rooms when they are occupied by persons not capable of leaving the room on their own, unless constant supervision is provided
- Pay attention that, no combustible material due to Wind or other environmental influences covers or obstructs the appliance, such as curtains, marquees, flags, plastic foil etc.
- **CAUTION** — Some parts of this product can become very hot and cause burns. Particular attention has to be given where children and vulnerable people are present.

When using this electric unit, basic safety precautions should be followed to reduce the risk of fire, electric shock, and injury to persons, including the following:

- Read ALL instructions before using this unit.
- **CAUTION:** Risk of Electric Shock. DO NOT open or try to repair the heater yourself.
- This heater may get hot when in use. To avoid burns, DO NOT let bare skin touch hot surfaces. If provided, use handles when moving this heater.

- Keep combustible materials, such as furniture, pillows, bedding, paper, clothes, and curtains at least 3 ft from the front of the heater and keep them away from the sides, top, and rear. DO NOT place towels or other objects on the heater.
- Extreme caution is necessary when any heater is used by or near children or the disabled, or when the heater is left operating and unattended.
- DO NOT operate any heater with a damaged cord or after the heater malfunctions, has been drooped or damaged in any manner. Return heater to authorized service facility for examination, electrical or mechanical adjustment, or repair.
- This heater is not intended for use in bathrooms, laundry areas and similar indoor locations. NEVER locate heater where it may fall into a bathtub or other water container. To protect against electrical hazards, DO NOT immerse in water or other liquids.
- DO NOT touch the control panel with a wet hand.
- DO NOT run cord under carpeting. DO NOT cover cord with throw rugs, runners, or similar coverings. Arrange cord away from traffic area and where it will not be tripped over.
- DO NOT insert or allow foreign objects to enter any ventilation or exhaust opening as this may cause an electric shock or fire, or damage the heater.
- To prevent a possible fire, DO NOT blocks the air intakes or exhaust in any manner. DO NOT use on soft surfaces, like a bed, where openings may become blocked.
- A heater has hot and arcing or sparking parts inside. DO NOT use in areas where gasoline, paint, explosive and/or flammable liquids are used or stored. Keep unit away from heated surfaces and open flames.
- Avoid the use of an extension cord because the extension cord may overheat and cause a risk of fire. However, if you have to use an extension cord, the cord shall be 1.5m m2 minimum size.
- To disconnect heater, turn controls to OFF.
- Always turn off the unit before moving or cleaning, or whenever the heater is not in use.
- Use only for intended household use as described in this manual. Any other use not recommended by the manufacturer may cause fire, electric shock, or injury to persons. The use of attachments not recommended or sold by unauthorized dealers may cause hazards.
- WARNING: To reduce the risk of fire or electric shock, DO NOT use this unit with any solid-state speed control device.
- DO NOT attempt to repair or adjust any electrical or mechanical functions on this unit. Doing so will void your warranty. The inside of the unit contains no user serviceable parts. Qualified personnel should perform all servicing only.
- Connect to properly grounded outlets only.

- This appliance is not intended for use by persons (including children) with reduced physical, sensory or mental capabilities, or lack of experience and knowledge, unless they have been given supervision or instruction concerning use of the appliance by a person responsible for their safety.
- Children should be supervised to ensure that they do not play with the appliance.
- The marketing concerning covering shall be visible after the heater has been installed.
- Save these instructions

SPECIFICATION

| | |
|--------------------------|---|
| Voltage Rating | 120 V(60Hz) |
| Power Consumption | 1500W |
| Unit Size | 19.7in. (W) X 19.7in. (D) X 70.9in. (H) |
| Unit Weight | 19.4 lbs |

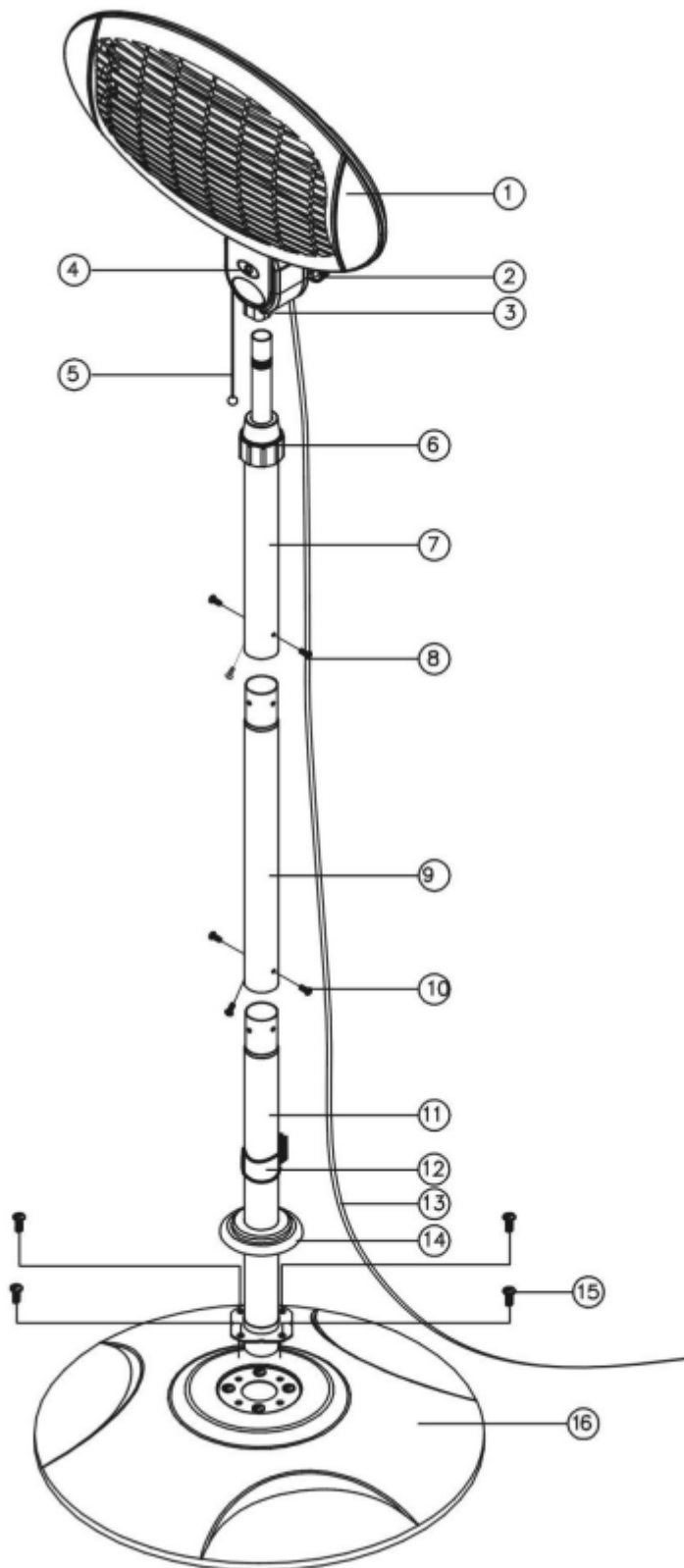
SAFETY FEATURES

CAUTION: Before fitting or removing the appliance, ensure that the heater's power line supplying the heater is disconnected. Check that the power line is connected to a 30mA differential circuit breaker.

- This appliance is designed for use in gardens ,and any room in your house, including those where there is a risk of splashing. The installation and use of your appliance must comply with the applicable standards in your country.
- When it is switch on, an electrical heating appliance reaches very high temperature libel to cause burns. Make sure that all other users are aware of the risks.
- If you have any doubts concerning installation possibilities for this heater, please consult a qualified electrician.
- Children, the elderly and the infirm may not always be aware of the danger involved in using electrical appliances. Never allow this appliance to be used without supervision.
- The appliance must be positioned so that the plug is accessible.
- If the supply cord is damaged, it must be replaced by the manufacturer or its service agent or similar qualified person in order to avoid a hazard
- The heater must not be located immediately below a socket-outlet

- Do not use this heater with a programmer, timer or any other device that switches the heater on automatically, since a fire risk exists if the heater is covered or positioned incorrectly.
- Do not place the appliance close to curtains and other combustible materials.

PRODUCT DIAGRAM



1. Heating Element Assembly

2. Knob

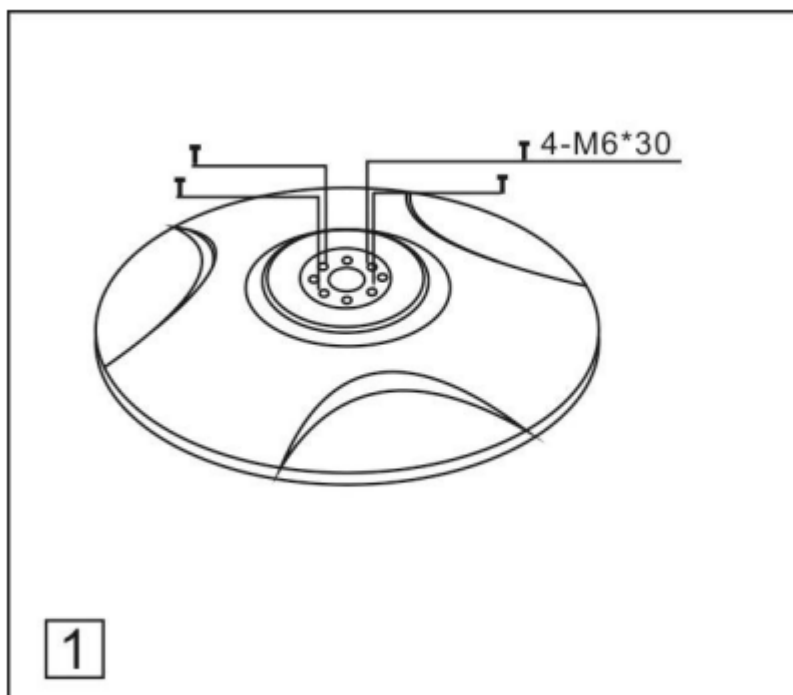


3. Body
4. Position Indication Plate
5. Pull Switch
6. Tube Cover
7. Upper Post Assembly
8. 3 -M5 X 6 Screw
9. Middle Post
10. 3-M5 X 6 Screw
11. Lower Post Assembly
12. Clamp
13. Power Cord
14. Base Cover
15. 4-M6X 30 Screw
16. Base Assembly

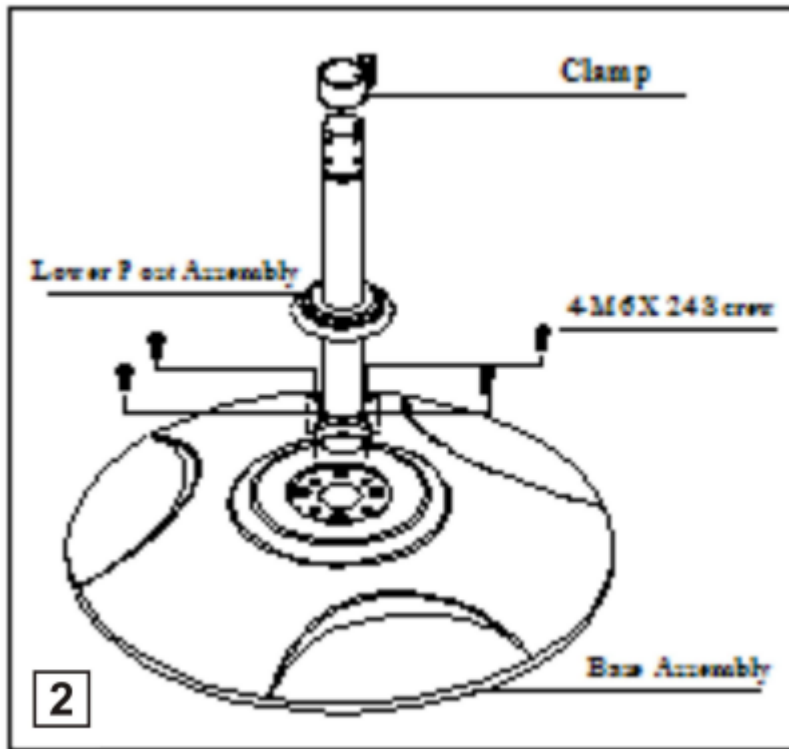
INSTALLATION INSTRUCTION

Before installing your appliance, you must disconnect the electrical supply at the circuit breaker.

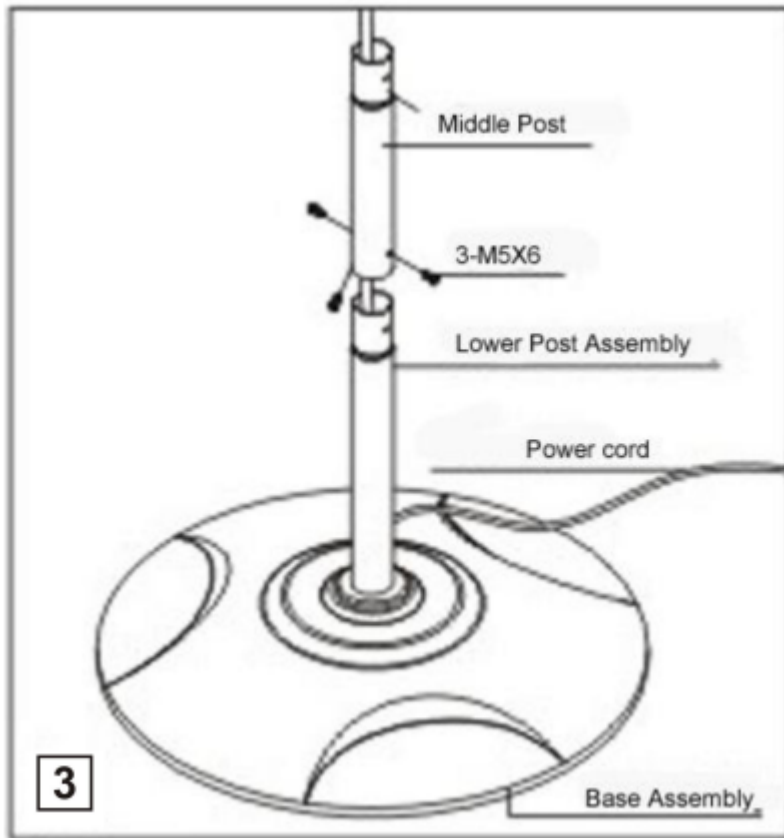
1. Taking off four pieces of M6*30 (fig. 1)



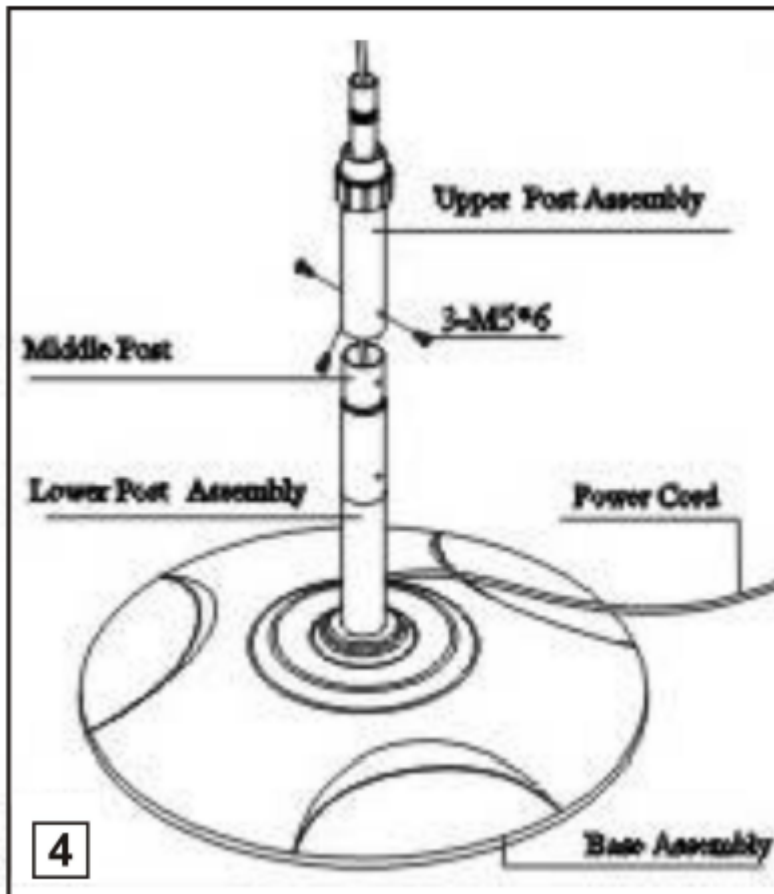
2. Insert the lower post assembly (11) into the base assembly (16) and then fix it tightly by means of 4-M6X3Q screw, and insert the clamp (12) into the lower post (11) . (fig.2)



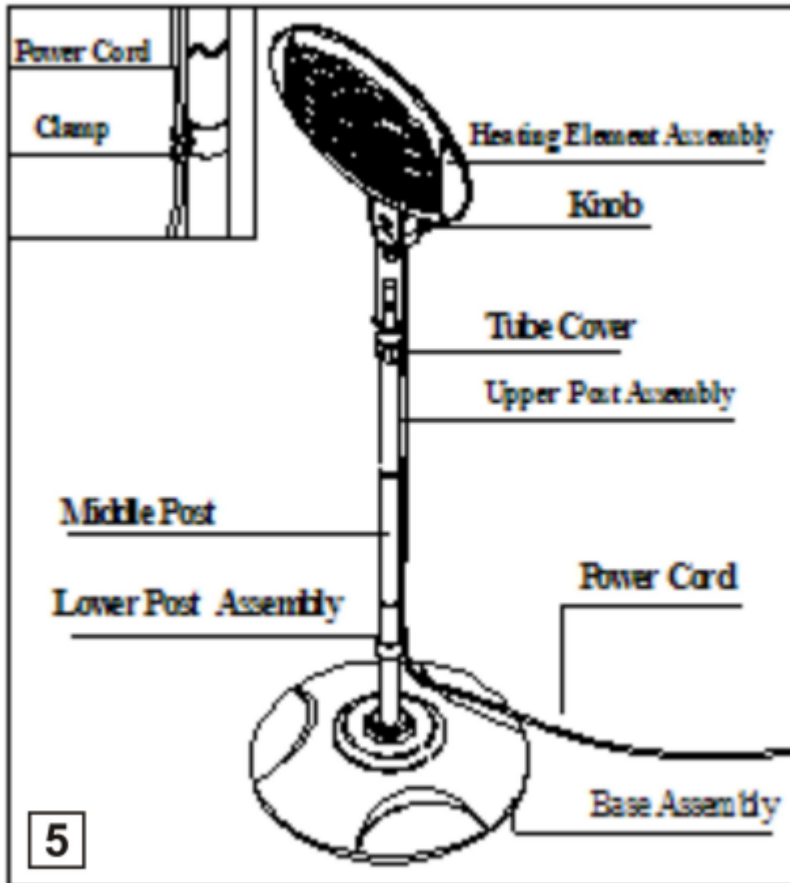
3. Join the Lower Post Assembly and the Middle Post (9) together with 3-M5X6 screw (fig.3)



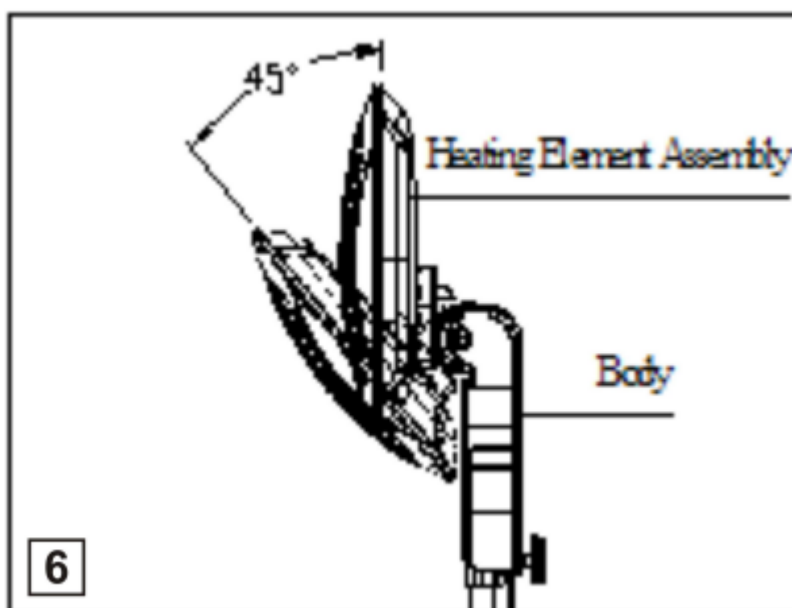
4. Join the Upper Post Assembly (7) and the Middle Post (9) together with 3-M5X6.screw (fig.4)



5. Join the Heating Element Assembly (1) and the Upper Post Assembly (7) together ,then fix them tightly by rotating the Knob, and put the power cord supply into the clamp.(fig.5)



6. According to the request of use angle, Heating Element Assembly can adjust Angle at 0° – 45° . (Fig.6)



OPERATING INSTRUCTION

The appliance is switched on by means of the pull switch (5). The slight vibration noticeable when the appliance is switched on will stop after a few seconds.

6-OUTPUT -Position 0: Stop

- Position 1: 500W (normal power)
- Position 2:1000W (intermediate power)
- Position 3:1500W (full power)

MAINTENANCE

Your appliance does not require any particular maintenance. However, in the event of a malfunction, please consult an Approved Service Center.

This appliance is not intended for use by persons (including children) with reduced physical, sensory or mental capabilities, or lack of experience and knowledge, unless they have been given supervision or instruction concerning use of the appliance by a person responsible for their safety.

Children should be supervised to ensure that they do not play with the appliance.

TROUBLESHOOTING

If the heater will not operate, please check the following before seeking repair or service:

- Check if electricity to the main fuse is working.
- Make certain the power switches are turned on. If not, choose a setting

STORAGE

If the heater will not be used for a long period of time, store it in a cool, dry location when not in use. To prevent dust and dirt build-up, use the original packaging to repack the unit.

WARRANTY

TRUSTECH warrants this product against defects in materials and/or workmanship under normal use for a period of ONE (1) YEAR from the date of purchase by the original purchaser ("Warranty Period"). If a defect arises and a valid claim is received within the Warranty Period, at its option, TRUSTECH will either 1) repair the defect at no charge, using new or refurbished replacement parts, or 2) replace the product with a new product that is at least functionally equivalent to the original product, or provide a store credit in the amount of the purchase price of the original product. A replacement product or part, including a user-installable part installed in accordance

with instructions provided by TRUSTECH, assumes the remaining warranty of the original product. When a product or part is exchanged, any replacement item becomes your property and the replaced item becomes TRUSTECH's property. When a store credit is given, the original product must be returned to TRUSTECH and becomes TRUSTECH's property. To obtain warranty service, e-mail TRUSTECH Limited Warranty Service. Please be prepared to describe the product that needs service and the nature of the problem.

This warranty does not apply to:

- a. damage caused by failure to follow instructions relating to product' use or the installation of components;
- b. damage caused by accident, abuse, misuse, fire, floods, earthquake or other external causes;
- c. damage caused by service performed by anyone who is not a representative of AIR CHOICE;
- d. accessories used in conjunction with a covered product
- e. a product or part that has been modified to alter functionality or capability;
- f. items intended to be periodically replaced by the purchaser during the normal life of the product including, without limitation, batteries or light bulbs;
- g. any product sold "as is" including, without limitation, floor demonstration models and refurbished items; or
- h. a product that is used commercially or for a commercial purpose.

Warning

This content is compiled from multiple sources and is provided for reference purposes only. It may not be complete or fully applicable to all situations. If you are unable to resolve your issue, please contact the product manufacturer or an authorized service provider for official support.