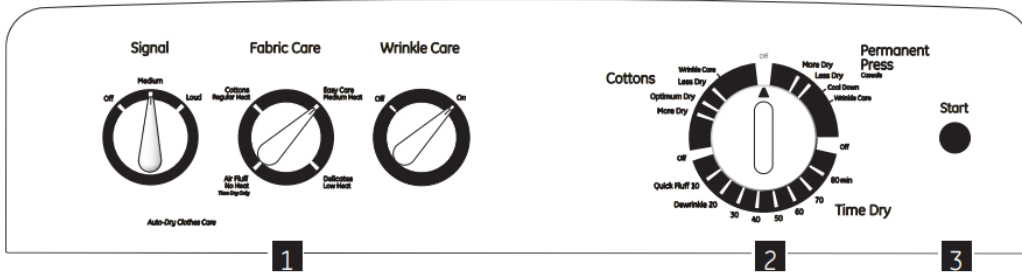
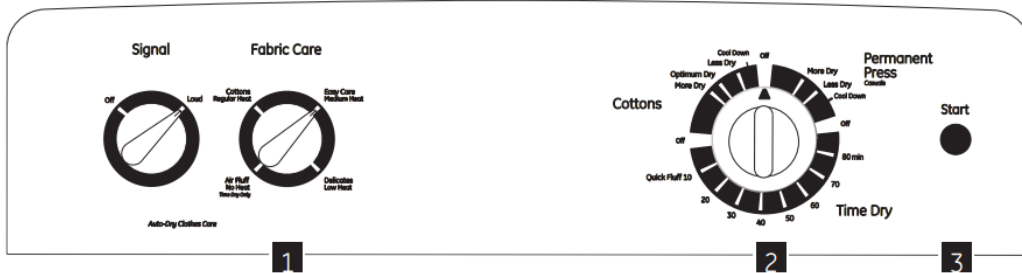


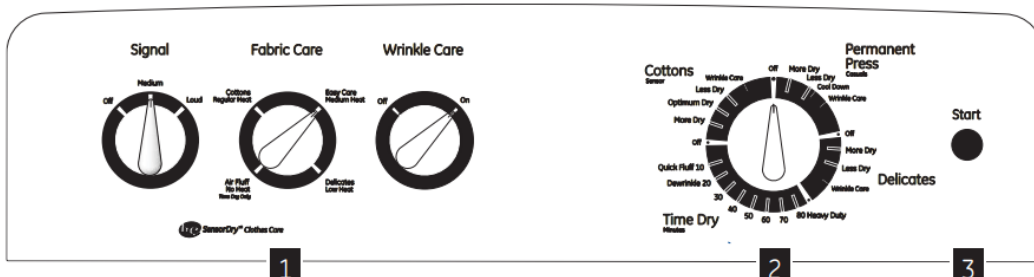
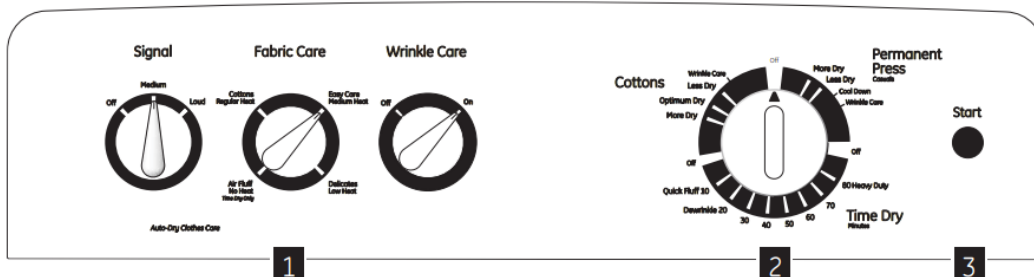
About the dryer control panel

WARNING! To reduce the risk of fire, electric shock, or injury to persons, read the **IMPORTANT SAFETY INSTRUCTIONS** before operating this appliance

Throughout this manual, features and appearance may vary from your model.



NOTE: Drying times will vary according to the type of heat used (Electric, Natural or LP gas), size of load, types of fabrics, wetness of clothes and condition of exhaust ducts.



IMPORTANT: Clean the lint filter each time you use the dryer.



1 Fabric Care/Temperature (Not all features are on all models)

Cottons/ Reg. Heat For regular to heavy cottons.

Easy Care / Med. Heat For synthetics, blends, delicates and items labeled permanent press

DELICATES / Low Heat On some models. For delicates, synthetics and items labeled tumble dry low.

Air Fluff/No Heat For fluffing items without heat. Use the **Time Dry** cycle.

Automatic cycles automatically determine fabric dryness. Select **Less Dry** if you want your clothes slightly damp at the end of the drying cycle. Select **More Dry** if you want them to feel drier.

Timed cycles run for a selected time.

2 Drying Cycles (Not all features are on all models)

Cottons For cottons and most linens. For most loads, select **Optimum Dry** (on some models).

Permanent -Press/Casuals For wrinkle-free, permanent press and delicate items, and knits.

Delicates For delicate items, special-care fabrics and knits.

Time Dry Set the Cycle Selector at the desired drying time.

Dewrinkle For removing wrinkles from items that are clean and dry or that are very lightly damp.

Quick Fluff For freshening or fluffing up already dry clothing, fabrics, linens and pillows. Use with **Air Fluff No Heat**. Provides 10 minutes of no heat tumbling.

3 Start—Close the dryer door. Select **Start**. Opening the door during operation will stop the dryer. To restart the dryer, close the door and select **Start** to complete the cycle.

Color Logic (on some models)

Select the correct **Fabric Care** setting. Match the particular color below the words with the same color on the Cycle Dial.

Example: Drying a load of clothing labeled permanent press.

1. Choose the **Fabric Care** setting—for this load it would be the **Easy Care Med. HEAT** (which is a particular color).
2. Turn the Cycle Dial to the area that has the same color as the **Fabric Care** setting you have chosen—for this load it would be the **Easy Care Automatic**.

About the dryer features.

Wrinkle Care Option (on some models)



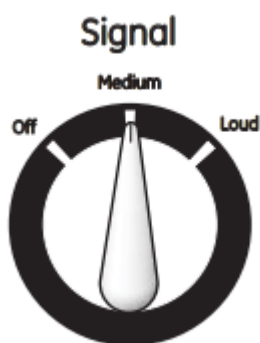
Use this option to minimize the wrinkles in clothes. It provides approximately 15 minutes of no-heat tumbling after the clothes are dry.

This option can only be used with the **Cottons** and **Easy Care** cycles.

If you are using the **Cycle Signal** knob and you select the **Wrinkle Care** option, a signal will sound at the end of the drying time and several times during the **Wrinkle CARE** cycle. This will remind you that it is time to remove the clothes.

If **Wrinkle Care** is not on, the dryer will stop once the timer reaches the **Wrinkle Care** mark on the cycle dial.

Cycle Signal Option (on some models)



This signal will sound just before the end of the cycle to remind you to remove the clothes. On some models, the signal sound level cannot be adjusted.

If you selected the **Wrinkle Care** option, the signal will sound at the end of the drying time and will sound several times during the **Wrinkle Care** cycle. This will remind you that it is time to remove the clothes.

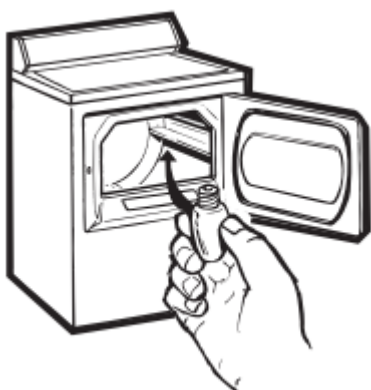
NOTE:

- **Remove garments promptly at the sound of the signal. Place clothes on hangers so wrinkles won't set in.**
- **Use the Cycle Signal especially when drying fabrics like polyester knits and permanent press. These fabrics should be removed so wrinkles won't set in.**

Automatic Cycle Signal (on some models)

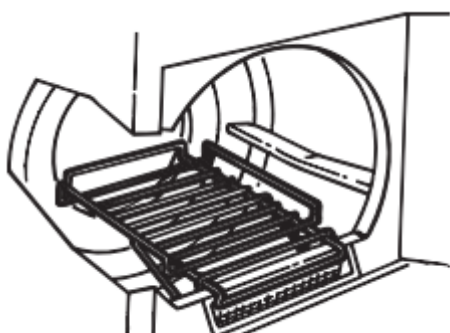
At the end of each cycle, there is approximately 15 minutes of no-heat tumbling after the laundry is dry. A reminder signal will sound periodically during this time to remind you to remove the laundry

Drum Lamp (on some models)



Before replacing the light bulb, be sure to unplug the dryer power cord or disconnect the dryer at the household distribution panel by removing the fuse or switching off the circuit breaker. Reach above dryer opening from inside the drum. Remove the bulb and replace with the same size bulb.

Drying Rack (on some models)



A handy drying rack may be used for drying delicate items such as washable sweaters.

Hook the rack over the lint filter so the rack extends into the dryer drum.

NOTE:

- **The drying rack must be used with the Time Dry cycle.**
- **Do not use this drying rack when there are other clothes in the dryer.**

Stainless Steel Drum (on some models)

The stainless steel used to make the dryer drum provides the highest reliability available in a GE dryer. If the dryer drum should be scratched or dented during normal use, the drum will not rust or corrode. These surface blemishes will not affect the function or durability of the drum.

About reversing the door.

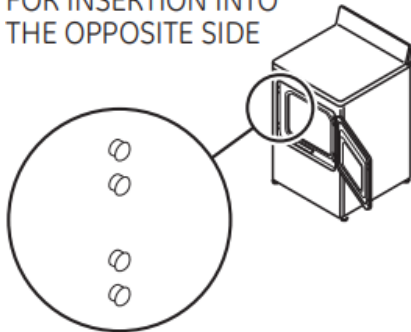
Reversing the Door

Tools needed:

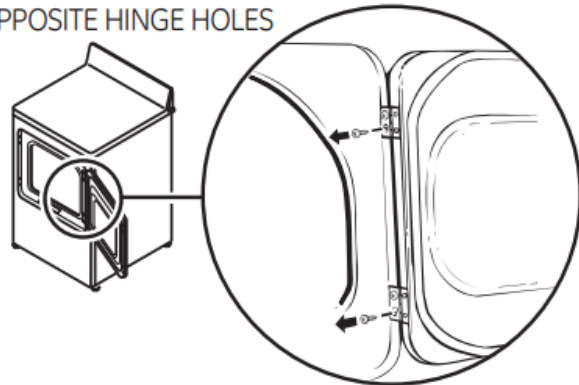
- Standard #2 Phillips screwdriver
- Tape-tipped putty knife

1. Open the door and remove the filler plugs opposite the hinges. With the door completely open, remove the bottom screw from each hinge on the dryer face. Insert these screws about half way into the **TOP** holes, for each hinge, on the opposite side (where you removed the filler plugs). Apply firm pressure to get the screw started in new holes.

REMOVE 4 PLUGS AND KEEP FOR INSERTION INTO THE OPPOSITE SIDE



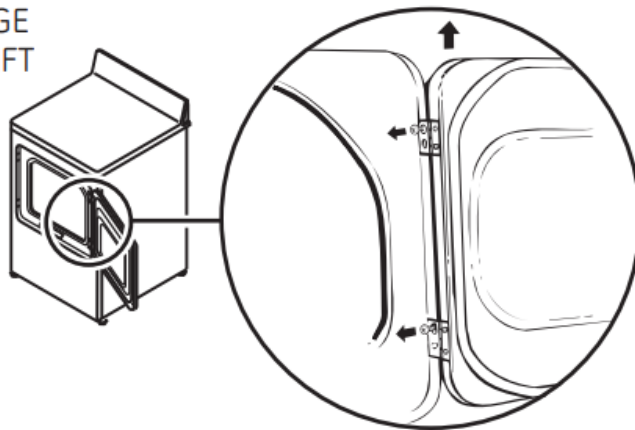
REMOVE **BOTTOM** SCREW FROM EACH HINGE AND INSTALL HALF WAY INTO EACH **TOP** OF OPPOSITE HINGE HOLES



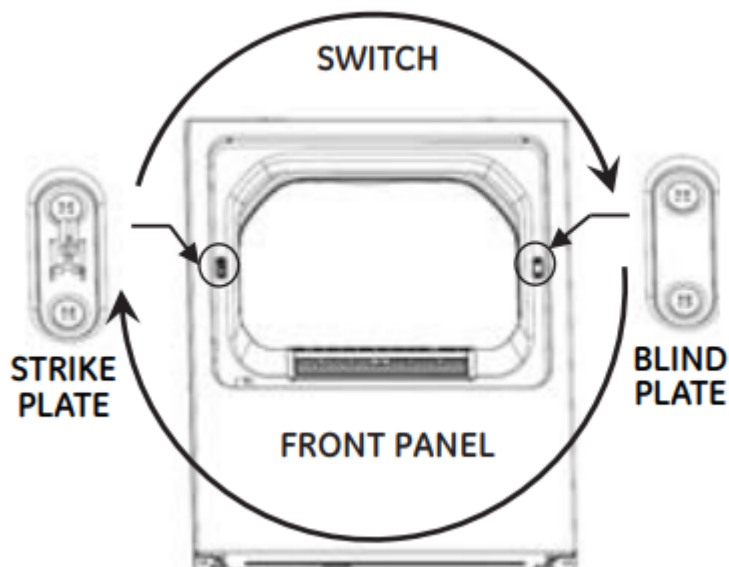
2. Loosen top screw from each hinge on the dryer face half way. With one hand holding the top of the door and the other hand holding the bottom, remove the door from the dryer by

lifting it **UP** and **OUT**.

LOOSEN EACH TOP HINGE
SCREW HALF WAY AND LIFT
THE DOOR UP AND OFF

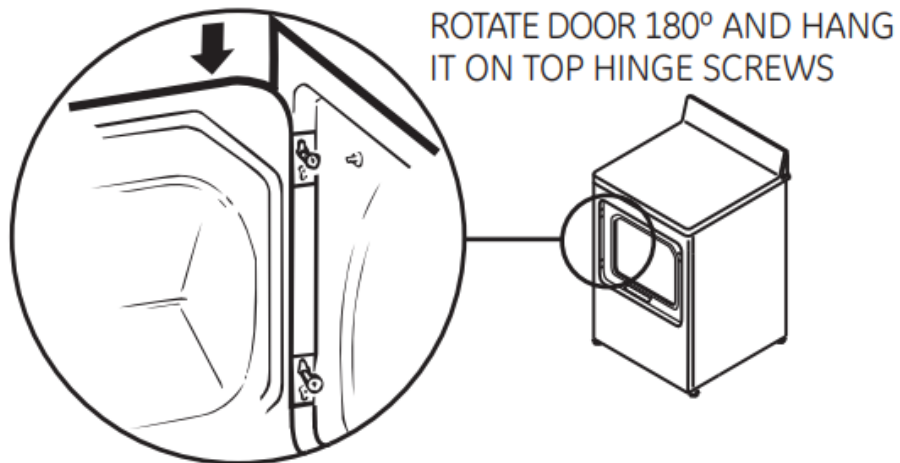


3. Remove the blind plate from the hinge side of the dryer by removing its two screws. Remove the strike plate from the opposite side of the dryer by removing its two screws. Reinstall the plates, on the opposite sides, using two screws in each plate.

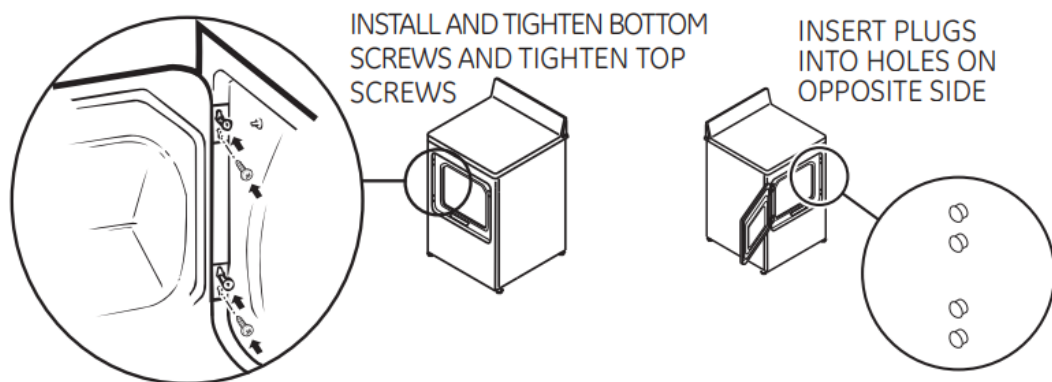


4. Rotate the door 180°. Insert it on the opposite side of the opening by moving the door **IN** and **DOWN** until the top hinge and the bottom hinge are resting on the top screws

inserted in step 1.



5. Remove the remaining screws from the side of the opening from which the door was removed. With these screws, secure each hinge at the bottom. Tighten the two top screws of each hinge. Reinsert the plastic plugs on the side from which the door was removed.



Loading and using the dryer.

Always follow the fabric manufacturer's care label when laundering.

Sorting and Loading Hints



As a general rule, if clothes are sorted properly for the washer, they are sorted properly for the dryer.

Do not add fabric softener sheets once the load has become warm. They may cause fabric softener stains. Bounce® Fabric Conditioner Dryer Sheets have been approved for use in all GE Dryers when used in accordance with the manufacturer's instructions.

Do not overload. This wastes energy and causes wrinkling.

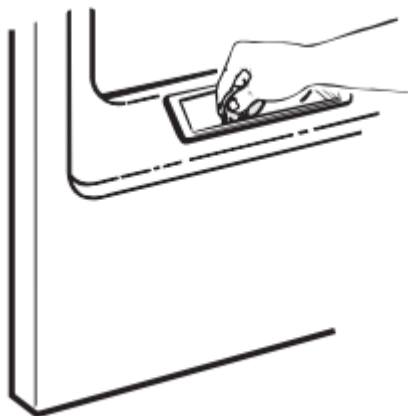
Do not dry the following items: fiberglass items, woolens, rubber-coated items, plastics, items with plastic trim and foam-filled items.

Care and Cleaning of the Dryer



The Exterior. Wipe or dust any spills or washing compounds with a damp cloth. Dryer control panel and finishes may be damaged by some laundry pretreatment soil and stain remover products. Apply these products away from the dryer. The fabric may then be washed and dried normally. Damage to your dryer caused by these products is not covered by your warranty.

The Lint Filter: Clean the lint filter before each use. Moisten your fingers and reach into the filter opening. Run your fingers across the filter. Have a qualified technician vacuum the lint from the dryer once a year.



Stainless Steel: To clean stainless steel surfaces, use a damp cloth with a mild, non-abrasive cleaner suitable for stainless steel surfaces. Remove the cleaner residue, and then dry with a clean cloth.

The Exhaust Duct: Inspect and clean the exhaust ducting at least once a year to prevent clogging.

A partially clogged exhaust can lengthen the drying time.

Follow these steps:

1. Turn off electrical supply by disconnecting the plug from the wall socket.
2. Disconnect the duct from the dryer.
3. Vacuum the duct with the hose attachment and reconnect the duct.

The Exhaust Hood: Check from the outside that the flaps of the hood move freely when operating. Make sure that there is not wildlife (birds, insects, etc.) nesting inside the duct or hood.

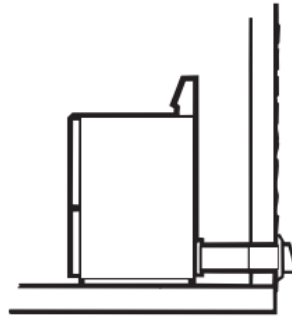
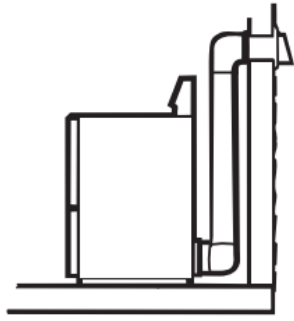
Venting the Dryer



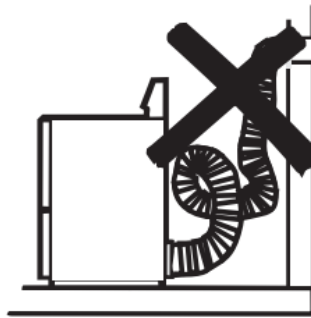
For the best drying performance, the dryer needs to be properly vented. **The dryer will use more energy and run longer if it is not vented to the below specifications. Carefully follow the details on Exhausting in the Installation Instructions.**

- Use only rigid metal 4" diameter ductwork inside the dryer cabinet. Use only rigid metal or UL listed flexible metal 4" diameter ductwork for exhausting to the outside.
- Do not use plastic or other combustible ductwork.
- Use the shortest length possible.
- Do not crush or collapse.
- Avoid resting the duct on sharp objects.
- **Venting must conform to local building codes.**

*Correct
Venting*



*Incorrect
Venting*



Troubleshooting Tips

Before you call for service...



Problem	Possible Causes	What To Do
Dryer doesn't start	Dryer is unplugged	<ul style="list-style-type: none"> • Make sure the dryer plug is pushed completely into the outlet.
	Fuse is blown/circuit breaker is tripped	<ul style="list-style-type: none"> • Check the house fuse/circuit breaker and replace fuse or reset breaker. Most electric dryers use 2 fuses.
Dryer doesn't heat	Fuse is blown/circuit breaker is tripped; the dryer may tumble but not heat	<ul style="list-style-type: none"> • Check the house fuse/circuit breaker and replace both fuses or reset breakers. Your dryer may tumble if fuse is blown or one breaker tripped.
	Gas service is off	<ul style="list-style-type: none"> • Make sure gas shutoff at dryer and shutoff are fully open.
Dryer shakes or makes noise	Some shaking/noise is normal. Dryer may be sitting unevenly	<ul style="list-style-type: none"> • Move dryer to an even floor space and level legs as necessary until it is level.
Greasy spots on clothes	Improper use of fabric softener	<ul style="list-style-type: none"> • Follow directions on fabric softener package.
	Drying dirty items with clean ones	<ul style="list-style-type: none"> • Use your dryer to dry only clean items. Dirty items can stain clean items and cause odors.
	Clothes were not completely clean	<ul style="list-style-type: none"> • Sometimes stains which cannot be removed when the clothes are wet appear after drying. Use proper washing procedure before drying.
Lint on clothes	Lint filter is full	<ul style="list-style-type: none"> • Clean lint screen before each load.
	Improper sorting	<ul style="list-style-type: none"> • Sort lint producers (like chenille) from lint collectors (like corduroy).
	Static electricity can attract lint	

		<ul style="list-style-type: none"> • See suggestions in this section occurs.
	Overloading	<ul style="list-style-type: none"> • Separate large loads into smaller loads.
	Paper, tissue, etc. left in pockets	<ul style="list-style-type: none"> • Empty all pockets before laundering clothes.
Static occurs	No fabric softener was used	<ul style="list-style-type: none"> • Try a fabric softener. • Bounce® Fabric Conditioner Dryer Balls have been approved for use in all Dryers when used in accordance with manufacturer's instructions.
	Overdrying	<ul style="list-style-type: none"> • Try a fabric softener. • Adjust setting to Less Dry or Delicate.
	Synthetics, permanent press and blends can cause static	<ul style="list-style-type: none"> • Try a fabric softener.
Inconsistent drying times	Type of heat	<ul style="list-style-type: none"> • Automatic drying times will vary according to the type of heat used (electric or LP gas), size of load,
Clothes take too long to dry	Improper sorting	<ul style="list-style-type: none"> • Separate heavy items from light items (generally, a well-sorted washer load is a well-sorted dryer load).
	Large loads of heavy fabrics (like beach towels)	<ul style="list-style-type: none"> • Large, heavy fabrics contain more moisture and take longer to dry. Separate heavy fabrics into smaller loads to reduce drying time.
	Controls improperly set	<ul style="list-style-type: none"> • Match control settings to the load for drying.
	Lint filter is full	<ul style="list-style-type: none"> • Clean lint filter before every load.

	Improper or obstructed ducting	<ul style="list-style-type: none"> • Check installation instructions for ducting/venting. • Make sure ducting is clean, free and unobstructed. • Check to see if outside wall damper operates easily. • Check the Installation Instructions to ensure the dryer venting is correct.
	Blown fuses or tripped circuit breaker	<ul style="list-style-type: none"> • Replace fuses or reset circuit breaker. Since most dryers use 2 fuses/breakers, make sure both are operating.
	Overloading/combining loads	<ul style="list-style-type: none"> • Do not put more than one wash load in the dryer at a time.
	Underloading	<ul style="list-style-type: none"> • If you are drying only one or two items, add a few items to ensure proper tumbling.
Clothes are wrinkled	Overdrying	<ul style="list-style-type: none"> • Select a shorter drying time. • Remove items while they still have some amount of moisture. Select a Less Dry or Damp Dry setting.
	Letting items sit in dryer after cycle ends	<ul style="list-style-type: none"> • Remove items when cycle ends and hang immediately.
	Overloading	<ul style="list-style-type: none"> • Separate large loads into smaller loads.
Clothes shrink	Some fabrics will naturally shrink when washed. Others can be safely washed, but will shrink in the dryer	<ul style="list-style-type: none"> • To avoid shrinkage, follow garment care labels exactly. • Some items may be pressed back into shape after drying. • If you are concerned about shrinking, wash particular items in cold water.



Warning

This content is compiled from multiple sources and is provided for reference purposes only. It may not be complete or fully applicable to all situations. If you are unable to resolve your issue, please contact the product manufacturer or an authorized service provider for official support.

Document generated by [ManualsFile](#)