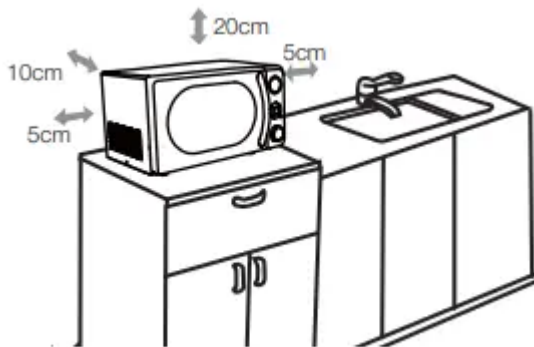


INSTALLATION GUIDE

- Make sure that all the packing materials are removed from the inside of the door.
- This microwave oven must be placed on a flat.
- For correct operation, the oven must have sufficient airflow. Allow minimum 20cm of free space necessary above the top surface of the oven and 5cm at both sides. The microwave oven rear plate must be placed close to the wall. Do not cover or block any openings on the appliance. Do not remove feet.
- Do not operate the oven without glass tray, roller support, and shaft in their proper positions.
- Make sure that the power cord is undamaged and does not run under the oven or over any hot or sharp surface.
- The socket must be readily accessible so the microwave oven can be easily unplugged in an emergency.



COOKING UTENSILS GUIDE



This section lists which utensils can be used in this microwave, which have limited use for short periods, and which should not be used in this microwave.

RECOMMENDED

Microwave browning dish — Use to brown the exterior of small items such as steaks, chops, or pancakes. Follow the directions provided with your browning dish.

Microwaveable plastic wrap — Use to retain steam. Leave a small opening for some steam to escape and avoid placing it directly on the food.

Paper towels and napkins — Use for short-term heating and covering; these absorb excess moisture and prevent spattering. Do not use recycled paper towels, which may contain metal and could ignite.

Glass and glass-ceramic bowls and dishes — Use for heating or cooking.

Paper plates and cups — Use for short-term heating at low temperatures. Do not use recycled paper, which contain metal and could ignite.

Wax paper — Use as a cover to prevent spattering.

Thermometers — Use only those labeled "Microwave Safe" and follow all directions.

Check the food in several places. Conventional thermometers may be used on microwave food once the food has been removed from the oven

LIMITED USE

Aluminum foil — Use narrow strips of foil to prevent overcooking of exposed areas. Using too much foil can damage your oven, so be careful. You should keep distance of 1 inch (2.54cm) between aluminum foil and cavity.

Ceramic, porcelain, and stoneware— Use these if they are labeled "Microwave Safe". If they are not labeled, test them to make sure they can be used safely.

Plastic — Use only if labeled "Microwave Safe". Other plastics can melt.

NOT RECOMMENDED

Glass jars and bottles — Regular glass is too thin to be used in a microwave. It can shatter and cause damage and injury.

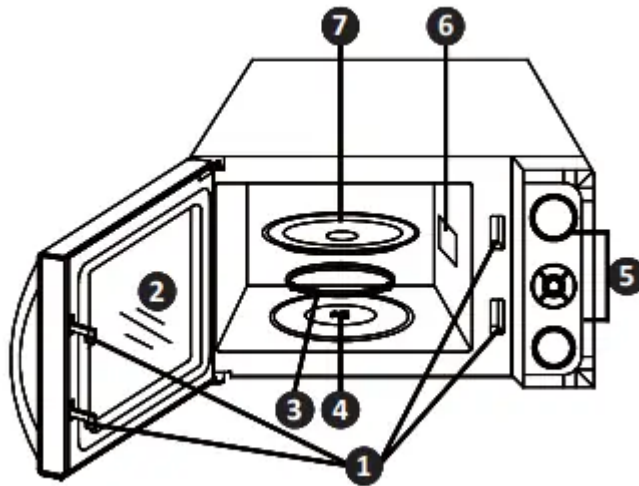
Paper bags — These are a fire hazard, except for popcorn bags bagsesidue on food.

SPECIFICATIONS

Power Consumption	120V/60Hz, 1200W(Microwave)
Output	700W
Operation Frequency	2450MHz
Outside Dimensions(H x W x D)	10 5/16 x 17 13/16 x 13 3/4 in.
Oven Capacity	0.7cu.ft.
Net Weight	Approx.23.1 lbs

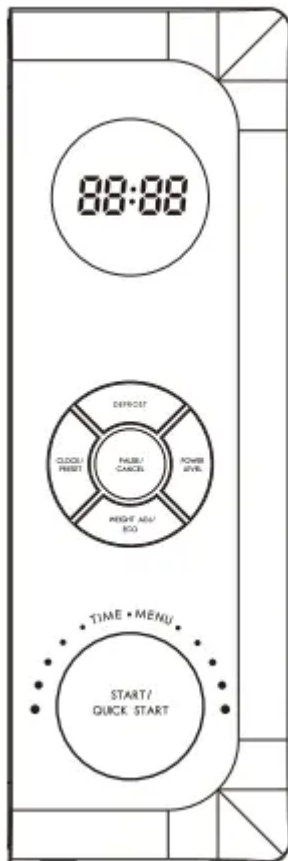


PRODUCT DIAGRAM



1. Door Safety Lock System
2. Oven Window
3. Roller Ring
4. Shaft
5. Control Panel
6. Wave Guide (Please do not remove the mica plate covering the wave guide)
7. Glass Tray

CONTROL PANEL



- **DISPLAY** Cooking time, power, indicators and clock time are displayed.
- **POWER LEVEL** Use to set power level. To check power level during time cooking, press POWER LEVEL pad.
- **DEFROST** Press the pad twice to set weight defrost program. The defrosting time and power level are automatically set once the food weight is programmed. Press the pad once to set defrost program based on time enter.
- **TIME/MENU(knob)** Turn the knob to input popular food menu, clock time, cooking time.
- **PAUSE/CANCEL** Press to clear the selected power level, cook or defrost times that previously programmed. Press to set child lock.
- **START/QUICK START(the knob)** Press to start the cooking or defrosting programs. Press to set quick start program.
- **CLOCK/PRESET** Press to set clock or preset program.
- **WEIGHT ADJ./ECO** Press to set food weight or amount and set eco function.

OPERATION INSTRUCTIONS

- When the oven first plugged in, beep will sound and the display will show "CLOCK" and "1:00".

- In the process of setting, broke about 25 seconds the oven will return to standby mode.
- During cooking program, press PAUSE/CANCEL once to pause the program, and then press START/QUICK START to resume. Press PAUSE/CANCEL twice to cancel the program.
- After ending cooking, the screen will display End with sound every two minutes until user press any pad or open the door.

Setting the Clock

This is a 12 or 24 hour clock. you can choose to set the clock time in 12 or 24 hour cycle by pressing the CLOCK/PRESET pad in standby mode.

In standby mode, press CLOCK/PRESET pad once or twice to choose 12 or 24 hour clock.

1. Turn TIME/MENU to indicate the hour digit.
2. Press CLOCK/PRESET pad once.
3. Turn TIME/MENU knob to indicate the minute digit.
4. Press CLOCK/PRESET to confirm the setting.

NOTE: During cooking, you can check the current time of the clock by pressing CLOCK/PRESET pad.

QUICK START

The oven will operate at HIGH power (100% power output) for quick start cooking program. In standby mode, just press the START/QUICK START pad a number of times to set cooking time, the oven starts working automatically at full power. The longest cooking time is 10 minutes.

NOTE: During cooking ,you can add cooking time by pressing START/QUICK START pad.

Microwave Cooking

To cook with microwave, time and power level should be set. The longest cooking time is 99 minutes 99seconds.

Suppose you want to cook for 5 minutes at 60% of microwave power.

1. Press POWER LEVEL pad repeatedly to select cooking power level.
2. Turn TIME/MENU knob clockwise to enter cooking time. The longest cooking time is 95 minutes.
3. Press START/QUICK START pad to confirm.

Select power level by pressing the POWER LEVEL pad.

PRESS POWER LEVEL PAD	COOKING POWER(DISPLAY)
Once	100% (100)
Twice	80% (80)
3 times	60% (60)
4 times	40% (40)
5 times	20% (20)
6 times	0% (00)

SPEED DEFROST

1. In standby mode, press DEFROST pad once.
2. Turn TIME/MENU knob to enter defrosting time. The longest defrosting time is 95 minutes.
3. Press START/QUICK START pad to confirm.

NOTE: During defrosting program, the system will pause and sound beeps to remind user to turn food over, and then press START/QUICK START to resume the defrosting.

WEIGHT DEFROST

The time and the defrosting power are adjusted automatically once the weight of food is programmed. The food weight ranges from 4oz to 4LB.

1. In standby mode, press DEFROST pad twice.
2. Press WEIGHT ADJ./ECO pad to enter weight of food.
3. Press START/QUICK START pad to confirm.

NOTE: During defrosting program, the system will pause to remind you to turn over the food, after that, presses START/ QUICK START to resume defrosting.

Weight must be in pounds and ounces. If label gives weight in pounds only, change the fraction of a pound to ounces using the following chart.

Converting Fractions of a Pound to Ounces.

Fractions of a pound	Ounces
Less than .03	0
.03 to .09	1
.10 to .15	2
.16 to .21	3
.22 to .27	4
.28 to .34	5
.35 to .40	6
.41 to .46	7
.47 to .53	8
.54 to .59	9
.60 to .65	10
.66 to .71	11
.72 to .78	12
.79 to .84	13
.85 to .90	14
.91 to .97	15
above .97	go to next even

MULTI-STAGE COOKING

Your oven can be programmed for up to 3 automatic cooking sequences. Suppose you want to set the following cooking program.

Microwave-cooking



Microwave-cooking (with lower power level)

1. Set the first stage of microwave cooking program. Do not press START/QUICK START pad.
2. Set the second stage of microwave cooking program.
3. Press START/QUICK START pad to confirm.

NOTE: Quick start, speed defrost, weight defrost and auto menus can't be set in multi-stage cooking.

PRESET

This function allows you to set the oven to start a cooking program in a later time.

Open the door and place the food into the oven, close it.

Enter the desired cook program (except quick start, weight defrost and speed defrost).

1. Press CLOCK/PRESET pad once.
2. Turn the TIME/MENU knob to set hour digit.
3. Press CLOCK/PRESET pad once.
4. Turn the TIME/MENU knob to set minute digit. Press CLOCK/PRESET pad to confirm.

NOTE: In preset mode, you can check the preset time by pressing CLOCK/PRESET pad, and you can cancel preset program by pressing PAUSE/CANCEL pad when the display show preset time.

CHILD LOCK

The child lock prevents unsupervised operation by children.

To set the child lock: In standby mode, press and hold the PAUSE/CANCEL pad for 3 seconds, a beep sounds and lock indicator lights. In the lock state, all pads are disabled.

To cancel the child lock: Press and hold the PAUSE/CANCEL pad for 3 seconds, a beep sounds and lock indicator on display goes off.

ECO

In standby mode, press the WEIGHT ADJ./ECO pad once to turn off the display screen, and then press any pad to turn on the display screen.

AUTO COOK

For the following foods or cooking operation, you do not need to input cooking power and time. It is sufficient to indicate the type of food that you want to cook as well as the weight or shares of this food.

The oven starts to work after you press the START/QUICK START pad.

Auto cook menus:

In standby mode, turn the TIME/MENU knob anticlockwise once and then turn it clockwise to select the menu code which you want to cook.

1. Press WEIGHT ADJ./ECO pad to enter food weight or shares.
2. Press START/QUICK START pad to confirm.

CODE	AUTO MENU	The result of auto cooking depends on factors such as the shape and size of food, your personal preference as to the doneness of certain foods and even how well you happen to place food in the oven. If you find the result at any rate not quite satisfactory, please adjust the cooking time a little bit accordingly.
A-1	Beverage (7.0 oz/cup)	
A-2	Potato (8.0oz/share)	
A-3	Reheat (oz)	
A-4	Frozen Dinner (oz)	
A-5	Popcorn (3.5 oz.)	
A-6	Pizza (oz)	

CLEANING AND CARE

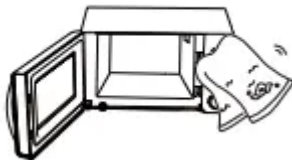
- Turn off the oven and unplug the power cord from the wall when cleaning.



- Keep the inside of the oven clean. When food splatters or spilled liquids adhere to oven walls, wipe with a damp cloth. Mild detergents may be used if the oven gets very dirty. Avoid using spray or other harsh cleaners. They may stain, streak or dull the door surface.



- The outside of the oven should be cleaned with a damp cloth. To prevent damage to the operating parts inside the oven, water should not be allowed to seep into the ventilation openings.
- Wipe the door and window on both sides, the door seals and adjacent parts frequently with a damp cloth to remove any spills or splatters. Do not use abrasive cleaner.
- Do not allow the control panel to become wet. Clean with a soft, damp cloth. When cleaning the control panel, leave oven door open to prevent oven from accidentally turning on.



- If steam accumulates inside or around the outside of the oven door, wipe with a soft cloth. This may occur when the microwave oven is operated under high humidity condition. And it is normal.
- It is occasionally necessary to remove the glass tray for cleaning. Wash the tray in warm sudsy water or in a dishwasher.

CAUTION



- The roller ring and oven floor should be cleaned regularly to avoid excessive noise. Simply wipe the bottom surface of the oven with mild detergent. The roller ring may be

washed in mild, soapy water or in a dishwasher. When removing the roller ring, be sure to replace it in the proper position.

- Remove odors from your oven by combining a cup of water with the juice and skin of one lemon in a microwaveable bowl. Microwave for 5 minutes. Wipe thoroughly and dry with a soft cloth.
- If the light bulb burns out, please contact customer service to have it replaced.
- The oven should be cleaned regularly and any food deposits should be removed. Failure to maintain the oven in a clean condition could lead to deterioration of surface that could adversely affect the life of the unit and could possibly result in a hazardous situation.
- Please do not dispose of this appliance into the domestic rubbish bin; it should be disposed to the particular disposal center provided by the municipalities.

Warning

This content is compiled from multiple sources and is provided for reference purposes only. It may not be complete or fully applicable to all situations. If you are unable to resolve your issue, please contact the product manufacturer or an authorized service provider for official support.