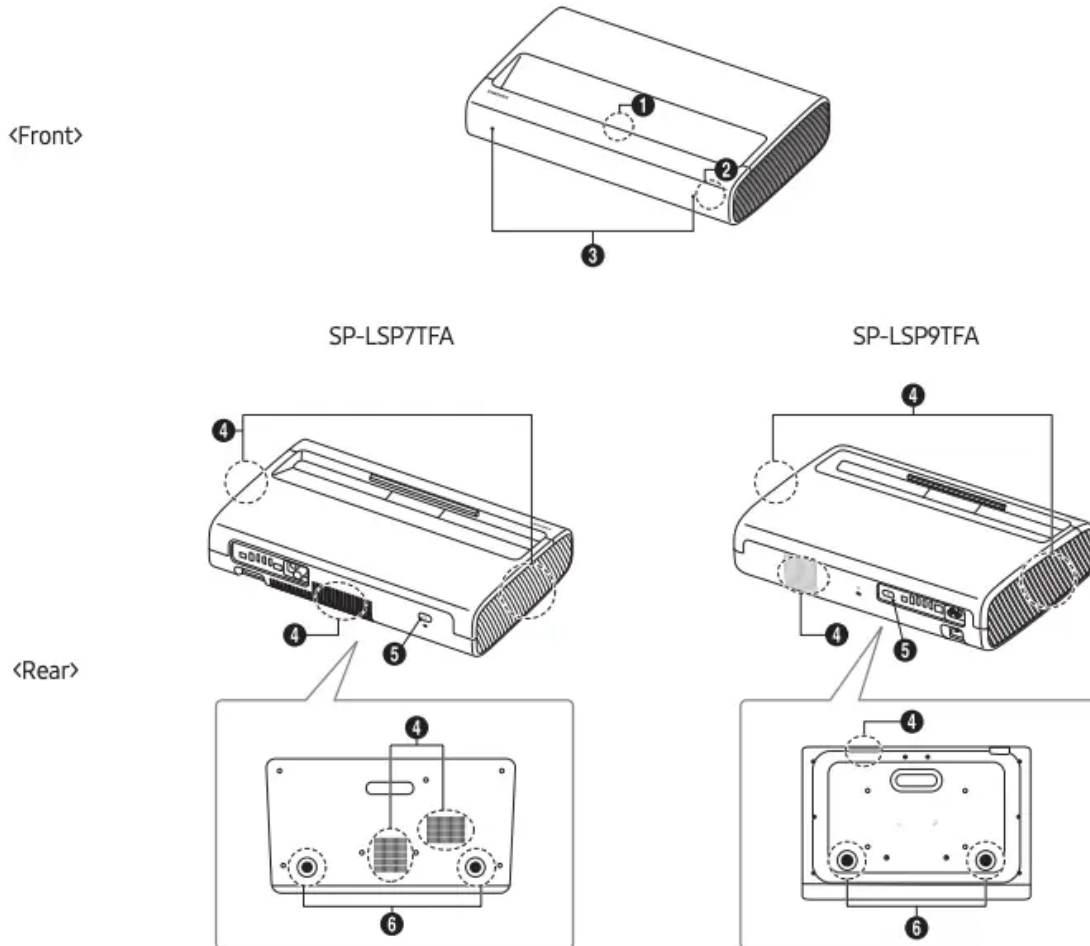


## Product Overview

### About the Projector



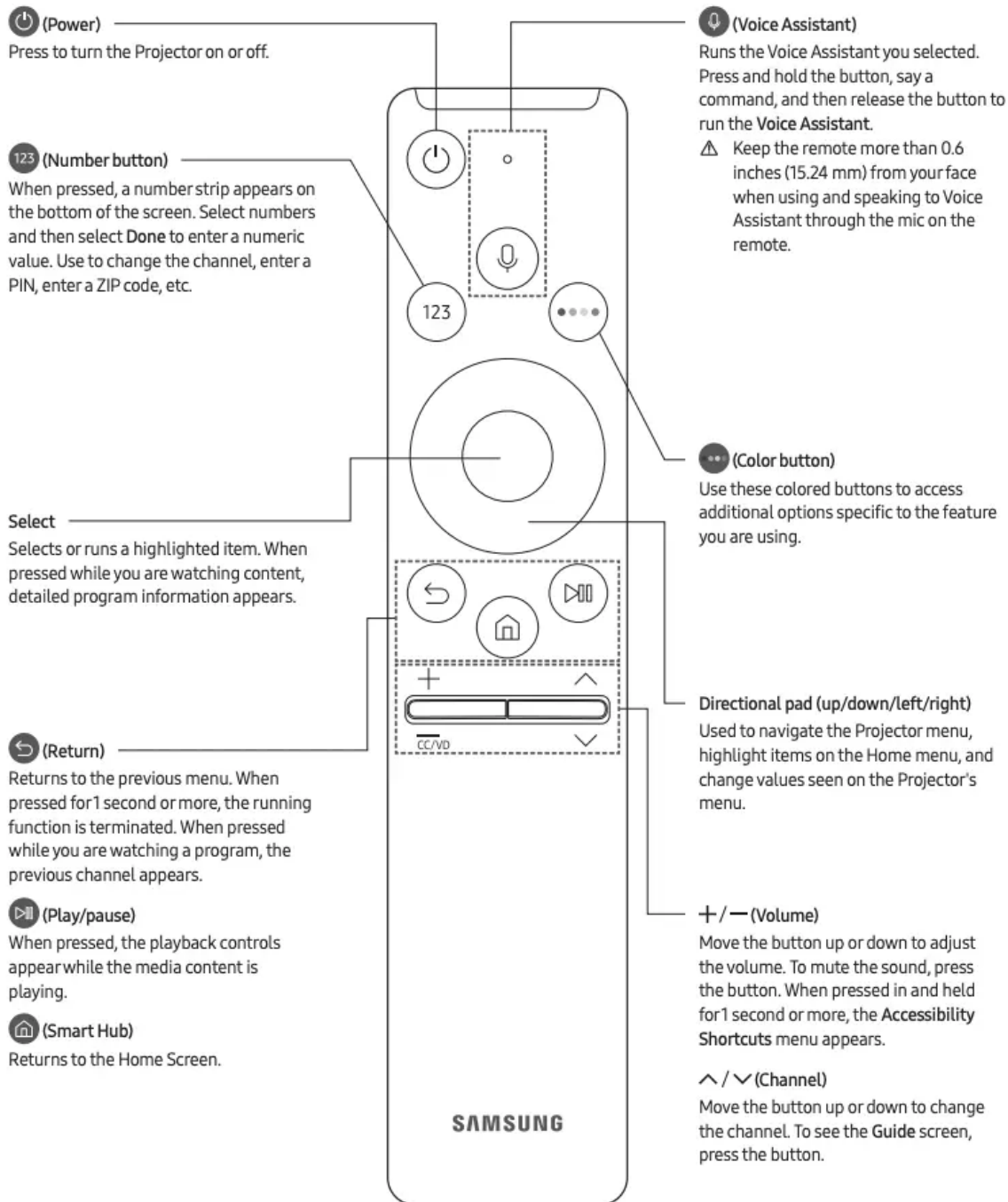
1. Lens
2. Remote control sensor / LED Indicators
3. Speaker
4. Ventilation
5. Power button
6. Tilt-Adjustment Foot

- The product color and shape may vary depending on the model.
- Do not block projector intake and exhaust vents.
- When operating the projector in an enclosed space, allow at least 50 cm (19") clearance around the intake and exhaust vents.

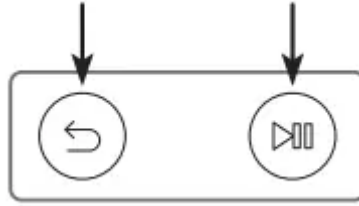
# The Samsung Smart Remote



## About the Buttons on the Samsung Smart Remote

- The images, buttons, and functions of the Samsung Smart Remote may differ depending on the model.
- The Universal Remote function operates normally only when you use the Samsung Smart Remote that comes with the Projector.

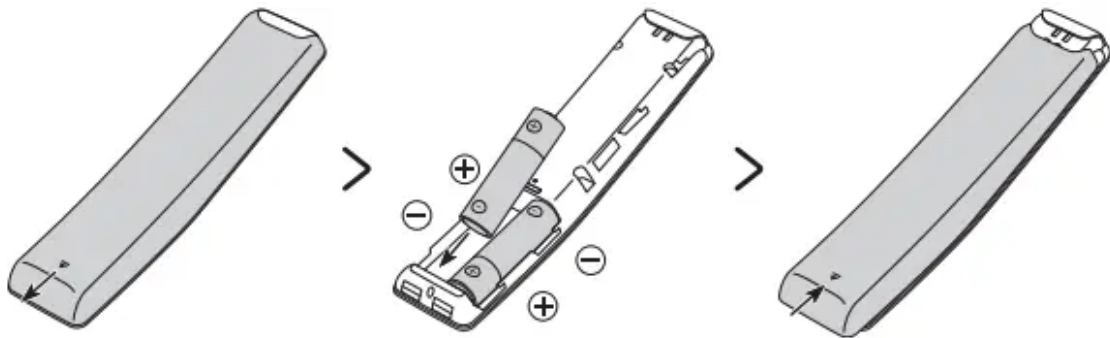


## Pairing the Projector to the Samsung Smart Remote



When you turn on the Projector for the first time, the Samsung Smart Remote pairs to the Projector automatically. If the Samsung Smart Remote does not pair to the Projector automatically, point it at the remote control sensor of the Projector, and then press and hold the buttons labeled  and  as shown in the figure on the left simultaneously for 3 seconds or more.

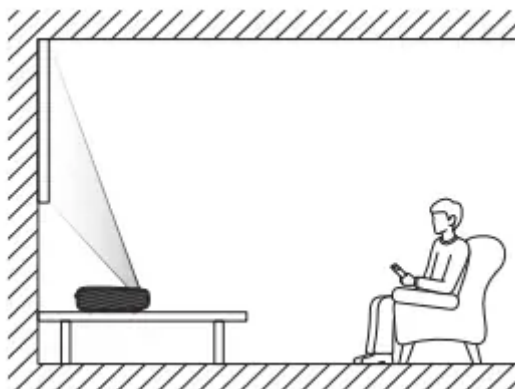
## Installing batteries into the Samsung Smart Remote



To install the batteries, push the rear cover open in the direction of the arrow at the bottom of the illustration, and then insert the batteries as shown in the figure. Make sure that the positive and negative ends are facing in the correct direction. Close the rear cover as shown.

- Alkaline batteries are recommended for longer battery life.

## Installing the Projector





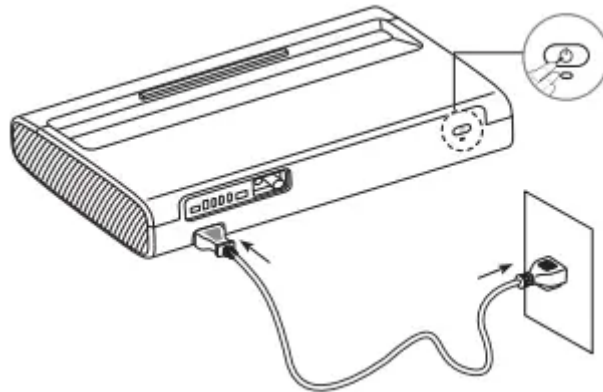
Install the projector horizontally on a flat surface to prevent it from being tilted. When the screen and the projector are not aligned horizontally and vertically, or the screen is curved, the display may get distorted.

1. Place the projector at an appropriate distance from the screen to be projected, connect with the power cable, and then turn it on.

- When you turn on your Projector for the first time, it immediately starts the Initial Setup. Follow the instructions displayed on the screen and configure the Projector's basic settings to suit your viewing environment.

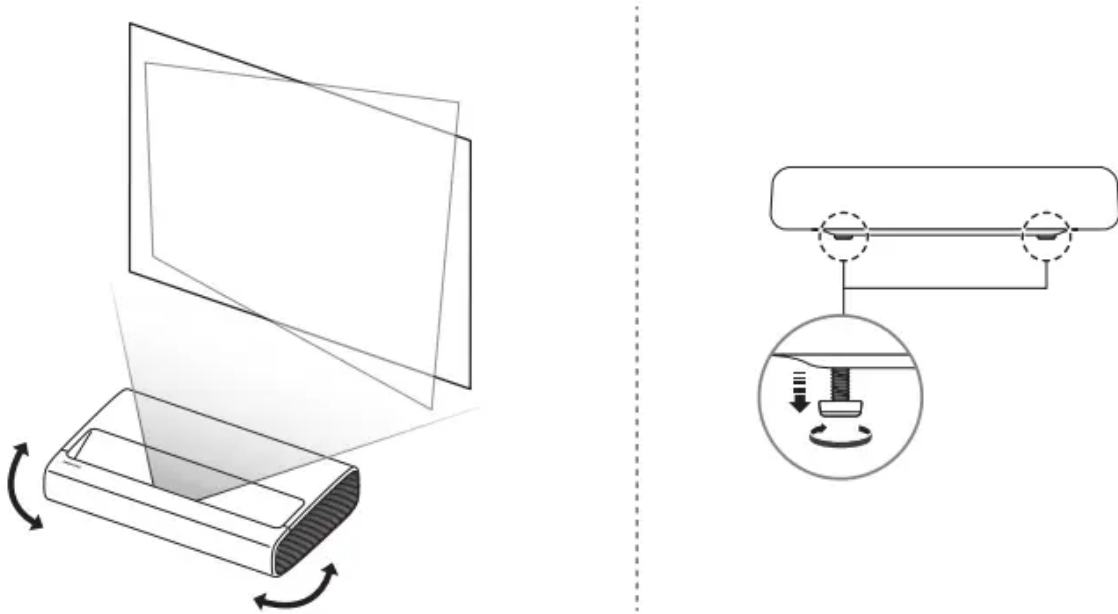
– You can turn on the Projector with the power button at the rear of the Projector, and then use the Control menu. The Control menu appears when the power button is pressed while the Projector is On.

– When the screen looks skewed or blurred, adjust the display settings by following the next instruction.




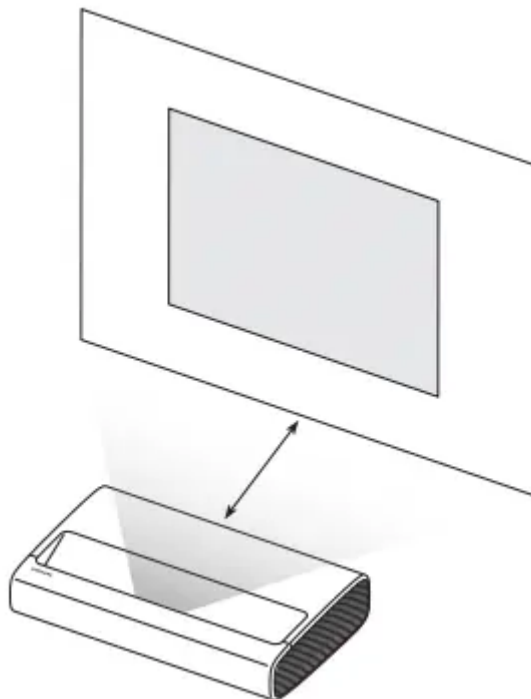
The product color and shape may vary depending on the model.

2. Adjust the angle by moving the projector left or right or adjust the angle adjusting tilt-adjustment foot at the bottom to make the screen to be rectangular.



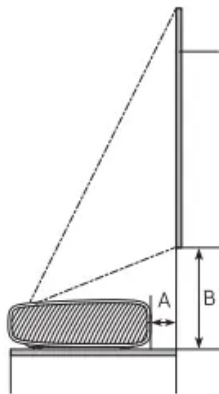
3. Move the projector forward or backward to adjust the projection distance for a desired screen size.

- When the projected screen is unclear, adjust in  Settings > General > Projector Settings > Focus.
- When the projected screen is not a right angle, adjust in Projector Settings > Screen Adjustment. In this case, the screen resolution may decrease.
- For information about the screen sizes for each projection distance, refer to the following table.



## Image size and projection distance

– The screen sizes for each projection distance may differ depending on the installation environment.



SP-LSP7TFA

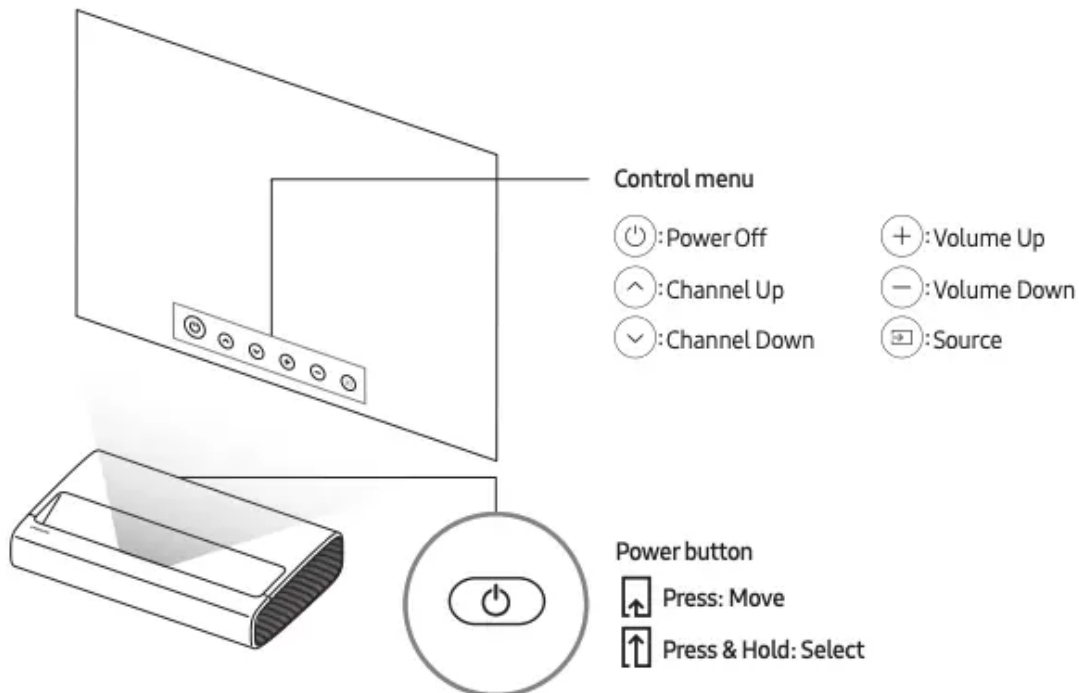
Unit: inches (mm)

C	X	Y	A	B
90 (2286)	78.4 (1992)	44.1 (1121)	9.7 (247)	13.7 (349)
95 (2413)	82.8 (2103)	46.6 (1183)	10.8 (275)	14.3 (364)
100 (2540)	87.2 (2214)	49.0 (1245)	11.9 (303)	14.9 (379)
105 (2667)	91.5 (2324)	51.5 (1308)	13.0 (331)	15.5 (394)
110 (2794)	95.9 (2435)	53.9 (1370)	14.1 (359)	16.1 (409)
115 (2921)	100.2 (2546)	56.4 (1432)	15.2 (387)	16.7 (424)
120 (3048)	104.6 (2657)	58.8 (1494)	16.3 (415)	17.3 (439)

## Using the Power button

You can turn on the Projector with the power button at the rear of the Projector, and then use the Control menu. The Control menu appears when the power button is pressed while the Projector is On. For more information about its usage, refer to the figure below.

- Manipulate buttons on the side of the product so that the projected screen is not covered.
- Be careful not to directly get the light emitted from the projector lens.



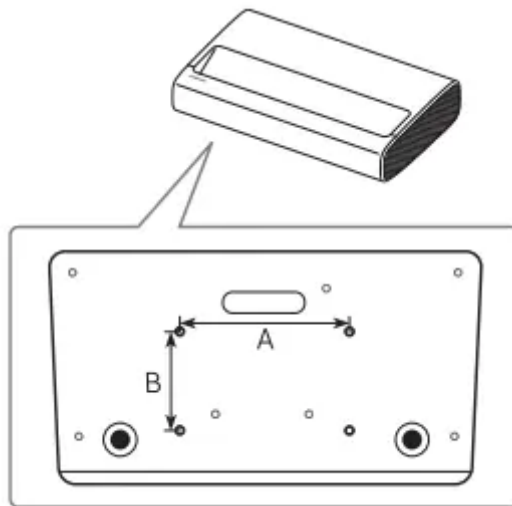
- The product color and shape may vary depending on the model.

## Mounting the Projector on a wall



In order to install the projector on a wall, be sure to consult with a professional service agency. Otherwise, the projector may slip or fall off, resulting in personal injury or damage to the product.

When installing a wall mount kit, we recommend you fasten all four screws.



Screw hole specs (A * B) in millimeters	Screw Depth (mm)	Standard Screw	Pitch (mm)	Quantity
235 x 135	7-9	M6	1.0	4

- The product color and shape may vary depending on the model.





Do not install your wall mount kit while your Projector is turned on. This may result in personal injury from electric shock.

- Do not use screws that are longer than the standard dimension or do not comply with the standard screw specifications. Screws that are too long may cause damage to the inside of the Projector set.
- For wall mounts that do not comply with the standard screw specifications, the length of the screws may differ depending on the wall mount specifications.
- Do not fasten the screws too firmly. This may damage the product or cause the product to fall, leading to personal injury. Samsung is not liable for these kinds of accidents.
- Samsung is not liable for product damage or personal injury when a non-specified wall mount is used or when the consumer fails to follow the product installation instructions.
- Always have two people mount the Projector onto a wall.

# Troubleshooting and Maintenance

## Troubleshooting




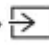
If the Projector seems to have a problem, first review this list of possible problems and solutions. Alternatively, review the Troubleshooting Section in the e-Manual. If none of the troubleshooting tips apply, please visit "samsung" and click Support or contact the Samsung service center listed on the back cover of this manual.



- For detailed information on troubleshooting, watch the troubleshooting videos at [samsung/spsn](http://samsung/spsn).
- To keep your Projector in optimum condition, upgrade to the latest software. Use the Update Now or Auto Update functions on the Projector's menu (  >  > Settings > Support > Software Update > Update Now or Auto Update).

### **The Projector won't turn on.**

- Make sure that the AC power cord is securely plugged in to the Projector and the wall outlet.
- Make sure that the wall outlet is working and the power indicator at the front right of the Projector is lit and glowing a solid red.
- Try pressing the Power button at the rear of the Projector to make sure that the problem is not with the remote control. If the Projector turns on, refer to "The remote control does not work."

### **There is no picture/video/sound, or a distorted picture/video/sound from an external device, or "Weak or No Signal" is displayed on the Projector, or you cannot find a channel.**

- Perform a Projector self diagnosis to determine if the problem is caused by the Projector or the device (  >  > Settings > Support > Device Care > Self Diagnosis > Picture Test or Sound Test).
- If the test results are normal, make sure the connection to the device is correct and that all cables are fully inserted.
- Remove and reconnect all cables connected to the Projector and the external devices. Try new cables if possible and confirm that the correct input source has been selected (  >  > Source).
- Reboot the connected devices by unplugging each device's power cord and then plugging it in again. If the issue persists, refer to the connection guide in the user manual of the connected device.

- If you are not using a cable box or satellite box, and your Projector is receiving TV signals from an antenna or a cable wall connector, run Auto Program to search for channels (  >  > Settings > Broadcasting > Auto Program).

### **The remote control does not work.**

- Check if the power indicator at the front right of the Projector blinks when you press the remote's Power button. If it does not, replace the remote control's batteries.
- Make sure that the batteries are installed with their poles (+/-) in the correct direction.
- Try pointing the remote directly at the Projector from 5 ft. to 6 ft. (1.5-1.8 m) away.
- If your Projector came with a Samsung Smart Remote (Bluetooth Remote), make sure to pair the remote to the Projector.

#### **Warning**

This content is compiled from multiple sources and is provided for reference purposes only. It may not be complete or fully applicable to all situations. If you are unable to resolve your issue, please contact the product manufacturer or an authorized service provider for official support.