

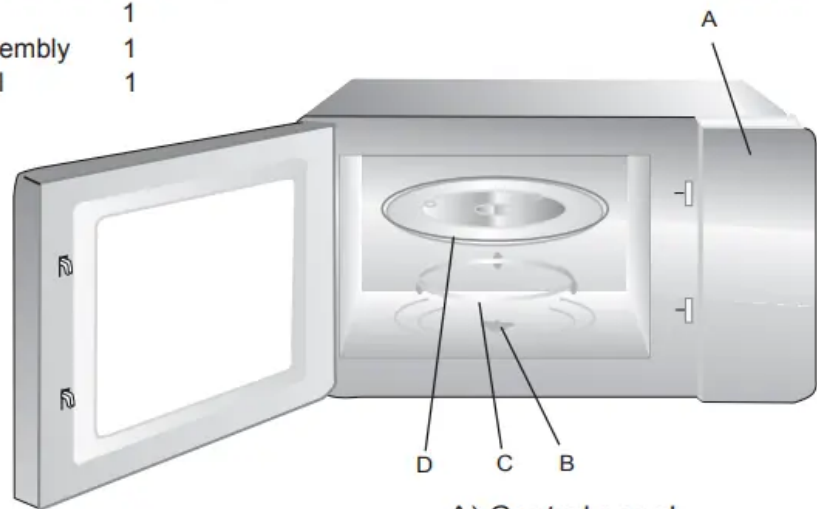
## SETTING UP YOUR OVEN

### Names of Oven Parts and Accessories

Remove the oven and all materials from the carton and oven cavity.

Your oven comes with the following accessories:

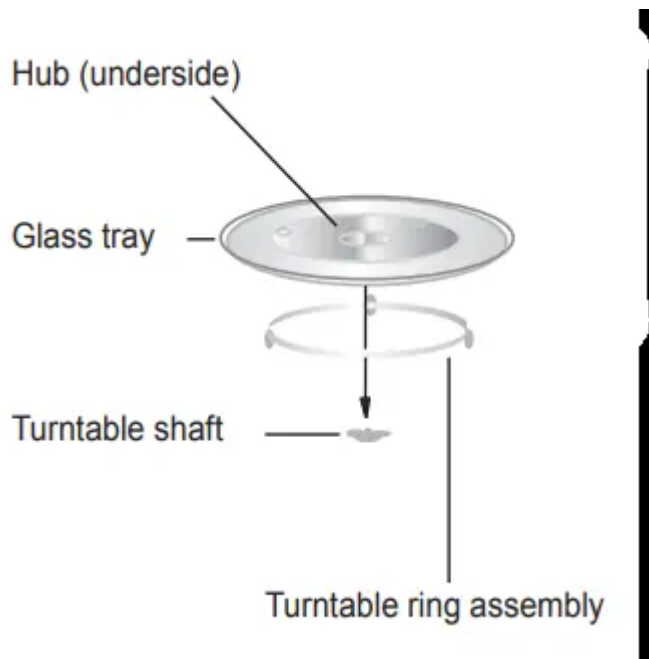
Glass tray	1
Turntable ring assembly	1
Instruction manual	1



- A) Control panel
- B) Turntable shaft
- C) Turntable ring assembly
- D) Glass tray

- A) Control panel
- B) Turntable shaft
- C) Turntable ring assembly
- D) Glass tray

## Turntable Installation



- a. Never place the glass tray upside down. The glass tray should never be restricted.
- b. Both glass tray and turntable ring assembly must always be used during cooking.
- c. All food and containers of food are always placed on the glass tray for cooking.

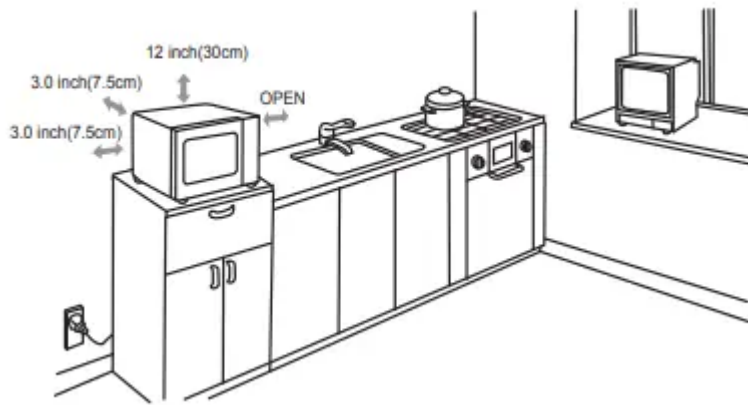
## Before Installation

Remove all packing material and accessories. Examine the oven for any damage such as dents or broken door. Do not install if oven is damaged.

Cabinet: Remove any protective film found on the microwave oven cabinet surface. Do not remove the light brown Mica cover that is attached to the oven cavity to protect the magnetron.

## Installation

1. Select a level surface that provides enough open space for the intake and/or outlet vents. (7.5cm) is required between the oven and any adjacent walls. One side must be open.



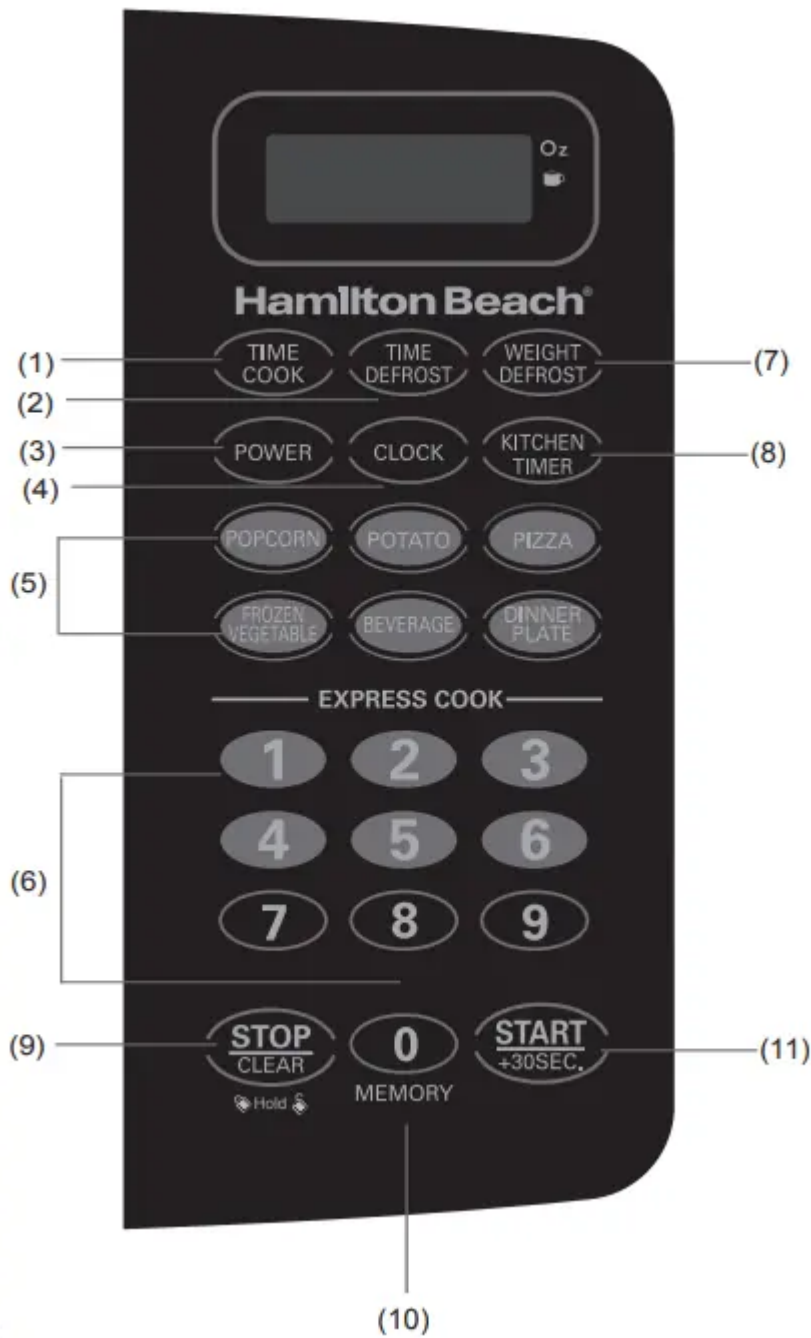
- a. Leave a minimum clearance of 12 inches (30cm) above the oven.
- b. Do not remove the legs from the bottom of the oven.
- c. Blocking the intake and/or outlet openings can damage the oven.
- d. Place the oven as far away from radios and TV as possible. Operation of microwave oven may cause interference to your radio or TV reception.

2. Plug your oven into a standard household outlet. Be sure the voltage and the frequency is the same as the voltage and the frequency on the rating label.

**WARNING:** Do not install oven over a range cooktop or other heat-producing appliance. If installed near or over a heat source, the oven could be damaged and the warranty would be void.

# OPERATION

## Control Panel and Features



- (1) Time Cook
- (2) Time Defrost
- (3) Power
- (4) Clock
- (5) Auto menu: Popcorn, Potato, Pizza, Frozen Vegetable, Beverage, Dinner Plate



(6) Number Buttons: 0-9

(7) Weight Defrost

(8) Kitchen Timer function

(9) Stop/Clear : clears all previous settings pressed before cooking starts. During cooking: press once to stop oven; twice to stop and clear all entries.

(10) Memory function

(11) Start/+30Sec.

## Power Level

The following power levels are available.

Level	10	9	8	7	6	5	4	3	2	1
Power	100%	90%	80%	70%	60%	50%	40%	30%	20%	10%
Display	PL10	PL9	PL8	PL7	PL6	PL5	PL4	PL3	PL2	PL1

## Clock Setting

1. Press " CLOCK," "00:00" will display.



2. Press the number keys and enter the current time. For example, to set the clock to 10:12, press "1,0,1,2".



3. Press " CLOCK," to finish clock setting. ":" will flash and the clock will be lit.

4. If the numbers are not within the range of 1:00-12:59, the setting will be invalid until valid numbers are input.

Note:

1. In the process of clock setting, if the " STOP/CLEAR" button is pressed or if there is no operation selected within 1 minute, the oven will go back to the previous setting automatically.

2. If the clock needs to be reset, repeat steps 1- 3.

## Kitchen Timer

1. Press " KITCHEN TIMER ," display will show 00:00 , the first hour figure flashes.



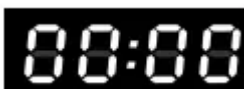
2. Press the number keys and enter the timer time. (The maximum cooking time is 99 minutes and 99 seconds).
3. Press " START/+30SEC. " to confirm setting.
  - When the timer time arrives, the buzzer will beep 5 times. If the clock is set , he LED will display the current time.

### Note:

1. The kitchen timer is a timer and will not display the "Clock."
2. When using the kitchen timer, o other program can be set.

## Microwave Cook

1. Press " TIME COOK" once, the display will show "00:00".



2. Press number keys to input the cooking time; the maximum cooking time is 99 minutes and 99 seconds.
3. Press " POWER " once, the display will show "PL10". The default power is 100% power. Now you can press number keys to adjust the power level.
4. Press " START/+30SEC." to start cooking.

Example: to cook the food with 50% microwave power for 15 minutes.

- a. Press "TIME COOK" once. "00:00" displays.
- b. Press "1","5","0","0" in order.
- c. Press "POWER" once, then press "5" to select 50% microwave power.
- d. Press "START/+30SEC." to start cooking.

### Note:

1. In the process of setting, if the " STOP/CLEAR" button is pressed or no operation within 1 minute, the oven will go back to the previous setting automatically.
2. If "PL0" is selected, the oven will work with fan only and no power.
3. During microwave cooking, "POWER" can be pressed to change the power you need. After pressing "POWER", the current power will light for 3 seconds, now you can press

number button to change the power. The oven will work with the selected power for the rest of the cooking time.

## Express Cook

1. If not already cooking, press number pads 1-6 to quickly cook from 1-6 minutes at 100% power. Press "START/+30SEC." to increase the cooking time; the maximum cooking time is 99 minutes and 99 seconds.
2. To cook for 30 seconds at 100% power press "START/+30SEC". Each press on the same button will increase cooking time by 30 seconds. The maximum cooking time is 99 minutes and 99 seconds.

**Note:** During microwave cooking and time defrost, time can be added by pressing "START/+30SEC." button.

## Weight Defrost Function

1. Press "WEIGHT DEFROST," LED will display "dEF1".



2. Press number buttons to input weight to be defrosted. The weight must be between 4 oz and 100 oz.



3. Press "START/+30SEC." to start defrosting and the cooking time remaining will be displayed.

## Time Defrost Function

1. Press "TIME DEFROST," the display will show "dEF2".



2. Press number pads to input defrosting time. The effective time range is 0:01~99:99
3. The default microwave power is power level 3. If you want to change the power level, press "POWER" once, and the display will show "PL 3", then press the number pad of the power level you wanted.
4. Press "START/+30SEC." to start defrosting. The remaining cooking time will be displayed.

## POPCORN

1. Press " POPCORN " repeatedly until the package size of your popco appears in the display, "1.75", "3.0", "3.5" will display in order.

For example, press "POPCORN" once, "1.75" appears.



2. Press "START/+30 SEC." to cook, buzzer sounds once. When cooking finished, buzzer will sound five times.

## POTATO

1. Press " POTATO " repeatedly until the number you wish appears in the display, "1", "2", "3" will display in order.

"1": 1 potato (approximate 8 oz)

"2": 2 potatoes (approximate 16 oz)

"3": 3 potatoes (approximate 24 oz)

For example, press "POTATO" once, "1" appears.



2. Press "START/+30 SEC." to cook, buzzer sounds once. When cooking is finished, a buzzer sounds five times.

## FROZEN VEGETABLE

1. Press " FROZEN VEGETABLE " repeatedly until the he appears in the display, "4.0", "8.0", "16.0" oz will display in order.

For example, press "FROZEN VEGETABLE" once, "4.0" appears.



2. Press "START/+30 SEC." to cook, buzzer sounds once. When cooking is finished, a buzzer sounds five times.

## BEVERAGE

1. Press " BEVERAGE " repeatedly until the number you wish appears in the display, "1", "2", "3" cup will display in order.

For example, press "BEVERAGE" once, "1" appears.



2. Press "START/+30 SEC." to cook, buzzer sounds once. When cooking is finish , a buzzer sounds five times.

## DINNER PLATE

1. Press " DINNER PLATE " repeatedly until the number you wish appears in the display, "9.0", "12.0", "18.0" oz will display in order.

For example, press "DINNER PLATE" once, "9.0" appears.



2. Press "START/+30 SEC." to cook, buzzer sounds once. When cooking is finish a buzzer sounds five times.

## PIZZA (Reheat)

1. Press " PIZZA " repeatedly until the weight of your pizza appears in the display, "4.0", "8.0", "14.0" oz will display in order.

For example, press "PIZZA" once, "4.0" appears.



2. Press "START/+30 SEC." to cook, buzzer sounds once. When cooking is finish , a buzzer sounds five times.

## MEMORY FUNCTION

1. Press "0" to choose memory setting 1-3. The display will show 1,2,3.
2. If the setting has been program ed, press " START/ +30 SEC." to use it. If not, continue to choose the setting. Only one or two stages can be set.
3. After finishing the setting, press "START/ +30 SEC." once to save the setting. Press " START/ +30 SEC." again, it will start cooking.

Example: to program the following setting as the second memory to cook food with 80% microwave power for 3 minutes and 20 seconds.

### The steps are as follows:

- a. In waiting state, press "0" twice, the screen displays "2".
- b. Press "TIME COOK" once, then press "3", "2", "0" in order.
- c. Press "POWER" once, "PL10" displays, then press "8" and "PL8" displays.
- d. Press "START/ +30 SEC." to save the setting. Buzzer sounds once and the LED will display "2". If you press "START/+30SEC." again, the setting will be saved as memory 2 and it will start cooking.

- e. If power is lost, the "0" setting will need to be reprogram e .
- f. If you want to run the saved setting, in waiting state, press "0" twice, screen displays "2", then press "START/+30SEC." to run.

## Multi-stage Cooking

At most, 2 stages can be set for cooking. In multi-stage cooking, if one stage is defrosting, then defrosting shall be placed at the first stage automatically.

Note: Auto cooking cannot work in the multi-stage cooking.

Example: if you want to cook with 80% microwave power for 5 minutes + 60% microwave power for 10 minutes. The cooking steps are as following:

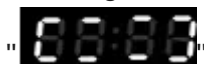
1. Press "TIME COOK" once, then press "5","0","0" to set the cooking time;
2. Press "POWER" once, then press "8" to select 80% microwave power.
3. Press "TIME COOK" once, then press "1","0","0","0" to set the cooking time;
4. Press "POWER" once, then press "6" to select 60% microwave power.
5. Press "START/ +30 SEC." to start cooking.

## INQUIRING FUNCTION

1. In microwave or multi-stage cooking state, press " CLOCK ", the display will show the clock for three seconds.
2. In the microwave or multi-stage cooking, press " POWER " to inquire microwave power level, and the current microwave power will be displayed. After three seconds, to the previous state.

## LOCK FUNCTION FOR CHILDREN

Lock: In waiting state, press " STOP/CLEAR " for 3 seconds, there will be a long "beep" denoting the entering into the children-lock state; meanwhile, the display will show



Lock Cancel: In locked state, press " STOP/C " for 3 seconds, there will be a long "beep" denoting that lock is released.

## TROUBLESHOOTING

Check your problem by using the chart below and try the solutions for each problem.

<b>TROUBLE</b>	<b>POSSIBLE CAUSE</b>	<b>POSSIBLE REMEDY</b>
<b>Oven will not start</b>	<ul style="list-style-type: none"> <li>a. Electrical cord for oven is not plugged in.</li> <li>b. Door is open.</li> <li>c. Wrong operation is set.</li> </ul>	<ul style="list-style-type: none"> <li>a. Plug into the outlet.</li> <li>b. Close the door and try again.</li> <li>c. Check instructions.</li> </ul>
<b>Arcing or sparking</b>	<ul style="list-style-type: none"> <li>a. Materials to be avoided in microwave oven were used.</li> <li>b. The oven is operated when empty.</li> <li>c. Spilled food remains in the cavity.</li> </ul>	<ul style="list-style-type: none"> <li>a. Use microwave-safe cookware only.</li> <li>b. Do not operate with oven empty.</li> <li>c. Clean cavity with wet towel.</li> </ul>
<b>Unevenly cooked foods</b>	<ul style="list-style-type: none"> <li>a. Materials to be avoided in microwave oven were used.</li> <li>b. Food is not defrosted completely.</li> <li>c. Cooking time, power level is not suit .</li> <li>d. Food is not turned or stirred.</li> </ul>	<ul style="list-style-type: none"> <li>a. Use microwave-safe cookware only.</li> <li>b. Completely defrost food.</li> <li>c. Use correct cooking time, power level.</li> <li>d. Turn or stir food.</li> </ul>
<b>Overcooked foods</b>	<p>Cooking time, power level is not suitable.</p>	<p>Use correct cooking time, power level.</p>
<b>Undercooked foods</b>	<ul style="list-style-type: none"> <li>a. Materials to be avoided in microwave oven were used.</li> <li>b. Food is not defrosted completely.</li> <li>c. Oven ventilation ports are restricted.</li> <li>d. Cooking time, power level is not suitable.</li> </ul>	<ul style="list-style-type: none"> <li>a. Use microwave-safe cookware only.</li> <li>b. Completely defrost food.</li> <li>c. Check to see that oven ventilation ports are not restricted.</li> <li>d. Use correct cooking time, power level.</li> </ul>
<b>Improper defrosting</b>	<ul style="list-style-type: none"> <li>a. Materials to be avoided in microwave oven were used.</li> <li>b. Cooking time, power level is not suitable.</li> <li>c. Food is not turned or stirred.</li> </ul>	<ul style="list-style-type: none"> <li>a. Use microwave-safe cookware only.</li> <li>b. Use correct cooking time, power level.</li> <li>c. Turn or stir food.</li> </ul>

**Warning**



This content is compiled from multiple sources and is provided for reference purposes only. It may not be complete or fully applicable to all situations. If you are unable to resolve your issue, please contact the product manufacturer or an authorized service provider for official support.

---

Document generated by [ManualsFile](#)

