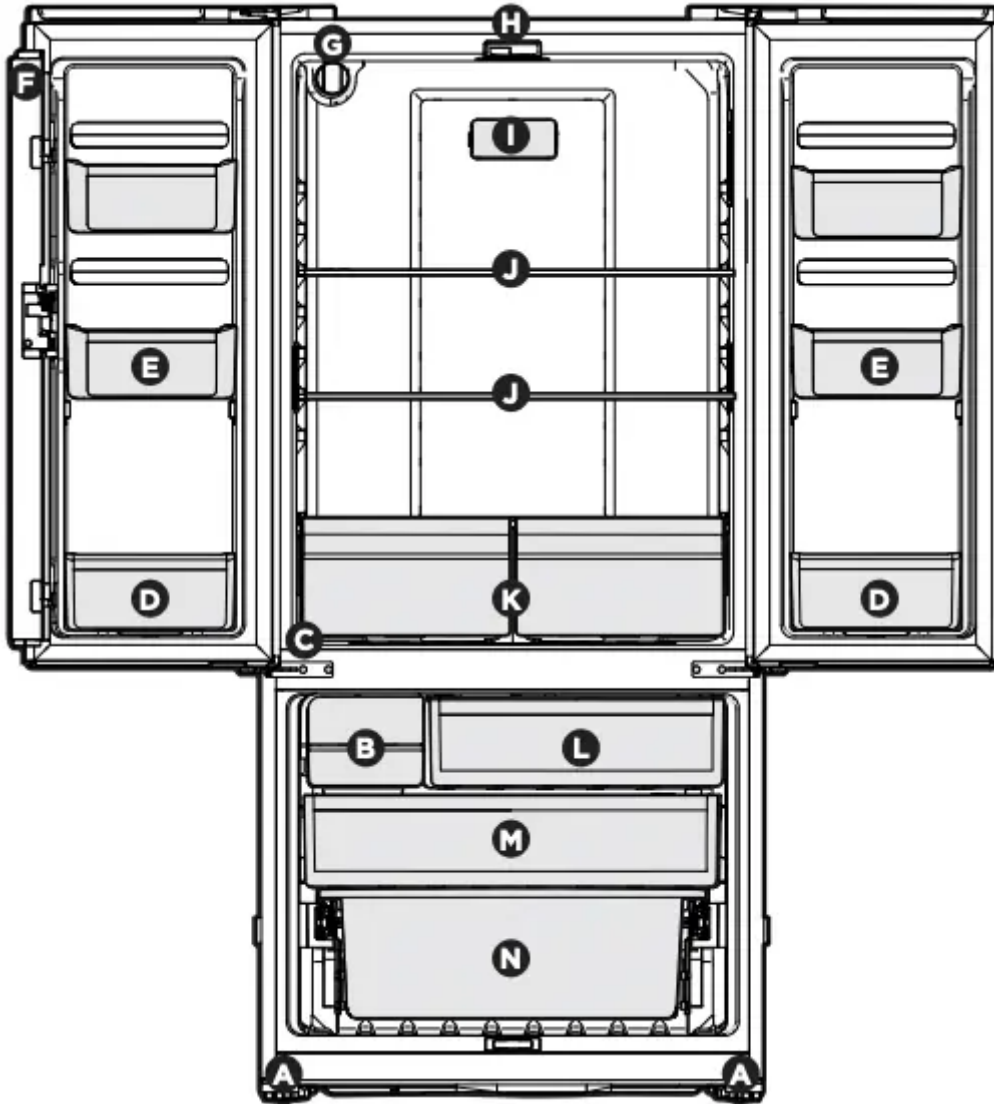


FEATURES

*Features may vary according to model



A Anti-Tip Legs

B Ice Maker

C Adjustable Hinges

D Door Bins

E Adjustable Door Bins

F Flipper Mullion

G Water Filter

H Flipper Guide

I Air Filter

J Spillsafe® Shelves

K CrispSeal™ Drawers

L Freezer Drawer

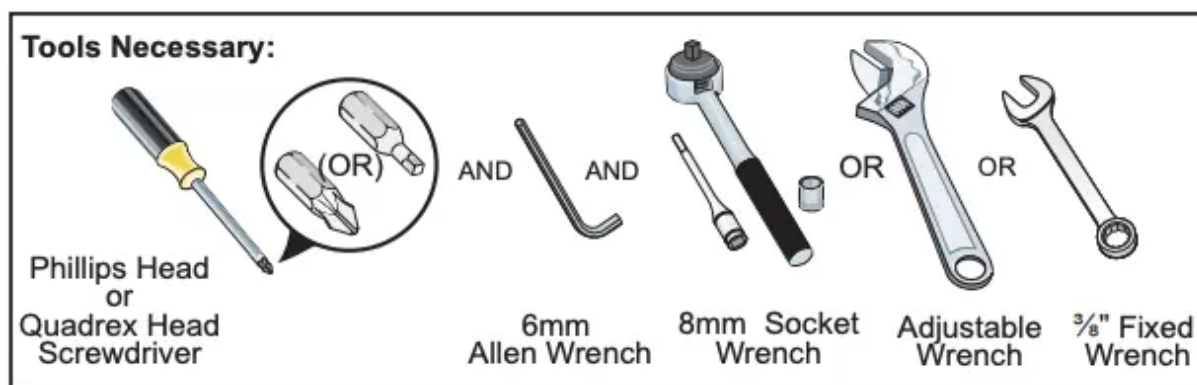
M Middle Freezer Drawer

N Freezer Basket

IMPORTANT

Accessories are available for your appliance and may be purchased at Frigidaire.com or by calling 1-800-374-4432 or from an authorized seller.

INSTALLATION



This Use & Care Manual provides general installation and operating instructions for this model. We recommend using a service or kitchen contracting professional to install the refrigerator. Use the appliance only as instructed in this Use & Care Manual. Before starting the appliance, follow these important first steps.

Location

- Choose a place that is near a grounded, non-GFCI, electrical outlet. Do Not use an extension cord or an adapter plug.
- If possible, place the appliance out of direct sunlight and away from the range, dishwasher, or other heat sources.
- The appliance must be installed on a floor that is level and strong enough to support a fully loaded appliance.
- Consider water supply availability for models equipped with an automatic ice maker.

WARNING This appliance is intended to be used in household and similar applications such as:

- staff kitchen areas in shops, offices and other working environments;

- farm houses and by clients in hotels, motels and other residential type environments;
- bed and breakfast type environments;
- catering and similar nonretail applications.

CAUTION Do Not install the appliance where the temperature will drop below 55°F (13°C) or rise above 110°F (43°C). The compressor will not be able to maintain proper temperatures inside the appliance.

WARNING

Installation

Allow the following clearances for ease of installation, proper air circulation, and plumbing and electrical connections:

- Sides & Top $\frac{3}{8}$ inch (9.5 mm)
- Back 1 inch (25.4 mm)

NOTE If your appliance is placed with the door hinge side against a wall, you may have to allow additional space for the handle so the door can be opened wider.

Door opening

The appliance should be positioned to allow easy access to a counter when removing food. For best use of refrigerator drawers and freezer baskets, the appliance should be in a position where both can be fully opened.

Cabinet Leveling & Door Alignment (if necessary)

Guidelines for final positioning of appliance:

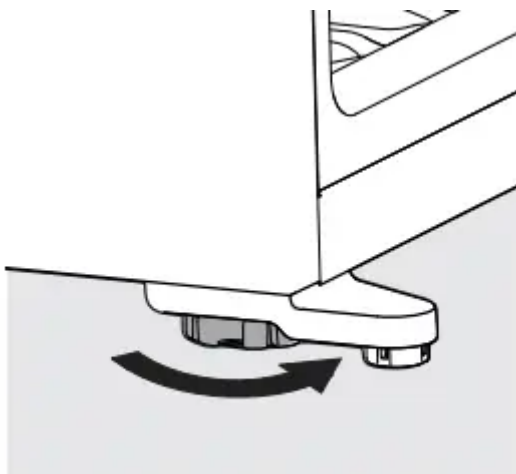
- All 4 corners of the cabinet must rest firmly on the floor.
- The front should be slightly elevated to ensure that doors close and seal properly.
- Doors should align with each other and be level.

Most of these conditions can be met by raising or lowering the adjustable anti-tip legs. To level the cabinet using the anti-tip legs:

1. Slightly open freezer drawer.
2. Lower anti-tip legs until they are both touching the floor. Use a pair of pliers to adjust.

To raise unit: turn leg clockwise.

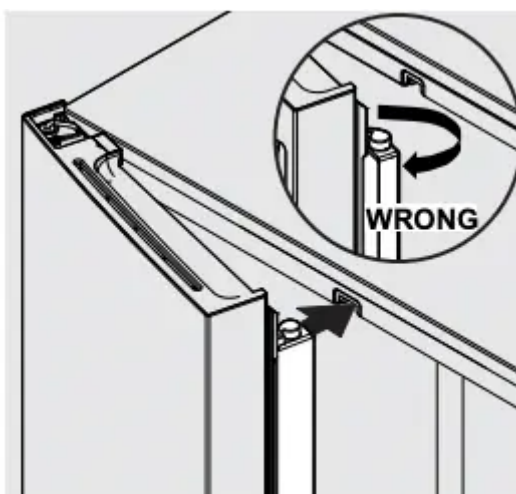
To lower unit: turn leg counterclockwise.



3. Ensure both doors are bind-free with their seals touching the cabinet on all four sides and the cabinet is stable.

Flipper Mullion

Adjust Flipper Mullion for proper connection with the mullion guide by ensuring the flipper mullion is folded and perpendicular to the fresh food door. If the mullion guide is not in the correct position, it could prevent the door from closing completely.



DOOR REMOVAL

Getting through narrow spaces

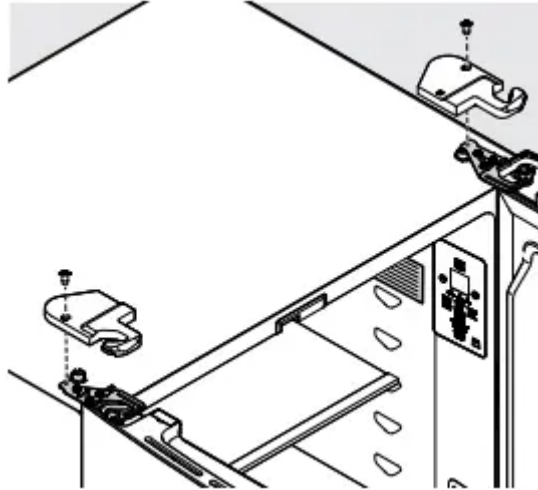
If refrigerator will not fit through an entrance area, doors can be removed. Check first by measuring the entrance.

To prepare for removing the doors:

1. Make sure the electrical power cord is unplugged from the wall outlet.
2. Remove any food from the door shelves and close the doors.

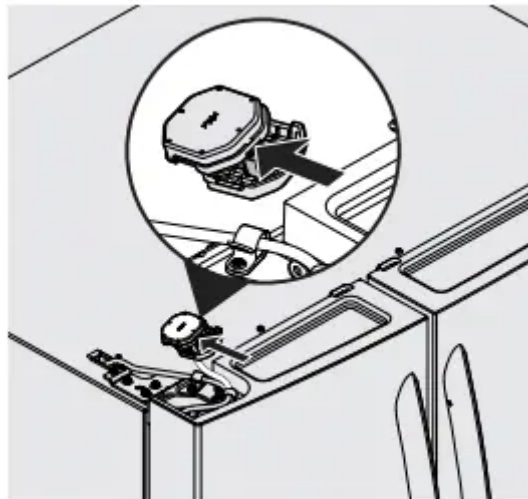
To remove the refrigerator doors:

1. Open doors to 90°.



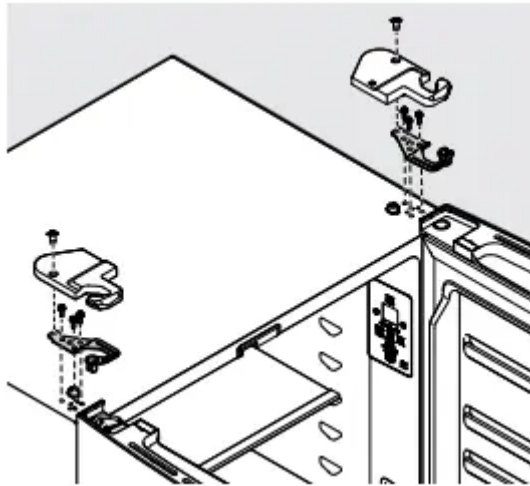
2. Trace lightly around the door's top hinges with a pencil. This makes reinstallation easier.

3. Disconnect electrical harness running from door to hinge cover.

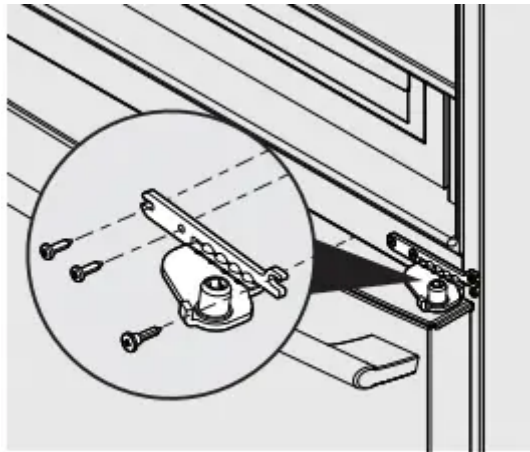


CAUTION Be sure doors are set aside in a secure position where they cannot fall and cause personal injury, or damage to the doors or handles.

4. Remove three 8 mm bolts from both top hinges. Lift doors up off lower hinges and carefully set aside..



5. To gain access to lower hinge, drawer will need to be extended. Unscrew the 3 lower hinge screws and slide the hinge inward.



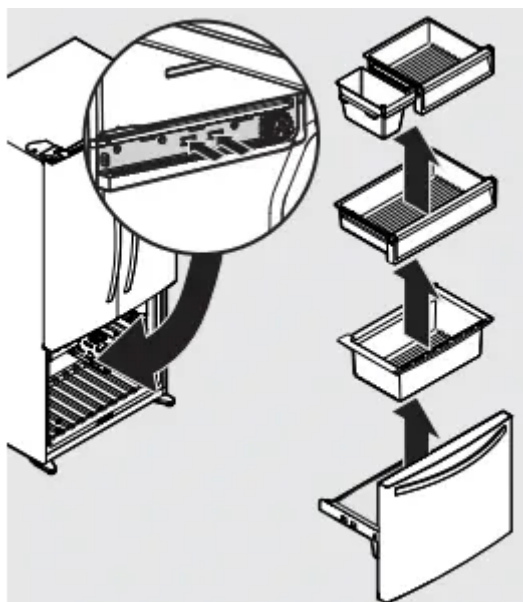
Lower Hinge Removal

6. To reinstall doors, reverse procedure. Once both doors are in place, ensure they are aligned with each other and level (See INSTALLATION for more details), and replace the top hinge cover.

Removing Freezer Drawer

CAUTION Drawer is heavy. Use caution when lifting.

- 1. Open drawer and fully extend.
- 2. Remove the freezer drawer.
- 3. Remove the freezer basket.
- 4. Inside the cabinet, press the 2 tabs on both sides to release the sliders.
- 5. Remove the drawer with brackets and sliders.



Reinstalling Freezer Drawer

- 1. Place drawer with brackets and sliders inside the cabinet and click into place.
- 2. Replace the basket

NOTE For additional instructions, see STORAGE FEATURES.

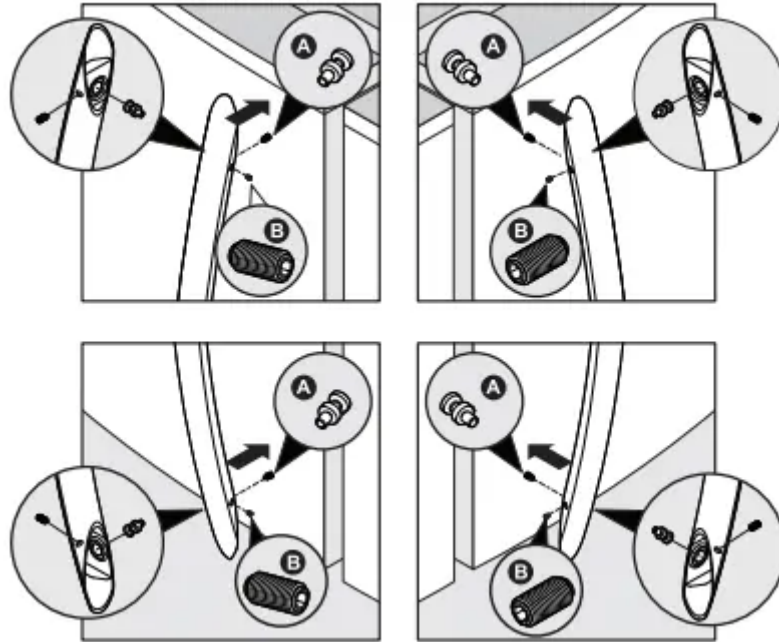
DOOR HANDLE INSTALLATION

CAUTION Wear gloves and safety goggles. Use extreme CAUTION when installing these handles.

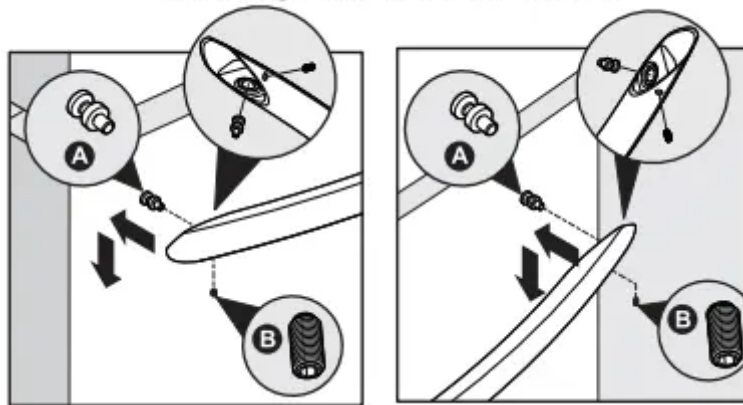
Door Handle Mounting Instructions

- 1. Remove handles from carton and any other protective packaging.
- 2. Position fresh food handle end caps over upper and lower preinstalled shoulder bolts (A) that are fastened into door, ensuring the holes for the set screws are facing toward the opposite door.
- 3. While holding handle firmly against door, fasten upper and lower Allen set screws (B) with supplied Allen wrench.
- 4. Repeat steps 2 and 3 to install opposite handle. Ensure the holes for the set screws are facing toward the first door.
- 5. Position freezer drawer handle end caps over left and right pre-installed shoulder bolts (A) that are fastened to the door, ensuring the holes for the set screws are facing down.
- 6. While holding handle firmly against door, loosely tighten right Allen set screw (B) with supplied Allen wrench until there is no gap between handle and door.
- 7. Still holding the handle firmly to the door, firmly tighten left Allen set screw (B) with supplied Allen wrench. 8. Return to the right Allen set screw (B) and firmly tighten with supplied Allen wrench.

Mounting Refrigerator Handles



Mounting Freezer Drawer Handle



NOTE When tightening the Allen set screws, it is imperative to apply force to the longer arm of the Allen wrench supplied in the handle packaging.

NOTE Tighten all set screws so the screw is below the surface of the handle. Draw the handles tight to doors/drawer with no gaps. Opening the opposite door while tightening the Allen screw makes installation easier. The door handle may loosen over time or if it was installed improperly. If this happens, tighten the set screws on the handles.

WATER SUPPLY CONNECTION

WARNING To avoid electric shock, which can cause death or severe personal injury, disconnect the refrigerator from electrical power before connecting a water supply line to the refrigerator.

CAUTION To Avoid Property Damage:

- Use Copper or Stainless Steel braided tubing for the water supply line. Do not use water supply tubing made of ¼ in. plastic. Plastic tubing greatly increases the potential for water

leaks, and the manufacturer will not be responsible for any damage if you use plastic tubing for the supply line.

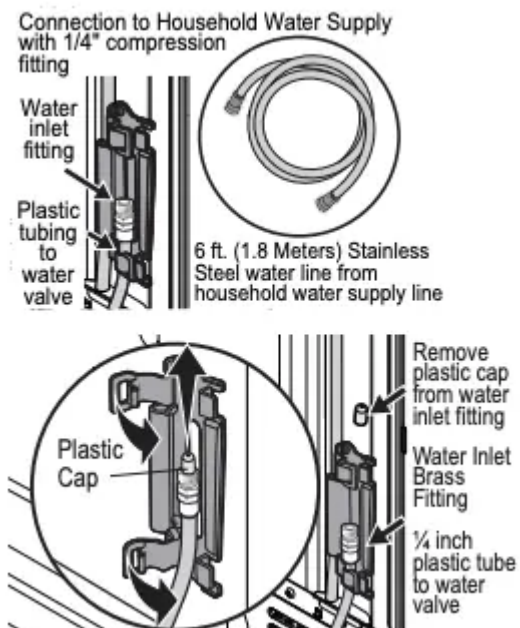
- DO NOT install water supply tubing in areas where temperatures fall below freezing.
- Chemicals from a malfunctioning water softener can damage the ice maker. If you use a water softening system, ensure the softener is maintained and working properly

IMPORTANT Ensure the water supply line connections comply with all local plumbing codes.

To install the water supply line, the following are needed:

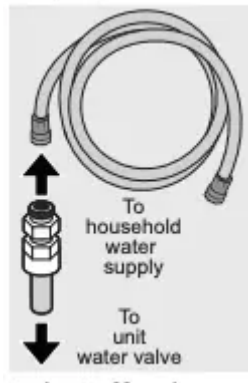
- Basic Tools: adjustable wrench, flathead screwdriver, and Phillips™ screwdriver
- Access to a household cold water line with water pressure between 30 and 100 psi.
- A water supply line made of ¼ in. (6.4 mm) OD, copper or stainless steel tubing. To determine the length of tubing needed, measure the distance from the ice maker inlet valve at the back of the refrigerator to the cold water pipe. Then add approximately 6 ft. (1.8 m.), so you can move the refrigerator out for cleaning.
- A shutoff valve to connect the water supply line to the household water system. DO NOT use a self-piercing type shutoff valve.
- Do not reuse compression fitting or use thread seal tape.
- A compression nut and ferrule (sleeve) for connecting a copper water supply line to the ice maker inlet valve.

NOTE Check with local building authority for recommendations on water lines and associated materials prior to installing refrigerator. Depending on local/state building codes, Frigidaire recommends you use Smart Choice® water line kit 5304437642 with a 6 ft. (1.8 m.) Stainless Steel Water Line on homes with existing valves.

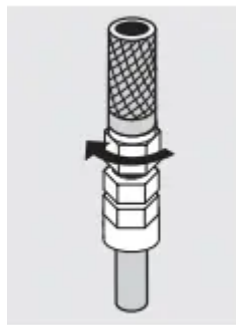


To Connect Water Tube to Household Water Supply

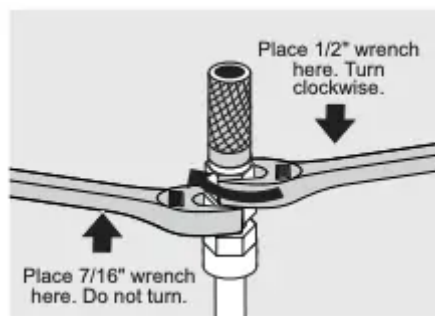
- 1. Disconnect refrigerator from electrical power source.
- 2. Place end of water supply line into sink or bucket. Turn ON water supply and flush supply line until water is clear. Turn OFF water supply at shutoff valve.



- 3. Open the locking clips and grab water line coming from the refrigerator. Remove plastic cap from water inlet fitting and discard cap.



- 4. If using (recommended) stainless steel braided tubing - the nut and ferrule are already assembled on the tubing. Slide compression nut onto water inlet fitting and finger tighten.
- 5. Using $\frac{1}{2}$ " and $\frac{7}{16}$ " wrenches (one to hold the household water line nut and the other to hold the water inlet fitting nut), tighten a half turn with wrench. DO NOT overtighten.




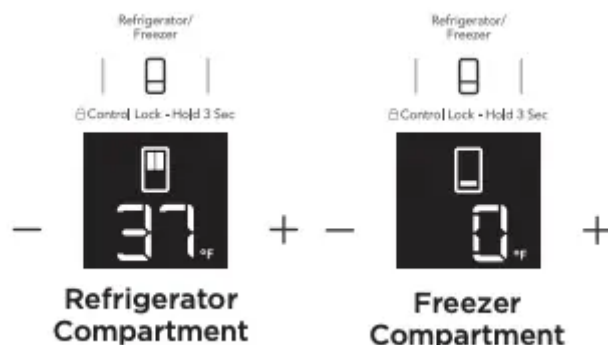
- 6. Replace the connected tubes into the clips and lock clips back in place to keep the tubing in the right position.
- 7. Turn ON water supply at shutoff valve and tighten any connections that leak.
- 8. Reconnect refrigerator to electrical power source.


- 9. Ensure ice maker is turned ON.
- 10. Purge air from Ice and Water Dispenser System by operating the water dispenser for 3-4 minutes. This will require dispensing several glasses of water.

CONTROLS AND SETTINGS



1 Temperature Control Choose the compartment by pressing  to change the temperature in that compartment. Adjust the temperature with the — /+ keys.



2 Control Lock Press to lock the appliance control display. When  locked, other key functions are disabled. This prevents accidentally changing settings when cleaning. Lock the internal appliance control display for child safety and cleaning.

3 Reset Air Filter will illuminate when it is time to replace the air filter. See the FILTER REPLACEMENT section for instructions on how to replace the air filter. After changing the air filter, reset the alert by pressing and holding Reset Air Filter for 3 seconds.

4 Prior to grocery shopping, we recommend you activate **Freeze Boost** to freeze your food faster. It will remain active for up to 24 hours before automatically deactivating or you manually exit. Press Freeze Boost to turn the function off. This will reset the freezer to the previous temperature setting.

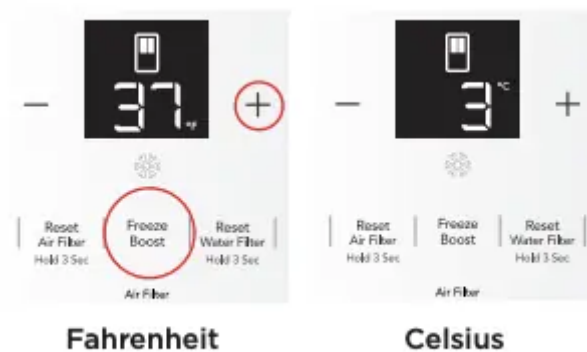
5 Reset Water Filter will illuminate when it is time to replace the water filter. See the FILTER REPLACEMENT section for instructions on how to replace the water filter. After changing the water filter, reset the alert by pressing and holding Reset Water Filter for 3 seconds.

6 Air Filter automatically lights up when it's time to change the air filter, typically after 6 months.

7 Water Filter automatically lights up when it's time to change the water filter, typically after 6 months.

8 Ice Maker Press and hold for 3 seconds to turn the ice maker on/ off. When the indicator is lit, the ice maker is on. When the indicator is not lit, the ice maker is OFF and will stop making ice. While off, ice dispensing can continue as long as there is ice in the bucket. When ice maker is off and ice is dispensing, the indicator will blink.

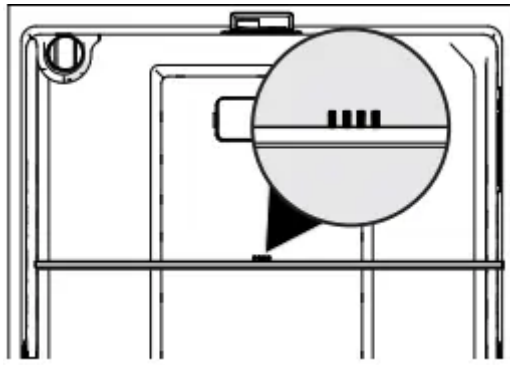
9 °F/°C toggles the temperature mode between Fahrenheit and Celsius. Press and hold Freeze Boost and + for 5 seconds. A tone will confirm the change.



NOTE The recommended settings for a product installed in a kitchen is 37°F for the fresh food compartment and 0°F for the freezer.

IMPORTANT If food is freezing in the fresh food compartment, increase the temperature setting 1 or 2 degrees.

IMPORTANT Food placed within 1 in. in front of the air ports may cause food to freeze.



NOTE Unit should stabilize temperatures within 24 hours of installation.

Alarms

High Temperature



If the temperature increases, the HIGH TEMP alarm will sound every 10 seconds until you press any key to mute it. The display will blink HI in the corresponding compartment until the temperature reaches an acceptable level.

Door Alarm

When a door is left open for 5 minutes, an alarm will sound. The alarm is turned off by closing the door.

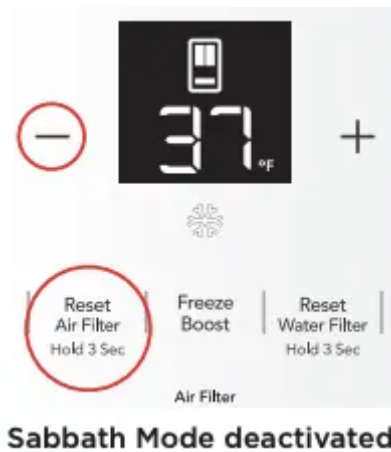
Sabbath Mode

The Sabbath Mode is a feature that disables portions of the refrigerator and its controls in accordance with observance of the weekly Sabbath and religious holidays within the Orthodox Jewish community.

In the Sabbath Mode, the High Temp alarm is active for health reasons. For example, if the door is left ajar the High Temp alarm is activated. The refrigerator will function normally once the door is closed, without any violation of the Sabbath/Holidays. The High Temp alarm is permitted when cabinet temperature is outside the safe zone for 20 minutes. The alarm silences itself after 10 minutes while the High Temp icon stays lit until the Sabbath mode is exited.



To activate Sabbath Mode, press and hold — and Reset Air Filter simultaneously for 5 seconds. Sb will display, and no audible sounds will occur until you exit Sabbath Mode. To exit Sabbath Mode, press and hold — and Reset Air Filter simultaneously for 5 seconds. An audible tone will sound, and the refrigerator will go back to the state it was in prior to activating Sabbath Mode.



NOTE While in Sabbath Mode, neither the lights nor the appliance control display will work until Sabbath Mode is deactivated. The refrigerator stays in Sabbath Mode after power failure recovery. Deactivated it with the buttons on the appliance control display.

NOTE Although the Sabbath Mode has been initiated, the ice maker will complete the cycle it had already started. The ice cube compartment will remain cold and new ice cubes can be made with standard trays.

ICE MAKER

IMPORTANT On occasion, unusually small ice cubes may be noticed in the bucket. This could occur in normal operation of the ice maker. If happening frequently, it may be an indication of low water pressure or the water filter needs to be replaced. As the water filter nears the end of its useful life and becomes clogged with particles, less water is delivered to the ice maker during each cycle. Remember, if it's been six months or longer since last changing the water filter, replace it with a new one. Poor quality household water may require the filter to be changed more frequently.

CAUTION If the water supply to the refrigerator is softened, be sure the softener is properly maintained. Chemicals from a water softener can damage the ice maker.

Ice maker tips

- If refrigerator is not connected to a water supply or the water supply is turned off, turn off the ice maker as described in the previous section.
- The following sounds are normal when the ice maker is operating:
 - Motor running
 - Ice dropping into ice bin
 - Water valve opening or closing
 - Running water
- If a large quantity of ice is needed at one time, it is best to get cubes directly from the ice bin.
- Ice cubes stored too long may develop an odd flavor. Empty the ice bin as explained in “Cleaning the ice maker”.
- It is normal to have a small quantity of little pieces along with the whole cubes.
- It is normal for ice to fill to the top of the ice bin.

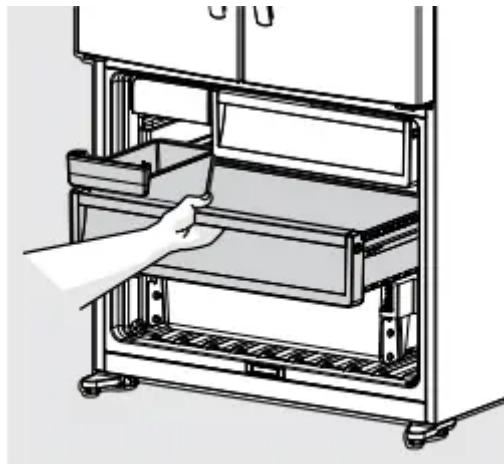
Cleaning the ice maker

Clean the ice maker and ice bin at regular intervals, especially prior to vacation or moving.

- 1. Turn off the ice maker.
- 2. Remove the ice bin by lifting upward and pulling straight out.
- 3. Empty and carefully clean the ice bin with mild detergent. Do not use harsh or abrasive cleaners. Do not place in dishwasher. Rinse with clear water.
- 4. Allow the ice bin to dry completely before replacing in the freezer.
- 5. Replace the ice bin. Turn the ice maker on.

Remove and empty the ice bin if:

An extended power failure (one hour or longer) causes ice cubes in the ice bin to melt and refreeze together after power is restored.



Removing Ice Bin

Remove the ice bin by (1) lifting upward and (2) pulling straight out, then shake to loosen the cubes or clean as explained above.

CAUTION NEVER use an ice pick or similar sharp instrument to break up the ice. This could damage the ice bin. To loosen stuck ice, use warm water. Before replacing the ice bin, make sure it is completely dry

STORAGE FEATURES

CAUTION To avoid personal injury or property damage, handle tempered glass shelves carefully. Shelves may break suddenly if nicked, scratched, or exposed to sudden temperature change. Allow the glass shelves to stabilize to room temperature before cleaning. Do not wash in dishwasher.

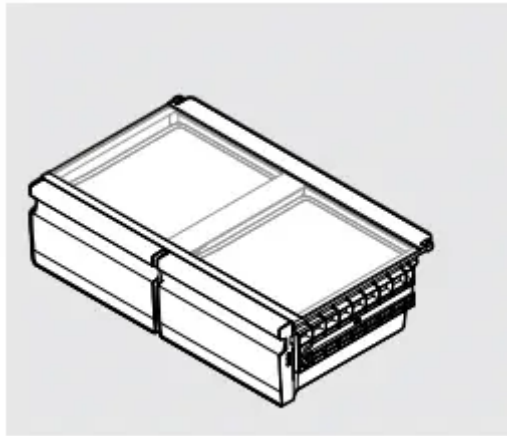
Shelf positions can easily be adjusted in the fresh food compartments as needed. The shelves have mounting brackets that attach to slotted supports at the rear of each compartment.

Change the Position of a Shelf

- 1. Remove all food from shelf.
- 2. Lift the front edge up and pull the shelf out.
- 3. Replace by inserting the mounting bracket hooks into the desired support slots.
- 4. Lower the shelf and lock into position.

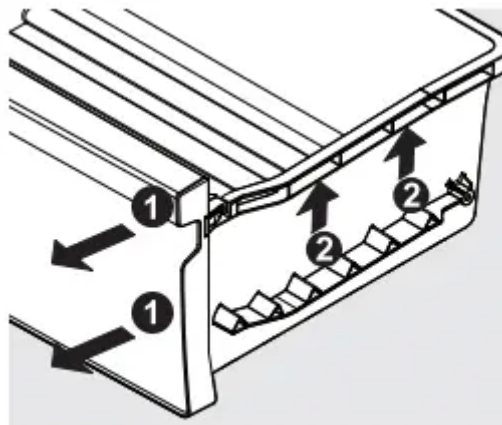
CrispSeal Drawer

The refrigerator includes a crisper designed for storing fruits, vegetables, and other fresh produce.



To remove the CrispSeal drawer for cleaning:

- 1. Pull the drawer out until it stops.
- 2. Lift the front slightly and remove the drawer.



Removing CrispSeal Drawer

Doors

Storage bins

The doors to the fresh food compartment use a system of modular storage bins. All of these bins are removable for easy cleaning. Adjust bins as needed. Door bins are ideal for storing jars, bottles, cans, and large drink containers. They also enable quick selection of frequently used items.

Adjustable door bins

Adjustable door bins can be moved to suit individual needs.

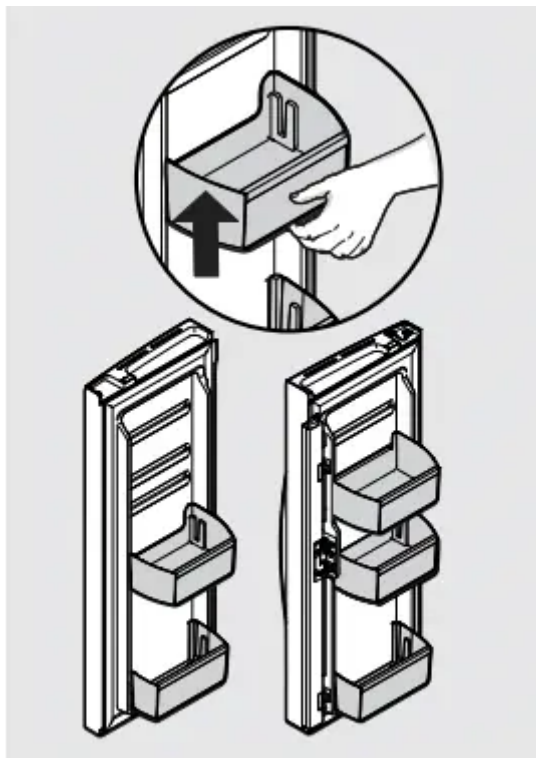
To move door bin side-to-side:

- 1. Tilt bin up so the back of the bin is off the door but the hook is still engaged.
- 2. Slide bin along rail to desired position.
- 3. Lower bin back into place.



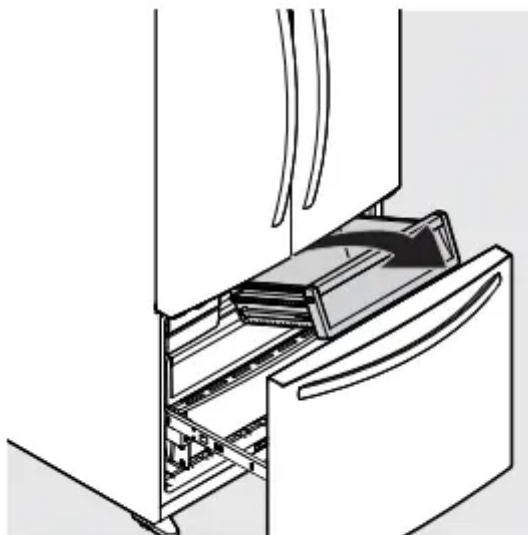
To move door bin up or down:

- 1. Lift bin up disengaging the hook.
- 2. Move bin to desired rail location.
- 3. Push bin hook into rail engaging the hook.



Adjustable Door Bins

Freezer Features



Freezer Drawer

To remove upper freezer drawer:

- 1. Open freezer compartment completely.

- 2. Lift up and out to remove upper freezer drawer. Reverse the steps to reinstall drawer.

IMPORTANT There are wheels on the bottom of the drawer. Make sure all wheels are aligned on their respective tracks for proper function. If drawer is not aligned properly, it will cause problems with the door operation.

NOTE If basket is not resting on stabilizer bar retainer clips, the drawer will not close properly.

To remove freezer basket:

- 1. Open freezer compartment completely.
- 2. Lift the basket up and remove.

Reverse the steps to reinstall freezer basket.

STORING FOOD AND SAVING ENERGY

Ideas for storing foods

Fresh food storage

- Keep the fresh food compartment between 34°F and 44°F with an optimum temperature of 37°F.
- Avoid overcrowding the refrigerator shelves, which reduces air circulation and causes uneven cooling.
- Avoid placing food in front of air ports. (See CONTROLS AND SETTINGS for illustration.)

Fruits and vegetables

- Store fruits and vegetables in crisper drawers, where trapped moisture helps preserve food quality for longer time periods.
- Do not wash items until ready to use. Remove excess water before placing inside unit.
- Wrap any items that have strong odors or high moisture content.

Meat

Wrap raw meat and poultry separately and securely to prevent leaks and contamination of other foods or surfaces.

Frozen food storage

- Keep the freezer compartment at 0°F or lower.
- A freezer operates most efficiently when it is at least $\frac{2}{3}$ full.

Packaging foods for freezing

- To minimize food dehydration and quality deterioration, use aluminum foil, freezer wrap, freezer bags, or airtight containers. Force as much air out of the packages as possible and

seal them tightly. Trapped air can cause food to dry out, change color, and develop an off-flavor (freezer burn).

- Wrap fresh meats and poultry with suitable freezer wrap prior to freezing.
- Do not refreeze meat that has completely thawed.

Loading the freezer

- Prior to grocery shopping, we recommend you activate Freeze Boost to freeze your food faster. It will remain active for up to 24 hours.
- Activating Freeze Boost will help the freezer more efficiently maintain the selected temperature after placing new purchases with pre-existing frozen foods.
- Avoid adding too much warm food to the freezer at one time. This overloads the freezer, slows the rate of freezing, and can raise the temperature of frozen foods.
- Leave a space between packages, so cold air can circulate freely, allowing food to freeze as quickly as possible.

Ideas for saving energy

Installation

- Locate the refrigerator in the coolest part of the room, out of direct sunlight, and away from heating ducts or registers.
- Do not place the refrigerator next to heat-producing appliances such as a range, oven, or dishwasher. If this is not possible, a section of cabinetry or an added layer of insulation between the two appliances will help the refrigerator operate more efficiently.
- Level the refrigerator so that the doors close tightly.

Temperature settings

Refer to the CONTROLS AND SETTINGS for procedures on temperature settings.

Food storage

- Avoid overcrowding the refrigerator or blocking cold air vents. Doing so causes the refrigerator to run longer and use more energy.
- Cover foods and wipe containers dry before placing them in the refrigerator. This cuts down on moisture build-up inside the unit.
- Organize the refrigerator to reduce door openings. Remove as many items as needed at one time and close the door as soon as possible.
- Do not place a hot container directly on a cold shelf. Remember, such an extreme temperature change may damage the glass.

NORMAL OPERATING SOUNDS

Understanding the sounds coming from the refrigerator

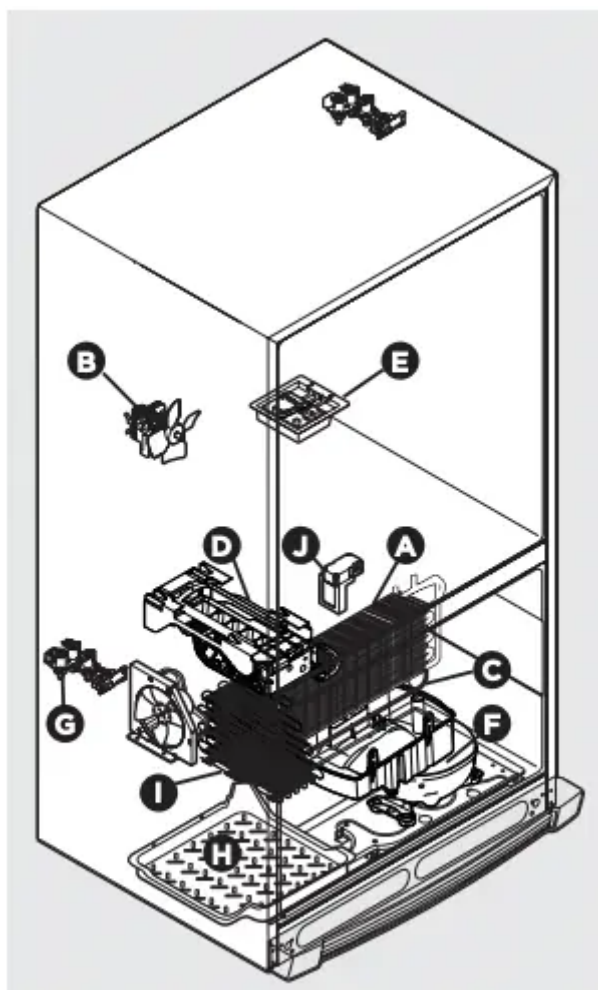
High-efficiency refrigerators may introduce unfamiliar sounds. These sounds normally indicate the refrigerator is operating correctly. Some surfaces on floors, walls, and kitchen cabinets may make these sounds more noticeable.

The following is a list of major components in the refrigerator and the sounds they can cause:

- A Evaporator Refrigerant through the evaporator may create a boiling or gurgling sound.
- B Evaporator fan Sounds of air being forced through the refrigerator by the evaporator fan may be heard.
- C Defrost heaters During defrost cycles, water dripping onto the defrost heaters may cause a hissing or sizzling sound. After defrosting, a popping sound may occur.
- D Automatic ice maker When ice has been produced, sounds of ice cubes falling into the ice bin may be heard. The ice maker fan, water valve activation, and refrigerant gas fluid may create sounds from its operation.
- E Electronic control & automatic defrost control These parts can produce a snapping or clicking sound when turning the cooling system on and off.
- F Compressor Modern, highefficiency compressors run much faster than older models. The compressor may have a highpitched hum or pulsating sound.
- G Water valves Make a buzzing sound each time they open to fill the ice maker.
- H Drain pan (not removable) Sounds of water dripping into the drain pan during the defrost cycle may be heard.
- I Condenser May create minimal sounds from forced air.
- J Motorized damper May produce a light humming during operation.

NOTE Energy efficient foam in the refrigerator is not a sound insulator.

NOTE During automatic defrost cycle, a red glow in the back wall vents of the freezer compartment is normal.



Features vary by model

FILTER REPLACEMENT

More about the Advanced Water Filter

Do not use with water that is microbiologically unsafe or of unknown quality without adequate disinfection before or after the system. Systems certified for cyst reduction may be used on disinfected waters that may contain filterable cysts.

Test & certification results:

- Rated Capacity - 125 gallons/473 liters for PureSource Ultra IITM ice and water filter
- Rated service flow - .65 gallons per minute
- Operating Temp: Min. 33°F, Max. 100°F
- Maximum Rated Pressure - 100 pounds per square inch
- Recommended Minimum Operating Pressure: 30 pounds per square inch

To replace the PureSource Ultra IITM water filter:

It is not necessary to turn the water supply off to change the filter. Be ready to wipe up any small amounts of water released during the filter replacement.

1. Turn off Ice Maker on the appliance control display.
2. Remove the old filter by rotating it counterclockwise (to the left) 90 degrees to release it.
3. Slide the old filter cartridge straight out of the housing and discard it.
4. Unpackage the new filter cartridge. Slide it into the filter housing as far as it will go with the grip end horizontal.
5. Push lightly inward on the filter while rotating it clockwise (to the right). The filter will then pull itself inward as it is rotated. Rotate the filter 90 degrees until it stops and the grip end is vertical. A very light click may be heard as the filter locks into place.
6. Press and hold the Reset Water Filter button on the appliance control display for 3 seconds. When the indicator is no longer illuminated, the water filter status has been reset.
7. Turn on Ice Maker on the appliance control display.
8. In order for the ice maker to work properly, clear air from the water filter tubing by filling the ice bucket completely twice. Discard the ice produced.

CARE AND CLEANING

Care & Cleaning Tips

Keeping the refrigerator clean maintains its appearance and prevents odor build-up. Wipe up any spills immediately and clean the freezer and fresh food compartments at least twice a year.

NOTE Do not use abrasive cleaners such as window sprays, scouring cleansers, flammable fluids, cleaning waxes, concentrated detergents, bleaches, or cleansers containing petroleum products on plastic parts, interior doors, gaskets, or cabinet liners. Do not use scouring pads or other abrasive cleaning materials.

- Never use metallic scouring pads, brushes, abrasive cleaners, or strong alkaline solutions on any surface.
- Never use CHLORIDE or cleaners with bleach to clean stainless steel.
- Do not wash any removable parts in a dishwasher.

NOTE When setting temperature controls to turn off cooling, power to lights and other electrical components will continue until the power cord is unplugged from the wall outlet.

- Always unplug the electrical power cord from the wall outlet before cleaning.
- Remove adhesive labels by hand. Do not use razor blades or other sharp instruments which can scratch the appliance surface.
- Do not remove the serial plate. Removal of the serial plate voids the warranty.

- Before moving refrigerator, raise the anti-tip brackets so the rollers will work correctly. This will prevent the floor from being damaged.

Refer to the guide on the next page for details on caring and cleaning specific areas of refrigerator.

CAUTION

- Pull the refrigerator straight out to move it. Shifting it from side to side may damage flooring. Be careful not to move the refrigerator beyond the plumbing connections.
- Damp objects stick to cold metal surfaces. Do not touch refrigerated surfaces with wet or damp hands.

IMPORTANT When storing or moving refrigerator in freezing temperatures, be sure to completely drain the water supply system. Failure to do so could result in water leaks when the refrigerator is put back into service. Contact a service representative to perform this operation.

Vacation and moving tips

Occasion Tips

Short Vacations

- Leave the refrigerator operating during vacations of 3 weeks or less.
- Use all perishable items from refrigerator compartment.
- Turn the automatic ice maker off and empty the ice bucket, even if only away a few days.

Long Vacations

- Remove all food and ice if leaving for 1 month or more.
- Turn the cooling system off (see “Controls” section for location of On/ Off button) and disconnect power cord.
- Turn the water supply valve to the closed position.
- Clean the interior thoroughly.
- Leave both doors open to prevent odors and mold build-up. Block the doors open if necessary.

Moving

- Unplug the unit.
- Remove all food and ice.
- We recommend If using a handcart, load from the side.
- Adjust rollers all the way up to protect them during sliding or moving.
- Pad the cabinet to avoid scratching the surface.

Care & Cleaning Tips

Interior & Door Liners

What To Use

- Soap and water
- Baking soda and water

Tips and Precautions

- Use two tablespoons of baking soda in one quart of warm water. Be sure to wring excess water out of sponge or cloth before cleaning around controls, light bulb or any electrical part.

Door Gaskets

What To Use

- Soap and water

Tips and Precautions

- Wipe gaskets with a clean soft cloth.

Drawers & Bins

What To Use

- Soap and water

Tips and Precautions

- Use a soft cloth to clean drawer runners and tracks.

Glass Shelves

What To Use

- Soap and water
- Glass cleaner
- Mild liquid sprays

Tips and Precautions

- Allow glass to warm to room temperature before immersing in warm water.

Exterior & Handles

What To Use

- Soap and water
- Non Abrasive Glass Cleaner

Tips and Precautions

- Do not use commercial household cleaners containing ammonia, bleach or alcohol to clean handles. Use a soft cloth to clean smooth handles or exterior. DO NOT use a dry cloth to clean smooth doors.

TROUBLESHOOTING

Let us help you troubleshoot your concern! This section will help you with common issues. If you need us, visit our website, chat with an agent, or call us. We may be able to help you avoid a service visit. If you do need service, we can get that started for you!

Automatic Ice Maker

Ice maker is not making any ice.

Ice maker is turned off.

- Turn on ice maker on the appliance control display.

Refrigerator is not connected to water line or water valve is not open.

- Connect the unit to the household water supply and ensure the water valve is open.

The water supply line is kinked.

- Ensure that the supply line does not kink when the refrigerator is pushed into place against the wall.

The water filter is not seated properly.

- Remove and reinstall the water filter. Be sure to seat it fully into the locked position.

Ice maker is not making enough ice

Ice maker is producing less ice than expected.

- The ice maker will produce approximately 2 to 2.5 pounds of ice every 24 hours depending on usage conditions

The water supply line is kinked.

- Ensure that the supply line does not kink when the refrigerator is pushed into place against the wall.

Water pressure is extremely low. Cut-off and cut-on pressures are too low (well systems only).

- Have someone turn up the cut-off and cut-on pressure on the water pump system (well systems only).

Reverse osmosis system is in regenerative phase.

- It is normal for a reverse osmosis system to be below 20 psi during the regenerative phase.

Ice cubes are freezing together.

Ice cubes are not being used frequently enough or interruption of power for prolonged time.

- Remove ice container and discard ice. The ice maker will produce fresh supply. Ice should be used at least twice weekly to keep the cubes separated.

Ice cubes are hollow (shells of ice with water inside). The hollow cubes break open in the bin and leak their water onto existing ice, which causes it to freeze together.

- This generally occurs when the ice maker does not get enough water. This is usually the result of a clogged water filter or restricted water supply. Replace the water filter and if the condition still occurs, check to see if the water valve is not turned on all the way or if there is a kinked water supply line.

Opening/Closing Of Doors/Drawers

Door(s) will not close.

Door was closed too hard, causing other door to open slightly.

- Close both doors gently.

Refrigerator is not level. It rocks on the floor when moved slightly.

- Ensure floor is level and solid, and can adequately support the refrigerator. Contact a carpenter to correct a sagging or sloping floor.

Refrigerator is touching a wall or cabinet.

- Ensure floor is level and solid, and can adequately support the refrigerator. Contact a carpenter to correct a sagging or sloping floor.

Food/packaging is obstructing the door from closing.

- Make sure there is no food/ packaging blocking the doorway.

Flipper mullion on left fresh food door is not in the correct position.

- Ensure the flipper mullion is in the correct position to allow the door to close. (See "Flipper Mullion" in INSTALLATION.)

Drawers are difficult to move.

Food is touching shelf on top of drawer.

- Remove top layer of items in drawer.

Track that drawers slide on is dirty.

- Ensure drawer is properly installed on track.
- Clean drawer, rollers, and track. See CARE & CLEANING.

Running of Refrigerator

Compressor does not run.

Refrigerator is in defrost cycle.

- This is normal for a fully automatic defrost refrigerator. The defrost cycle occurs periodically, lasting about 30 minutes.

Plug at electrical outlet is disconnected.

- Ensure plug is tightly pushed into outlet.

House fuse blown or tripped circuit breaker.

- Check/replace fuse with a 15 amp time-delay fuse. Reset circuit breaker.

Power outage.

- Check house lights. Call local electric company.

Refrigerator seems to run too much or too long.

The variable speed compressor is designed to run 100% of the time except during the defrost cycle. At times it will run faster, such as after a defrost cycle

- It is normal for the compressor to run continuously except during defrost mode

Digital Temperature Setting Display

Digital temperature displays an error.

Electronic control system has detected a performance problem.

- Contact Electrolux Customer Care for assistance with any errors or codes flashing in the display by calling 1-800-374-4432.

Water/Moisture/Frost Inside Refrigerator

Moisture collects on inside of refrigerator walls.

Weather is hot and humid.

- The rate of frost buildup and internal sweating increases.

Flipper mullion

- Adjust flipper mullion. (See “Flipper Mullion” in INSTALLATION.)

Water collects on bottom side of drawer cover.

Vegetables contain and give off moisture.

- It is not unusual to have moisture on the bottom side of the cover.
- Both crispers contain an automatic humidity control, which should adjust automatically to the varying levels of moisture inside the drawer without creating additional condensation or drying out the air inside the crisper drawer, works with various types of produce. If excess moisture is noticed, check to verify humidity membrane is not damaged and replace as necessary.

Water collects in bottom of drawer.

Washed vegetables and fruit drain while in the drawer.

- Dry items before putting them in the drawer. Water collecting in bottom of drawer is normal

Water/Moisture/Frost Outside Refrigerator

Moisture collects on outside of refrigerator or between doors.

Weather is humid.

- This is normal in humid weather. When humidity is lower, the moisture should disappear.

Food is freezing.

Temperature setting is too low.

- Move the setting to a higher degree.

Temperature sensor is covered by food (right side of fresh food area).

- Allow space for air flow to the sensor.

Food is covering the air ports.

- Allow space between the air ports and the food.

Warning

This content is compiled from multiple sources and is provided for reference purposes only. It may not be complete or fully applicable to all situations. If you are unable to resolve your issue, please contact the product manufacturer or an authorized service provider for official support.