

Package Contents

- 1 x X-Sense 10-Year Battery Smoke Detector
- 1 x Mounting bracket
- 2 x Screws
- 2 x Anchor plugs 1 x User manual

Safety Information

CAUTION!

THIS SMOKE DETECTOR IS DESIGNED FOR INDOOR USE ONLY:

1. DO NOT EXPOSE TO RAIN OR MOISTURE.
2. DO NOT KNOCK OR DROP THE DETECTOR.
3. DO NOT OPEN OR TAMPER WITH THE DETECTOR AS THIS COULD CAUSE MALFUNCTION.

IMPORTANT!

1. DANGERS, WARNINGS, AND CAUTIONS ALERT YOU TO IMPORTANT OPERATING INSTRUCTIONS OR TO POTENTIALLY HAZARDOUS SITUATIONS. PAY SPECIAL ATTENTION TO THESE SITUATIONS.
2. THIS DETECTOR IS NOT INTENDED TO ALERT HEARING-IMPAIRED INDIVIDUALS. THE USE OF ALCOHOL OR DRUGS MAY ALSO IMPAIR ONE'S ABILITY TO HEAR THE SMOKE DETECTOR.
3. FIRES IN CHIMNEYS, WALLS, ROOFS, DIFFERENT LEVELS OR BEHIND CLOSED DOORS MIGHT NOT BE DETECTED.

WARNING!

1. NEVER IGNORE ANY ALARM. FAILURE TO RESPOND CAN RESULT IN SERIOUS INJURY OR DEATH.
2. THE SILENCE FEATURE IS ONLY FOR YOUR CONVENIENCE AND WILL NOT CORRECT A PROBLEM. ALWAYS CHECK YOUR HOME FOR A POTENTIAL PROBLEM AFTER ANY ALARM. FAILURE TO DO SO CAN RESULT IN INJURY OR DEATH.

3. TEST THIS SMOKE DETECTOR ONCE A WEEK. IF THE DETECTOR EVER FAILS TO TEST CORRECTLY, REPLACE IT IMMEDIATELY! IF THE DETECTOR CANNOT WORK PROPERLY, IT WILL NOT ALERT YOU TO A PROBLEM.

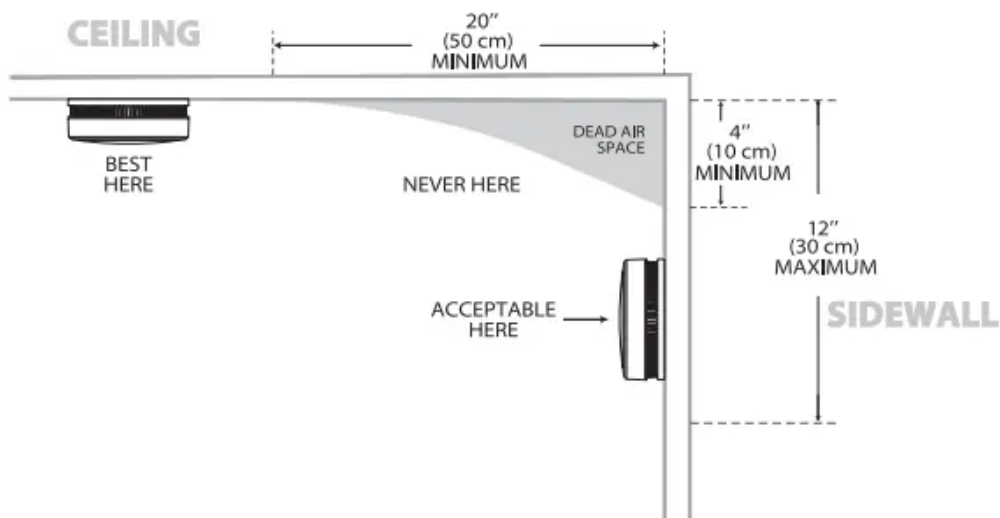
Installation Positioning

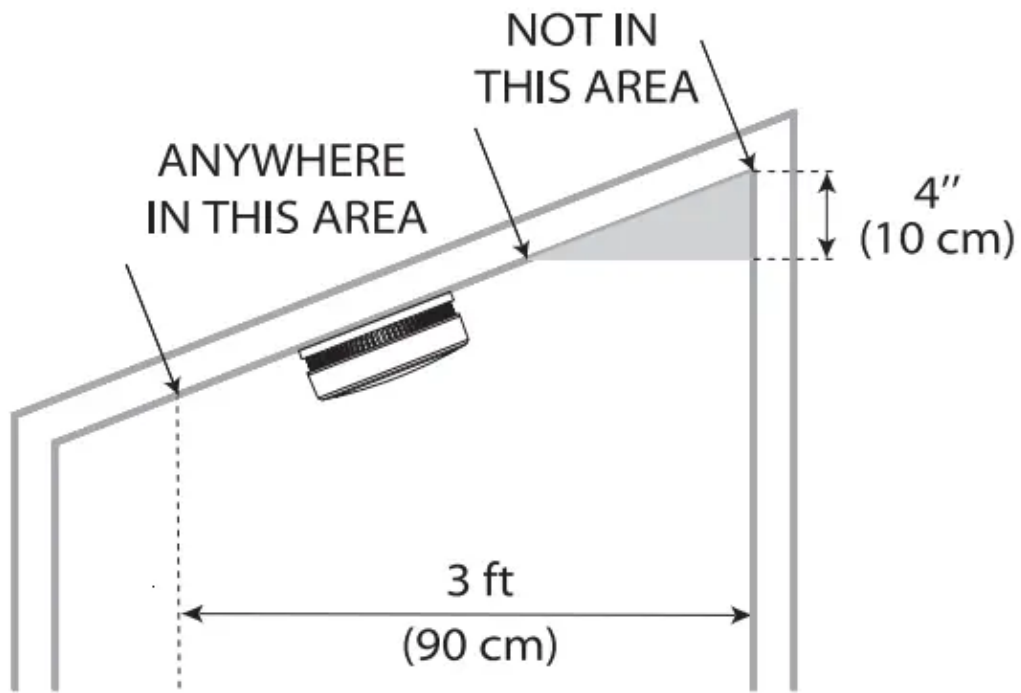
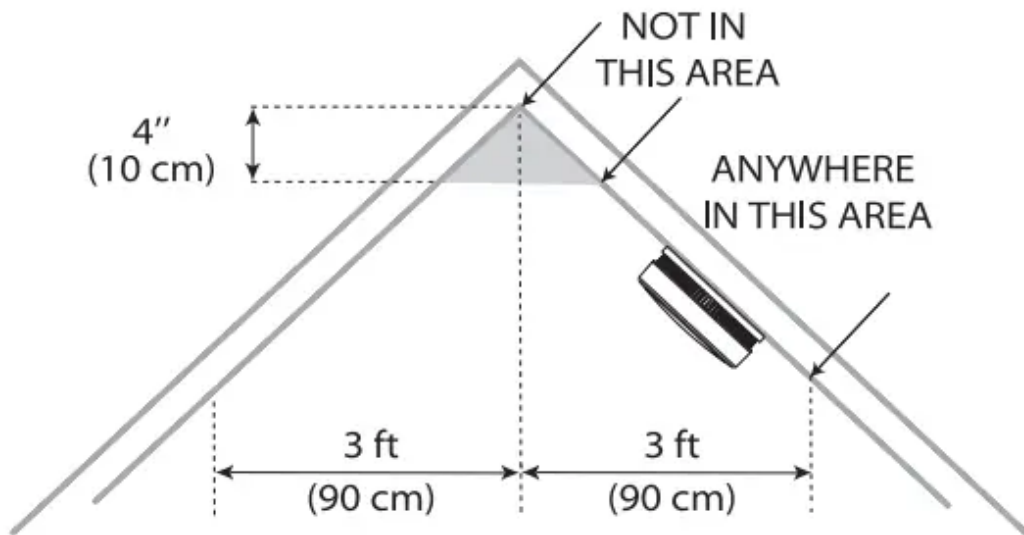
When choosing your installation location, make sure you can hear the alarm from all sleeping areas.

If you install only one smoke detector in your home, install the detector as close to the bedrooms as

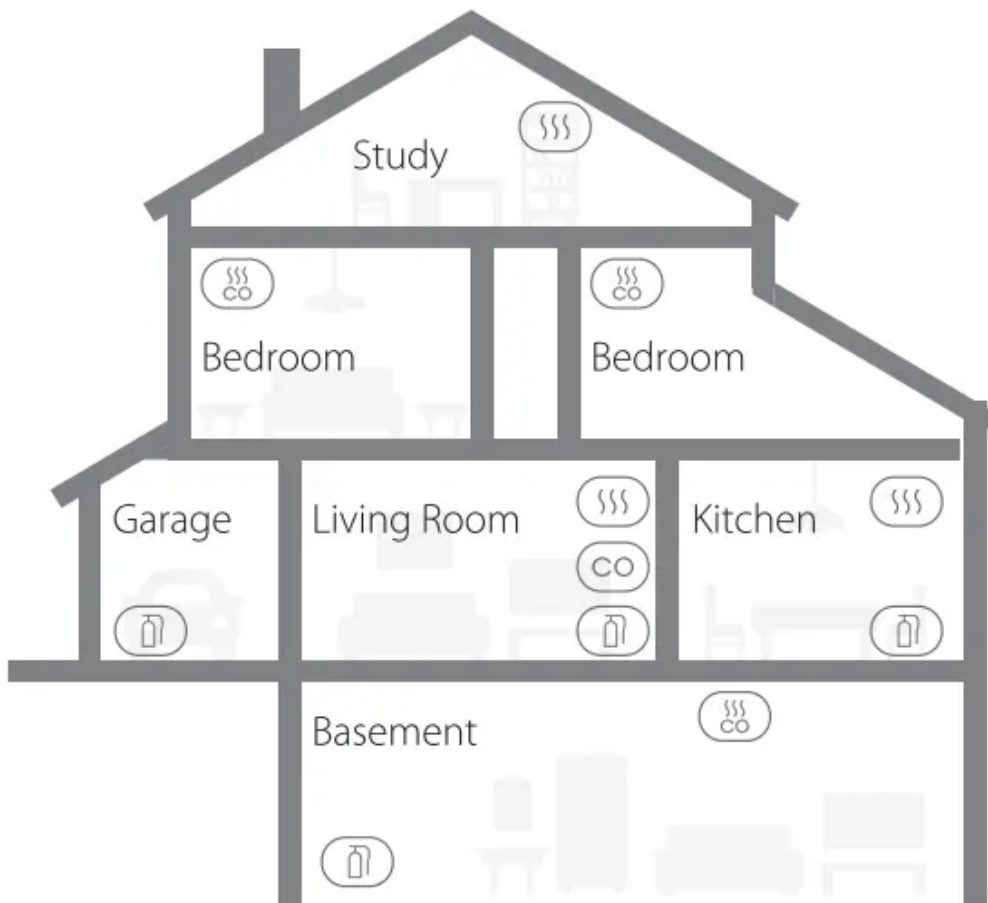
possible, and not in a basement or furnace room.

1. Prioritize the installation of a detector in the bedroom and walkways. In a home with several bedrooms, install one detector in every bedroom.
2. Install a detector above the stairway and on every floor of the house.
3. Smoke, heat and anything burning will spread horizontally after rising to the ceiling, so install the detector **in the middle of the ceiling** where possible. Ensure that the detector is installed at the minimum distance away from corners.
4. If a detector cannot be installed in the middle of a ceiling, install it at a distance of 20 inches (50 cm) away from the corners of the room.
5. If a detector is installed onto a wall, a distance of 4-12 inches (10-30 cm) should be kept below the ceiling.
6. If the length of a room or hall is beyond 30 feet (900 cm), several detectors should be installed in the same space.
7. When the wall or ceiling is angled, the alarm needs to be installed within 3 feet (90 cm) of the highest wall or ceiling point (measured horizontally) in the room.





Recommended Placement



Smoke Detectors



Carbon Monoxide Detectors



Smoke & Carbon Monoxide Detectors

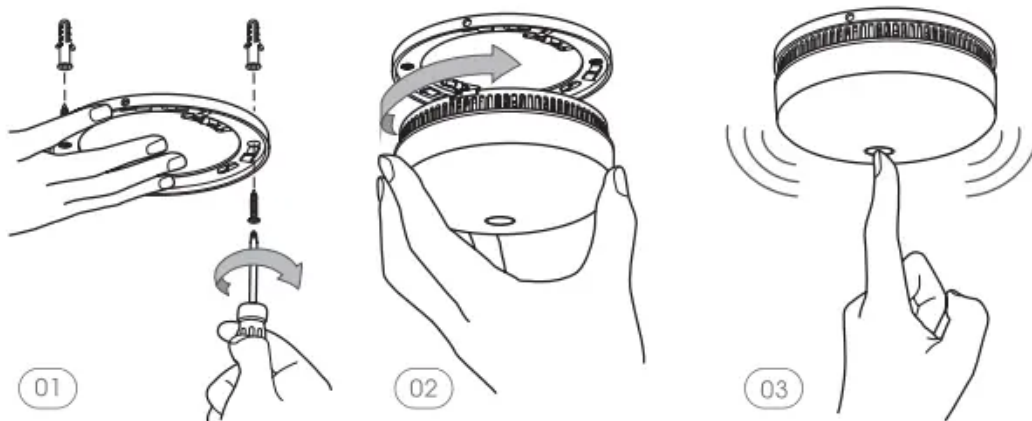


Fire Extinguishers

How to Install the Detector

Installation Method

1. Draw a horizontal or vertical line of 4.7 in (12 cm) length at the intended place of installation the ceiling or wall.
2. Align the two long mounting slots with the line. Mark the center of each slot.
3. Drill holes at the two marks using an appropriately sized drill bit.
4. Insert the anchor plugs and screw on the mounting bracket with the provided screws. Do not over-tighten the screws to avoid bending the mounting bracket.
5. Attach the detector to the mounting bracket and turn clockwise to lock the detector.
6. Test the smoke detector according to the steps in the section below.



Alarm Test

The detector must be properly attached to the base plate before it can be tested.

1. Press the central test button and release the button.
2. The unit beeps 3 times.
3. The red LED flashes rapidly with an alarm tone signal.

NOTE: The test function accurately tests the detector's smoke-sensing circuit without the need of test smoke. If your smoke detector fails to give an audible test signal, please refer immediately to the troubleshooting guide at the end of this manual.

LED Indicator and Audible Alarm

Status	LED Indicator	Audible Alarm
Normal	Red LED flashes every 60 seconds.	None
Test	Red LED flashes rapidly.	Short quick beeps
Alarm	Red LED flashes rapidly.	Short quick beeps
Hush Mode	Red LED flashes every 5 seconds.	None
Low Battery	Red LED flashes every 60 seconds.	1 beep every 60 seconds
Malfunction	Red LED flashes every 40 seconds.	2 beeps every 40 seconds

Technical Specifications

Power Supply	10-year sealed lithium battery
Sensor Type	Photoelectric
Safety Standard	UL 217
Standby Current	< 6 μ A (average)
Alarm Current	< 30 mA (average)
Coverage Area	20-40 m ²
Temperature Range	40 °F (4.4 °C) to 100 °F (37.8 °C)
Humidity Range	≤ 85% (non-condensing)
Audio Alarm	≥ 85 dB at 9.84 ft (3 m) @ 3.2 ± 0.3 kHz pulsing alarm
Silence Time	About 9 minutes

Maintenance

To keep your smoke detector in good working order, follow these simple steps:

1. Verify the unit's alarm sound and indicators are working properly by testing the unit once a week
2. At a minimum, your smoke detector should be cleaned once every 3 months: Remove the unit from the ceiling and clean the detector cover and vents with your vacuum cleaner fitted with the soft brush attachment to remove dust and dirt.
3. Never use detergents or other solvents to clean the unit.
4. Avoid spraying air fresheners, hair spray or other aerosols near the detector.
5. Do not paint the unit. Paint will seal the vents and interfere with the sensor's ability to detect fire.
6. Never attempt to disassemble the unit or clean inside. Doing so will void your warranty.
7. When removed, place the smoke detector back in its proper location as soon as possible, to assure continuous protection from fire.

8. When household cleaning supplies or similar contaminants are used, the area should be ventilated

If the Smoke Detector Sounds

1. Don't panic; stay calm. Follow your famil/s escape plan.
2. Get out of the house as quickly as possible. Don't stop to get dressed or collect anything.
3. Feel doors with the back of your hand before opening them.
4. If a door is cool, open it slowly. Don't open a hot door. Keep doors and windows closed, unless you must escape through them.
5. Cover your nose and mouth with a cloth (preferably damp).
6. Take short, shallow breaths.
7. Meet at your planned meeting place outside your home, and do a head count to make sure everybody got out safely.
8. Call the Fire Department as soon as possible from outside. Give your address, then your name.
9. Never go back inside a burning building for any reason.
10. Contact your Fire Department for ideas on making your home safer.

Fire Safety Tips

Follow these safety rules to prevent hazardous situations:

1. Use smoking materials properly. Never smoke in bed.
2. Keep matches or lighters away from children.
3. Store flammable materials in proper containers.
4. Keep electrical appliances in good condition and don't overload electrical circuits.
5. Keep stoves, barbecue grills, fireplaces and chimneys grease-free and debris-free.
6. Never leave anything cooking on the stove unattended.
7. Keep portable heaters and open flames, like candles, away from flammable materials.
8. Don't let rubbish accumulate.
9. Keep detectors clean, and test them weekly.
10. Replace detectors immediately if they are not working properly. Smoke detector that does not work cannot alert you to a fire.

11. Keep at least one working fire extinguisher on every floor, and an additional one in the kitchen.

12. Have fire escape ladders or other reliable means of escape from an upper floor in case stairs are blocked. Install and maintain fire extinguishers on every level of the home and in the kitchen, basement and garage. Know how to use a fire extinguisher prior to an emergency.

Troubleshooting

PROBLEM	SOLUTION
Smoke detector does not respond.	Please check whether the detector is properly attached to the mounting bracket.
Red LED flashes and the alarm sounds one beep every 60 seconds.	Battery is low.
Red LED flashes and the alarm sounds two beeps every 40 seconds.	The detector is malfunctioning. Please clean your smoke detector. Or REPLACE IMMEDIATELY!
False alarms triggered intermittently or when residents are cooking, taking showers, etc.	<ol style="list-style-type: none">1. Clean smoke detector.2. Reposition the detector according to the instructions of installation positioning.

Warning

This content is compiled from multiple sources and is provided for reference purposes only. It may not be complete or fully applicable to all situations. If you are unable to resolve your issue, please contact the product manufacturer or an authorized service provider for official support.

