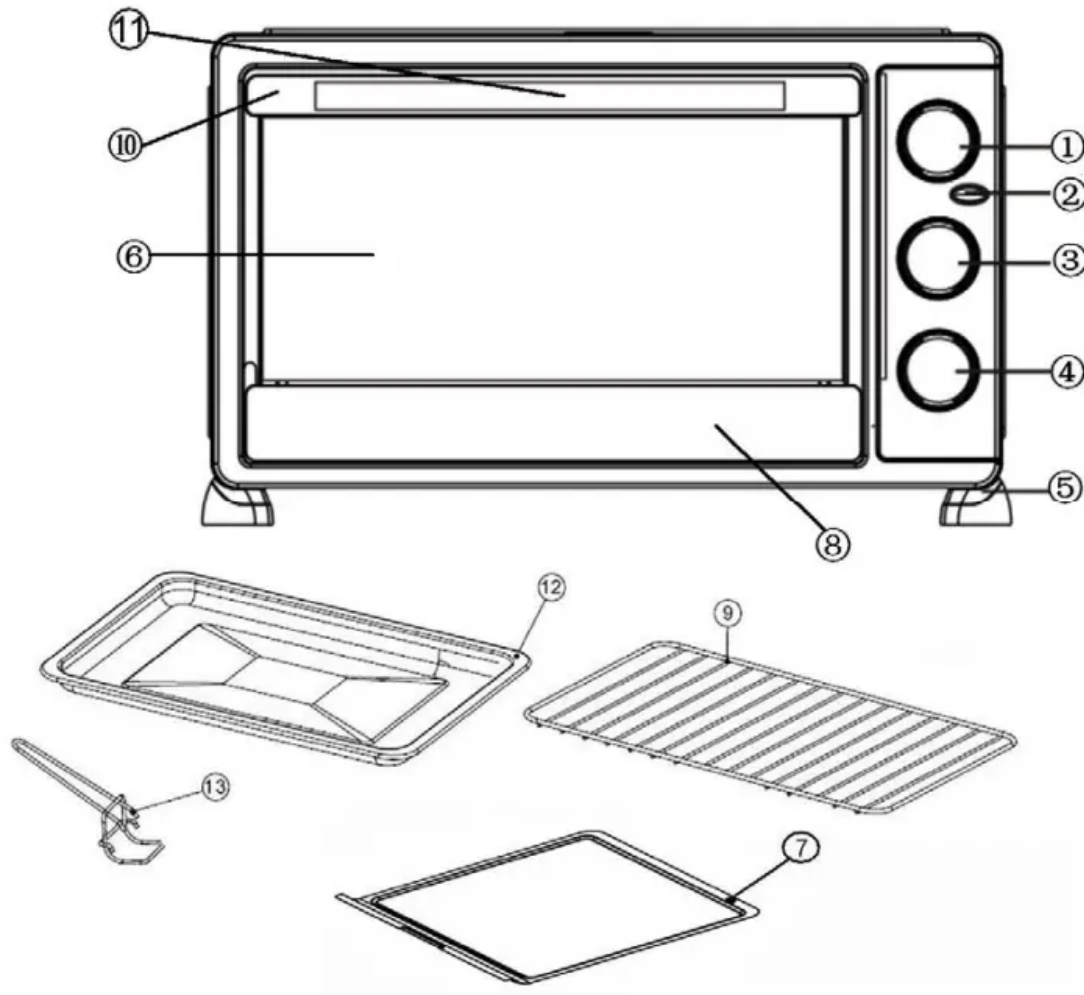


Getting To Know Your Electric Oven

MAIN COMPONENT :




1. Temperature Control Knob
3. Function Control Knob
5. Oven Foot
7. Crumb Tray
9. Wire Rack
11. Oven Handle
13. Tray Handle

2. Indicator Light
4. Timer Control Knob
6. Door Glass
8. Bottom Door Frame
10. Top Door Frame
12. Bake Tray

Before using your Electric oven

Before using your electric oven for the first time, be sure to:

1. Read all of the instruction included in this manual.
2. Make sure that the oven is unplugged and the Timer control is in the "OFF" position.
3. Wash all the accessories in hot, soapy water or in the dishwasher.
4. Thoroughly dry all accessories and re-assemble in the oven. Plug the oven into outlet and you are ready to use your new toaster oven.
5. After re-assembling your oven, we recommend that you run it at the highest temperature


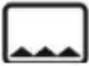

(450°F) on the  function for approximately 15 minutes to eliminate any packing residue that may remain after shipping. This will also remove all traces of odor initially present.

Please Note: Initial start-up operation may result in minimal smell and smoke (about 15 minutes). This is normal and harmless. It is due to burning of the protective substance applied to the heating elements in the factory.

Using your electric oven

You can use the Luby oven for broil, bake and toast.

Please familiarize yourself with the following oven functions and accessories prior to first use:

- Temperature Control: Choose the desired temperature from 150°F to 450°F for baking, broiling or toasting.
- Function Control: There're four stages switch heating selector: Off/  Upper heating/  Bottom heating /  Upper heating + Bottom heating
- Timer Control: To choose your cooking time, and there is a bell rings at the end of the programmed time. Also control the Convection and Lamp turn-on and turn-off at the same time.
- Power "ON" neon light: It's illuminated whenever the oven is turned on.
- Bake Tray: For use in broiling and roasting meat, poultry, fish and various other foods.
- Tray Handle: Allows you to pick up the wire rack, and bake tray when they are hot.
- Crumb tray: Use to catch the drippings, bread crumbs, etc.
- Wire Rack: Use for bake cake, meat and various other foods.

CONVECTION and Lamp

Convection Fan and Lamp are operating when the timer is turn-on and stopping when the timer is turn-off.

CAUTION: Always use extreme care when removing bake tray, wire rack or any hot container from a hot oven. Always use the rack handle, or an oven mitt when removing hot items from the oven.

Care & Cleaning

Warning: Be sure to unplug the oven and allow it to cool before cleaning

Any spattering that occurs while cooking and comes into contact with the cavity surface is oxidized while the oven is in operation. If desired, wipe the walls with a damp sponge, cloth or nylon scouring pad and mild detergent. **DO NOT USE STEEL WOOL SCOURING PADS, ABRASIVE CLEANERS OR SCRAPE THE WALLS WITH A METAL UTENSIL, AS ALL OF THESE METHODS MAY DAMAGE CAVITY SURFACE AND CAUSE RUST.**

All accessories should be washed in hot soapy water or can be cleaned in a dishwasher. The door can be wiped with a damp sponge and wiped dry with a paper or cloth towel. Clean the outside with a damp sponge. **DO NOT USE AN ABRASIVE CLEANER AS IT MAY DAMAGE THE EXTERIOR FINISH AND CAUSE TO BE RUST.**

DO NOT USE AN ABRASIVE CLEANER OR STEEL WOOL SCOURING PAD ON THE DRIP PAN AS IT MAY DAMAGE THE PORCELAIN ENAMEL FINISH. LET ALL PARTS AND SURFACES TO BE DRY THOROUGHLY BEFORE PLUGGING OVEN IN AND USING.

Due to continuous product improvement, specifications subject to change without prior notice.

WARNING!

The appliance is not intended for use by persons (including children) with reduced physical sensory or mental capabilities, or lack of experience and knowledge, unless they have been given supervision or instruction concerning use of the appliance by a person responsible for their safety. Children should be supervised to ensure that they do not play with the appliance.

1. Never use the device unsupervised! Switch off the device whenever you are not using it, even if this only for short while.
2. This appliance is not intended to be operated by means of an external timer or separate remote-control system.
3. If the supply cord is damaged, it must be replaced by the manufacturer, it's service agent or similarly qualified persons in order to avoid a hazard.
4. Do not immerse this product in liquid.

*****This appliance shall not be used by children. Please must keep the appliance away and its cord out of reach of children. *****

Caution: Hot surfaces! The surfaces of oven are getting hot when the appliance is operating.

IMPORTANT SAFETY INSTRUCTIONS

When using your Electric Oven, basic safety precautions should always be observed, including the following:

1. Do not touch hot surfaces. Always use handles or knobs.
2. Close supervision is necessary when any appliance is used by or near children.
3. To protect against electric shock, do not immerse cord, plug or any parts of the oven in water or any other liquids.
4. Do not let cord hang over edge of table or counter, or touch hot surfaces.
5. Do not operate an appliance with a damaged cord or plug or after the appliance malfunctions or has been damage in any manner.
6. The use of accessory attachments not recommended by the appliance manufacturer may cause hazard or injury.
7. Do not place on or near a hot gas or electric burner.
8. When operating the oven, keep at least four inches of free space on all sides of the oven to allow for adequate air circulation.
9. Unplug from outlet when not in use and before cleaning. Allow to cool before putting on or taking off parts and before cleaning.
10. To disconnect, turn the time control to OFF, then remove the plug. Always hold the plug, and never pull the cord.
11. Extreme caution must be used when moving a drip pan containing hot oil or other hot liquids.
12. Do not cover any part of the oven with metal foil. This may cause the oven to overheat.
13. Use extreme caution when removing the tray, racks or disposing of hot grease or other hot liquids.
14. Do not clean the inside of the oven with metal scouring pads. Pieces can break off the pad and touch electrical parts, creating a risk of electric shock.
15. Oversized foods or metal utensils must not be inserted in a toaster oven as they may create a fire or an electric shock.
16. A fire may occur if the oven is covered or touching flammable material, including the curtains, draperies, walls, and the like, when in operation. Do not store any item on top of the appliance when in operation.
17. Extreme cautions should be exercised when using cooking or baking containers constructed of anything other than metal or ovenproof glass.
18. Be sure that nothing touches the top or bottom elements of the oven.

19. Do not place any of the following materials in the oven: cardboard, plastic, paper or anything similar.
20. Do not store any materials other than the manufacturer's recommended accessories in this oven when not in use.
21. Always wear protective, insulated oven gloves when inserting or removing items from the hot oven.
22. This appliance has a tempered, safety glass door. The glass is stronger than ordinary glass and more resistant to breakage. Tempered glass can still break around the edges. Avoid scratching the door surface or nicking the edges.
23. This appliance is OFF when the Timer Control button is in the "OFF" position.
24. Do not use outdoors.
25. Do not use this appliance for other than its intended use.

Warning

This content is compiled from multiple sources and is provided for reference purposes only. It may not be complete or fully applicable to all situations. If you are unable to resolve your issue, please contact the product manufacturer or an authorized service provider for official support.