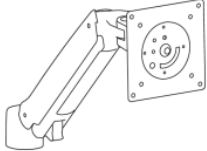
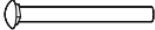
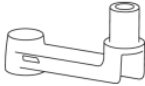
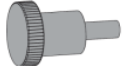


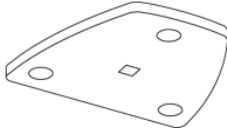




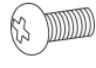


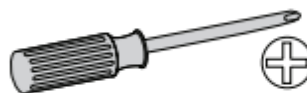


Tools needed

A		x2	H		x1
B		x2	I	 M4x10mm	x8
C		x1	J		x4
D		x1	K	 4 mm	x1
E		x2	L	 2.5 mm	x1
F		x2	M	 M4x10mm	x8
G		x1	N	 M3x6mm	x2



IMPORTANT SAFEGUARDS



Read these instructions carefully and retain them for future use. If this product is passed to a third party, then these instructions must be included.

When using the product, basic safety precautions should always be followed to reduce the risk of injury including the following:

- This product can be used by children aged from 8 years and above and persons with reduced physical, sensory or mental capabilities or lack of experience and knowledge if they have been given supervision or instruction concerning use of the appliance in a safe way and understand the hazards involved. Children shall not play with the product. Cleaning and user maintenance shall not be made by children without supervision.
- You will have to adjust this product after installation is complete.
- Do not exceed maximum listed weight capacity. Serious injury or property damage may occur.
- Because mounting surface materials can vary widely, it is imperative that you make sure mounting surface is strong enough to handle mounted product and equipment.

IMPORTANT, RETAIN FOR FUTURE REFERENCE: READ CAREFULLY.

Before First Use

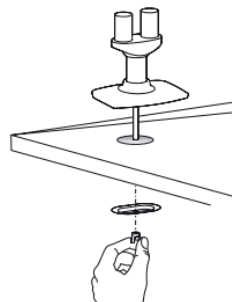
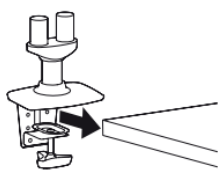
- Check for transport damages.

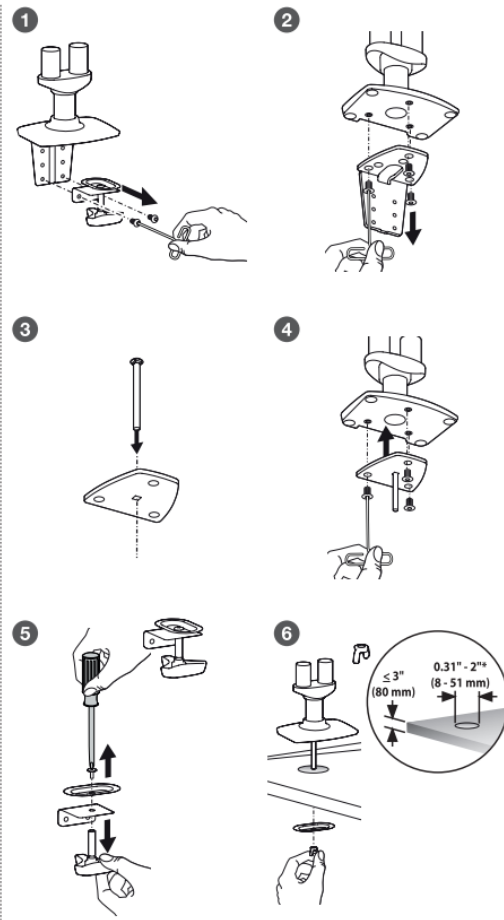
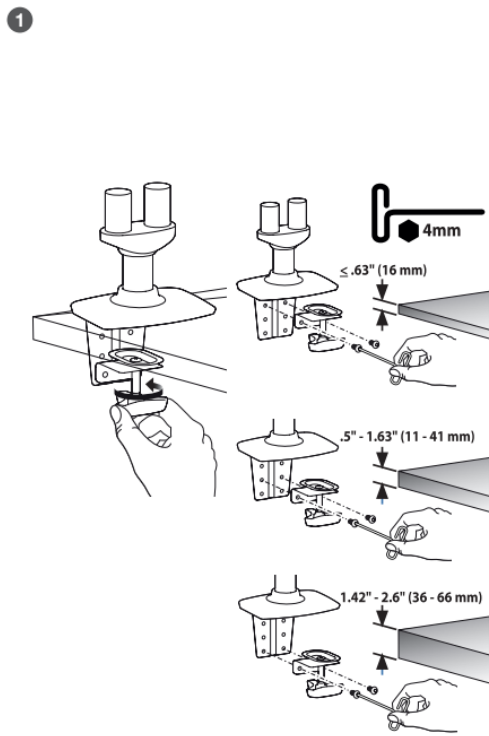


DANGER

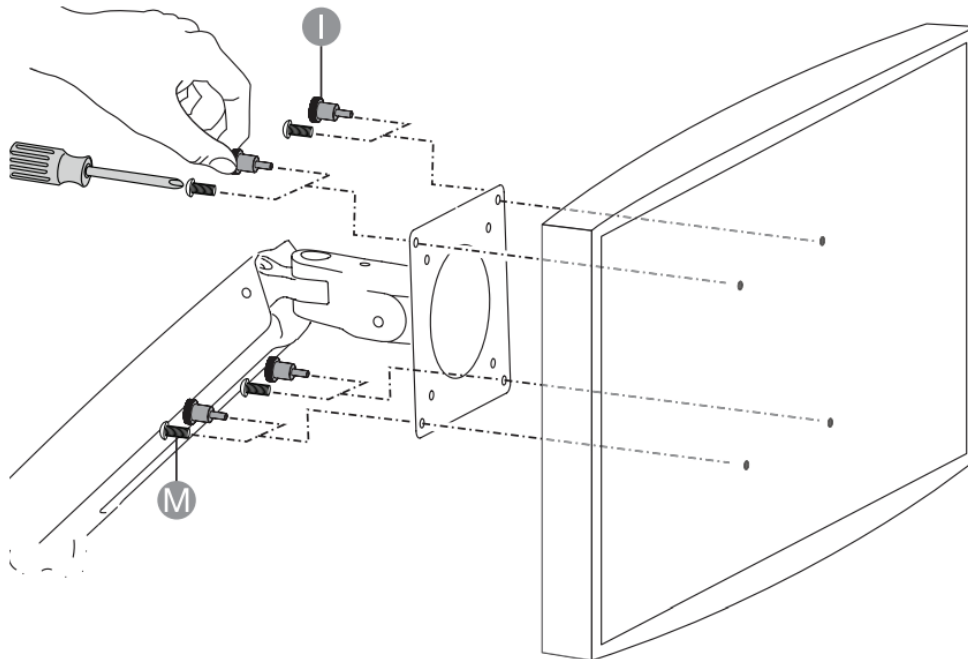
Risk of suffocation! Keep any packaging materials away from children - these materials are a potential source of danger, e.g. suffocation.

1 Mounting Method





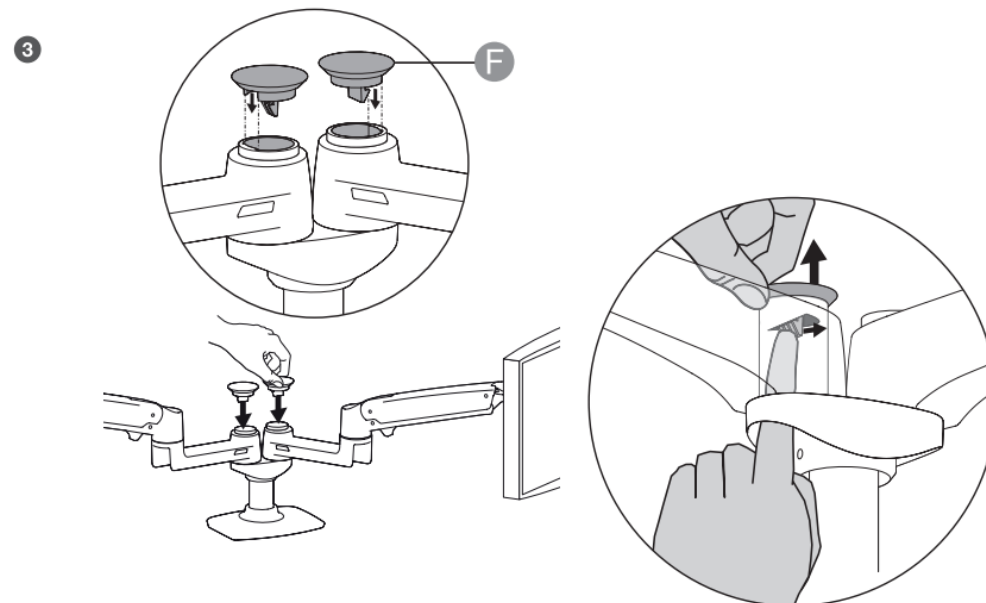
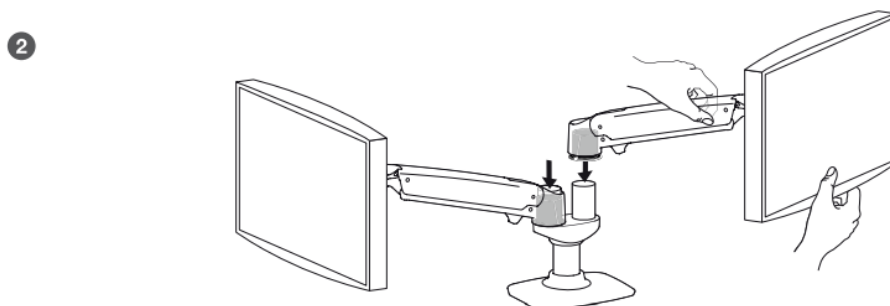
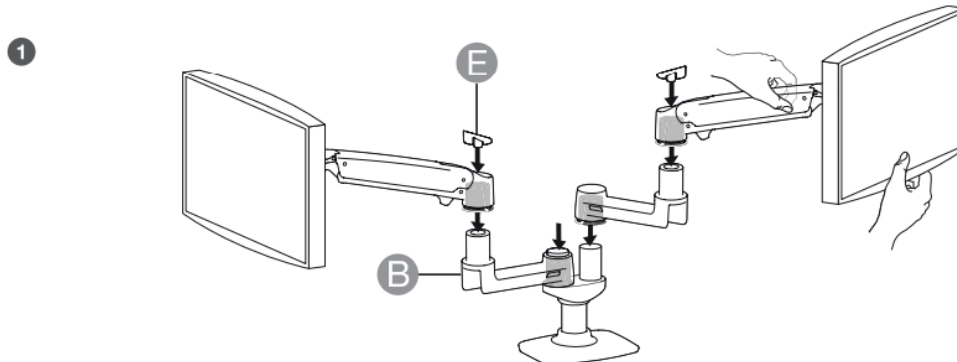
2 Mount the Display



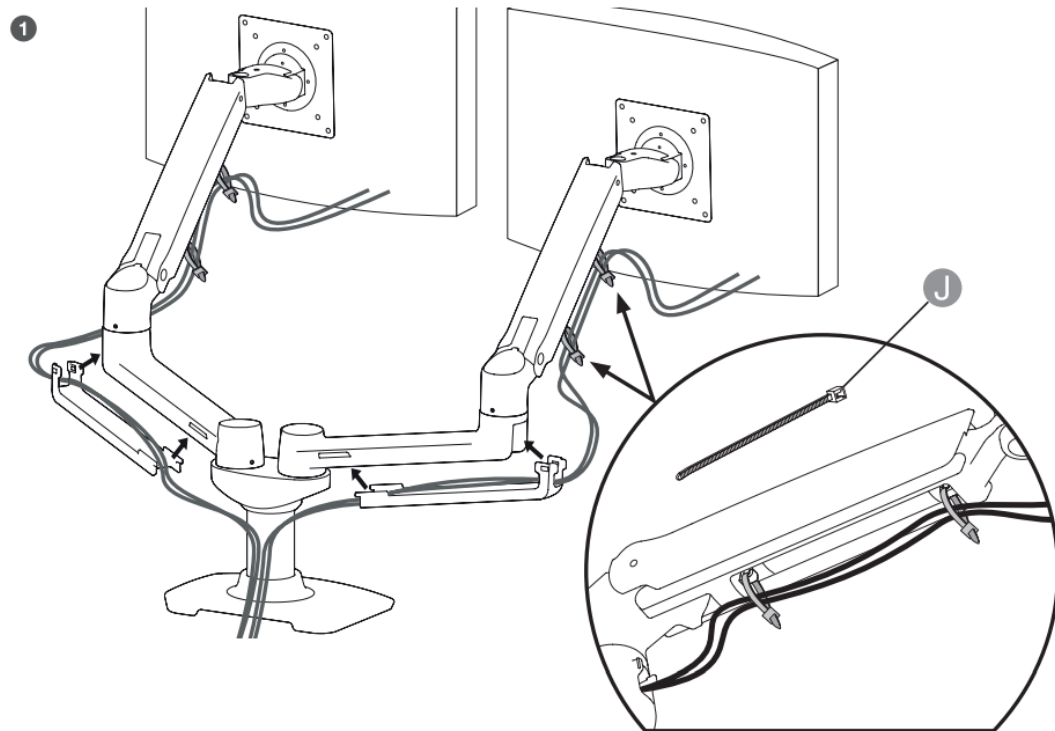
The arm mechanism is under tension and will move up rapidly, on its own, as soon as attached equipment is removed. EN For this reason, do not remove equipment unless the arm has been

moved to the highest position! Failure to follow this instruction may result in serious personal injury and/or equipment damage.

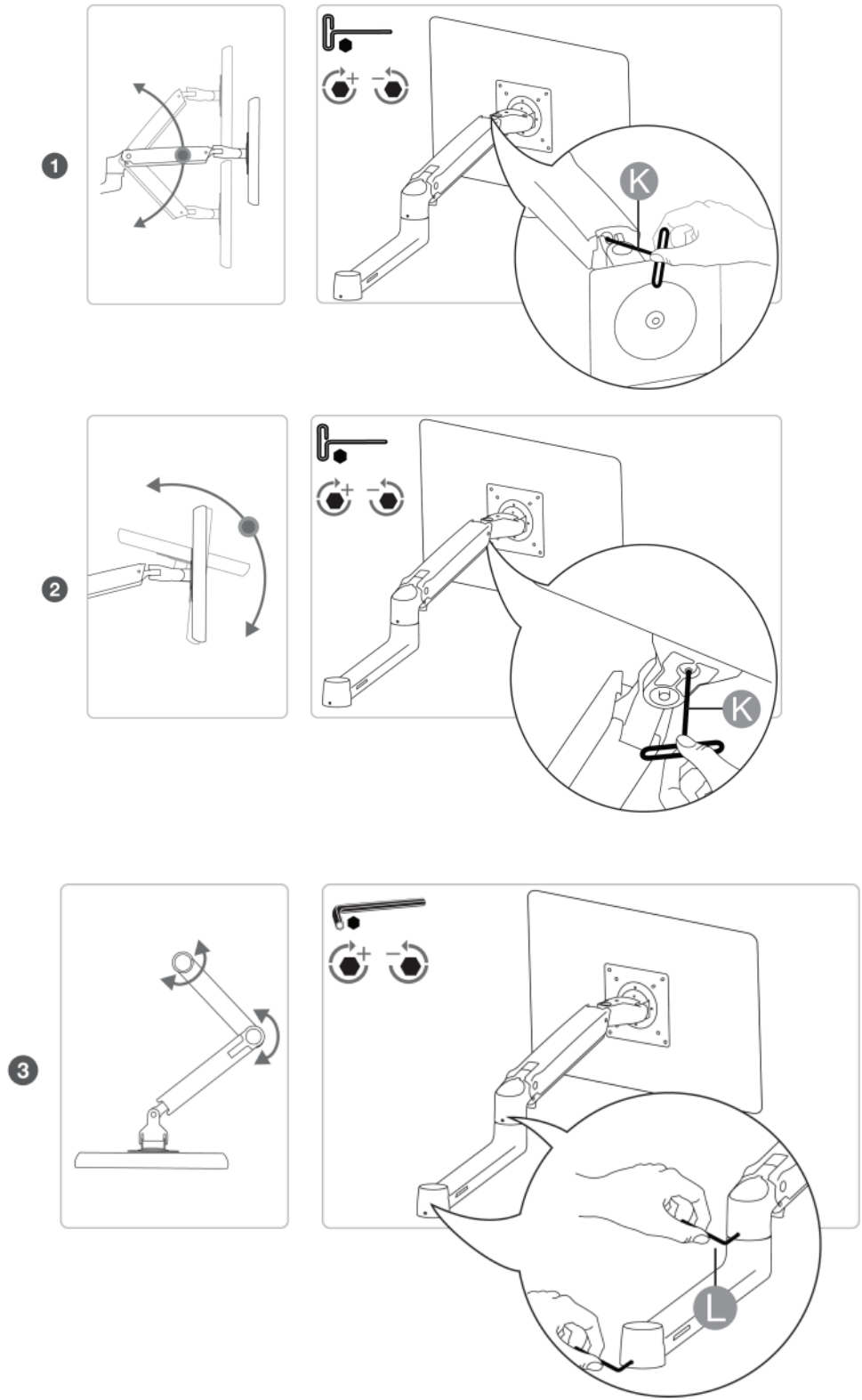
3 Mount the Monitor Arms



4 Secure the Cables



5 Adjust Monitor Arm's



Cleaning and Maintenance

Cleaning

- To clean, wipe with a soft, slightly moist cloth.
- Never use corrosive detergents, wire brushes, abrasive scourers, metal or sharp utensils to clean the product.

Maintenance

- Check the components regularly to make sure all screws and bolts are tightened.
- Store in a cool and dry place away from children and pets, ideally in original packaging.
- Avoid any vibrations and shocks.

Warning

This content is compiled from multiple sources and is provided for reference purposes only. It may not be complete or fully applicable to all situations. If you are unable to resolve your issue, please contact the product manufacturer or an authorized service provider for official support.