

## Installation

Follow these instructions carefully to ensure a proper installation of this refrigerator and to prevent accidents before using it.

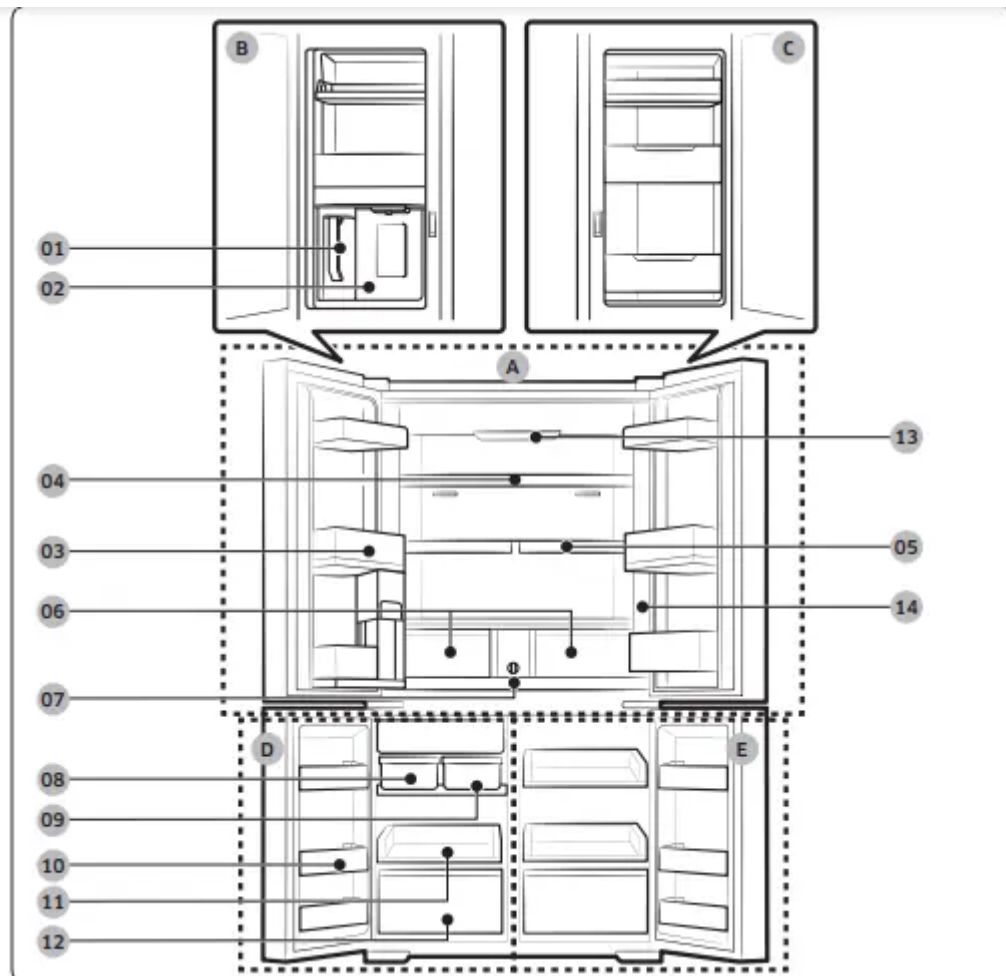
### WARNING

- Use the refrigerator only for its intended purpose as described in this manual.
- Any servicing must be performed by a qualified technician.
- Dispose of the product packaging material in compliance with the local regulations.
- To prevent electric shock, unplug the power plug before servicing or replacing parts

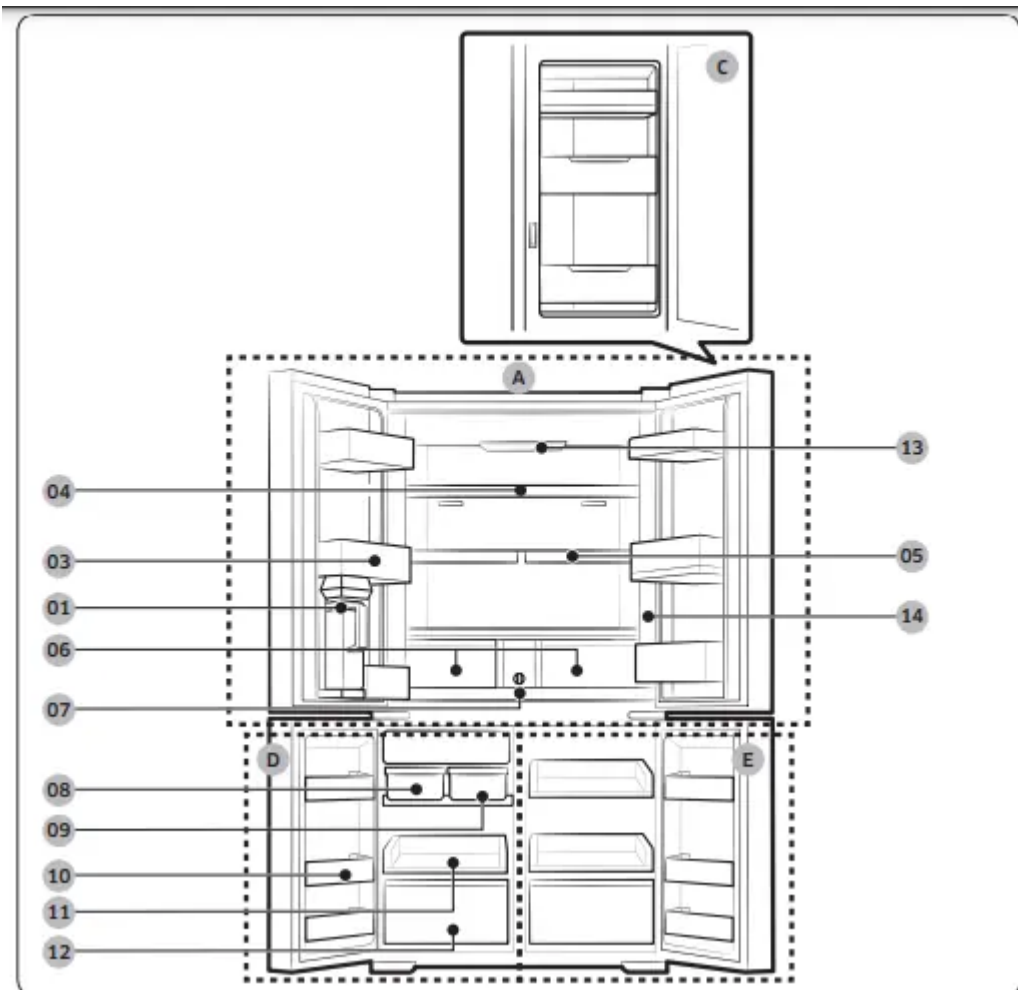
### Refrigerator at a glance

The actual refrigerator and provided component parts of your refrigerator may differ from the illustrations in this manual, depending on the model and the country.

#### Type A



#### Type B



- 1. AutoFill Pitcher \*
- 2. Water dispenser \*\*
- 3. Fridge door bin
- 4. Fridge shelf
- 5. Quick Space shelf \*
- 6. Crisper+ / Flex Crisper \*
- 7. Water filter
- 8. Auto ice maker - Cubed Ice \*
- 9. Auto ice maker - Ice Bites \*
- 10. Freezer door bin
- 11. Freezer shelf
- 12. Freezer drawer
- 13. UV Deodorizing Filter \*
- 14. Control panel

A. Fridge



B. Beverage Center \*\*

C. Showcase door \*

D. Freezer

E. FlexZone

\* Applicable models only

\*\* Dispenser models only

 **NOTE**

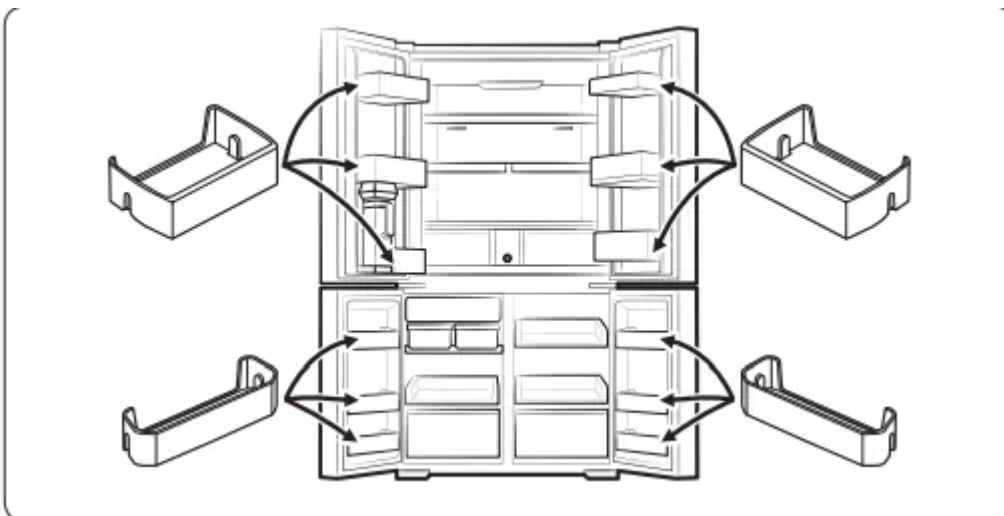
- For energy efficiency, keep all shelves, drawers, and baskets in their original positions.
- When closing the door, make sure the vertical hinged section is in the correct position to avoid scratching the other door.
- If the vertical hinged section is reversed, put it back into the correct position, and then close the door.
- Moisture may form at times on the vertical hinged section.
- If you close a door forcefully, the other door may open.
- If the internal or external LED lamp is out of order, contact a local Samsung service center.

**Door bins**

Your refrigerator ships with door bins of different types and sizes. If the door bins for your refrigerator were packaged separately, use the figure below to help you position the bins properly.

**NOTE**

The actual refrigerator and provided component parts of your refrigerator may differ from the illustrations in this manual, depending on the model and the country.



## Step-by-step installation

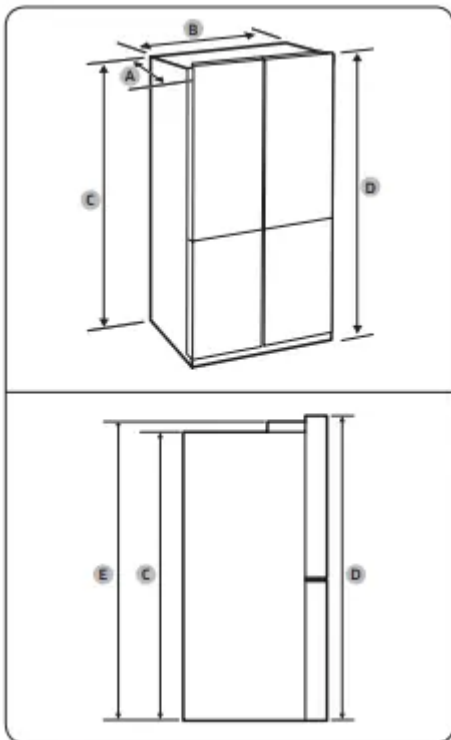
### STEP 1 Select a site

The site must:

- Have a solid level surface without carpeting or flooring that may obstruct ventilation
- Be out of direct sunlight
- Have adequate room for opening and closing the door
- Be away from any heat source
- Provide room for maintenance and servicing
- Have a temperature range between 50 °F (10 °C) and 110 °F (43 °C)

### Clearance

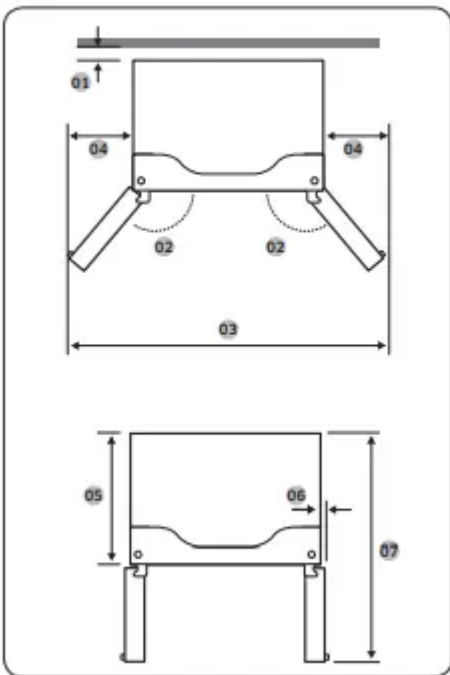
See the following figures and tables for installation space requirements.



Model	RF23A9671** RF23A9071**	RF29A9671** RF29A9071**
A	28 1/2" (723 mm)	33 7/8" (861 mm)
B	35 7/8" (912 mm)	
C	70 3/4" (1797 mm)	
D	71 7/8" (1825 mm)	
E	71 7/8" (1825 mm)	

Model	RF23A9675**	RF29A9675**
A	28 3/4" (731 mm)	34 1/4" (869 mm)
B	35 7/8" (912 mm)	
C	70 3/4" (1797 mm)	
D	73" (1853 mm)	
E	71 7/8" (1825 mm)	

- A. Depth
- B. Width
- C. Height (without hinge)
- D. Overall Height
- E. Height (with hinge)



Model	RF23A9671** RF23A9071**	RF29A9671** RF29A9071**
01	2" (50 mm)	
02	125°	
03	58" (1472 mm)	
04	11 1/8" (282 mm)	
05	24" (610 mm)	29 3/8" (748 mm)
06	1 7/8" (47 mm)	
07	43" (1093 mm)	48 1/2" (1231 mm)

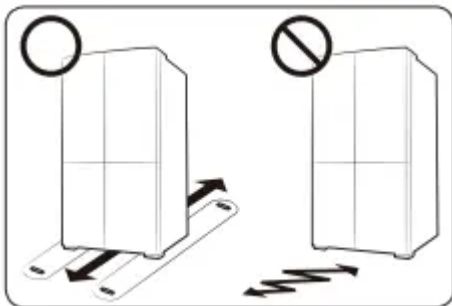
Model	RF23A9675**	RF29A9675**
01	2" (50 mm)	
02	125°	
03	59" (1498 mm)	
04	11 3/4" (295 mm)	
05	24" (610 mm)	29 3/8" (748 mm)
06	2 1/4" (55 mm)	
07	43" (1093 mm)	48 1/2" (1231 mm)

## NOTE

The measurements in the tables may differ slightly from the actual measurements, depending on the measuring and rounding method.

## STEP 2 Flooring

If the refrigerator cannot pass through the entrance due to its size, see Door removal for entrance.



## NOTE

To prevent floor damage, make sure the front leveling legs are in the upright position.

- The surface you install the refrigerator on must support a fully loaded refrigerator.
- To protect the floor, put a large piece of cardboard along the path to the refrigerator's final installation location.

- Once the refrigerator is in its final position, do not move it unless necessary to protect the floor. If you have to move the refrigerator, place thick paper or cloth such as old carpets along the path of movement.

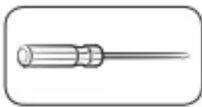
### Step 3 Door removal for entrance

If the refrigerator cannot pass through the entrance to your home or kitchen due to its size, follow these instructions to remove and then re-install the refrigerator's doors. If you do not need to remove the doors, go to page 33 to continue the installation procedure.

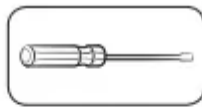
#### WARNING

Unplug the power cord of the refrigerator before removing the doors.

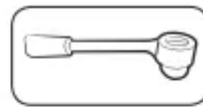
Tools required (not provided)



Phillips screwdriver



Flat-head screwdriver



Socket wrench  $\frac{3}{8}$ " (10 mm)

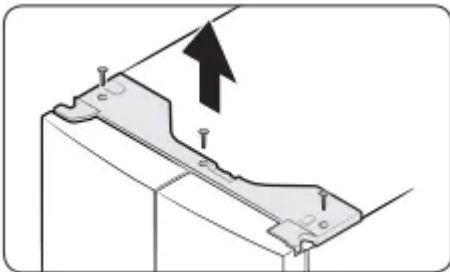


Pliers

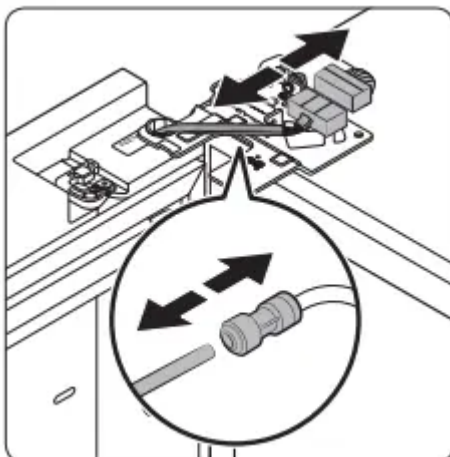


Allen wrench  $\frac{1}{4}$ " (5 mm)

### Detach the fridge doors



1. With the doors closed, use a Phillips screwdriver to remove the screws (x3) from the top cover. Pull up and remove the top cover with the connectors.

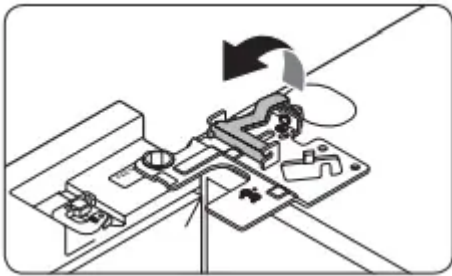


2. Disconnect the two wire connectors on the left door. The position of the connectors differs with the model.

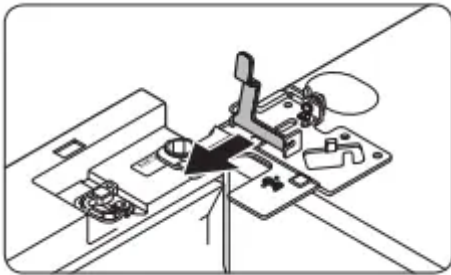
**CAUTION**

- Do not remove both doors simultaneously. Make sure to remove one door at a time. Otherwise, any of the doors may fall and cause physical injury.
- Make sure the refrigerator is off before disconnecting the connectors.

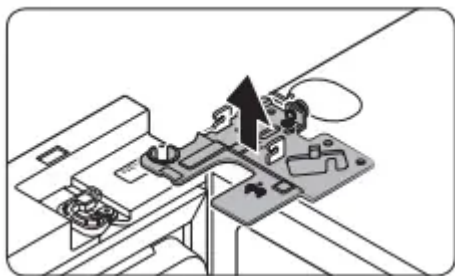
3. Disconnect the water tube from the coupler on the left door as shown. - This step does not apply to the models without the AutoFill Pitcher and the water dispenser.



4. Gently draw up the clamp in several steps. To prevent finger injuries, do not apply a sudden force to the clamp.

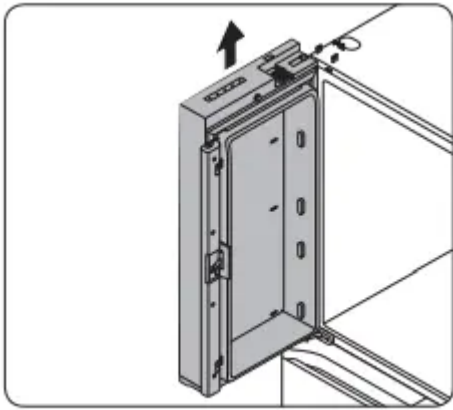


5. Pull up the clamp to remove.



6. Open the door 90 degrees. While holding the door, pull up and remove the top hinge. Be careful not to damage the connector wires when you remove the hinge.





7. Gently pull up the door vertically to remove. Do not apply excessive force to the door. The door may fall, causing physical injury.

8. Lay the door down on a flat surface.

9. Repeat steps 1-8 for the other door, except for step 3. There is no water tube on the right side door.

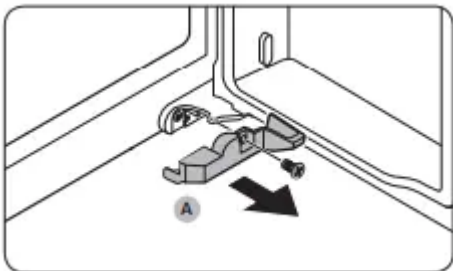
- Step 2 does not apply to the models without the Showcase door.

### Detach the freezer doors

#### CAUTION

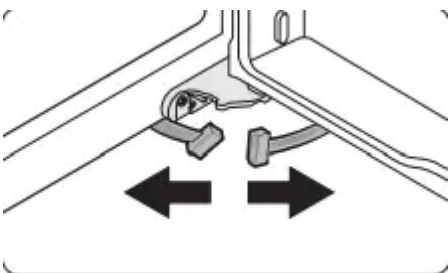
Be sure to remove the fridge doors before removing the freezer doors.

Use caution when disconnecting the bottom connectors.



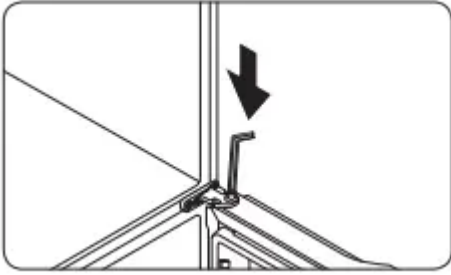
1. Open the freezer door.

2. Use a Phillips screwdriver to remove the screw holding the cover (A). - This step only applies to the right side freezer door (FlexZone door).

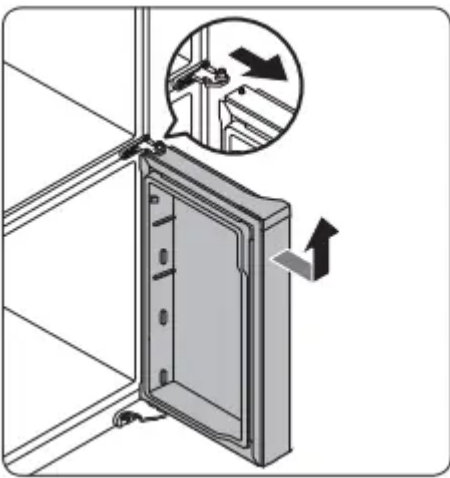


3. Disconnect the wire connectors.

- This step only applies to the right side freezer door (FlexZone door).



4. Locate the hinge shaft. While holding the door with one hand, use a flat-head screwdriver or Allen wrench to press the shaft down. Make sure to hold the door to prevent the door from falling



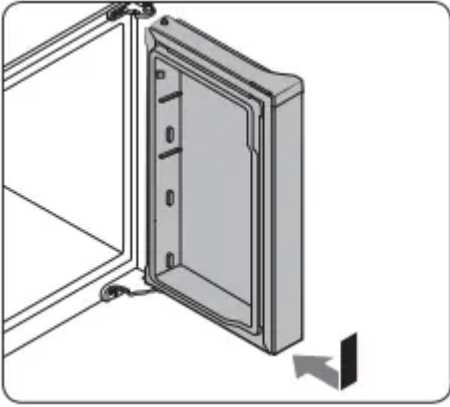
5. To prevent contact with the middle hinge, slightly tilt the door to the front, and then lift it up to remove.

6. Repeat steps 1-5 for the other door, except for steps 2 and 3.

### To reattach the freezer doors

#### CAUTION

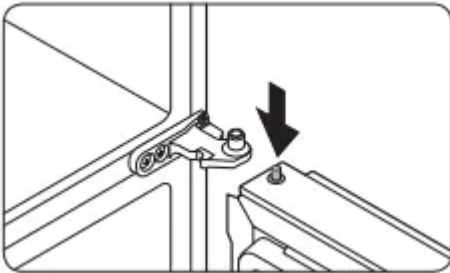
- The freezer doors must be re-attached before the fridge doors.
- Be careful not to damage or step on the wires during this process.



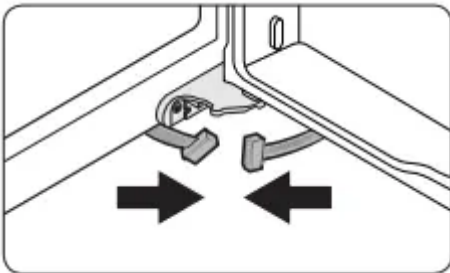
1. Insert the freezer door into the bottom hinge while pushing the freezer door in the direction of the arrow.

**CAUTION**

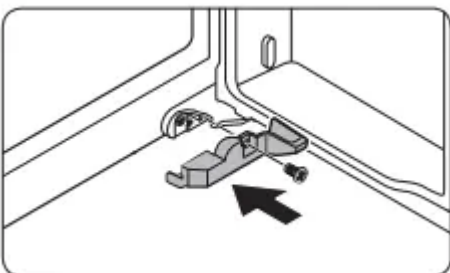
- Be careful not to damage or step on the wires during this process.



2. While pressing the hinge shaft down, position the door so that the hinge shaft is below the shaft hole in the middle hinge. Release the hinge shaft so that it enters the shaft hole.



3. With the door open, connect the bottom connectors in the direction of the arrows. - This step only applies to the right side freezer door (FlexZone door).

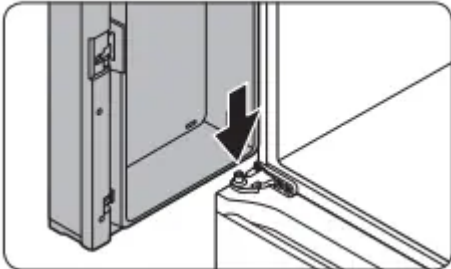


4. Attach the cover using a Phillips screwdriver. Be careful not to damage or step on the connectors.

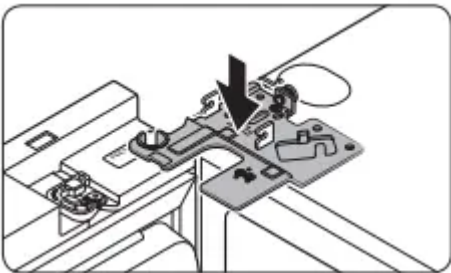
- This step only applies to the right side freezer door (FlexZone door).

5. Repeat steps 1-5 for the other door, except for steps 3 and 4.

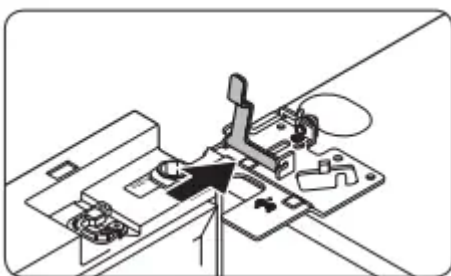
### To reattach the fridge doors



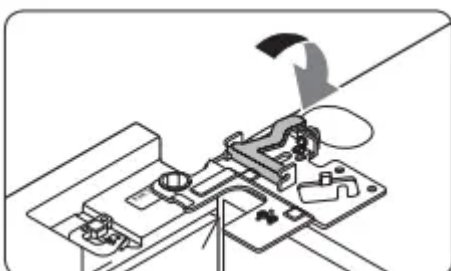
1. While holding the door open by more than 90 degrees, insert the shaft on the middle hinge into the hole on the bottom of the door.



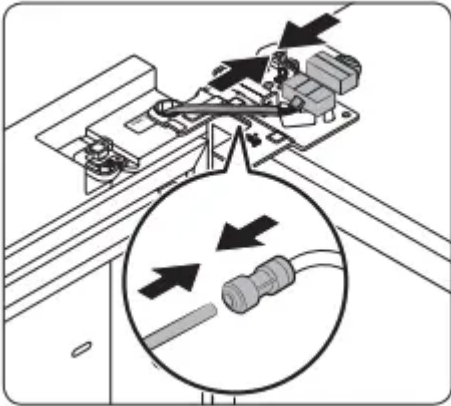
2. Put the top hinge into position on the top of the refrigerator, and then insert the hinge shaft into the top hole of the door. Make sure the wires from the door pass through the hole in the hinge shaft.



3. Insert the clamp in the direction of the arrow



4. Push back the clamp as shown



5. Connect the wire connectors.

**CAUTION**

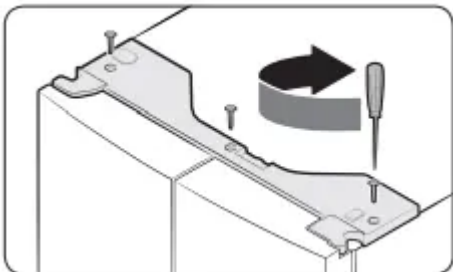
Make sure the wire connectors are connected properly. Otherwise, the display will not operate.

6. Connect the water tube. - This step does not apply to the models without the AutoFill Pitcher and the water dispenser.

**CAUTION**

To prevent water leaks, make sure the red clips tighten the coupler properly.

Keep the clips out of children's reach.



7. Repeat steps 1-5 for the other door. - Step 5 does not apply to the models without the Showcase door.

8. Attach the top cover with the front side first, and then press down on its back to get it into position. Then, tighten the screws (x3).

**STEP 4 Leveling the refrigerator**

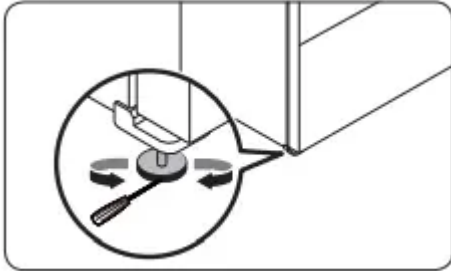
**CAUTION**

- When installed, the refrigerator must be leveled on a flat, solid floor. Not leveling the refrigerator can cause damage to the refrigerator or physical injury.
- Leveling must be performed with the refrigerator empty. Make sure no food items are inside the refrigerator.



- For safety reasons, adjust the front a little higher than the rear.

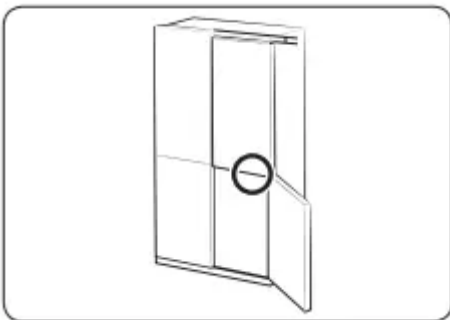
Level the refrigerator using the special screws (levelers) on the front legs. Use a flat-head screwdriver to turn the levelers.



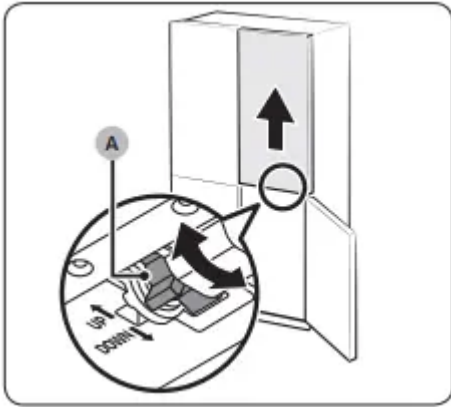
- To adjust the height of the left side: Insert a flat-head screwdriver into the leveler of the left side front leg. Turn the leveler clockwise to raise the left side or turn it counterclockwise to lower.
- To adjust the height of the right side: Insert a flat-head screwdriver into the leveler of the right side front leg. Turn the leveler clockwise to raise the right side or turn it counterclockwise to lower.

#### **STEP 5 Adjust the door height**

Adjusting the height with the height lever (applicable models only)



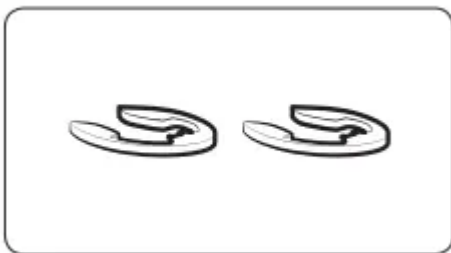
- Before aligning the door height, make sure the refrigerator is level. Use the leveling legs for this purpose.
- You can use the height lever at the bottom of the right-side door of the fridge. Open the right-side door of the freezer with both fridge doors closed and use the lever to adjust the door height.



- Turn the height lever (A) until the two doors are aligned at the top. Turn the lever toward UP (as marked) to raise the right-side door and turn it toward DOWN (as marked) to lower the door.
  - Lift the fridge door slightly to make alignment easier. The maximum adjustable height is 3 mm.
  - The lever will not turn past the maximum limit. It may make a noise if it is turned too far.
- Excessive height may interfere with the upper hinge cover of the fridge door.
- If you align the door height with the door bins empty and then store items in the bins, the heights may differ again. If this happens, follow the steps above to realign the doors.

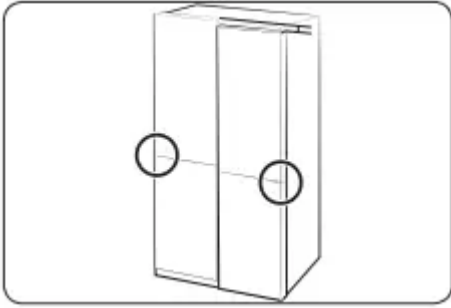
### Adjusting the height with the snap rings

For the models with the height lever on the right-side door of the fridge, use the snap rings only if you cannot align the doors with the height lever.

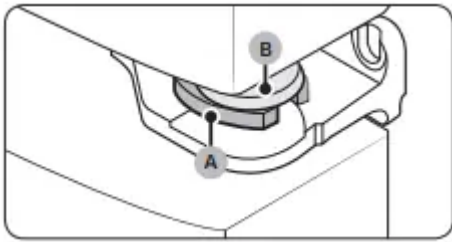


### NOTE

The height of a door can be adjusted using the provided snap rings, which come in 4 different sizes (1 mm, 1.5 mm, 2 mm, and 2.5 mm).



1. Check the height difference between the doors, and then lift up and hold the door with the lower height. A B



2. Insert a suitable-sized snap ring (A) between the door grommet (B) and the hinge as shown.

#### **CAUTION**

- Insert only one snap ring. If you insert two or more snap rings, the rings may slip out or make a rubbing noise.
- Keep the snap rings out of children's reach and keep them for future use.
- Do not raise the door too much. The door can contact and damage the top cover.

#### **STEP 6 Connect the water dispenser line**

A water dispenser with a filter is one of the helpful features on your new refrigerator. To help promote better health, the water filter removes unwanted particles from your water. However, it does not sterilize or destroy microorganisms. You may need to purchase a water purifying system to do that.

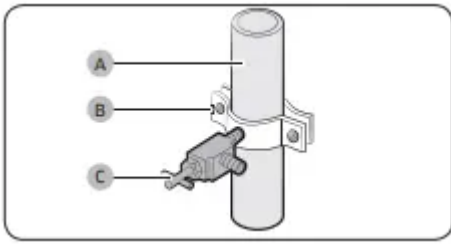
The water line also connects to the ice maker. For the ice maker to operate properly, water pressure must be between 20 and 125 psi (138 and 862 kPa).

If the refrigerator is installed in an area with low water pressure (below 20 psi / 138 kPa), you can install a booster pump to compensate for the low pressure.

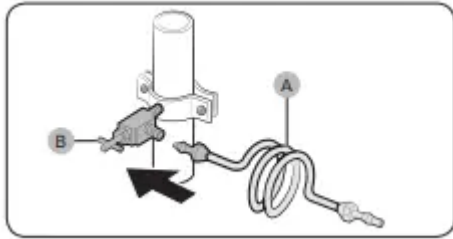
After you have connected the water line, check if the water dispenser works properly. Press the water dispenser lever until the water runs from the water outlet.

#### **NOTE**

Water line installation kits are available at extra cost from your retailer. We recommend using a water line installation kit that contains copper tubing and a 1/4" (6 mm) compression nut.



1. Shut off the main water source.
2. Insert the pipe clamp (B) and the shutoff valve (C) into the cold water line (A). A B

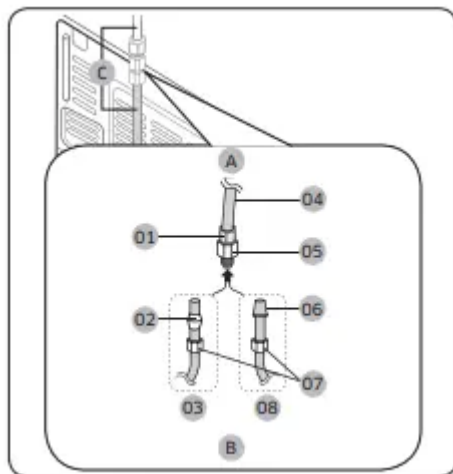


3. Connect the water line installation kit (A) to the shutoff valve (B).

### Connect the water supply line to the refrigerator

There are several items you must purchase to complete this connection. You may find these items sold as a kit at your local hardware store.

Copper Tubing	<ul style="list-style-type: none"> <li>• 1/4" copper tubing</li> <li>• 1/4" compression nut (1 pc)</li> <li>• Ferrule (2 pc)</li> </ul>
Plastic Tubing	<ul style="list-style-type: none"> <li>• 1/4" plastic tubing → Molded end (Bulb)</li> <li>• 1/4" compression nut (1 pc)</li> </ul>

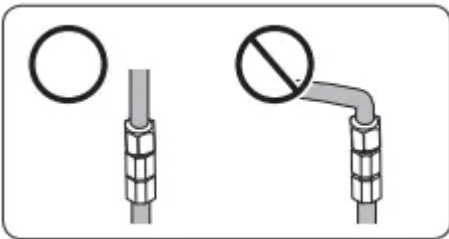


A. Refrigerator

B. Household water supply line

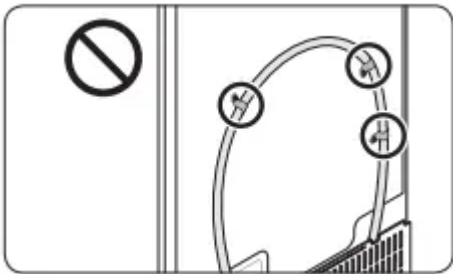
C. Water Line: must be kept straight.

1. Compression Nut (1/4") (Assembled)
2. Ferrule (Not supplied)
3. Copper tubing (Not supplied)
4. Plastic Tubing (Assembled)
5. Compression Fitting (Assembled)
6. Molded end (Bulb)
7. Compression nut (B) (1/4") (Not supplied)
8. Plastic Tubing (A) (Not supplied)



#### NOTE

If you have to relocate the refrigerator after connecting the water line (C), make sure the joined section of the water line is straight.



#### CAUTION

Do not mount the water filter on any part of the refrigerator. This may damage the refrigerator.

1. Connect the household water line to the assembled compression fitting.
  - If you are using copper tubing, slip the compression nut (B) (not supplied) and ferrule (not supplied) on the copper tubing (not supplied) as shown.
  - If you are using plastic tubing (A), insert the molded end (Bulb) of the plastic tubing (A) into the compression fitting.

#### CAUTION

- If you use plastic tubing (A), do not use it without the molded end (Bulb).

- Leaving the water line disconnected may cause the water valve to produce a buzzing sound over time. If this is the case, make sure that the ice making function is turned “OFF” and do not attempt to use the water dispenser.

2. Tighten the compression nut (B) onto the compression fitting. Do not over-tighten the compression nut (B).
3. Turn the water on and check for any leakage. If you find water drops or leakage in the connection areas, turn off the main water supply. Check the connections and, if necessary, tighten.
4. Flush 3 gallons of water through the filter before drinking or using the water from the refrigerator. (Flush approximately 5-6 minutes.) To flush, press a large glass or cup against the water dispenser lever. Fill the glass, empty it, and then repeat.
5. After you turn on the refrigerator, let the ice maker make ice for 1 to 2 days. Over that period of time, throw out the first 1 or 2 buckets of ice the ice maker makes to ensure all impurities have been removed from the water line.

#### **NOTE**

Only connect the water line to a potable water source.

- If you have to repair or disassemble the water line, cut off 1/4“ of the plastic tubing to make sure you get a snug, leak-free connection.
- You can test the water line quickly using a paper cup. Under normal conditions, the water dispenser can fill a 5 3/4 oz. (170 cc) cup in about 10 seconds.

#### **STEP 7 Initial settings**

By completing the following steps, the refrigerator should be fully functioning.

1. Plug the power cord into the wall socket to turn the refrigerator on.
2. Open the door, and check if the interior light lights up.
3. Set the temperature to the coldest setting, and wait for about an hour. Then, the freezer will be slightly chilled, and the motor should be running smoothly.
4. Wait until the refrigerator reaches the set temperature. Now the refrigerator is ready for use.

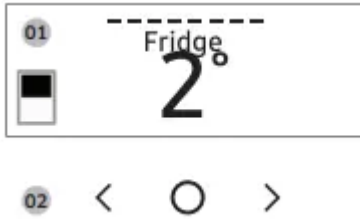
#### **STEP 8 Final check**

When installation is complete, confirm that:

- The refrigerator is plugged into an electrical outlet and grounded properly.
- The refrigerator is installed on a flat, level surface with a reasonable clearance from walls and cabinets.
- The refrigerator is level and is sitting firmly on the floor.
- The door opens and closes freely, and the interior light turns on automatically when you open the door.

# Operations

## Control panel



<b>01</b> Display	Displays the menu, settings, and other information.
<b>02</b> Buttons	<ul style="list-style-type: none"><li>• When the display is off, tap any button to wake up the display.</li><li>• Tap &lt; or &gt; to navigate left and right.</li><li>• Tap ○ to confirm your selection.</li><li>• Tap and hold ○ to enter the AP mode. (For more information, see the “SmartThings &gt; Getting started” section on page 46.)</li></ul>

### NOTE

- The control panel is designed to stay off when the refrigerator is not in use. It only becomes active and lights up when you open the door or tap the buttons.
- If the door is left open for 5 minutes, the internal light will blink for 5 minutes and turn off. It is to alert deaf and hard of hearing users that a door is open. Note that this function is normal.
- When you change the temperature on the panel, the panel displays the actual temperature inside the refrigerator until the temperature matches the temperature you set. Then, the panel displays the new set temperature. Note that it will take time for the refrigerator to reach the new temperature. It is normal. During this time, you need not set the temperature again.

### Using the control panel

1. Tap any button (<, ○, or >) to wake up the display.
2. Tap < or > to select the desired menu, and then tap ○ to confirm.
3. Tap < or > to select the desired setting, and then tap ○ to confirm.
  - For more information on available settings, see the Menu descriptions section.

### Menu descriptions

#### Fridge

- You can set the fridge temperature from 34 ~ 44 °F (1~7 °C) or set the Power Cool function.
- Power Cool speeds up the cooling process at maximum fan speed. The fridge keeps running at full speed for two and a half hours and then returns to the previous temperature.

## Freezer

- You can set the freezer temperature from -8 ~ 5 °F (-23 ~ -15 °C) or set the Power Freeze function.
- Power Freeze speeds up the freezing process at maximum fan speed. The freezer keeps running at full speed for 50 hours and then returns to the previous temperature. To freeze large amounts of food, activate Power Freeze for at least 20 hours before putting food in the freezer.

## FlexZone

- You can set the FlexZone mode from one of the following modes.
  - Freeze: The temperature sets to the same temperature as the freezer.
  - Soft Freeze: The temperature sets to 23 °F (-5 °C).
  - Meat/Fish: The temperature sets to 30 °F (-1 °C).
  - Fruit/Veggies: The temperature sets to 36 °F (2 °C).
  - Beverage: The temperature sets to 39 °F (4 °C).

## CAUTION

- Select the FlexZone mode accordingly to the type of food you store in there.
- Do not store meat or food in the FlexZone with the Fruit/ Veggies or Wine mode. Meat or food may spoil.
- Do not store glass bottles in the FlexZone in Freeze or Soft Freeze mode. They may break and cause physical injury

## Flex Crisper

- You can set the Flex Crisper mode from one of the following modes.
- Fridge: The temperature sets to the same temperature as the fridge.
- Meat/Fish: Select this mode to store meat and fish fresh. (We recommend setting the fridge temperature below 37 °F (3 °C) to store meat and fish fresher in the Flex Crisper)

## NOTE

Most meat and fish can be stored in the Flex Crisper for 3 to 5 days (with some exceptions for certain types). Store them in the freezer if you want to keep it longer than 5 days.

## AutoFill Pitcher \*

- You can set the AutoFill Pitcher mode from one of the following modes.
  - On: Set to fill your water pitcher automatically.
  - Off: Set to turn off the function.

## NOTE

You can put tea or fruit into the infuser to make infused tea or water. If you want to keep the infused water in its initial concentration, turn the AutoFill Pitcher function off. (For more information, see the Water pitcher (AutoFill Pitcher) (applicable models only) section on page 52.)

### **Cubed Ice \***

You can start or stop making cubed ice.

### **Ice Bites \***

You can start or stop making ice bites.

### **More Options**

You can change the settings for the following functions. Tap < or > to select the menu, and then tap to confirm.

UV Deodorizing Filter \*: You can turn the UV Deodorizing Filter on or off.

Peak Demand: You can turn the Peak Demand function on or off. (For more information on Peak Demand function, see the SMART

GRID Function (Demand Response) section on page 48.)

Filter Reset \*: When you get the filter replacement message on the display, select this menu, and replace the filter according to onscreen instructions.

Temp. Unit: You can set the temperature scale to Celsius or Fahrenheit.

Door Alarm: You can turn on or off the Door Alarm.

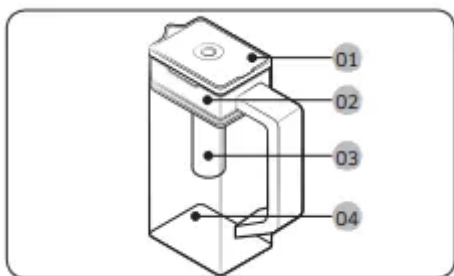
Wi-Fi Connect: You can turn on or off the Wi-Fi Connect. Turn it on to control and monitor your refrigerator on the SmartThings app. (For more information on SmartThings, see the SmartThings section on page 45.)

\* applicable models only

## **Special features**

### **Water pitcher (AutoFill Pitcher) (applicable models only)**

Cold, purified water is always ready in the AutoFill Pitcher. You can put tea or fruits in the infuser to enjoy the various infused water you like.



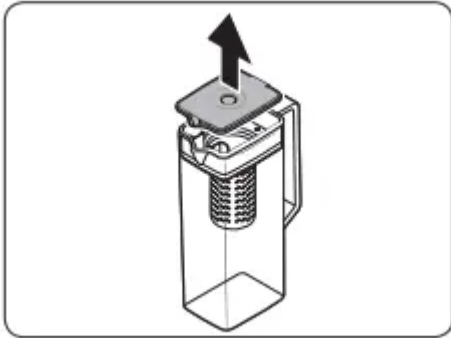
01 Lid

02 Infuser holder

03 Infuser

04 Body

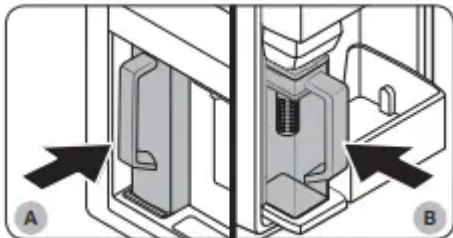
### To fill the Water pitcher



1. Grasp a handle groove of the lid, and then pull up to open the lid.
2. Put tea leaves or fruit to your taste into the infuser.

### NOTE

If you want to keep the infused water in its initial concentration, turn the AutoFill Pitcher function off.



A. Type A models

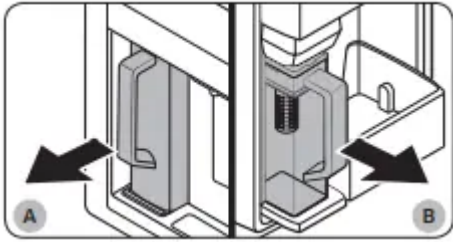
B. Type B models

3. Enable the AutoFill Pitcher function on the control panel. Open the Beverage Center door (Type A) or the left door of the fridge (Type B), and then mount the water pitcher onto the holder. Push it straight in as shown in the figure.

### CAUTION

Make sure the water pitcher fits in the water pitcher holder.

4. Close the door. The water pitcher will start to fill with chilled water a short time later. A B A. Type A models B. Type B models



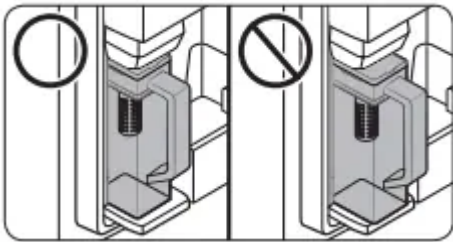
A. Type A models

B. Type B models

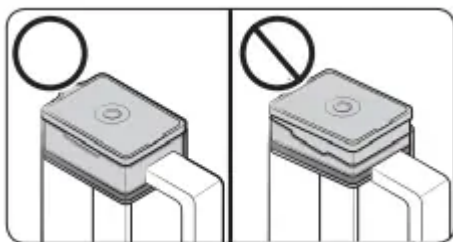
5. To drink tea, open the Beverage Center door (Type A) or the left door of the fridge (Type B), and then detach the water pitcher. Pull it straight out.

### CAUTION

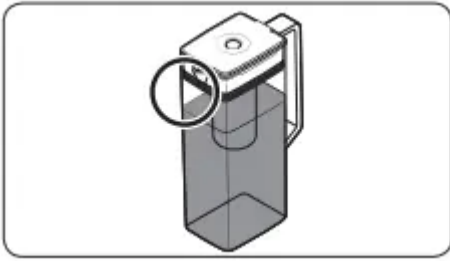
- We recommend consuming fruit infused water within 24 hours. After that, the infused water can spoil over time.
- You must clean the water pitcher after you have consumed the infused water. Also clean the water pitcher if you haven't used it for a long time.



- To prevent the water pitcher from tipping over or leaking, make sure the water pitcher fits in the water pitcher holder.

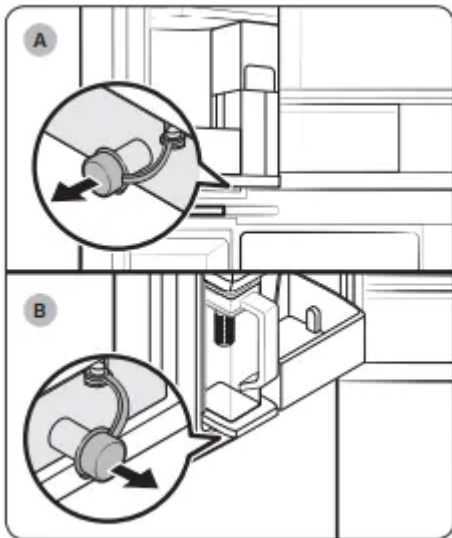


- To prevent the water pitcher from spilling over or leaking, make sure the infuser holder is properly inserted.



## NOTE

- If the front side (specifically marked area) of the water pitcher has too much moisture, the water pitcher may not fully fill. Remove the moisture, and then try again.
- AutoFill Pitcher function will stop supplying water to the water pitcher if the water pitcher does not fill after a certain amount of time. If this happens, check if the water line is properly connected. Remove and reinsert the water pitcher, and then try again.



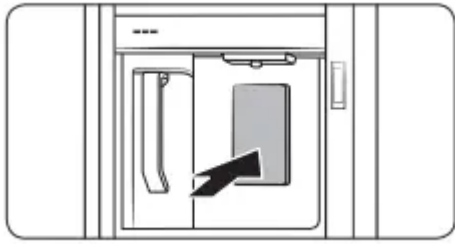
A. Type A models

B. Type B models

## NOTE

- Wipe around the water pitcher holder if the water pitcher overflows or leaks.
- Water drops off if the rubber cap is opened.
- An alert message appears on the control panel if there is a leak. In case of a leak, open the rubber cap so that the leaked water drains. If the alert message does not disappear after draining, there might be a system failure. Contact your local Samsung service center.

## Water dispenser (applicable models only)



To dispense chilled water, open the Beverage Center and press the dispenser lever.

#### **NOTE**

- The dispenser will stop dispensing if you keep pushing the dispenser lever for about 1 minute. To dispense more water, release and push the lever again.
- Make sure the glass is in line with the dispenser to prevent the dispensed water from spilling out.
- If you do not use the water dispenser for 2-3 days, the dispensed water may have an abnormal smell or taste. This is not a system failure. Discard the first 1-2 glasses of water.

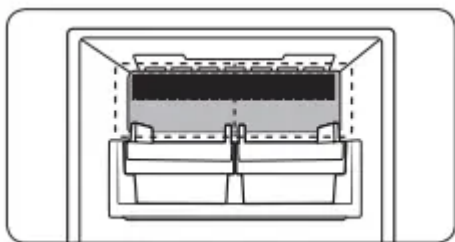
#### **Water clouding**

Water supplied to the refrigerator flows through a core alkaline filter. During this filtering process, the water pressure of the water increases and the water becomes saturated with oxygen and nitrogen. This causes the water to look misty or cloudy temporarily when dispensed. This is normal and the water will look clear after a few seconds.

#### **Ice maker**

The refrigerator has a built-in ice maker that automatically dispenses ice.

- The overall design and/or accessories may differ with the model.



- This product has two types of ice makers.

#### **Ice making**

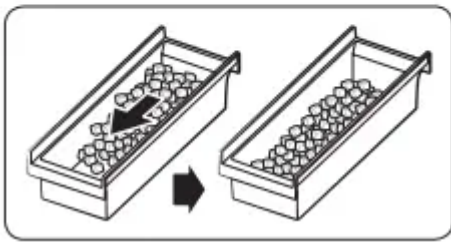
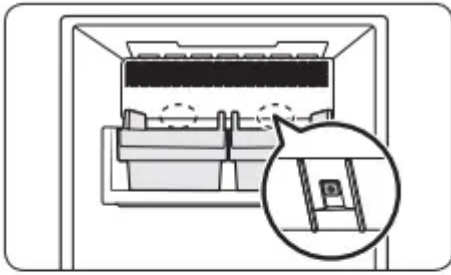
After you have installed your refrigerator and plugged it in, follow these instructions to ensure proper ice making and to keep the ice bucket full of ice.

#### **For first-time use**

- Let the ice maker make ice for 1-2 days.

- Discard the first 1-2 buckets of ice to remove impurities in the water supply system.

## Diagnosis



- The overall design and/or accessories may differ with the model.
- If ice does not dispense, first check the status of ice maker using the Test button on the bottom of the ice maker.
- Press the Test button on the bottom of the ice maker. You will hear a chime (ding-dong) when you press the button. You will hear another chime if the ice maker is operating properly.
- Ice accumulating on one side of the tray is normal. Arrange the ice evenly in the tray to store more ice.

## CAUTION

- Leaving the water line disconnected may cause the water valve to produce a buzzing sound over time. If this is the case, make sure to turn the ice making function (Cubed Ice / Ice Bites ) off.
- If the ice making chime rings repeatedly, contact the waterline installer or a local Samsung service center.
- Do not put food in the ice bucket. The frozen food may damage the ice maker, especially when you open or close the door.
- When the refrigerator recovers power after a power failure, the ice bucket may contain a mix of melted and jammed ice cubes, which can prevent the ice maker from working properly. To prevent this, make sure to empty the ice bucket before using the refrigerator.
- Do not put fingers or any objects into the ice maker. This can cause physical injury or property damage.

- Due to sublimation, ice stored in the freezer for a long time gets smaller and then forms large ice chunks. Therefore, if it will be a long time before you use ice, turn the ice maker off as follows.
- Use the new hose-sets supplied with the appliance only. Do not re-use an old hose set

## Maintenance

### Handling and care

#### Ice bucket (applicable models only)

If you do not dispense ice for an extended period, ice may form clumps inside the bucket.

If this happens, remove and empty the ice bucket.

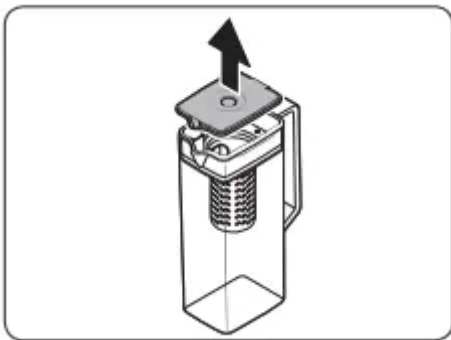
#### CAUTION

- To prevent injury, make sure to clean up any ice or water that has fallen on the floor.
- To prevent accidents or injury, do not let children play with the water dispenser or the ice maker.
- Use only the provided ice bucket. Third-party ice buckets may cause a system failure.

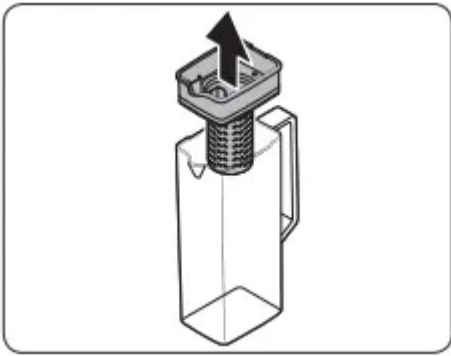
#### NOTE

- The water pressure required for ice making is between 20 psi and 125 psi (138 and 862 kPa).
- Noise from the ice maker as it produces ice during the ice making process is normal.

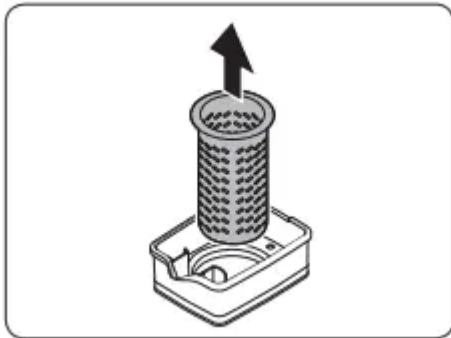
#### AutoFill Pitcher (applicable models only)



1. Grasp a handle groove of the lid, and then pull up to remove.



2. Grasp both sides of the infuser holder, and then lift to remove.



3. While slightly twisting the infuser, pull it out of the sealed mouth.

4. Clean the infuser with neutral agents and running water. Rinse and dry well.

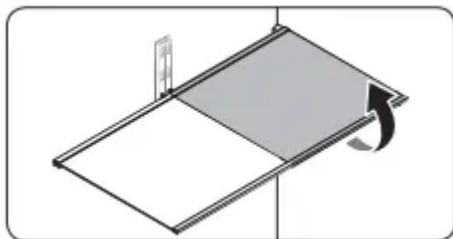
5. Reassemble the AutoFill Pitcher in the reverse order of disassembly.

### **CAUTION**

The water pitcher and lid are not dishwasher and microwave safe and can melt or deform if exposed to heat (including hot water). Please hand wash in cool or warm water as needed.

### **Fridge shelves**

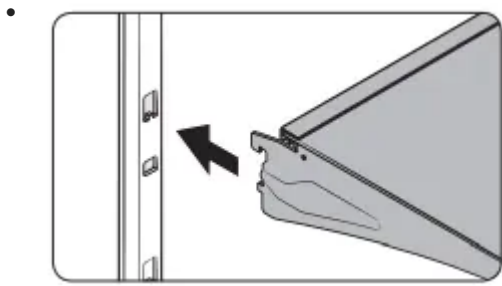
The appearance of the shelves differs by model.



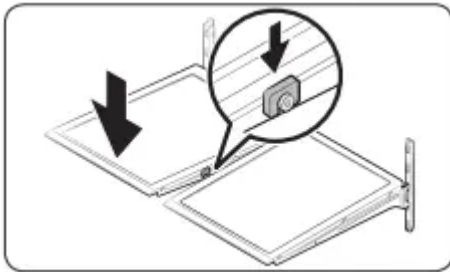
- To remove a shelf, fully open the corresponding door. Hold the front of the shelf, and then gently lift up and pull out.

### **NOTE**

Do not lift up the shelf fully when removing or reinserting the shelf. The rear wall of the fridge room can be dented.



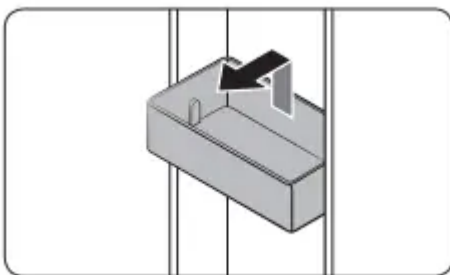
To reinsert, hold the shelf at an angle so the front is higher than the back, and then insert the top hook into the top shelf notch. Then, lower the shelf and insert the bottom shelf hook into the bottom shelf notch.



#### CAUTION

- The tempered glass shelves are heavy. Use caution when removing them.
- The shelf must be inserted correctly. Do not insert upside down.
- Glass containers may scratch the surface of glass shelves.

#### Door bins



- To remove the door bin, hold the front sides of the bin, and then gently lift up to remove.
- To reinsert, insert the door bin slightly above its final location making sure that the back of the bin is against the door. Hold the rear of the door bin with both hands, and then press down so that it fits snugly.

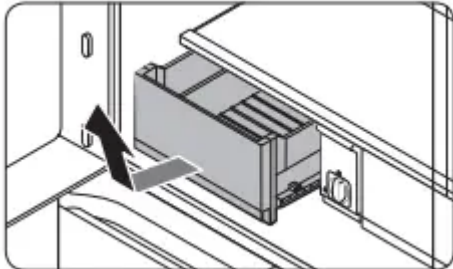
#### CAUTION

- Do not remove a bin that is filled with food. Empty the bin beforehand.

- Use caution when opening the door if the bottom bin contains larger bottles, which may fall over.
- Do not allow children to play with the bins. Sharp corners of the bin may cause injury.

## Fridge drawers

Crisper+ / Flex Crisper



Gently lift up the front of the drawer and slide out.

- We recommend that you remove the door bins before removing the drawer. This is to prevent damage to the door bins.
- To reinsert, insert the drawer into the frame rails and then slide inward.

## Cleaning

### Interior and exterior

#### WARNING

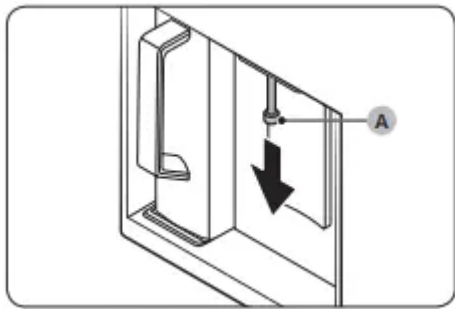
Do not use benzene, thinner, home/car detergent, or Clorox™ to clean the refrigerator. They may damage the surface of the refrigerator and cause a fire.

Do not spray water onto the refrigerator. This may cause electric shock.

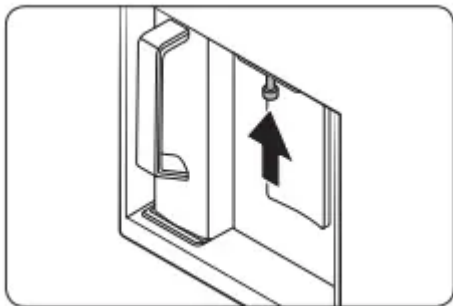
Regularly use a dry cloth to remove all foreign substances such as dust or water from the power plug terminals and contact points.

1. Unplug the power cord.
2. Use a moistened, soft, lint-free cloth or paper towel to clean the refrigerator's interior and exterior.
3. When done, use a dry cloth or paper towel to dry well.
4. Plug in the power cord.

### Dispenser cock (applicable models only) A



1. Hold the end of the dispenser cock (A).
2. While turning the dispenser cock (A) left, pull it down to remove it from the dispenser.



3. Clean the dispenser cock thoroughly, and then assemble it back.

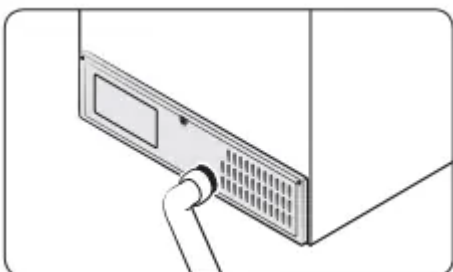
### **CAUTION**

- Fully insert the dispenser cock, so it is back to its original position.
- Do not use a scrub with rough textures for cleaning the dispenser cock.

### **Rubber seals**

If the rubber seals of a door become dirty, the door may not close properly and reducing refrigerator performance and efficiency. Use a mild detergent and damp cloth to clean the rubber seals. Then, dry well with a cloth.

### **Rear panel**



To keep cords and exposed parts of the rear panel free of dirt, vacuum the panel once or twice a year.

### **CAUTION**

Do not remove the rear panel cover. Electric shock may occur.

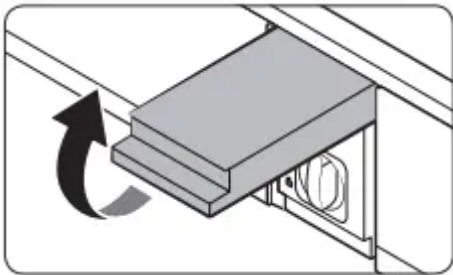
## Replacement

### Water filter

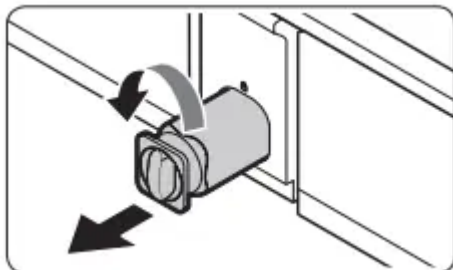
#### WARNING

- Do not use third-party water filters. Use only Samsung-provided or -approved filters.
- Unapproved filters may leak and damage the refrigerator, causing electric shock.
- Samsung is not responsible for any damage that may occur from use of third-party water filters.

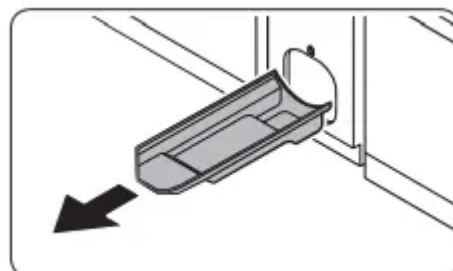
The “Replace water filter” message appears on the control panel to let you know it is time to replace



1. Shut off the water supply line.
2. Open the filter cartridge cover.



3. Turn the knob of the filter cartridge counter clockwise 90 degrees (1/4 turn). The filter cartridge unlocks.



4. Pull out to remove the cartridge.

- If the water filter is severely contaminated, the cartridge may not be easy to remove. If that is the case, use force to remove the cartridge.
- To prevent water leaks from the filter opening, pull the cartridge straight out while removing it.

5. Insert a new filter cartridge. Use only Samsung-provided or approved filters.



6. Turn the cartridge knob clockwise to lock into place.

7. Close the filter cartridge cover.

8. On the control panel, go to More Options, and then run Filter Reset.

#### **NOTE**

- A newly installed filter may cause the water dispenser to spurt water briefly. This is because air has entered the waterline.
- The replacement process may cause the water dispenser to drip for a short period of time. If it drips, simply wipe up any water on the floor with a dry towel.

#### **Reverse osmosis water filtration system**

The water pressure of the water supply system to a reverse osmosis water filtration system must be between 35 psi and 120 psi (241 kPa and 827 kPa).

The water pressure of the reverse osmosis water filtration system to the refrigerator's cold water line must be at least 40 psi (276 kPa). If the water pressure is below these specifications:

- Check if the sediment filter in the reverse osmosis system is blocked. Replace the filter if necessary.
- Refill the water tank in the reverse osmosis system with water.
- If your refrigerator has a water filter, it may further reduce the water pressure when used in conjunction with a reverse osmosis system. Remove the water filter.

For more information or servicing, contact a licensed plumbing professional.

#### **Ordering a new filter**

To purchase a new water filter, contact a local Samsung service center or visit [www.samsungparts.com](http://www.samsungparts.com) on the web.

## LED Lamps

To replace the lamps of the refrigerator, contact a local Samsung service center.

## WARNING

The lamps are not user-serviceable. Do not attempt to replace a lamp yourself. This can cause electric shock.

## Door panel (applicable models only)

You can select the door panel you prefer for your BESPOKE refrigerator. Purchase the door panel at a Samsung retail store and an authorized installer will install the panel for you.

## CAUTION

- Disassembling or assembling the door panel on your own may result in product damage or personal injury. If you find any problems with the door panel, contact a Samsung service center
- A service fee may be charged for panel replacement even within the warranty period

## Troubleshooting

Before calling for service, review the symptoms and recommended solutions below. If none of the suggested solutions resolve your problem, please visit our website at [www.samsung.com](http://www.samsung.com) or call Samsung Customer Care at 1-800-SAMSUNG (726-7864). Note that you will be charged for any service visits in which no defects were found

### **Fridge/freezer does not operate. Fridge/freezer temperature is warm.**

- Power cord is not plugged in properly.
  - Properly plug in the power cord.
- Temperature control is not set correctly.
  - Set the temperature lower.
- Refrigerator is located near a heat source or direct sunlight.
  - Keep the refrigerator away from direct sunlight or a heat source.
- Not enough clearance between refrigerator and nearby walls or cabinets.
  - Make sure there is a gap of at least 2.5 inches (5 cm) between the refrigerator back and sides and any nearby walls or cabinets.
- Energy Saver mode is activated.
  - Deactivate Energy Saver mode.
- The refrigerator is overloaded. Food is blocking the refrigerator vents.
  - Do not overload the refrigerator. Do not allow food to block vents.

**Fridge/freezer is over-cooling.**

- Temperature control is not set correctly.
  - Set the temperature higher

**Interior wall is hot.**

- Refrigerator has heat-proof piping in the interior wall.
  - To prevent condensation from forming, the refrigerator has heat-proof piping in the front corners. If the ambient temperature rises, this equipment may not work effectively. This is not a system failure.

**Refrigerator has odors.**

- Spoiled food.
  - Clean the refrigerator and remove any spoiled food.
- Food with strong odors.
  - Make sure strong smelling food is wrapped airtight.

**Frost around the vents.**

- Food is blocking the vents.
  - Make sure no food blocks the refrigerator vents. Frost on interior walls.

**Frost on interior walls.**

- Door is not closed properly.
  - Make sure food does not block the door. Clean the door gasket

**Fruits or vegetables are frozen.**

- Fruits or vegetables are stored in the FlexZone.
  - Do not store most kinds of fruit or vegetables in the FlexZone.

**Condensation forms on the interior walls.**

- If door is left open, moisture enters the refrigerator.
  - Remove the moisture and do not leave a door open for extended periods of time.
- Food with high moisture content.
  - Make sure food is wrapped airtight.

**Water flow is weaker than normal.**

- Water pressure is too low.
  - Make sure the water pressure is between 30 to 120 psi (206 to 827 kPa).

**Ice maker makes a buzzing sound.**

- The ice maker function is activated, but the water supply to the refrigerator has not been connected.

- Press Ice Maker.

**Ice maker does not make ice.**

- Ice maker has just been installed.

- You must wait for 12 hours for the refrigerator to make ice.

- Freezer temperature is too high.

- Set the freezer temperature below 0 °F (-18 °C) or -4 °F (-20 °C) in warm ambient air.

- Dispenser panel Lock is activated.

- Deactivate dispenser panel Lock.

- Ice maker is off.

- Turn on the ice maker.

**Ice does not dispense.**

- Ice may jam if the ice dispenser is not used for a long time (approx. 3 weeks).

- If you won't be using the refrigerator for a long time, empty the ice bucket and turn off the ice maker.

- Ice bucket is not properly inserted.

- Make sure the ice bucket is properly inserted.

- Water line is not connected properly or water supply is not on.

- Check if the water line is installed correctly. Check if the water line stop cock is closed.

**Water does not dispense.**

- Water line is not connected properly or water supply is not on.

- Check if the water line is installed correctly. Check if the water line stop cock is closed.

- Dispenser panel Lock is activated.

- Deactivate dispenser panel Lock.

- A third-party water filter was installed.

- Use only Samsung-provided or approved filters.

- Unapproved filters may leak and damage the refrigerator.

- Water filter indicator turns on or blinks.

- Replace the water filter. After replacing, reset the filter indicator sensor.

**These sounds are normal.**

- When starting or ending an operation, the refrigerator may make sounds similar to a car engine ignition. As the operation stabilizes, the sounds will decrease.
- While the fan is operating, these sounds may occur. When the refrigerator reaches the set temperature, the fan sound will stop.
  - During a defrost cycle, water may drip on the defrost heater, causing sizzling sounds.
- As the refrigerator cools or freezes, refrigerant gas moves through sealed pipes, causing bubbling sounds.
- As the refrigerator temperature increases or decreases, plastic parts contract and expand, creating knocking noises. These noises occur during the defrosting cycle or when electronic parts are working
- For ice maker models: When the water valve opens to fill the ice maker, you may hear a buzzing sound.
- Due to pressure equalizing when you open and close the refrigerator door, you may hear a whooshing sound.

#### **Could not find “Samsung Smart Home” in the app market.**

The SmartThings app is not available for some tablet and iPad and some smartphone.

- support that [Android] OS 6.0 or higher(minimum 2GB RAM Size)
- support that [iOS]10.0 or higher/iPhone6 or higher.

#### **The Samsung Smart Home app fails to operate.**

- The Samsung Smart Home app is available for applicable models only.
- The old Samsung Smart Refrigerator app cannot connect with Samsung Smart Home models.

#### **The Samsung Smart Home app is installed but is not connected to my refrigerator.**

- You must log into your Samsung account to use the app.
- Make sure that your router is operating normally.
- If the Wi-Fi icon on the refrigerator’s display is off, this indicates that no network connection has been established yet. In this case, use the Samsung Smart Home app to connect and register your refrigerator to the access point (AP/Router) in your home.

#### **Could not log into the app.**

- You must log into your Samsung account to use the app.
- If you don’t have a Samsung account, follow the app’s onscreen instructions to create one.

#### **An information message appears when I try to register my refrigerator.**

- Easy Connection may fail due to the distance from your access point (AP) or electrical interference from the surrounding environment. Wait a moment and try again.

**The Samsung Smart Home app is successfully connected to my refrigerator but does not run.**

- Exit and restart the Samsung Smart Home app or disconnect and reconnect the router.
- Power off the refrigerator, and then power it on again after 1 minute.

**Warning**

This content is compiled from multiple sources and is provided for reference purposes only. It may not be complete or fully applicable to all situations. If you are unable to resolve your issue, please contact the product manufacturer or an authorized service provider for official support.

