

Warnings



This appliance is suitable for cleaning under running tap water. Detach the appliance from the power supply before cleaning it with water

This appliance is provided with a special cord set, which has an integrated Safety Extra Low Voltage power supply. Do not exchange or tamper with any part of it, otherwise, there is risk of an electric shock.

Only use the special cord set provided with your appliance.



If the appliance is marked 492, you can use it with any Braun power supply coded 492-XXXX.

Do not use the appliance with a damaged foil, trimmer, or cord.

This appliance can be used by children aged from 8 years and above and persons with reduced physical, sensory or mental capabilities or lack of experience and knowledge if they have been given supervision or instruction concerning the safe use of the appliance and understand the hazards involved. Children should not play with the appliance. Cleaning and user maintenance should not be made by children unless they are older than 8 years and supervised.

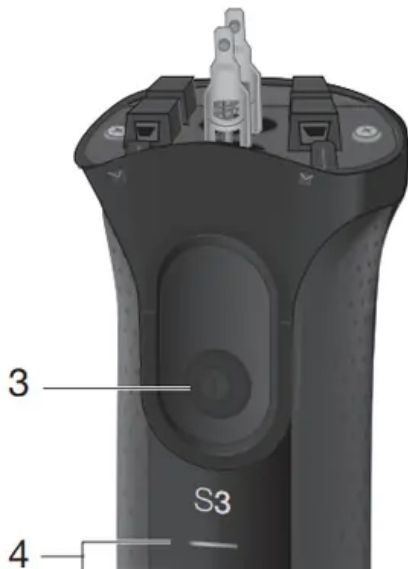
Description

1. Foil & Cutter cassette
2. Long hair trimmer*
3. On/off switch
4. Green charging light(s)
5. Red low-charge light
6. Replacement light for shaving parts
7. Shaver power socket
8. Special cord set (design can differ)
9. Protection cap
10. Beard trimmer head with 5 combs (BT32)*

* not with all models



3030s
3020s



3030s
3020s
3000s
3000BT





Charging

Recommended ambient temperature for charging is 5 °C to 35 °C. The battery may not charge properly or at all under extreme low or high temperatures. Recommended ambient temperature for shaving is 15 °C to 35 °C. Do not expose the shaver to temperatures higher than 50 °C for extended periods of time.

- Using the special cord set (8), connect the shaver to an electrical outlet with the motor switched off.
- When charging for the first time or when the shaver is not used for a few months, leave the shaver to charge continuously for 4 hours.
- Once the shaver is completely charged, discharge the shaver through normal use. Then recharge to full capacity. Subsequent charges will take about 1 hour.
- A full charge provides up to 45 minutes of cordless shaving time depending on your beard growth. Maximum battery capacity will only be reached after several charging/ discharging cycles.
- 5-minute quick charge is sufficient for a shave.
- If the rechargeable batteries are discharged, you may also shave by connecting the shaver to an electrical outlet via the special cord set.

Charging light(s) (4)

The green charging light shows the charge status of the batteries.

The green charging light blinks when the shaver is being charged or switched on.

When the battery is fully charged, all green charging lights shine permanently, provided the shaver is connected to an electrical outlet.

Low-charge light (5)

The red low-charge light flashes when the battery is running low. You should be able to finish your shave.

Shaving

Press the on/off switch (3) to operate the shaver.

The flexible shaving foils automatically adjust to every contour of your face.

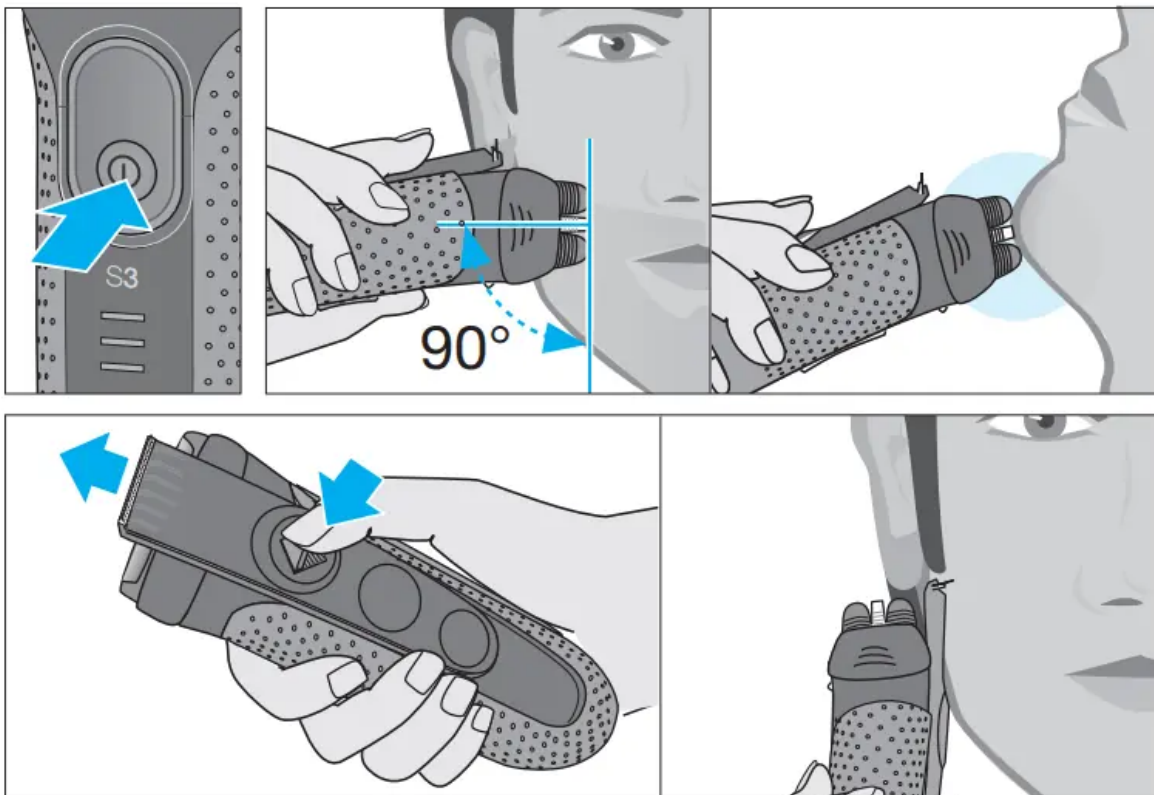
Long hair trimmer (2)

To trim sideburns, moustache or beard, slide the long hair trimmer upwards.

Tips for a perfect dry shave

For best results, Braun recommends you follow 3 simple steps:

1. Always shave before washing your face.
2. At all times, hold the shaver at right angles (90°) to your skin.
3. Stretch your skin and shave against the direction of your beard growth.



Cleaning

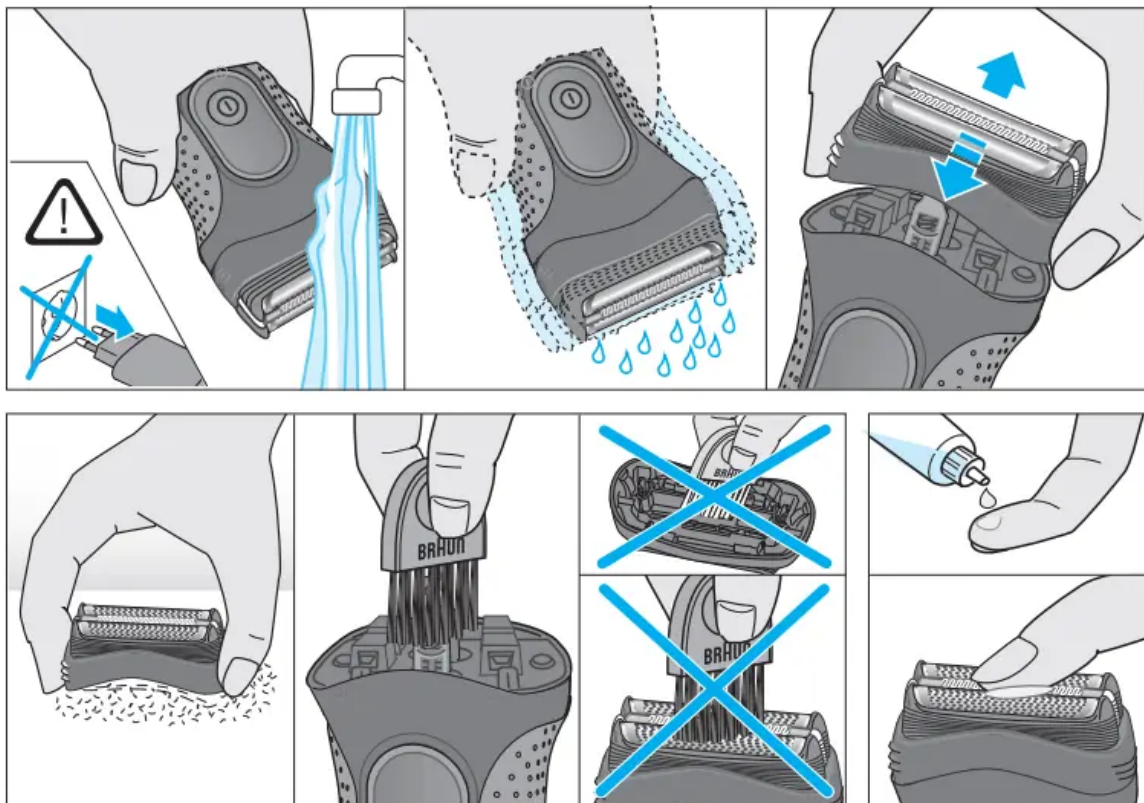
Regular cleaning ensures better shaving performance.

Cleaning under running water:

- Switch the shaver on (cordless) and rinse the shaver head under hot running water until all residues have been removed. You may use liquid soap without abrasive substances. Rinse off all foam and let the shaver run for a few more seconds.
- Next, switch off the shaver, remove the Foil & Cutter cassette (1) and let it dry.
- If you regularly clean the shaver under water, then once a week apply a drop of light machine oil (not included) onto the long hair trimmer (2) and Foil & Cutter cassette (1).

Cleaning with a brush:

- Switch off the shaver. Remove the Foil & Cutter cassette and tap it out on a flat surface.
- Using a brush, clean the inner area of the shaver head. However, do not clean the Foil & Cutter cassette with a brush as this may damage it.



Keeping your shaver in top shape

Replacement light for shaving parts / Reset

To maintain 100% shaving performance, replace the Foil & Cutter cassette (1), when the replacement light for shaving parts (6) comes on after about 18 months or when worn.

The replacement light will remind you during the next 7 shaves to replace the Foil & Cutter cassette. Then the shaver will automatically reset. After you have replaced the Foil & Cutter cassette (1), press the on/off switch (3) for at least 5 seconds to reset the counter.

While doing so, the replacement light blinks and goes off when the reset is complete. The manual reset can be done at any time.

Preserving the batteries

In order to maintain the optimum capacity of the rechargeable batteries, the shaver has to be fully discharged by shaving every 6 months approximately. Then recharge the shaver to full capacity

Warning

This content is compiled from multiple sources and is provided for reference purposes only. It may not be complete or fully applicable to all situations. If you are unable to resolve your issue, please contact the product manufacturer or an authorized service provider for official support.