

FUNCTIONS & FEATURES

- When Sauna box heats up to 55°C (131°F), FIR materials emits, 95% of its energy.
- It takes 5 minutes to reach 55°C (131°F) constant temperature.
- Low cost to operate.
- Depending on individual , the volume of perspiration can be 500 cc. with 10 minutes use.
- Only a minute to set up or to close down. No mess to clean up. Just wipe with a damp cloth.
- Light weight only 10-11Kgs. Dry and portable. Suitable to use anywhere.

FEATURES:

- Easy Access Sit-in Steam Sauna Design
- Compact Spa Size Perfect for In-Home Use
- Detoxifying & Soothing Infrared Heated Body Therapy
- Portable, Personal Home Sauna Style
- High-Powered Heating Element
- Includes Foldable Chair for Comfortable Seating
- Energy & Power Efficient Design, Low-cost Heating Sauna
- Convenient Hand Access Zippers for Book/Magazine Reading
- Wired Controller For Timer & Auto Heat Setting
- Integrated Foot Pad Heating Mat
- Used For Personal Health, Detox, Weight Loss, Fatigue & Stress Relief

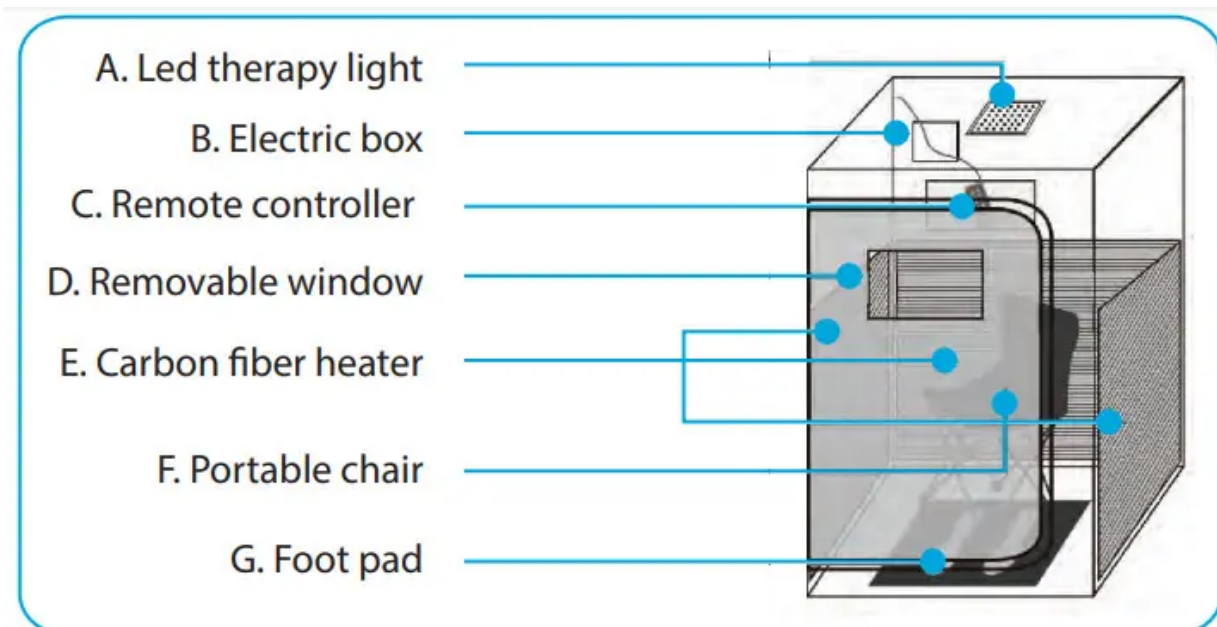
WHAT'S IN THE BOX:

- Home Sauna Tent
- Foldable Chair
- Heated Foot Pad

TECHNICAL SPECS

- Power Output: 1300 Watt
- Steam Sauna Heating Element: Carbon Fiber Heating Panels
- Maximum Temperature Reached: 140° Fahrenheit (60° Celsius)

- Adjustable Time Setting: Up To 60 Minutes
- Construction Materials: Oxford Fabric, Aluminium Insulated Film, Metal Alloy Frame
- Power Cord Length: 5.3' ft.
- Power Supply: 120V
- Total Assembled Sauna Size (L x W x H): 35.4" x35.4" x70.9" -inches



- **A-** Led therapy light
- **B-** Electric box
- **C-** Rememote controller
- **D-** Removable window
- **E-** Carbon fiber heater
- **F-** Portable chair
- **G-** Foot pad

HOW TO ASSEMBLE

Please keep away from sharp objects that may damage the unit when handing the set up or close down of the sauna equipment.

1. Unfold both side-walls of the FIR Sauna box to let it stand upright.
2. Close the zipper from the bottom of the back-wall to the front end, and place the foam floor cushion in place, with the glossy side facing upward.
3. The wired foot pad, with its footprint facing upward, should then be placed on the cushion the front near the front end.
4. Put the folding chair on the rear part of the cushion. The unit is ready for use.

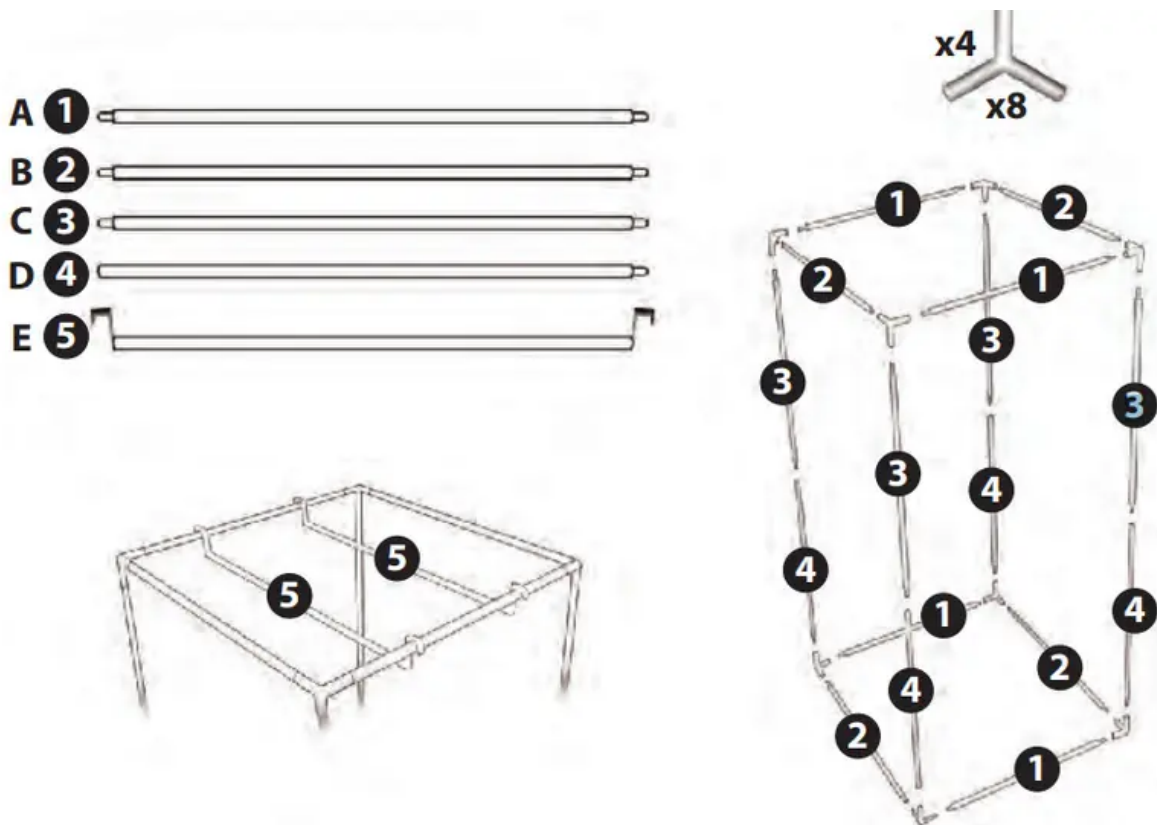
- Please note that while handling the setup of close down, always keep away from sharp objects that may damage the unit. Reverse the procedures outlined above for setting up if packing the sauna away

INSTALLATION PROCEDURES

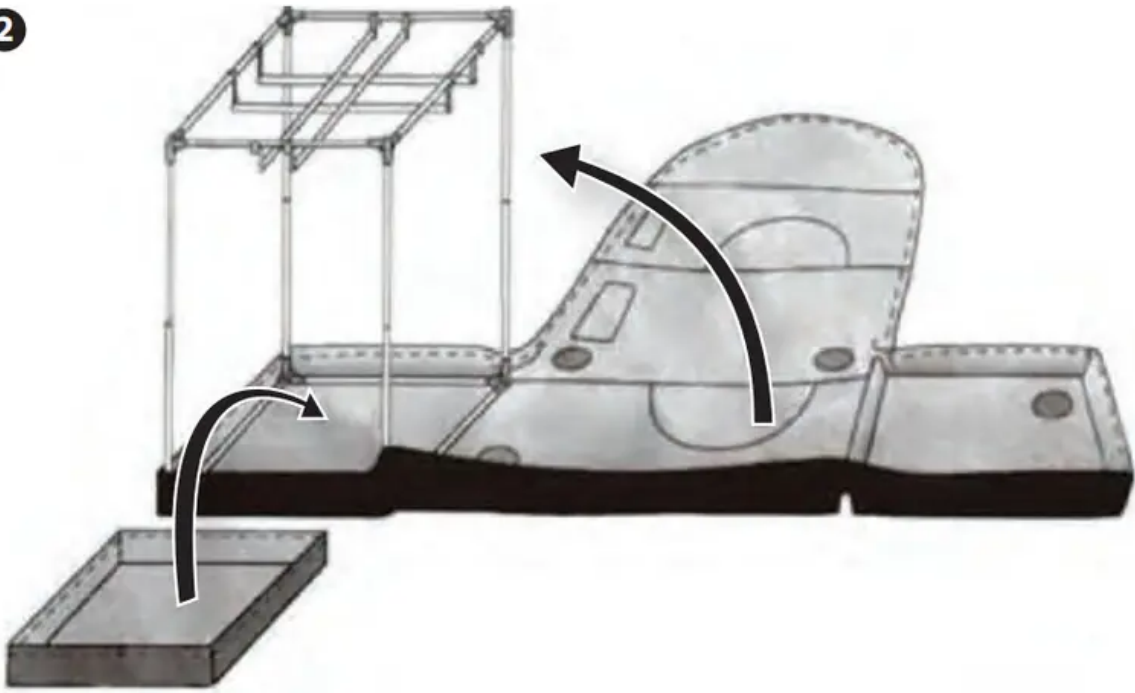
- To open the Sauna Box, put the PE-foam on the bottom and lay the folding chair in the housing. Build the Sauna Box inside the wall to keep it standing.
- Plug the power cord into the power socket.
- Using the Hand-held controller to set up the time and temp.
- It is suggested that pre-heat the Sauna Box and the foot pad for five minutes. Use of the footpad depends on individual preference.
- When all the time and temp has been set up, a suggestion is to drink a cup of 300-500 cc's of water. Then sit in the Sauna, close the zipper and relax.
- After using the Sauna, unplug and pull out the power cord.

ASSEMBLY INSTRUCTIONS

- Connect the sauna tent framework ensuring that the poles are seated properly in the corner connectors. It may be necessary to gently twist the poles back and forth until the connection tabs pop-out and lock into place.



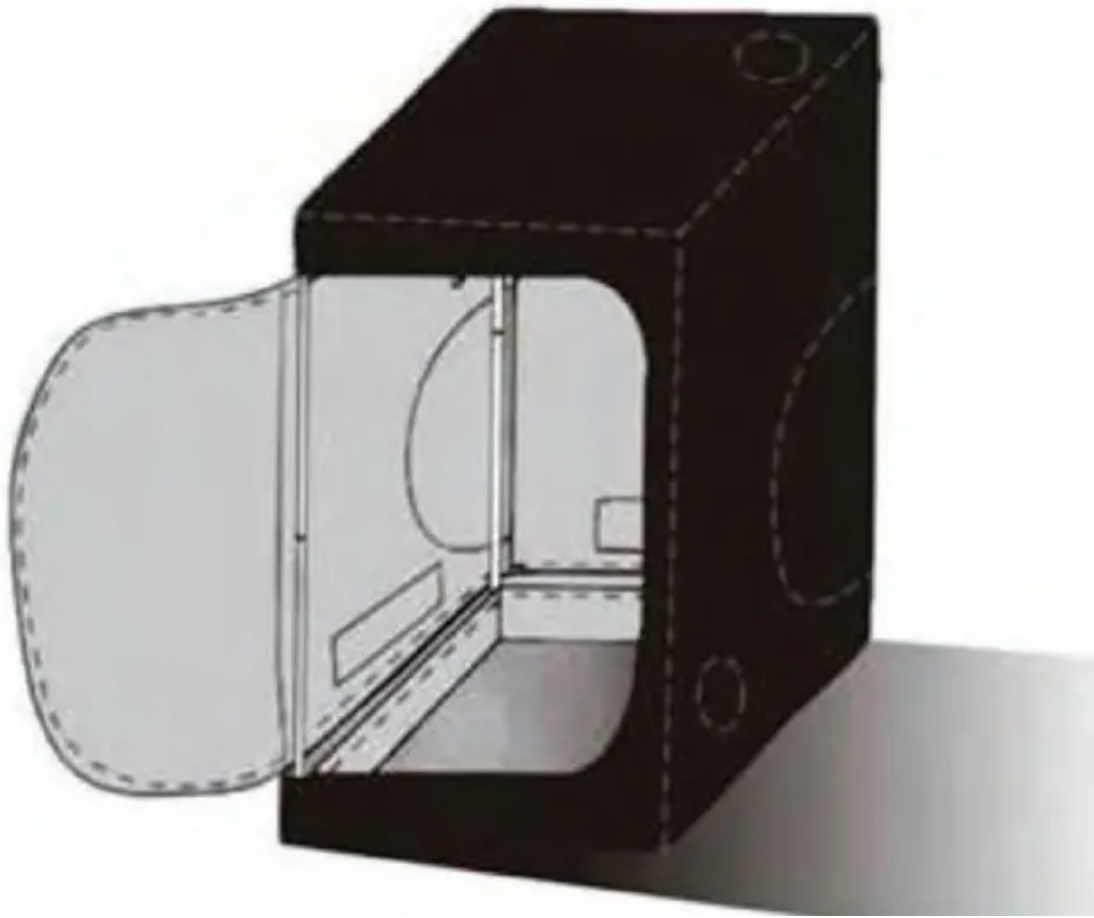
2

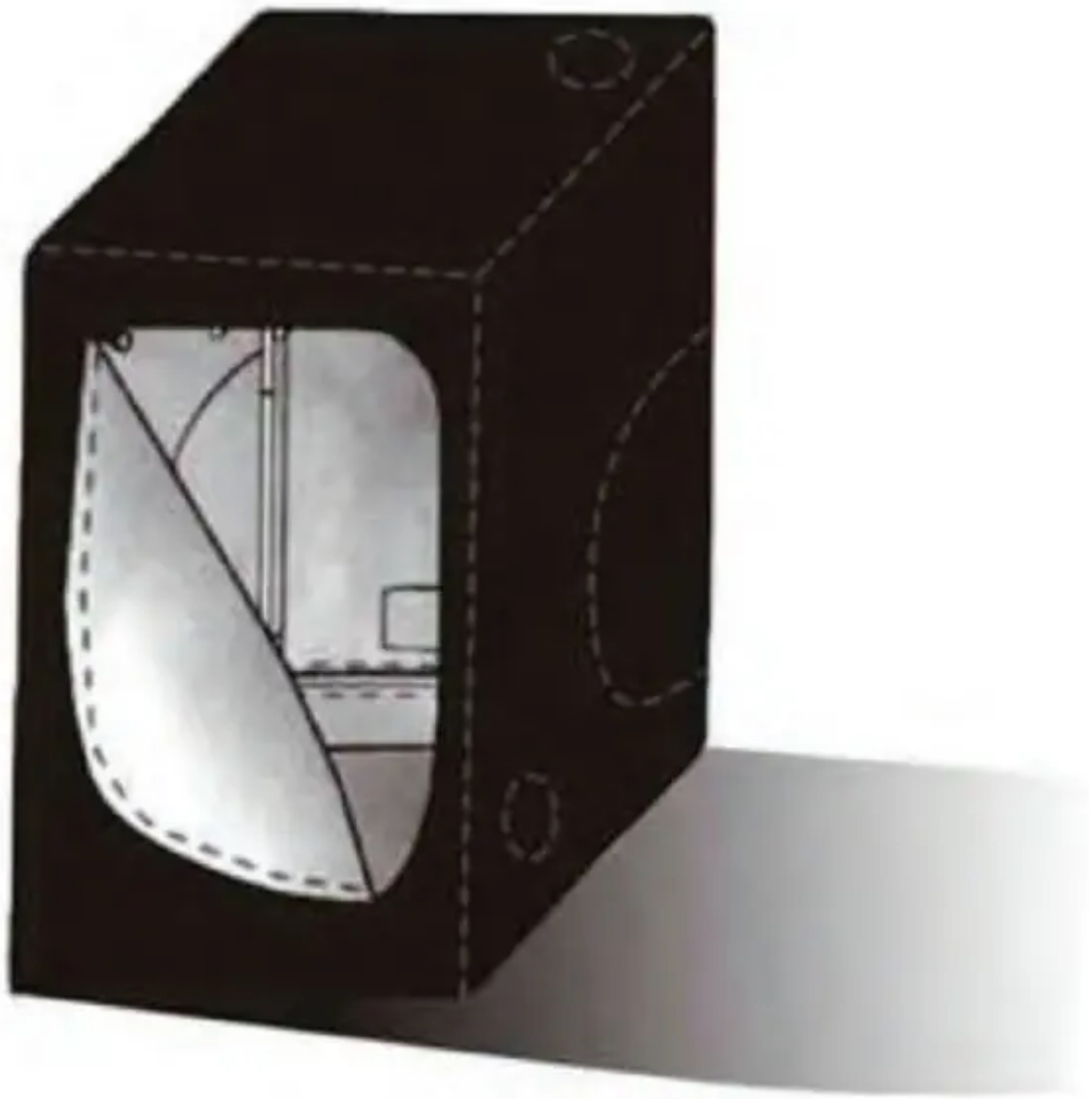


3

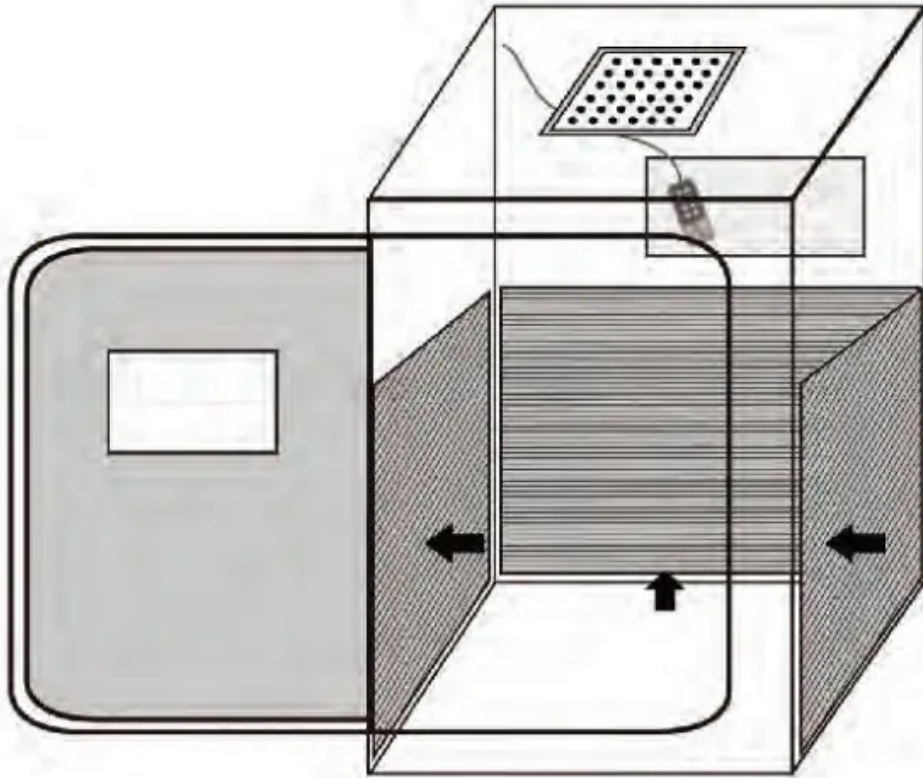


4

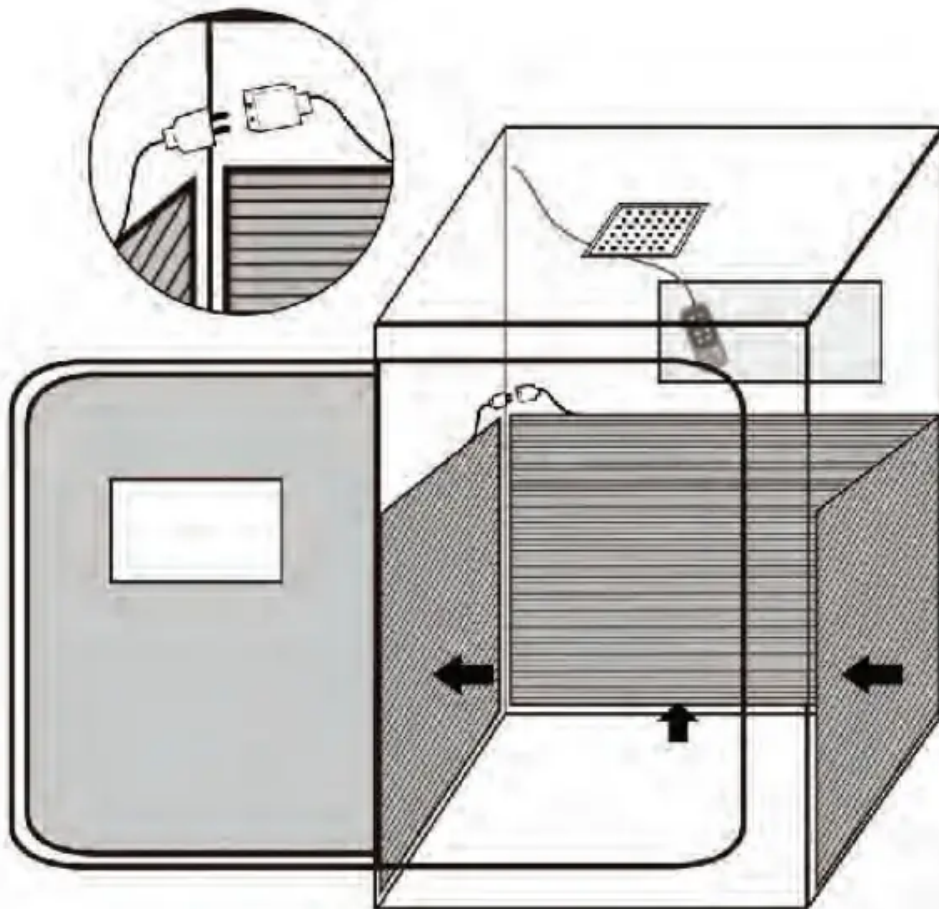




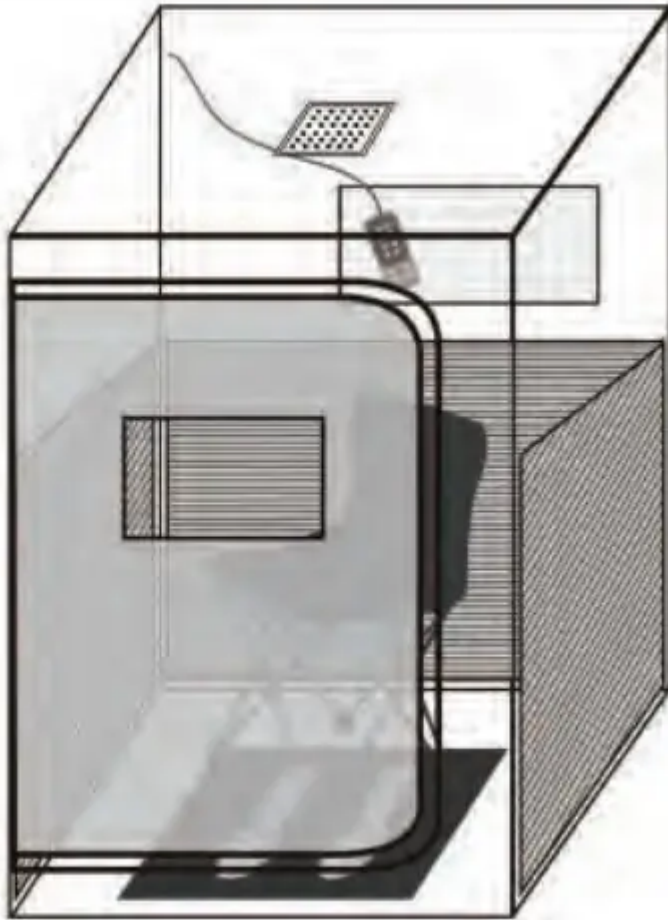
6



7



8



HAND HELD CONTROLLER FUNCTION ILLUSTRATION

1. Press ON/OFF key to start the instrument. The indicating led light will be on.
2. Press FOOT key to heat the foot bottom. The indicating led light will be on.
3. Press SET key to set temperature, then press (▲) or (▼) to adjust temperature.
4. Press SET key again to set time, then press (▲) or (▼) to adjust the time.
5. TIME: totally 0-60 minutes, 1 minute will increase or decrease for each press of (▲) or (▼) key



Hand-Held Controller

CLEANING & STORAGE OF SAUNA

1. Dry any water from the PE-foam in the Sauna box after using.
2. Open the zipper to ventilate. Wait until heat has dissipated to pack and store.
3. Use clean damp cloth to wipe off, and then fold. No need to wash.

HOW TO ADJUST HEAT FOR FOOT PAD

1. For "Low Heat" press the button once, you will see it flash slowly on the remote.
2. For "Medium Heat" press the button again, and you will see it flash quickly on the remote.
3. For "High Heat" press the button again, and you will see the light staying on this time.
4. For "No Heat" press the button one more time, and you will see the light turn off.

WARRANTY CONTENTS Do not use the sauna for over 30 minutes per day and for more than 3 times a week.

1. The warranty period is valid for 1 year from date of purchase.
2. If the unit requires repair, please contact our service center.

3. If the repair was caused by the following situations, you will be charged for material replacement only.

- a. Improper use and operations.
- b. Operating device without complying on required working voltage.
- c. Reassemble after the supplier's installation.
- d. Damaged by nature, disaster or fire.

Warning

This content is compiled from multiple sources and is provided for reference purposes only. It may not be complete or fully applicable to all situations. If you are unable to resolve your issue, please contact the product manufacturer or an authorized service provider for official support.

