

User manual Watering Timer

Installing the batteries

- Remove the tray on the back of the timer by sliding it out.
- Insert two AA (1.5V) alkaline batteries (batteries included) and replace the tray.
- Replace batteries when low battery icon appears.

Installation

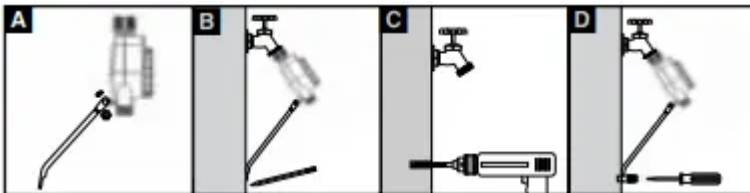
After it is programmed attach it to your outdoor faucet.

Mounting to the wall:

1. Use nut and bolt to attach brace to timer bracket.
2. Mark where brace touches the wall. For masonry:
3. Drill a 1/2 in. (1.27 cm) hole.
4. Insert lag shield and attach brace using 1/4 in. lag screw.

For stucco:

3. Drill 5/16 in. (.79 cm) hole.
4. Insert plastic anchor and attach brace using #14 round head screw.



Programming the Timer

- Rotate the dial to positions indicated or setup.
- Press the arrow button to switch between station 1 and 2 for all programming.

SET CLOCK

- Press the + button to advance clock time (hold button for quick advance).
- Press the – button to reverse clock time (hold button for quick reverse).

START TIME

- Press the + button to advance start time (hold button for quick advance).

- Press the – button to reverse start time (hold button for quick reverse).

HOW LONG

Set watering duration from 1 to 240 minutes using the + and – buttons.

HOW OFTEN

Set watering frequency as every 6 hrs, 12 hrs, or from 1 to 7 days using the + and – buttons. 1 is every day, 2 is every other day etc. up to 7 days.

AUTO

Timer waters according to programmed time, station, duration, and frequency.

Rain Delay

- When in AUTO, press + button for 24 hrs, 48 hrs, or 72 hrs.
- Screen will flash between clock and hours remaining before programmed cycle resumes.
- To remove rain delay, turn dial to OFF and then back to AUTO.

AUTO Manual/hand watering.

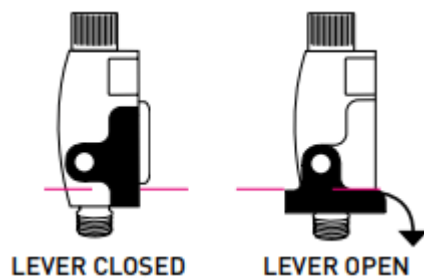
To water without interrupting the set cycle, press [MANUAL] button and then use + and – buttons to set from 1 to 240 minutes.

- To remove manual watering (turn off), turn dial to OFF.
- To resume programmed cycle turn the dial back to AUTO.

MANUAL OUTLET

The manual port of the timer gives access to the hose faucet without interrupting the programmed cycle of the digital port.

- Open the valve in the port by turning the lever counterclockwise to the open position.
- Close the valve by turning the lever to the closed position.



Troubleshooting

Water does not come on at desired time.

Check if:

- Clock is set to correct time including AM and PM.
- Start time is set to desired time including AM and PM.
- Rain Delay is on.

Timer does not water.

Check if:

- Timer is set to AUTO.
- Hose faucet is on.
- Batteries are low.
- Clock is set to correct time including AM and PM.
- Rain Delay is on.

Water won't turn off.

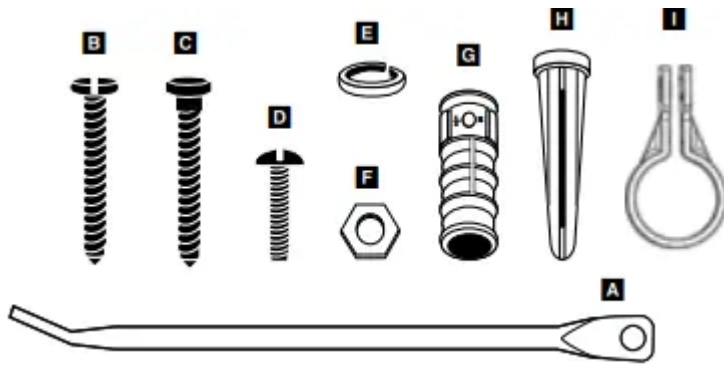
Check if:

- Watering duration is set to desired time.
- Start times begin after previous watering cycle has run through all stations and set durations.

Product Includes:

- A (1) 7 1/4 in. Brace
- B (1) #14 Round Head Screw
- C (1) 1/4 in. Lag Screw
- D (1) Bolt
- E (1) Lock Washer
- F (1) Nut

- G (1) Lag Shield (for masonry)
- H (1) Plastic Anchor (for stucco)
- I (1) Timer Bracket



Warning

This content is compiled from multiple sources and is provided for reference purposes only. It may not be complete or fully applicable to all situations. If you are unable to resolve your issue, please contact the product manufacturer or an authorized service provider for official support.

