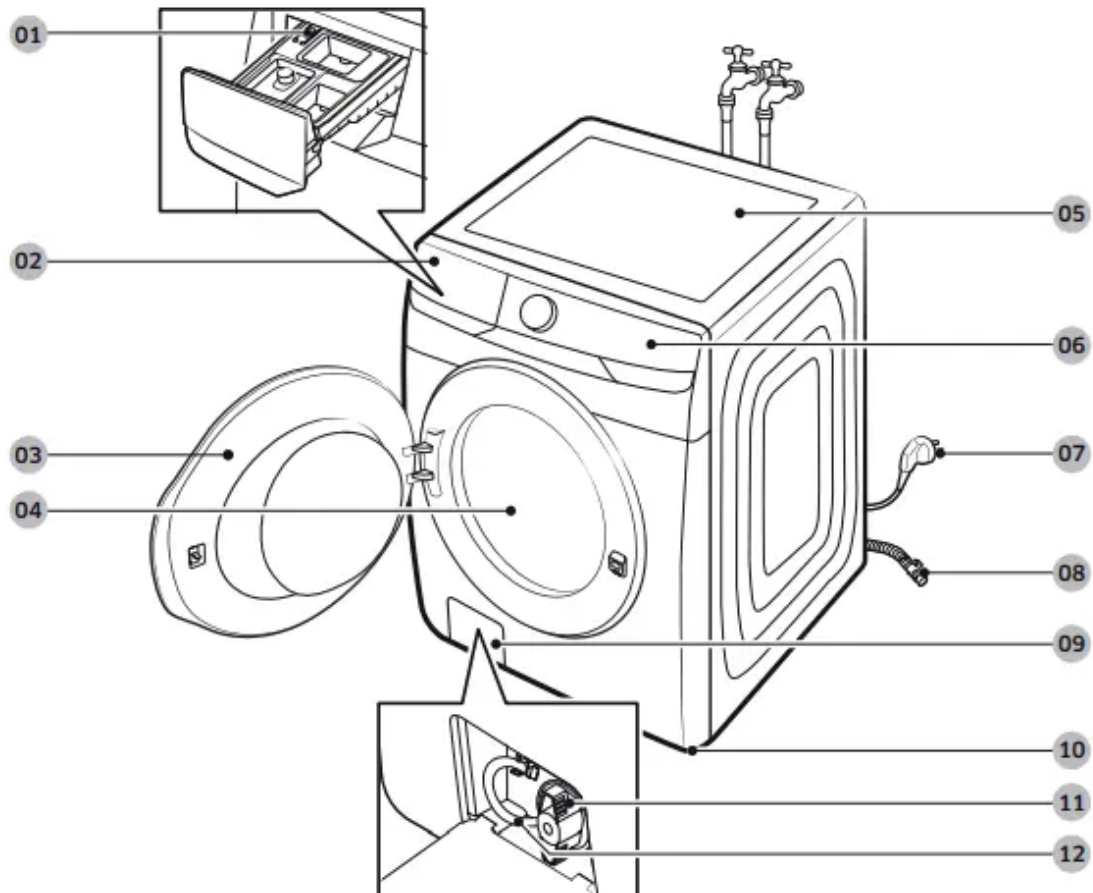


Installation

What's included

Make sure all the parts are included in the product package. If you have a problem with the washer or the parts, contact a local Samsung customer centre or the retailer.



01 Release lever

02 Detergent drawer

03 Door 04 Drum

05 Worktop

06 Control panel

07 Power plug

08 Drain hose

09 Filter cover

10 Levelling feet

11 Debris filter

12 Emergency drain tube

Parts supplied



Wrench



Bolt caps



Hose guide



Cable tie



Anti-slip pads

Parts not supplied



Water hoses (sold separately)

Tools needed for installation



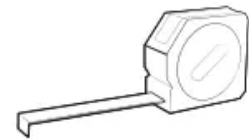
Phillips screwdriver



Level



Adjustable pliers



Measuring tape

Installation requirements

Drain

Samsung recommends a standpipe 18 in. (460 mm) high. The drain hose must be connected through the hose clip to the standpipe, and the standpipe must fully cover the drain hose.

Flooring

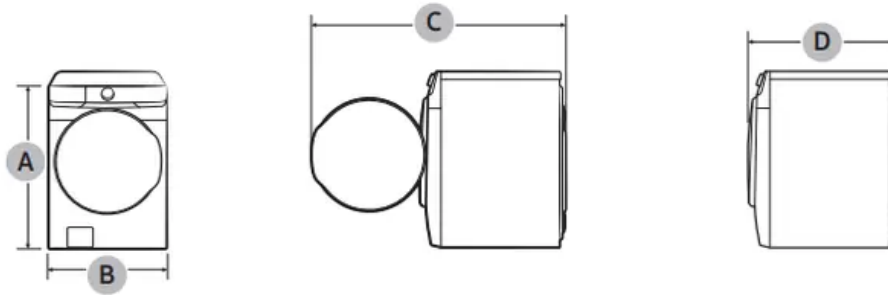
For best performance, the washer must be installed on a solid floor. Wood floors may need to be reinforced to minimize vibration and/or unbalanced loads. Carpeting and soft tile surfaces do not provide good resistance to vibrations and may cause the washer to move slightly during the spin cycle.

CAUTION Do NOT install the washer on a platform or a poorly supported structure.

Water temperature

Do not install the washer in areas where water may freeze as the washer always retains some water in its water valves, pumps, and/or hoses. Frozen water can cause damage to belts, the pump, and other components of the washer.

Dimensions



A. Overall height	38.7 in. (984 mm)
B. Width	27 in. (686 mm)
C. Depth with door open	WF50A86**A* : 54.8 in. (1392 mm) WF45A64**A* : 52.6 in. (1337 mm)
D. Depth	WF50A86**A* : 33.5 in. (850 mm) WF45A64**A* : 31.3 in. (796 mm)

Clearance requirement

This clearance requirement is applicable for washers only

NOTE

- For dryer’s clearance requirement, see the dryer’s user manual.
- If the washer and dryer have different clearance requirements, use the one with the larger value.

Alcove or closet installations

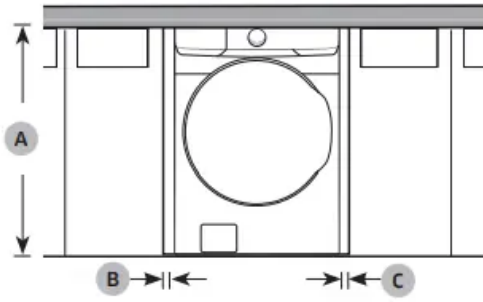
Minimum clearance for stable operation:

Sides	Top	Rear	Front
1 in. (25 mm)	1 in. (25 mm)	5 in. (127 mm)	1 in. (25 mm)

If both the washer and a dryer are installed in the same location, the front of the alcove or closet must have two unobstructed air openings for a combined minimum total area of 72 in.2 (465 cm2).

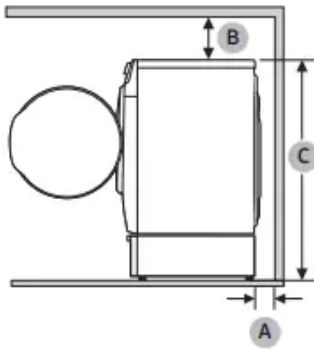
Undercounter installation





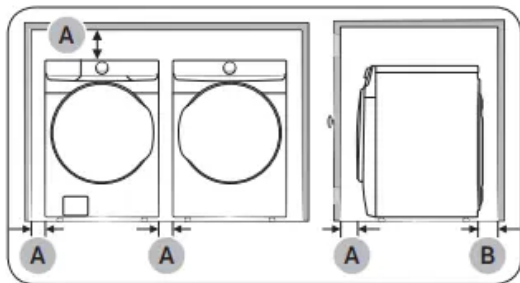
A	39.6 in. (1006 mm)
B	1 in. (25 mm)
C	1 in. (25 mm)

Pedestal installation



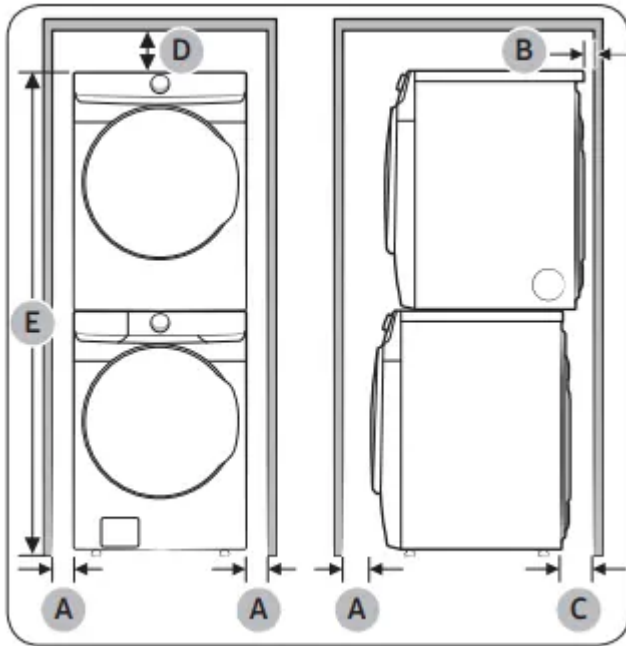
A	5 in. (127 mm)
B	6 in. (152 mm)
C	52.8 in. (1341 mm)

This clearance requirement is applicable for washer and dryer pair installation.



A	1 in. (25 mm)
B	5.9 in. (150 mm)
C	WF50A86**A* : 7.3 in. (185 mm) WF45A64**A* : 7.1 in. (180 mm)
D	6 in. (152 mm)
E	78.5 in. (1994 mm)

Side by side installation



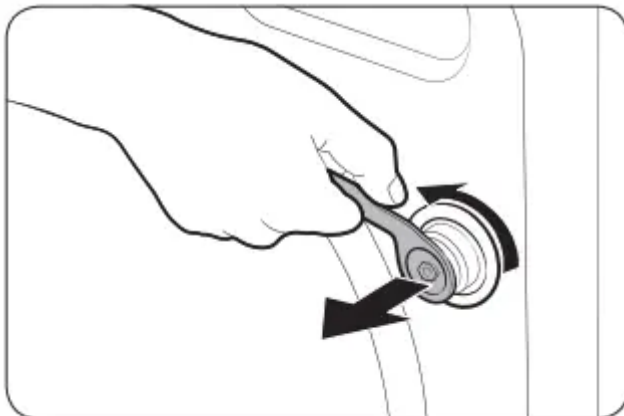
Step-by-step installation

STEP 1 Select a location

Location requirements:

- A solid, level surface without carpeting or flooring that may obstruct ventilation
- No direct sunlight
- Adequate room for ventilation and wiring
- Ambient temperature always higher than the freezing point (32 °F / 0 °C)
- Away from heat sources

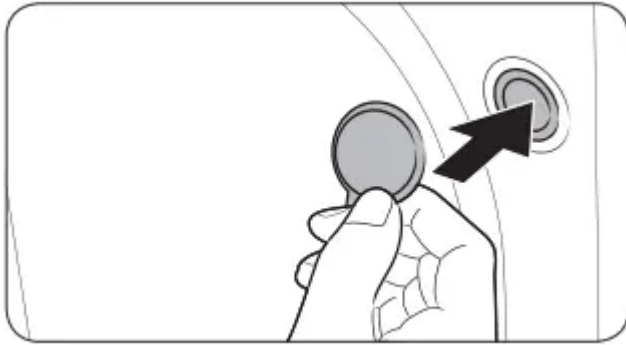
STEP 2 Remove the shipping bolts



Unpack the product package and remove all shipping bolts.

1. Loosen all shipping bolts on the rear of the machine using the spanner.

NOTE Use the enclosed end of the supplied wrench to remove the shipping bolts.

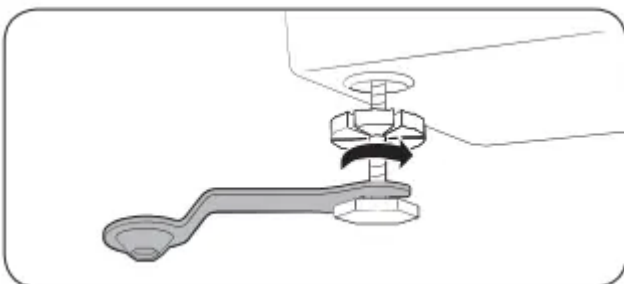


2. Fill the holes with the supplied plastic bolt caps. Keep the shipping bolts for future use.

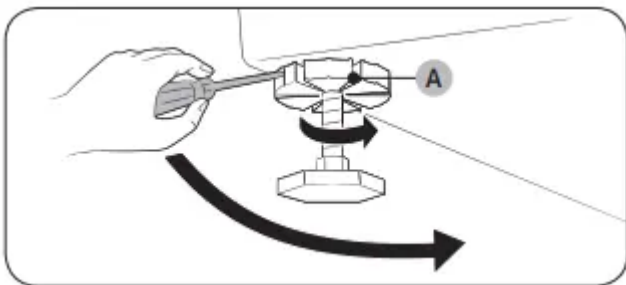
WARNING

- The shipping bolts secure the tub during product transportation and reduce the chance of suspension damage. Remove the shipping bolts before using the product and only reassemble them back in case you need to move the product.
- Packaging materials can be dangerous to children. Dispose all packaging material (plastic bags, polystyrene, etc.) out of children's reach.

STEP 3 Adjust the leveling feet



1. Gently slide the washer into position. Excessive force may damage the leveling feet.
2. Using a wrench, turn the leveling feet clockwise or counterclockwise to adjust the height until the washer is level.

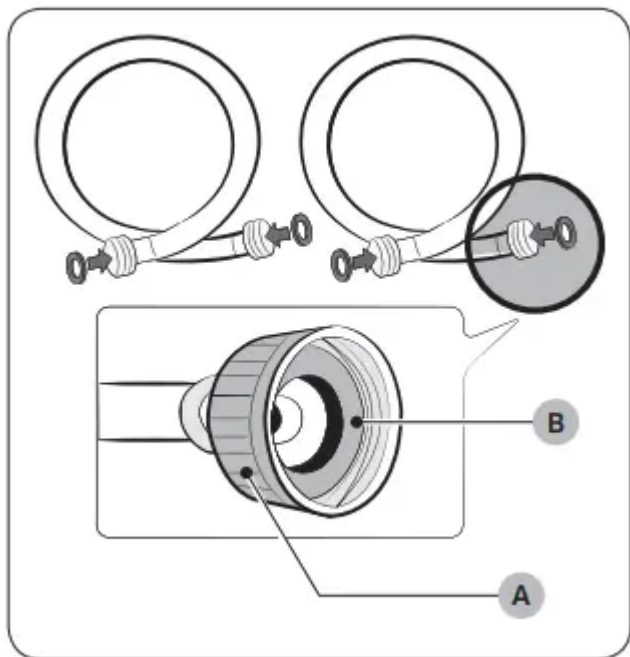


3. Using a flathead screwdriver, tighten the locking nuts (A)

NOTE Use the open-end of the supplied wrench to adjust the leveling feet.

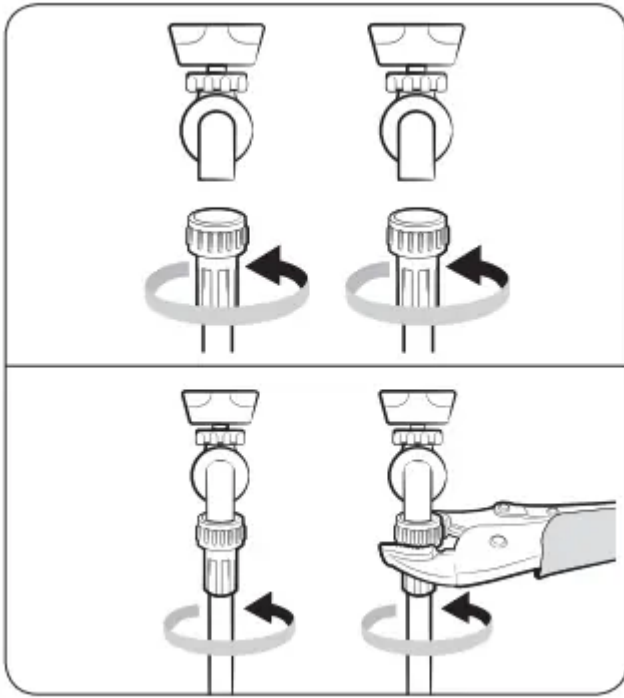


STEP 4 Connect the water hose

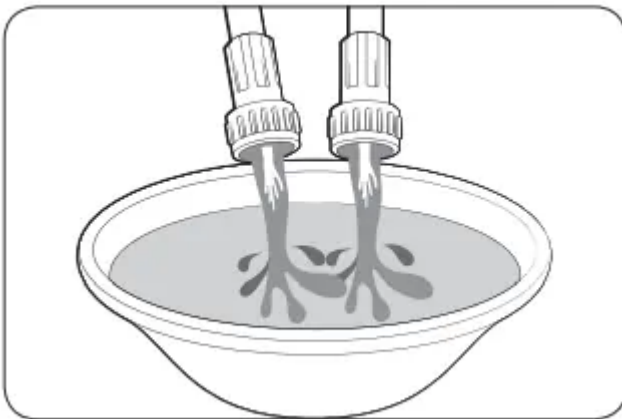


CAUTION

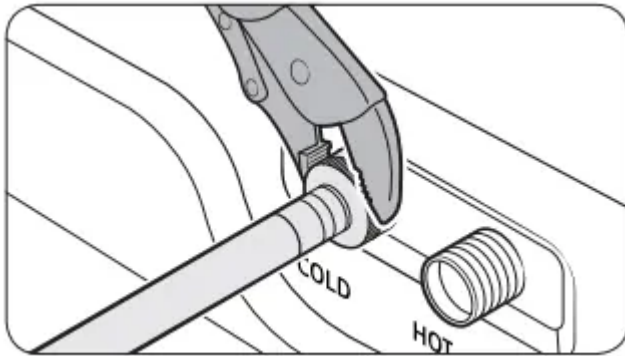
- Make sure to use new water hoses and that rubber gaskets (B) are inside the couplings (A) at both ends of the hoses. Water hoses without the gaskets may leak.
- Allow 5 in. (127 mm) of space between the back of the washer and the wall to prevent water hoses from being kinked. Kinked hoses may cause water leaks.
- If there is a water leak, stop using the washer and contact a local Samsung service center. A water leak may cause electric shock.
- Do not stretch the water hoses by force. If a hose is too short, replace the hose with a longer hose.



1. Attach the water hoses to the hot and cold water taps, and then hand tighten the water hose fittings until they are tight. Then, use pliers to tighten the fittings by an additional two-thirds of a turn. To avoid damaging the fittings, do not overtighten them.
2. Pull the water hoses to check if they are firmly connected.

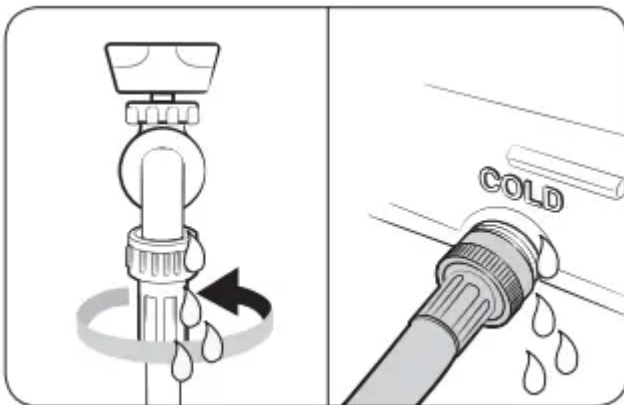


3. Put the other ends of the hoses into a bucket, and then open the water taps for 10 - 15 seconds to remove impurities. When done, close the taps.



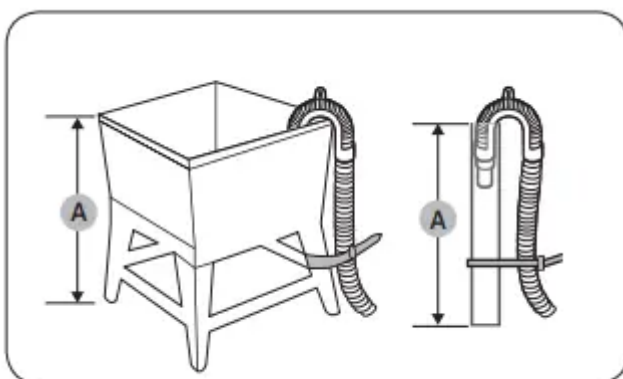
4. Attach the water hoses to the hot and cold water inlets on the back of the washer, and then hand tighten the water hose fittings until they are tight. Then, use pliers to tighten the fittings by an additional two-thirds of a turn.

NOTE If you do not want to use the hot water supply hose, attach the water intake cap to the hot water supply intake. When you do a wash, press Temp. to select Cold.



5. Open the water taps, and check for leaks.

STEP 5 Connect the drain hose



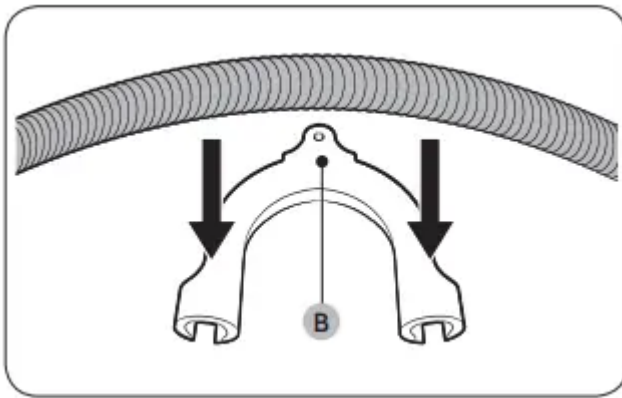
To a Laundry Tub or Drain Pipe

1. Check the height (A) of your drain system and make sure the minimum and maximum heights shown below are met.

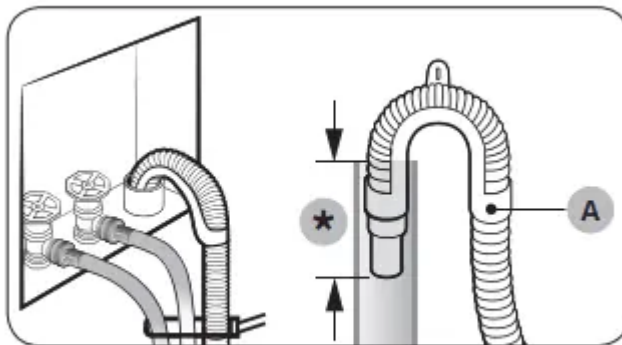
Minimum	18 in. (46 cm)
Maximum	96 in. (245 cm)

NOTE

- Make sure to measure the height from the floor where the washer is placed.
- Draining efficiency may be reduced if the drain system is at the maximum height.
- To prevent the washer from siphoning water, do not use a drain system below the minimum height.



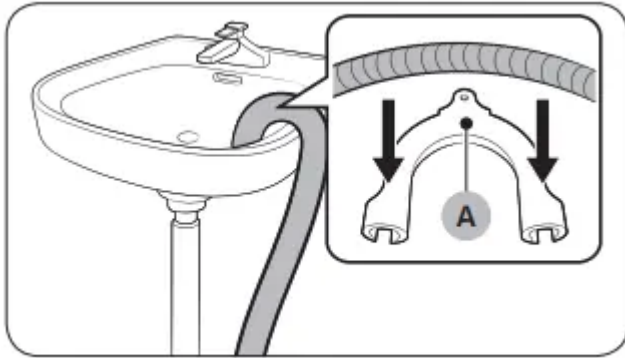
2. Attach the drain hose to the plastic hose guide (B).



(*): Min. 6 in. (152 mm), Max. 8 in. (203 mm)

3. Route the drain hose to the drain system.

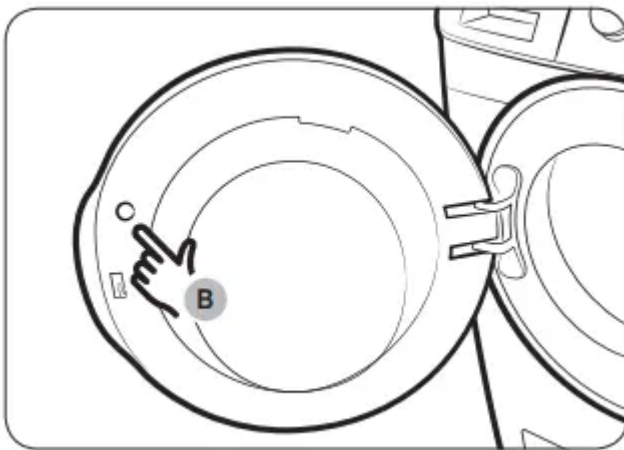
4. Secure the drain hose with cable ties.



Over the edge of a wash basin

The drain hose must be placed no lower than 24 in. (60 cm) and no higher than 35 in. (90 cm) from the floor. To keep the spout of the drain hose bent, use the supplied plastic hose guide (A). Secure the guide to the wall using a hook to ensure stable drainage.

STEP 6 Remove the film inside the door



Remove the small circle of film (B) above the door latch before use.

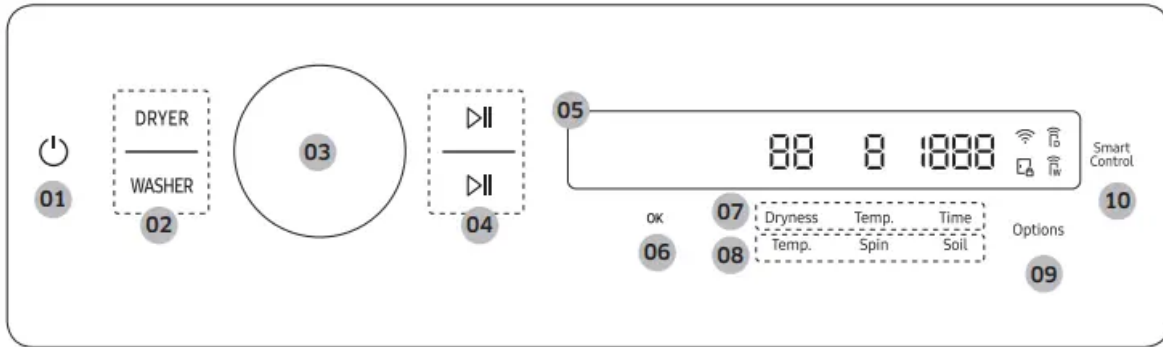
STEP 7 Power on



Plug the power cord into an AC 120 V / 60 Hz / 15 AMP approved electrical outlet protected by a fuse or circuit breaker. Then, press Power to turn on the washer.

Operations

WARNING To reduce the risk of fire, electric shock, or injury to persons, read the IMPORTANT SAFETY INSTRUCTIONS before operating this washer.





Multi-control panel



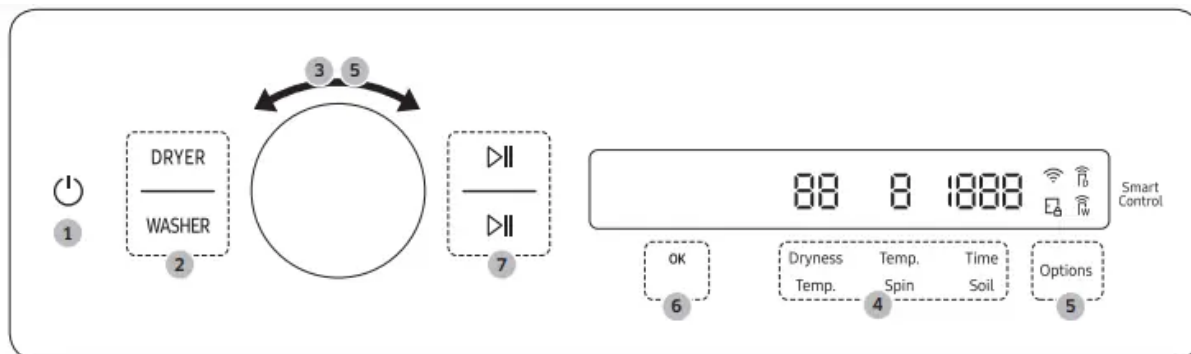
<p>01 Power </p>	<p>Tap to turn the washer on or off.</p> <ul style="list-style-type: none"> • After connecting the washer and the dryer with the multi-control cable, only the washer will turn on when you tap the button. Once the washer turns on, tap DRYER to turn on the dryer. • If you do not manipulate the control panel for 10 minutes after turning on the washer, the washer automatically turns off. • The washer automatically turns off when the cycle completes. <p>CAUTION Do not tap to turn off the power while the cycle is in progress. Tap to pause the cycle first, and then tap to turn off the power.</p>
<p>02 WASHER / DRYER</p>	<p>Tap WASHER to select the washer and use its features.</p> <ul style="list-style-type: none"> • You can tap and hold WASHER for 3 seconds to cancel the washer operation. <p>Tap DRYER to select the dryer and use its features.</p> <ul style="list-style-type: none"> • You can tap and hold DRYER for 3 seconds to cancel the washer operation.
<p>03 Navigation dial</p>	<p>Turn the navigation dial left or right to navigate through cycles and functions. Your selection (such as cycle, additional functions, and system functions) is displayed on the LCD as you turn the navigation dial.</p>
<p>04 Start/ Pause </p>	<p>You can start or pause the operation.</p> <ul style="list-style-type: none"> • The upper button controls the dryer, and the lower button controls the washer. • Tap and hold the button to start the operation. • During the operation, tap the button to pause
<p>05 Display</p>	<p>The display shows current cycle information and estimated time remaining, or an information message when a problem occurs.</p>
<p>06 OK</p>	<p>Tap to confirm your selection of function or setting.</p> <ul style="list-style-type: none"> • The button is inactive when the selected function or setting is not supported.
<p>07 Dry cycle settings</p>	<p>Tap the desired button to change the default dry cycle settings.</p> <ul style="list-style-type: none"> • Dryness: Tap to change the dry level. You can select from levels 1 to 5, but the available level depends on the selected cycle. <ul style="list-style-type: none"> ◦ 4 or 5: Suitable for large and thick items.


	<ul style="list-style-type: none"> ◦ 3: Standard drying level ◦ 2: The Damp dry level is designed to partially dry items. Use for items that lay flat or hang to dry. ◦ 1: Gently dries items to protect the fabric. Suitable for delicate items or items you want to naturally dry (by hanging or laying flat on the drying rack) while they are damp. <ul style="list-style-type: none"> • Temp.: Temperature can only be adjusted in TIME DRY cycle. Tap to change the temperature of the current cycle. • Time: Tap to change the cycle time. <ul style="list-style-type: none"> ◦ Some cycles do not support a time setting ◦ You can set the drying time between 10 minutes and 90 minutes. However, available drying time depends on the selected cycle.
08 Wash cycle settings	<p>Tap the desired button to change the default wash cycle settings</p> <ul style="list-style-type: none"> • Temp.: Tap to change the water temperature for the selected cycle. • Spin: Tap to change the spin speed for the selected cycle. <ul style="list-style-type: none"> ◦ Drain & No Spin: The drum does not spin after the final drain process. ◦ Rinse Hold & No Spin (All indicators are off): The final rinse process is suspended so that the laundry remains in the water. To unload the laundry, run a drain or spin process. • Soil: Tap to change the soil level for the current cycle.
09 Options	<p>Tap to enter the Options menu.</p> <p>Tap and hold for 3 seconds to enter the System Functions menu.</p>
10 Smart Control	<p>Tap to activate or deactivate the Smart Control function.</p> <p>Tap and hold to enter pairing mode to connect to the SmartThings app.</p> <ul style="list-style-type: none"> • When the Smart Control function is activated, you can control your washer remotely using the SmartThings app on your smartphone or tablet (Android or iOS). • When you tap the button, the Smart Control function activates on both the washer and the dryer. • For more information on Smart Control, see page 46.

Icon descriptions

	Wi-Fi	<ul style="list-style-type: none"> This icon indicates that the washer is connected to Wi-Fi.
	Door Lock	<ul style="list-style-type: none"> This icon indicates the door is locked and cannot be opened. The door locks automatically during a cycle and this indicator turns on. You can open the door when this icon disappears.
	Smart Control	<ul style="list-style-type: none"> This icon indicates that the washer's Smart Control is on. For more information on Smart Control, see page 46.
		<ul style="list-style-type: none"> This icon indicates that the dryer's Smart Control is on. For more information on Smart Control, see page 46.

Operating a cycle



1. Tap  to turn the power on.
2. Tap DRYER or WASHER.
 - Tap WASHER to select the washer and use its features.
 - Tap DRYER to select the dryer and use its features.
3. Turn the Navigation dial to select the cycle you want
 - For more information on Cycle overview, see page 38.
 - For more information on the dryer's cycles, please see the dryer's user manual.
4. Change the default cycle options.
 - For the washer, tap Temp., Spin, or Soil to change the default cycle settings.
 - For the dryer, tap Dryness, Temp., or Time to change the default cycle settings.
5. Tap Options, and then turn the Navigation dial to select the desired additional function.
 - For more information on Options, see page 42.
 - For more information on the dryer's additional functions, please see the dryer's user manual.
6. Tap OK to change the settings for selected additional function.
 - Not all cycles have additional functions available.

7. Tap and hold  to start operation.

- Once you set the cycle you want, the screen displays a brief cycle description, and cycle time. You can also check the cycle progress, remaining cycle time, and information codes.

Cycle overview

Cycle descriptions

You can add or delete cycles to personalize the cycle list in the My Cycles option. See page 43 for more information.

Cycle	Description
Normal	<ul style="list-style-type: none"> • For cottons, bed linens, table linens, underwear, towels, or shirts. The washing time and the rinse count are automatically adjusted according to the load.
Heavy Duty	<ul style="list-style-type: none"> • For sturdy, colorfast fabrics and heavily soiled items.
Super Speed	<ul style="list-style-type: none"> • Normal cycle with the Super Speed option. • The shortened time may differ depending on the load/options.
Small Load	<ul style="list-style-type: none"> • For lightly soiled items that you want to finish washing quickly. • For best performance, recommended load is 4 lb (2.0 kg) or lower.
Delicates	<ul style="list-style-type: none"> • For sheer fabrics, bras, lingerie (silk), and other handwash-only fabrics.
Steam Whites	<ul style="list-style-type: none"> • For white items. You can wash with or without bleach.
Steam Sanitize	<ul style="list-style-type: none"> • For colourfast fabrics and heavily soiled laundry, this cycle heats the supplied water over 60 °C to clean deeply. • If you stop running the cycle while the washer is heating the water, the door remains locked for your safety
Steam Normal (Steam Cotton)	<ul style="list-style-type: none"> • For washing everyday garments with steam.
Towels	<ul style="list-style-type: none"> • For bath towels, washcloths, and mats.
Bedding	<ul style="list-style-type: none"> • For bulky items such as comforters, blankets, and sheets. • For best results, wash only 1 type of bedding. • For bulky items, use liquid detergent and do not roll the items in the drum because they might get stuck in the drum.
Outdoor	<ul style="list-style-type: none"> • For outdoor clothes, skiwear, and sportswear that are made of functional materials such as spandex, stretch, and micro-fibre



Activewear	<ul style="list-style-type: none"> • For exercise wear such as sports jerseys, training pants, shirts/tops and other performance clothing. This cycle provides effective soil removal with controlled drum rotation for special fabric care.
Denim	<ul style="list-style-type: none"> • For denim and jeans. • Wash inside out. • Denim and jeans often contains excess dye and may run during the first few washes. Wash light and dark colored items separately.
Wool	<ul style="list-style-type: none"> • Specific for machine-washable wool for loads less than 4 lb (2.0 kg). • The Wool cycle features fine pulsating and soaking to protect the wool fibres from shrinkage/distortion. • A neutral detergent is recommended
Colors	<ul style="list-style-type: none"> • This cycle washes items in low-temperature water to prevent discoloration
Perm Press	<ul style="list-style-type: none"> • For wash-and-wear, synthetic fabrics, and lightly to normally soiled items.
Eco Cold	<ul style="list-style-type: none"> • For normally and lightly soiled items. This cycle uses only cold water to save energy. Cold water also helps prevent fabric damage
Steam Bulky	<ul style="list-style-type: none"> • Bedding cycle with the steam function.
Steam Allergen	<ul style="list-style-type: none"> • To remove dust, pollen, and other non-living allergen substances from fabric.
Power Steam	<ul style="list-style-type: none"> • Heavy Duty cycle with the steam function.
Power Rinse	<ul style="list-style-type: none"> • To wash with powerful rinsing performance.
Spin Only	<ul style="list-style-type: none"> • To perform the spin process only.



Rinse+Spin	<ul style="list-style-type: none"> • Features an additional rinse process after fabric softener is applied to the laundry
Self Clean+	<ul style="list-style-type: none"> • Cleans the drum by removing dirt and build-up from the drum. • Perform once every 40 washes. • Make sure the drum is empty.

Cycle chart

Use this chart to set the best cycle and options for your laundry.

Temp.	Spin	Soil level
1 : Tap Cold	1 : Extra Low	1 : Extra Light
2 : Cold	2 : Low	2 : Light
3 : Warm	3 : Medium	3 : Normal
4 : Hot	4 : High	4 : heavy
5 : Extra Hot	5 : Extra High	5 : Extra Heavy

● : factory setting, ○ : can be selected

Cycle	Functions														
	Temp.					Spin					Soil level				
	5	4	3	2	1	5	4	3	2	1	5	4	3	2	1
Normal	○	○	●	○	○	○	●	○	○		○	○	●	○	○
Heavy Duty	○	●	○	○	○	●	○	○	○	○	●	○	○	○	○
Superspeed		○	●			○	●	○	○	○	○	○	●	○	○
Small load		○	●	○	○	●	○	○	○	○	○	○	○	○	●
Delicates			○	○	●			●	○	○	○	○	●	○	○
Steam Whites		●				○	●	○	○	○	○	○	●	○	○
Steam Sanitize	●					○	●	○	○	○	○	○	●	○	○
Steam Normal (Steam Cotton)		●				○	●	○	○	○	○	○	●	○	○
Towels		○	●	○	○	○	●	○	○	○	○	○	●	○	○
Bedding			●	○	○			○	●	○	○	○	●	○	○
Outdoor			●	○	○			●	○	○	○	○	●	○	○
Activewear			●	○	○				●	○	○	○	●	○	○
Denim			●	○	○			●	○	○	○	○	●	○	○
Wool			●	○	○				●	○			●		
Colors					●	○	●	○	○	○	○	○	●	○	○
Perm Press			●	○	○		○	○	●	○	○	○	●	○	○
Eco cold				○	●	○	●	○	○	○	○	○	●	○	○
Steam Bulky			●					○	●	○	○	○	●	○	○
Steam Allergen		●				○	●	○	○	○	○	○	●	○	○
Power Steam		●				●	○	○	○	○	●	○	○	○	○
Power rinse		○	●	○	○	○	●	○	○	○	○	○	●	○	○
Spin only						○	●	○	○	○					

Cycle	Functions														
	Temp.					Spin					Soil level				
	5	4	3	2	1	5	4	3	2	1	5	4	3	2	1
Rinse+Spin						○	●	○	○	○					
Self clean+	●					●							●		



Cycle	Option		
	Superspeed	Extra rinse	Pre soak
Normal		<input type="radio"/>	<input type="radio"/>
Heavy Duty	<input type="radio"/>	<input type="radio"/>	<input type="radio"/>
Super speed	<input checked="" type="radio"/>	<input type="radio"/>	
Small load		<input type="radio"/>	
Delicates		<input type="radio"/>	
Steam Whites	<input type="radio"/>	<input type="radio"/>	<input type="radio"/>
Steam Sanitize		<input type="radio"/>	<input type="radio"/>
Steam Normal (Steam Cotton)		<input type="radio"/>	<input type="radio"/>
Towels		<input type="radio"/>	<input type="radio"/>
Bedding	<input type="radio"/>	<input type="radio"/>	<input type="radio"/>
Outdoor		<input type="radio"/>	
Activewear		<input type="radio"/>	<input type="radio"/>
Denim		<input type="radio"/>	<input type="radio"/>
Wool			
Colors		<input type="radio"/>	<input type="radio"/>
Perm Press		<input type="radio"/>	<input type="radio"/>
Eco Cold		<input type="radio"/>	<input type="radio"/>
Steam Bulky	<input type="radio"/>	<input type="radio"/>	<input type="radio"/>
Steam Allergen		<input type="radio"/>	<input type="radio"/>
Power Steam	<input type="radio"/>	<input type="radio"/>	<input type="radio"/>
Power Rinse		<input type="radio"/>	<input type="radio"/>
Spin only			
Rinse+Spin		<input type="radio"/>	
Self clean+			

Options

Using Options

1. Tap Options.
2. Turn the Navigation dial to select the desired additional function.
3. Tap OK to change the selected function's settings or start the function.

NOTE

- To return to the main screen, tap Options again or turn the Navigation dial to select Back and tap OK.
- If the selected function is not supported, the "Currently not supported." message is displayed, and the OK button is not activated.
- When you select an additional function, a brief help message appears for the first ten times of use.

Super Speed

Use this function if you need to shorten the washing time.

1. Tap Options.

2. Turn the Navigation dial to select Super Speed, and then tap OK.

3. Tap OK to select On or Off.

- Only available with Super speed, Heavy Duty, Power Steam, Bedding, Steam Bulky, and Steam Whites cycles.
- The shortened time may differ depending on the load/options

Extra Rinse

Adds an additional rinse at the end of the cycle to remove laundry additives more thoroughly.

1. Tap Options.

2. Turn the Navigation dial to select Extra Rinse, and then tap OK.

3. Tap OK to select On or Off.

Pre Soak

This adds 30 minutes of soaking time at the start of the wash cycle for better stain removal.

1. Select a cycle and change the cycle settings as necessary.

2. Tap Options.

3. Turn the Navigation dial to select Pre Soak, and then tap OK.

4. Tap OK to select On or Off.

My Cycles

Add or remove cycles to create a personal cycle list.

1. Tap Options.

2. Turn the Navigation dial to select My Cycles, and then tap OK.

- You can only edit a cycle to create a personal cycle when the washer is not operating.

3. Turn the Navigation dial to select a desired cycle.

4. Tap OK to add or remove the selected cycle.

- Addition and removal of the course is saved automatically.



5. Once you finish creating My Cycles, tap Options to return to the cycles screen.

NOTE


- The Normal and Self Clean+ cycles cannot be removed from the cycles list
- You can also edit My Cycles in the SmartThings app.

Delay End

You can set the washer to finish your wash automatically at a later time, choosing a delay of between 1 to 24 hours (in 1 hour increments). The hour displayed indicates the time the wash will finish.

1. Select a cycle and change the cycle settings as necessary.
2. Tap Options.
3. Turn the Navigation dial to select Delay End, and then tap OK.
4. Turn the Navigation dial to select the desired time, and then tap OK.
5. Tap and hold .
 - Status shows in the display and the washer tumbles the drum to sense the weight of the load (if load sensing is preset for the selected cycle). When load sensing is complete, the display shows the remaining time until the end of the wash cycle.
 - To cancel Delay End, tap  to restart the washer.

Child Lock

To prevent children or infants from accidentally starting or setting the washer, Child Lock locks all buttons except for  and Options.

1. Tap Options.
2. Turn the Navigation dial to select Child Lock, and then tap OK.
3. Tap OK to select On or Off.

System Functions

Using System Functions

1. Tap and hold Options for 3 seconds.
2. Turn the Navigation dial and select the desired system function, and then tap OK.
3. Tap OK to change the selected function's settings or start the function.

AI Pattern

This function saves frequently used cycles and settings. When you turn the function on, the washer remembers the cycles you use most and their settings (Temp., Rinse, Spin) and displays them in frequency order.

1. Tap and hold Options for 3 seconds.
2. Turn the Navigation dial to select AI Pattern, and then tap OK.

3. Tap OK to select On or Off.

- The default setting is On. Set it to Off if you do not want to use this function.
- When you turn off the function, all the saved data resets.

Alarm

You can turn on or off the sound from the washer. When this function is set to Off, the melody of cycle completion and the power-off beep does not sound. However, the other sounds stay active.

1. Tap and hold Options for 3 seconds.
2. Turn the Navigation dial to select Alarm, and then tap OK.
3. Tap OK to select On or Off.
 - The default setting is On.


Calibration

You can run calibration again for accurate weight detection.

1. Tap and hold Options for 3 seconds.
2. Turn the Navigation dial to select Calibration, and then tap OK.
 - Calibration does not start if the door is not closed properly.
 - The drum rotates clockwise and anticlockwise for about 3 minutes.
3. When calibration is complete, the “Calibration complete” message appears on the display and the washer turns off automatically.

Wi-Fi

You can turn the washer's Wi-Fi on or off.

1. Tap and hold Options for 3 seconds.
2. Turn the Navigation dial to select Wi-Fi, and then tap OK.
3. Tap OK to select On or Off.
 - The washer's Wi-Fi is off as a factory default setting. However, the washer's Wi-Fi turns on automatically when you turn on the washer for the first time. Then, the final Wi-Fi setting maintains regardless of the washer power status.
 - Once you turn on the washer's Wi-Fi and connect to a network, the washer remains connected to the network even when you turn off the power.
 - The Wi-Fi  indicates that the washer is connected to the router through the Wi-Fi connection


Language

You can change the system language.

1. Tap and hold Options for 3 seconds.
2. Turn the Navigation dial to select Language, and then tap OK.
3. Turn the Navigation dial to select the desired language, and then tap OK.

Self Diagnosis

You can use this function to check if there are any abnormal signs on your washing machine.

1. Tap and hold Options for 3 seconds.
2. Turn the Navigation dial to select Self Diagnosis, and then tap OK.
 - Self Diagnosis starts immediately and "Testing..." is displayed during the self diagnosis process.
 - Once the self diagnosis process starts, only the  button remains active.
 - If the washing machine detects any errors, an information code and the solution is displayed on the control panel.

Factory Reset

You can reset the washer.

1. Tap and hold Options for 3 seconds.
2. Turn the Navigation dial to select Factory Reset, and then tap OK.
 - Your washer resets to the factory setting.

Special features

Smart control

You can connect to the SmartThings app and control your washer remotely

Connecting your washer

1. Download and open the SmartThings app on your smartphone or tablet (Android & iOS).
2. Tap to turn on the washer.
3. Tap and hold Smart Control.
 - a. The washer enters AP mode and connects to your smartphone or tablet.
 - b. Tap Smart Control to authenticate your washer.
 - c. Once the authentication process is complete, your washer is successfully connected to the app.
 - You can use various features available in the SmartThings app.

Stay Connect

Set up the Stay Connect function in your SmartThings app to keep Smart Control turned on at the end of a cycle. Your washer stays connected to the app so you can send additional instructions, whether you are at home or away.

1. If you turn on the Stay Connect function on the SmartThings app, the washer will stay in standby power saving mode after completing a cycle.

- The Stay Connect function will remain active for up to 24 hours if the door remains closed.

2. When the Stay Connect function is active, the Smart Control, Door Lock, and Wi-Fi icons are illuminated on your washer display.

3. You can conveniently control your washer, adding rinse, spin cycles using the SmartThings app.

SmartThings

Wi-Fi connection

On your smartphone or tablet, go to Settings and turn on the wireless connection and select an AP (Access Point).

- This appliance supports the Wi-Fi 2.4 GHz protocols.

Download

On an app market (Google Play Store, Apple App Store, Samsung Galaxy Apps), find the SmartThings app with a search term of "SmartThings". Download and install the app on your device.

NOTE The app is subject to change without notice for improved performance.

Log in

You must first log into SmartThings with your Samsung account. To create a new Samsung account, follow the instructions on the app. You don't need a separate app to create your account.

To register your appliance to SmartThings

1. Make sure your smartphone or tablet is connected to a wireless network. If not, go to Settings and turn on the wireless connection and select an AP (Access Point).

2. Open SmartThings on your smartphone or tablet.

3. If a message of "A new device is found.", select Add.

4. If no message appears, select + and select your appliance in a list of devices available. If your appliance is not listed, select Device Type > Specific Device Model, and then add your appliance manually.

5. Register your appliance to the SmartThings app as follows.

a. Add your appliance to SmartThings. Make sure your appliance is connected to SmartThings.

b. When registration is complete, your appliance appears on your smartphone or tablet.

If you're moving out, we recommend you completely wipe the appliance and do a network reset on it before you leave it behind.



If you're moving in, the easiest way to take control and remove the previous user's access is to add it to SmartThings yourself. But if you don't plan on using SmartThings, a network reset should be performed to protect your privacy. In rental properties, there's a regular change of ownership. To ensure resident privacy, Wi-Fi and/or other connectivity settings should be reset at each change of resident. Please refer to factory reset instructions in this manual.

Maintenance

Keep the washer clean to prevent deteriorated performance and to preserve its life cycle.

Self Clean+

Certain usage and environmental conditions may result in some residue build-up or odor in the washer drum. To prevent this build-up or odor and keep your washer drum fresh and clean, perform the Self Clean+ cycle at least once a month or every 40 cycles. Perform the recommended procedure below when using the Self Clean+ cycle.

1. Tap .
2. Turn the Navigation dial to select Self Clean+.
3. Tap and hold .

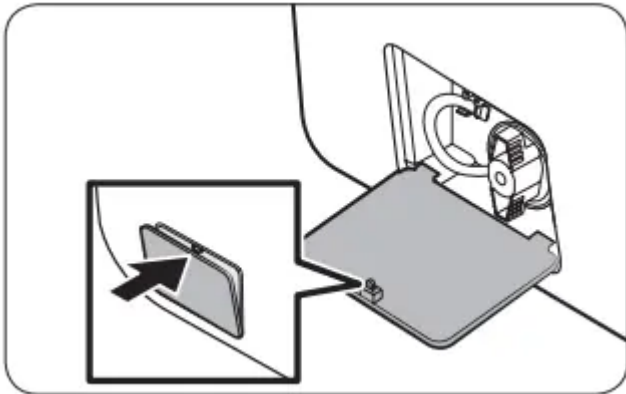
CAUTION If there is chlorine bleach left in the washer drum for an extended period of time, rust can occur.

Self Clean+ reminder

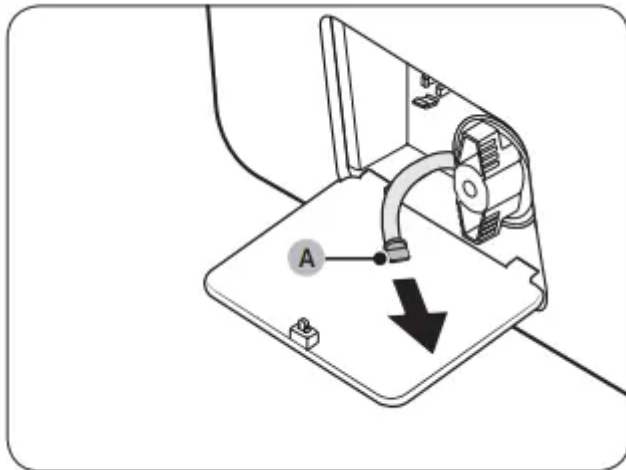
- After every 40 cycles, the washer displays the “Drum Clean needed” message for an hour to alert you to run the Self Clean+ cycle.
- It is recommended to run the cycle regularly for hygienic purposes.
- You will see the Self Clean+ alert message when the washer completes a cycle. If you open the door, the message disappears, and the display shows the Self Clean+ cycle setting screen automatically. At this time, the dryer control panel displays the recommended drying cycle.
- The reminder will appear on the control panel for 5 additional consecutive cycles before turning off. The next reminder will not appear until another 40 cycles have been completed

Emergency drain

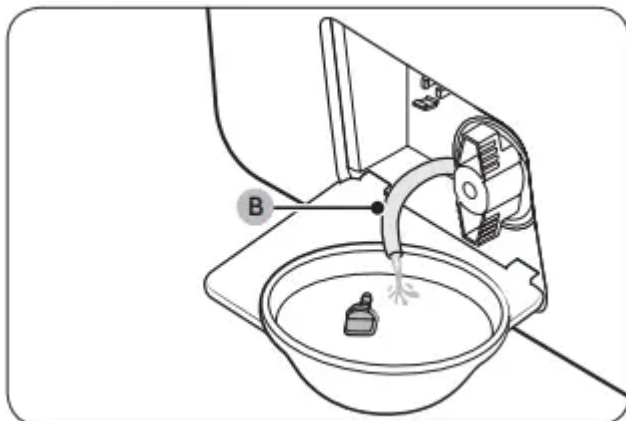
In case of a power failure, drain the water inside the drum before taking out the laundry.



1. Power off and unplug the washer from the electrical outlet.
2. Gently press the top area of the filter cover to open.



3. Put an empty, spacious container around the cover, and stretch the emergency drain tube to the container while holding the tube cap (A).



4. Open the tube cap and let water in the emergency drain tube (B) flow into the container.

5. When done, close the tube cap, and reinsert the tube. Then, close the filter cover.

NOTE Use a spacious container because the water in the drum may be more than expected

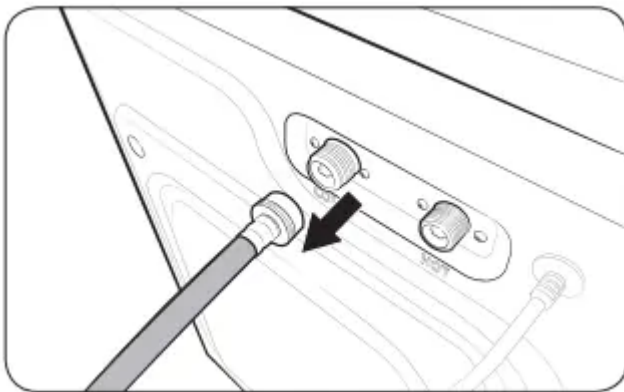
Cleaning

Surface of the washer

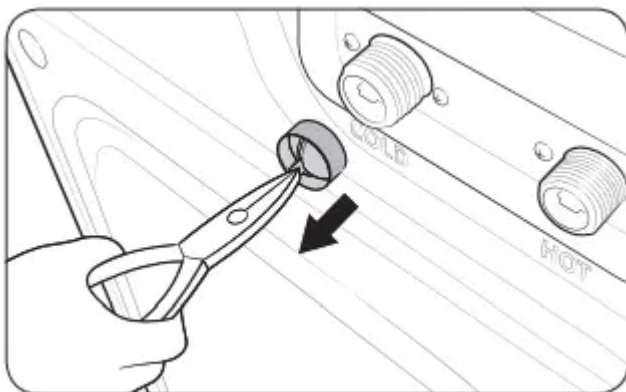
Use a soft cloth with a nonabrasive household detergent. Do not spray water onto the washer.

Mesh filter

Clean the mesh filter of the water hose once or twice a year.



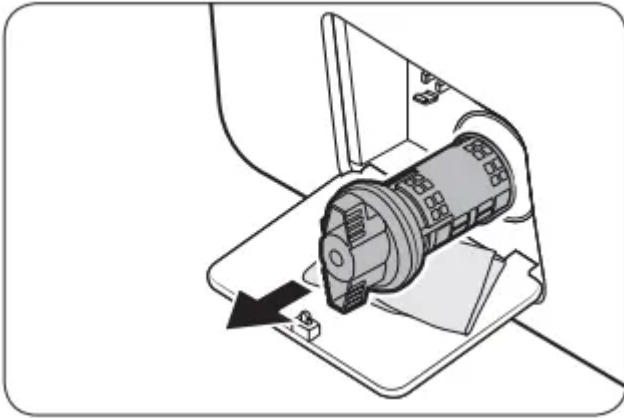
1. Turn off the washer, and unplug the power cord.
2. Close the water tap.
3. Loosen and disconnect the water hose from the back of the washer. Cover the hose with a cloth to prevent water from gushing out.



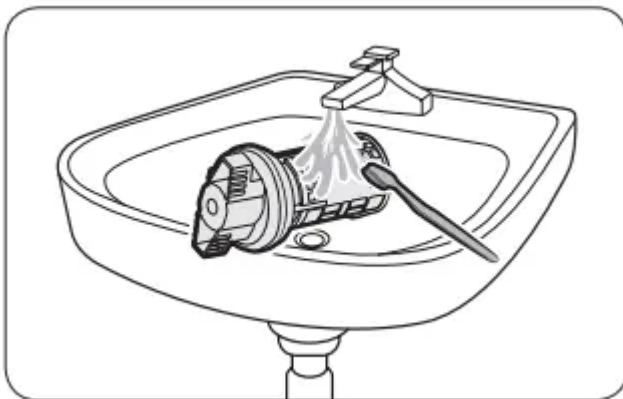
4. Use pliers to pull out the mesh filter from the inlet valve.
5. Submerge the mesh filter deeply in water so that the threaded connector is also submerged.
6. Dry the mesh filter completely in the shade.
7. Reinsert the mesh filter into the inlet valve, and reconnect the water hose to the inlet valve.
8. Open the water tap.

Debris filter

It is advisable to clean the debris filter every 2 months to prevent its clogging. A clogged debris filter may reduce the bubble effect.



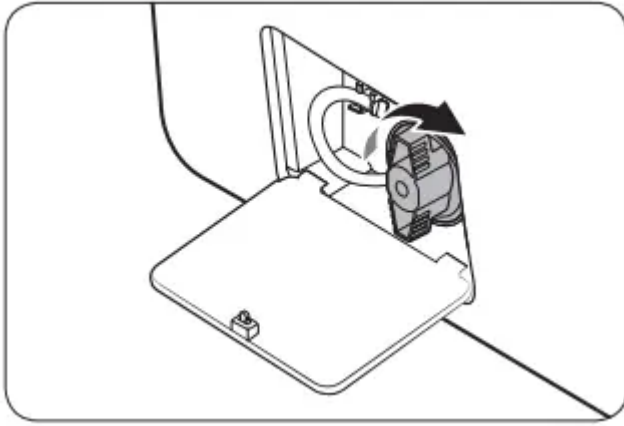
1. Turn off the washer, and unplug the power cord.
2. Drain the remaining water inside the drum. See the Emergency drain section.
3. Gently press the top area of the filter cover to open.
4. Turn the debris filter knob to the left, and drain off the remaining water



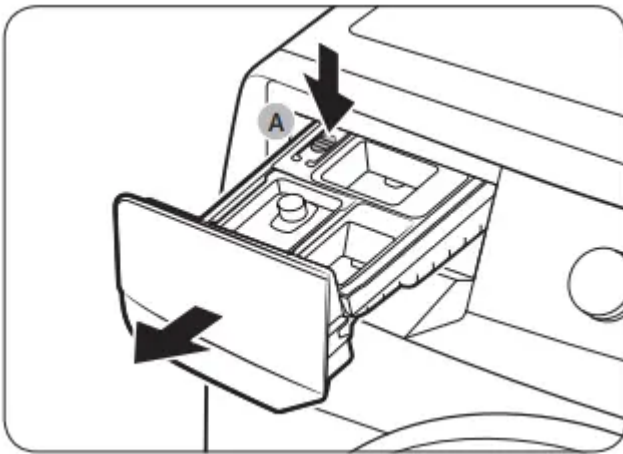
5. Clean the debris filter using soft brushes. Make sure the drain pump propeller inside the filter is unclogged.
6. Reinsert the debris filter, and turn the filter knob to the right.

NOTE

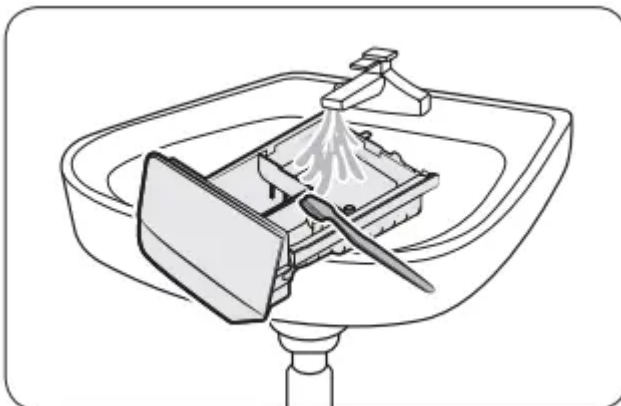
- Some debris filters feature a safety knob that is designed to prevent accidents by children. To open the safety knob of the debris filter, push in and turn it anticlockwise. The spring mechanism of the safety knob helps open the filter.
- To close the safety knob of the debris filter, turn it clockwise. The spring makes a rattling sound, which is normal.



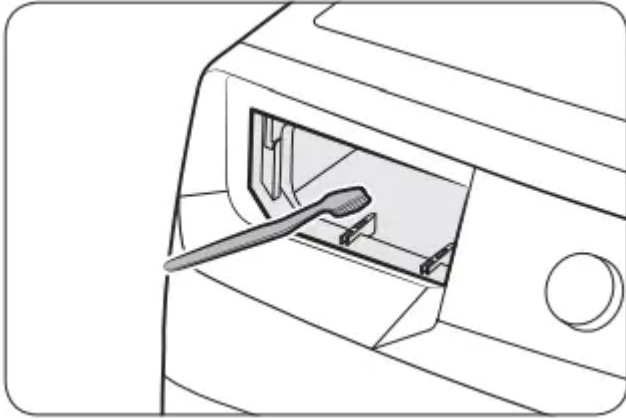
Detergent drawer



1. Open the drawer.
2. While holding down the release lever (A), remove the drawer.
3. Remove the liquid detergent container from the drawer.

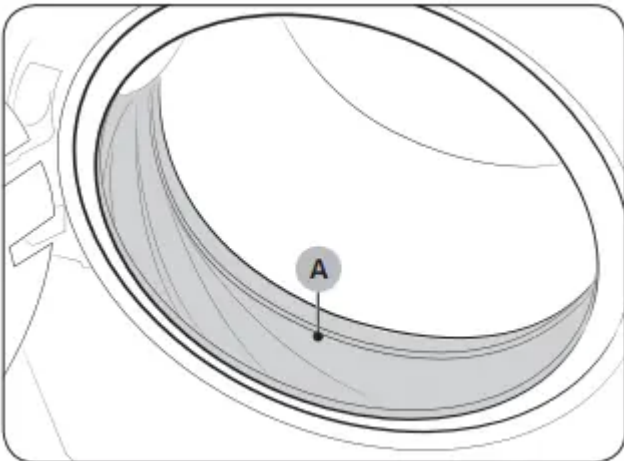


4. Clean the drawer components in running water using a soft brush.



5. Clean the drawer recess using a soft brush.
 6. Reinsert the liquid detergent container into the detergent drawer.
 7. Slide the drawer into the drawer recess, and then push it inward until it is fully closed
- NOTE** To remove remaining detergent, run the RINSE+SPIN cycle with the drum empty.

Door diaphragm



1. Open the door, and then empty the drum.
2. Combine 3/4 cups of liquid chlorine bleach and 1 gallon of warm tap water.
3. Wearing rubber gloves, use a soft, clean cloth dipped in the water and bleach solution to clean the diaphragm.
4. Let stand 5 minutes, and then wipe up and dry well.

Recovery from freezing



The washer may freeze when the temperature in its location drops below 32 °F (0 °C).

1. Turn off the washer, and then unplug the power cord.
2. Pour warm water over the water tap to loosen the water hose.
3. Disconnect the water hose, and then soak it in warm water.

4. Pour warm water into the drum and leave it for about 10 minutes.
5. Reconnect the water hose to the water tap.

Care for an extended period of non-use

Avoid leaving the washer unused for an extended time. However, if you intend to leave the washer unused for a long period of time, follow the directions below:

1. Tap 
2. Turn the Navigation dial to select Rinse+Spin.
3. Empty the drum, and then tap and hold  .
4. When the cycle is complete, close the water taps and disconnect the water hoses.
5. Turn off the washer, and then unplug the power cord.
6. Open the door to let air circulate through the drum.

Cleaning the exterior

1. Turn off the water taps after finishing the day's washing. This will shut off the water supply to your washer and prevent the unlikely possibility of damage from escaping water. Leave the door open to allow the inside of your washer to dry out.
2. Use a soft cloth to wipe up all detergent, bleach, or other spills as they occur. Clean the following as recommended below:
 - Control Panel – Clean with a soft, damp cloth. Do not use abrasive powders or cleaning pads. Do not spray cleaners directly on the panel.
 - Cabinet – Clean with soap and water

Cleaning the interior


Clean the interior of your washer periodically to remove any dirt, soil, odor, mold, mildew, or bacterial residue that may remain in your washer as a result of washing clothes.



CAUTION Failure to follow these instructions may result in unpleasant conditions, including odors and/or permanent stains on your washer or laundry

Troubleshooting

Checkpoints

If you encounter a problem with the washer, first check the table below and try the suggestions.

Problem	Action
Does not start	<ul style="list-style-type: none"> • Make sure the washer is plugged in. • Make sure the door is properly closed. • Make sure the water taps are open. • Tap and hold  to start the washer. • Make sure Child Lock is not activated. • Before the washer starts to fill, it will make a series of clicking noises to check the door lock and will do quick drain. • Check the fuse or reset the circuit breaker. • Check if power is supplied properly. • Low voltage detected. <ul style="list-style-type: none"> ◦ Check if the power cord is plugged in. • Make sure laundry is not caught in the door
Water supply is insufficient, or no water is supplied.	<ul style="list-style-type: none"> • Fully open the water tap. • Make sure the door is properly closed. • Make sure the water supply hose is not frozen. • Make sure the water supply hose is not kinked or clogged. • Make sure there is sufficient water pressure. • Make sure that the cold water tap and the hot water tap are properly connected. • Clean the mesh filter as it may be clogged.
After a cycle, detergent remains in the detergent drawer	<ul style="list-style-type: none"> • Make sure the washer is running with sufficient water pressure • Make sure the detergent is added to the centre of the detergent drawer. • Make sure the rinse cap is inserted properly. • If using granular detergent, make sure the detergent selector is in the upper position. • Remove the rinse cap and clean the detergent drawer.
Excessive vibrations or makes noise.	<ul style="list-style-type: none"> • Make sure the washer is installed on a level, solid floor that is not slippery. If the floor is not level, use the levelling feet to adjust the height of the washer.

	<ul style="list-style-type: none"> • Make sure the shipping bolts are removed. • Make sure the washer is not in contact with any other object. • Make sure the laundry load is balanced. • The motor can cause noise during normal operation. • Overalls or clothes with metallic decorations can cause noise while being washed. This is normal. • Metal objects such as coins can cause noise. After washing, remove these objects from the drum or filter case. • Redistribute the load. If only one item of clothing needs washing, such as a bathrobe or pair of jeans, the final spin result might be unsatisfactory, and a “Unbalanced laundry detected” check message will be shown in the display
Does not drain and/or spin.	<ul style="list-style-type: none"> • Make sure the drain hose is straightened all the way to the drain system. If you encounter a drain problem, call for service. • Make sure the debris filter is not clogged. • Close the door and tap and hold . For your safety, the washer will not tumble or spin unless the door is closed • Make sure the drain hose is not frozen or clogged. • Make sure the drain hose is connected to a drain system that is not clogged. • If the washer is not supplied with sufficient power, the washer will temporarily not drain or spin. As soon as the washer regains sufficient power, it will operate normally. • Make sure the drain hose is positioned correctly, depending on the connection type. • Clean the debris filter as it may be clogged.
The door does not open	<ul style="list-style-type: none"> • Tap  to stop the washer. • It may take a few moments for the door lock mechanism to disengage. • The door will not open until 3 minutes after the washer has stopped or the power has been off. • Make sure all the water in the drum is drained. • The door may not open if water remains in the drum. Drain the drum and open the door manually.

	<ul style="list-style-type: none"> • Make sure the door lock light is off. The door lock light turns off after the washer has drained.
Excessive suds.	<ul style="list-style-type: none"> • Make sure you use the recommended types of detergent as appropriate. • Use high efficiency (HE) detergent to prevent oversudsing. • Reduce the detergent amount for soft water, small loads, or lightly soiled loads. • Non-HE detergent is not recommended.
Does not drain and/or spin.	<ul style="list-style-type: none"> • Check the fuse or reset the circuit breaker. • Make sure the electrical voltage is normal. • Make sure the washing machine is plugged in. • Make sure the drain hose is pointed downward. (Natural drain models only) • Make sure the drain hose is not clogged. • Make sure the drain hose is not kinked. • Straighten the drain hose. If there is a drain restriction, call for service. • Close the door, and then press or tap Start/Pause (Hold to Start). For your safety, the washing machine will not spin unless the door is closed.
Load is wet at the end of the cycle.	<ul style="list-style-type: none"> • Use the High or Extra High spin speed cycle. (Applicable model only) • Use high efficiency (HE) detergent to reduce oversudsing. • The load is too small. Small loads (one or two items) may become unbalanced and not spin completely
Leaks water	<ul style="list-style-type: none"> • Make sure all hose connections are tight. • Make sure the water supply hoses' rubber washers are in the correct position. Screw tightly again. • Make sure the end of the drain hose is correctly inserted and secured to the drain system. • Avoid overloading. • Use high efficiency (HE) detergent to prevent oversudsing. • Make sure the water supply hose is not kinked.

	<ul style="list-style-type: none"> • If the water supply pressure is too strong, water may leak. Close the water tap a little. • Make sure water is not leaking from the water tap. If it is, repair the water tap
Excessive suds.	<ul style="list-style-type: none"> • Use high efficiency (HE) detergent to prevent oversudsing. • Reduce the detergent amount for soft water, small loads, or lightly soiled loads • Non-HE detergent is not recommended.
Cannot add additional detergent	<ul style="list-style-type: none"> • Make sure the remaining amount of detergent and fabric softener is not over the limit.
Stops	<ul style="list-style-type: none"> • Plug the power cord into a live electrical outlet. • Check the fuse or reset the circuit breaker. • Close the door, and then press or tap Start/Pause (Hold to Start) to start the washing machine. For your safety, the washing machine will not spin unless the door is closed. • Before the washing machine starts to fill, it will make a series of clicking noises to check the door lock, and then does a quick drain. • There may be a pause or soak period in the cycle. Wait briefly and the washing machine may start. • Make sure the inlet hose filters at the taps are not clogged. Periodically clean the filters. • If the washer is not supplied with sufficient power, the washer will temporarily not drain or spin. As soon as the washer regains sufficient power, it will operate normally.
Fills with the wrong temperature water.	<ul style="list-style-type: none"> • Fully open both water taps. • Make sure the temperature selection is correct. • Make sure the hoses are connected to the correct water taps. Flush water lines. • Disconnect the hoses and clean the mesh filters. The water inlet mesh filters may be clogged. See page 46. • While the washing machine fills, the water temperature may change as the automatic temperature control feature checks incoming water temperature. This is normal.

	<ul style="list-style-type: none"> • While the washing machine fills, you may notice just hot and/or just cold water going through the dispenser when cold or warm temperatures are selected. This is a normal function of the automatic temperature control feature as the washing machine determines the water temperature.
Load is wet at the end of the cycle.	<ul style="list-style-type: none"> • Use the High or Extra High spin speed cycle. (Applicable model only) • Use high efficiency (HE) detergent to reduce oversudsing. • The load is too small. Small loads (one or two items) may become unbalanced and not spin completely. • Make sure the drain hose is not kinked or clogged.
Leaks water	<ul style="list-style-type: none"> • Make sure the door is properly closed. • Make sure all hose connections are tight. • Make sure the end of the drain hose is correctly inserted and secured to the drain system. • Avoid overloading. • Use high efficiency (HE) detergent to prevent oversudsing. • Check the drain hose. <ul style="list-style-type: none"> ◦ Make sure the end of the drain hose is not placed on the floor. ◦ Make sure the drain hose is not clogged.
Has odours	<ul style="list-style-type: none"> • Excessive suds collect in recesses and can cause foul odours. • Run cleansing cycles to sanitise periodically. • Clean the door seal (diaphragm). • Dry the washer interior after a cycle has finished.
A message appears on the display to alert that dispenser is open.	<ul style="list-style-type: none"> • Check if the detergent drawer is closed properly. <ul style="list-style-type: none"> ◦ Open the detergent drawer and close it again. Make sure it's closed properly

If a problem persists, contact a service center. The number of the service center is on the label attached to the product.



Information codes

The washer may display information codes to help you understand what is occurring with your washer better.

Code	Meaning
Check drainage	<p>Water is not draining.</p> <ul style="list-style-type: none"> • Make sure the drain hose is not frozen or clogged • Make sure the drain hose is positioned correctly, depending on the connection type. • Clean the debris filter as it may be clogged. • Make sure the drain hose is straightened all the way to the drain system. • If the information code remains, contact a customer service centre
Check water supply	<p>Water is not supplied.</p> <ul style="list-style-type: none"> • Make sure the water taps are open. • Make sure the water hoses are not clogged. • Make sure the water taps are not frozen. • Make sure the washer is operating with sufficient water pressure. • Make sure that the cold water tap and the hot water tap are properly connected. • Clean the mesh filter as it may be clogged. • All buttons will be disabled for 3 minutes after the information code appears. • When the "Check water supply" message appears, the machine drains water for 3 minutes. In the meantime, the Power button will be disabled.
Check water lines	<ul style="list-style-type: none"> • Make sure the cold water supply hose is firmly connected to the cold water tap. If it is connected to the hot water tap, the laundry may be deformed with some cycles.
Unbalanced laundry detected	<p>Spinning does not work</p> <ul style="list-style-type: none"> • Make sure laundry is spread out evenly. • Make sure the washer is on a flat, stable surface. • Redistribute the load. If only one item of clothing needs washing, such as a bathrobe or pair of jeans, the final spin result might be unsatisfactory, and an "Unbalanced laundry detected" check message will be shown in the display.



Door is open	<p>Operating the washer with the door open.</p> <ul style="list-style-type: none"> • Make sure the door is properly closed. • Make sure laundry is not caught in the door
OC	<p>Water has overflowed.</p> <ul style="list-style-type: none"> • Restart after spinning. • If the information code remains on the display, contact a local Samsung service centre.
LC, LC1	<p>Check the drain hose.</p> <ul style="list-style-type: none"> • Make sure the end of the drain hose is not placed on the floor. • Make sure the drain hose is not clogged. • If the information code remains, contact a customer service centre
3C	<p>Check the motor for operation.</p> <ul style="list-style-type: none"> • Try restarting the cycle. • If the problem continues, call for service.
HC	<p>High temperature heating check</p> <ul style="list-style-type: none"> • If the information code remains, contact a customer service centre.
1C	<p>The Water Level sensor is not working properly.</p> <ul style="list-style-type: none"> • Turn the machine off, and restart the cycle. • If the information code remains, contact a Samsung customer service center.
AC	<p>Check communications between main and sub PBAs</p> <ul style="list-style-type: none"> • Turn the machine off, and restart the cycle. • If the information code remains, contact a customer service centre
AC6	<p>Check communications between the main and the inverter PBAs.</p> <ul style="list-style-type: none"> • Depending on the state, the machine may automatically returns to normal operation • Turn the machine off, and restart the cycle.





	<ul style="list-style-type: none"> • If the information code remains, contact a customer service centre
9C2	<p>Low voltage detected.</p> <ul style="list-style-type: none"> • Check if the power cord is plugged in. • Turn off the washer, unplug it, wait one minute, and then plug the washer in again. If the information code remains, contact a Samsung customer service centre
DC1	<p>The Main Door lock/unlock is not working properly.</p> <ul style="list-style-type: none"> • Turn the machine off, and restart the cycle • If the information code remains, contact a customer service centre

Specifications

Fabric care chart

The following symbols provide garment care direction. The clothing care labels include symbols for drying, bleaching, drying and ironing, or dry cleaning when necessary. The use of symbols ensures consistency among garment manufacturers of domestic and imported items. Follow care label directions to optimize garment life and reduce laundering problems

Wash cycle

	Normal
	Permanent press/Wrinkle resistant/ Wrinkle control
	Gentle/Delicates
	Hand wash

Water temperature




•••	Hot
••	Warm
•	Cold

NOTE This represents appropriate wash water temperatures for various items. The temperature range for Hot is 105° - 125 °F / 41° - 52 °C, for Warm 85° - 105 °F / 29° - 41 °C, and for Cold 60° -



85 °F / 16° - 29 °C. (Wash water temperature must be a minimum of 60 °F / 16 °C for detergent activation and effective cleaning.)

The clothes washer can not ensure these temperatures because the actual temperature of the water entering your washer depends on water heater settings and regional water supply temperatures. For example, cold water entering the home in the northern states during winter may be 40 °F / 4 °C which is too cold for effective cleaning. In this situation, you will need to adjust the water temperature by selecting a warm setting, adding some hot water to the MAX FILL line, or using your washer’s heating option, if available

Bleach

	Any bleach (when needed)
	Only non-chlorine (color-safe) bleach (when needed)
	Tumble dry

Normal






	Permanent press/Wrinkle resistant/ Wrinkle control
	Gentle/Delicates

Special instructions



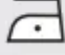
	Line dry/Hang to dry
	Drip dry
	Dry flat

Heat setting


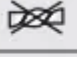
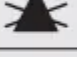
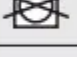




	High
	Medium
	Low
	Any heat
	No heat / Air




Iron dry or steam temperatures

	High
	Medium
	Low

Warning symbols for laundering

	Do not wash
	Do not wring
	Do not bleach
	Do not tumble dry
	No steam (added to iron)
	Do not iron

Dry-clean

	Dry-clean
	Do not dry-clean
	Line dry/Hang to dry
	Drip dry
	Dry flat

Protecting the environment

- This appliance is manufactured from recyclable materials. If you decide to dispose of it, please observe local waste disposal regulations. Cut off the power cord so that the appliance cannot be connected to a power source. Remove the lid so that animals and small children cannot get trapped inside the appliance.
- Do not exceed the detergent quantities recommended in the detergent manufacturers' instructions.
- Use stain removal products and bleaches before the wash cycle only when necessary.
- Save water and electricity by only washing full loads (the exact amount depends upon the program used)

Declaration of conformity

This appliance complies with UL2157.

Specification sheet

Type		Front loading washer	
		WF50A86**A*	WF45A64**A*
Water pressure (psi (kPa))		20-116 (137-800)	
NET weight (lb (kg))		216 (98.0)	201 (91.0)
Spin revolution		1200 rpm	
Heating rating		900 W	
Power consumption	Washing	120 V	200 W
	Washing and heating		1150 W
	Spin		550 W
	Drain		80 W

Warning

This content is compiled from multiple sources and is provided for reference purposes only. It may not be complete or fully applicable to all situations. If you are unable to resolve your issue, please contact the product manufacturer or an authorized service provider for official support.

Document generated by [ManualsFile](#)

