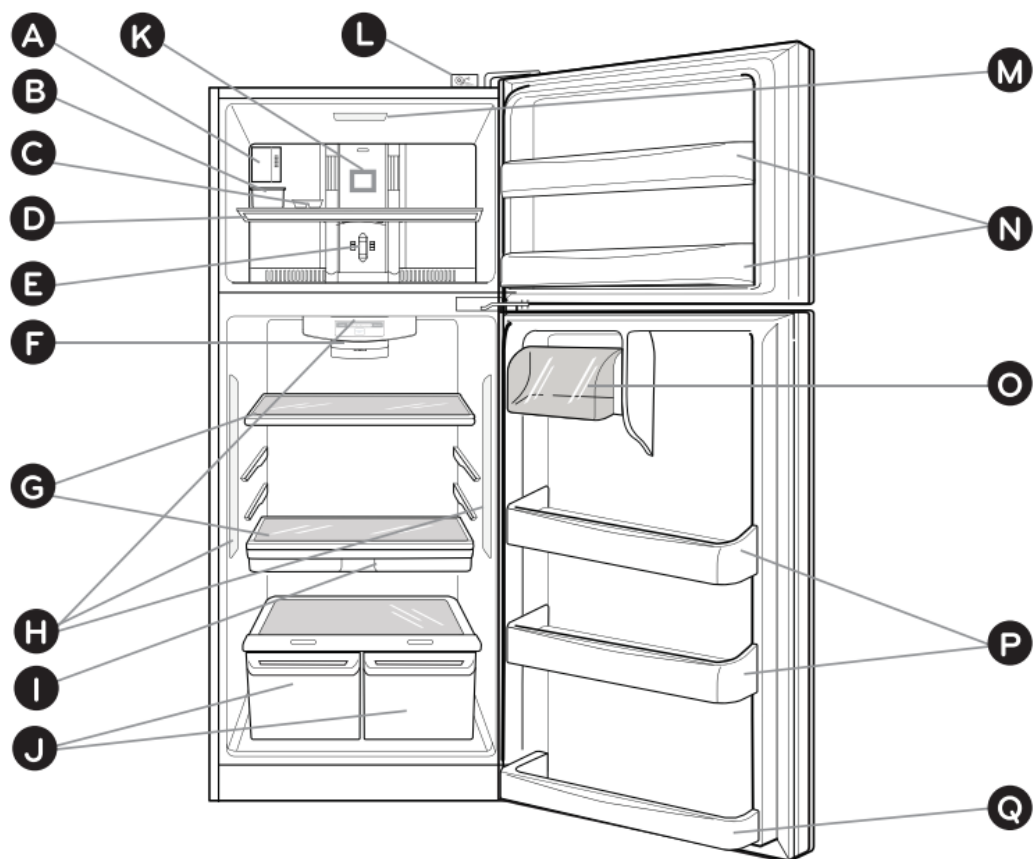
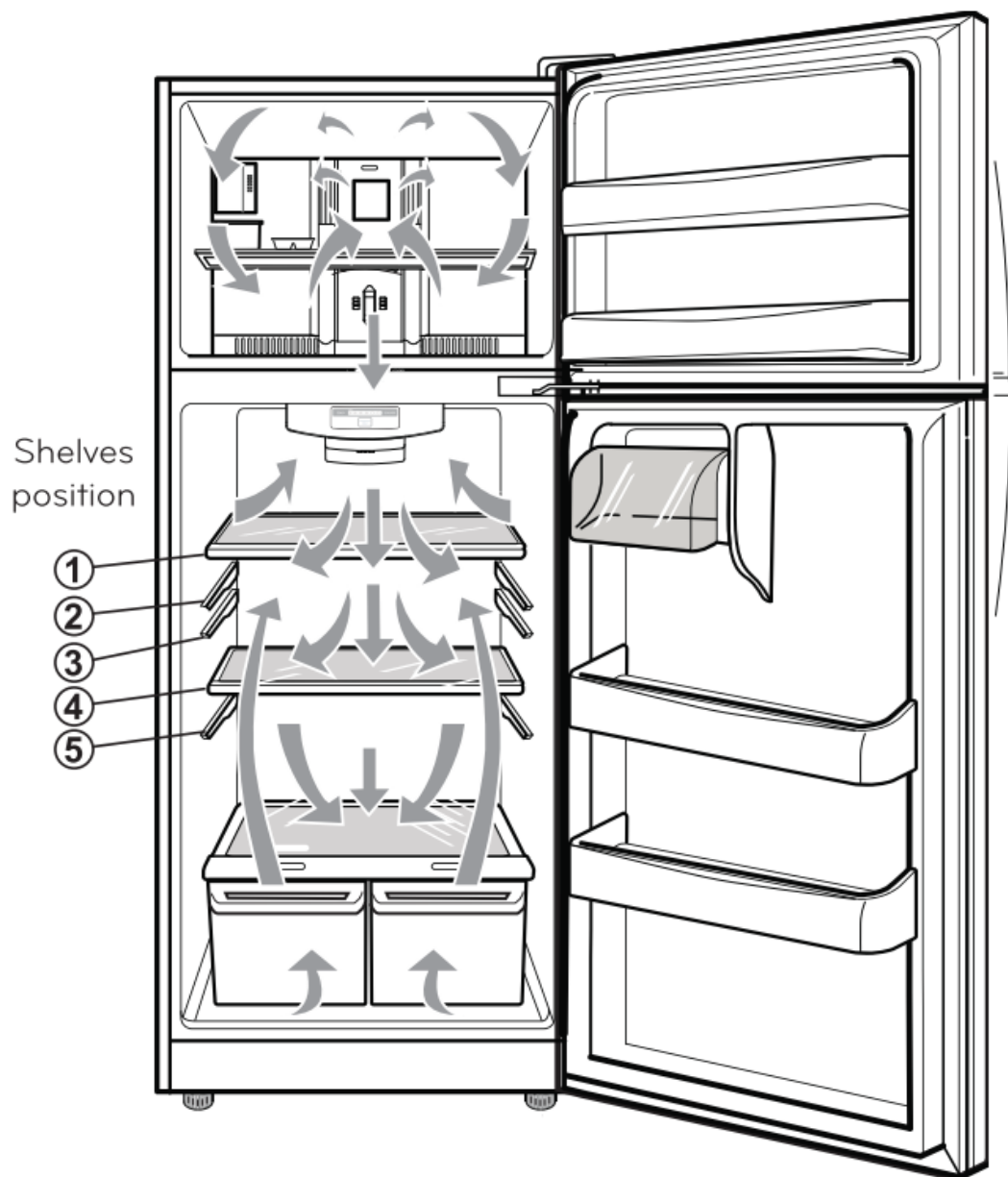
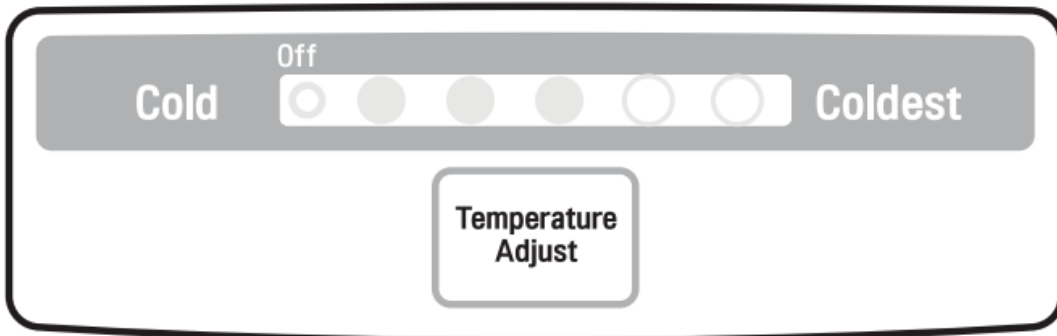
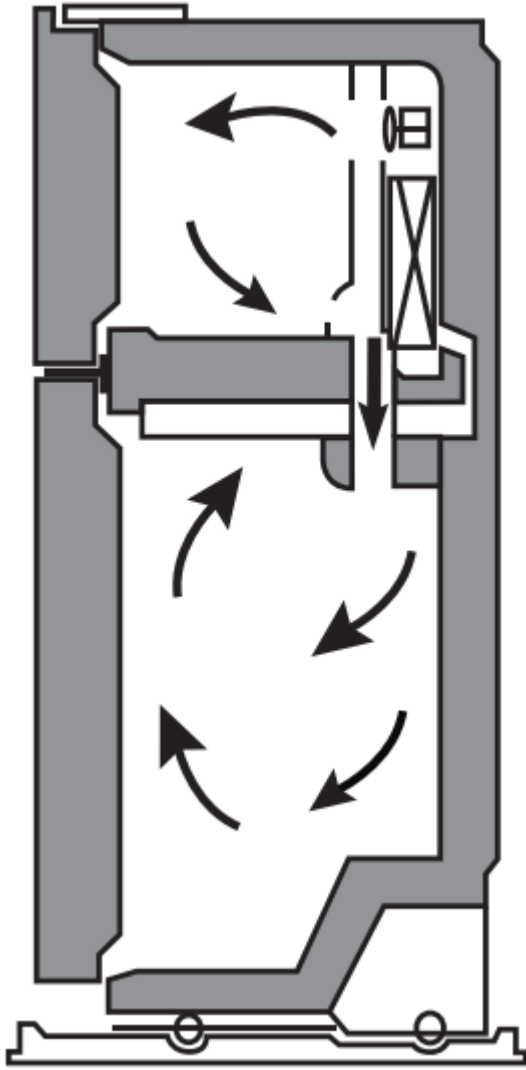


USER MANUAL RIFRIGERATOR







Allow 24 h for adjustments
Esperar 24 h para percibir cambios

Coldest
Mas Frio

5

4

3

2

1

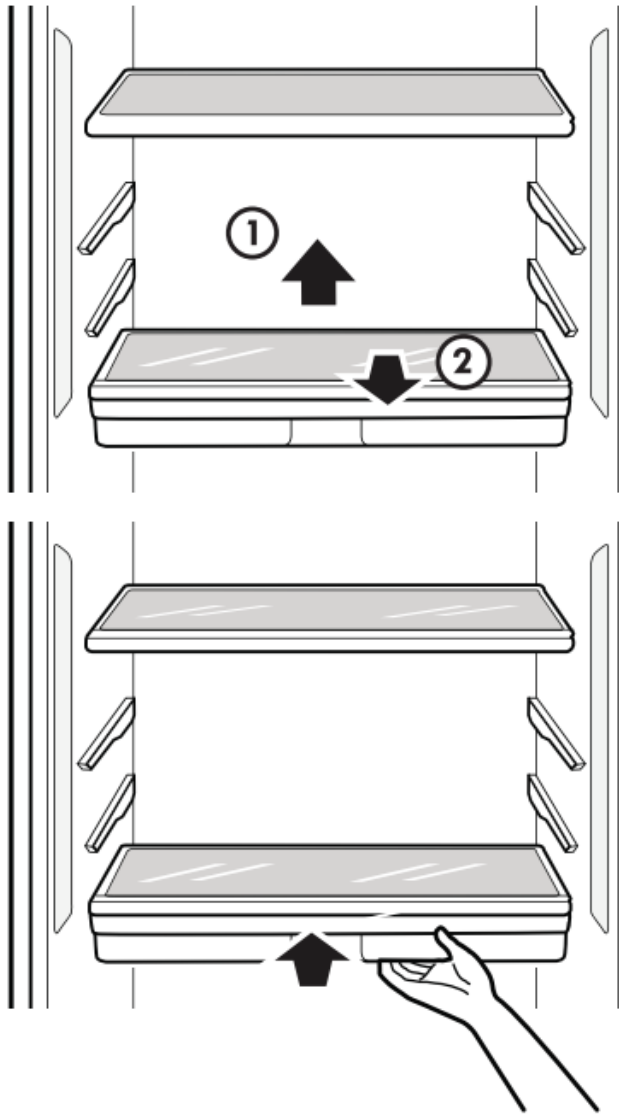
+

-

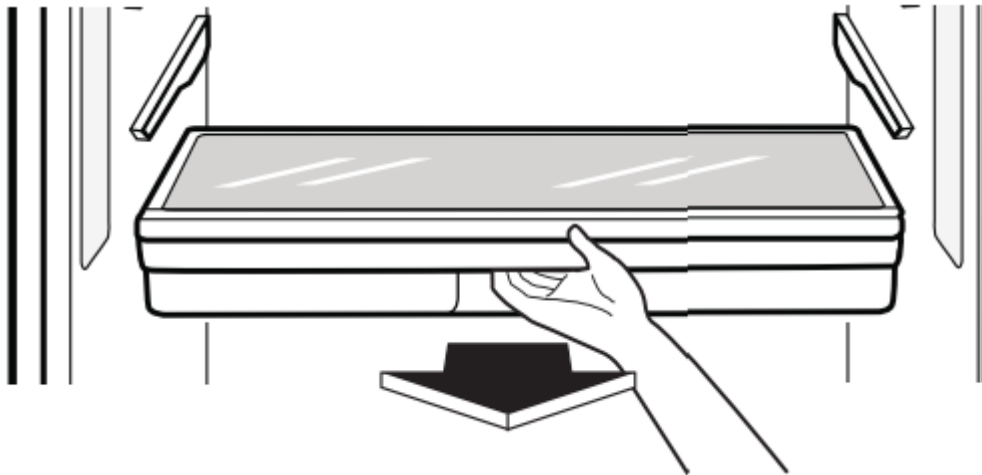
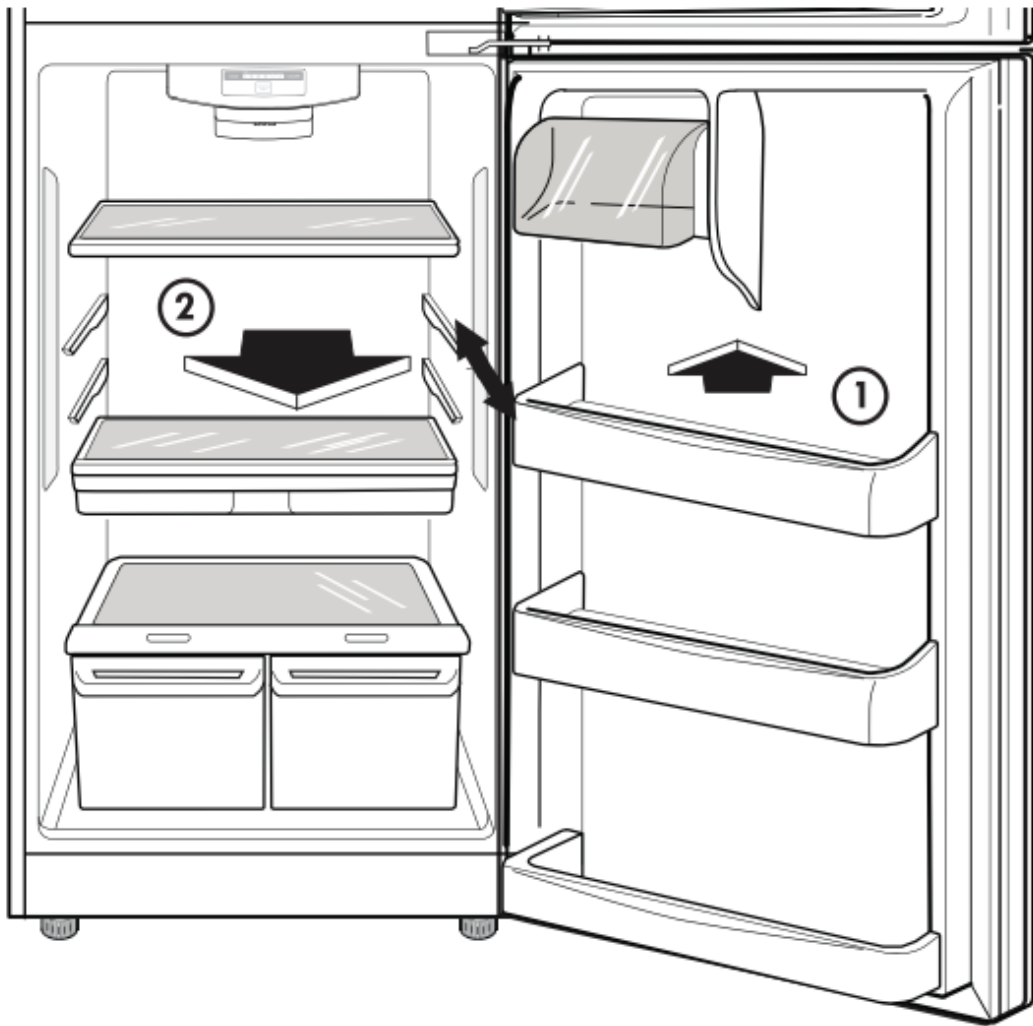
Cold
Frio

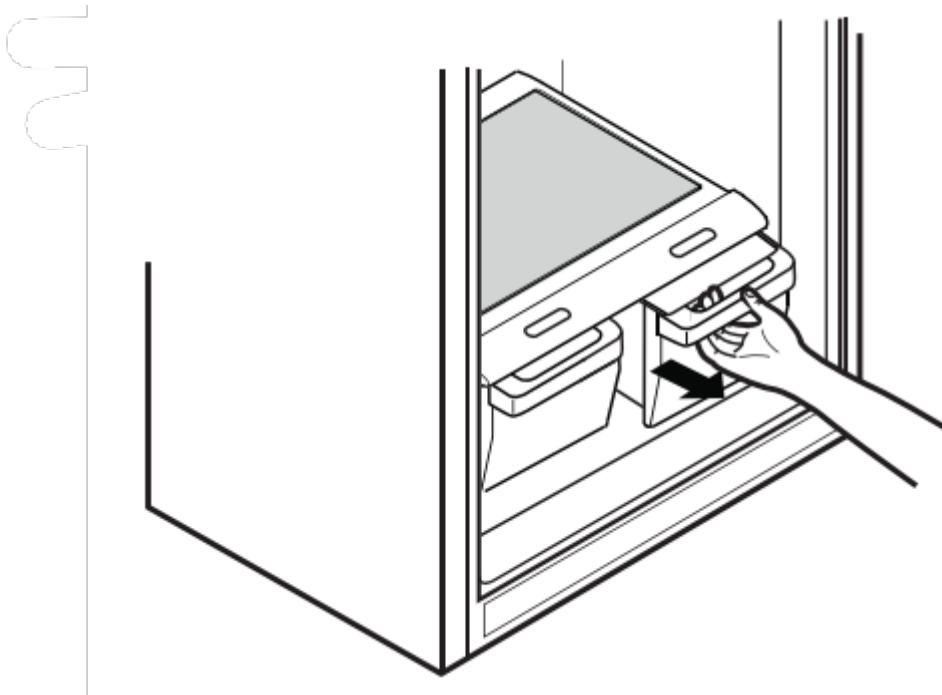
3 Recommended
Recomendado

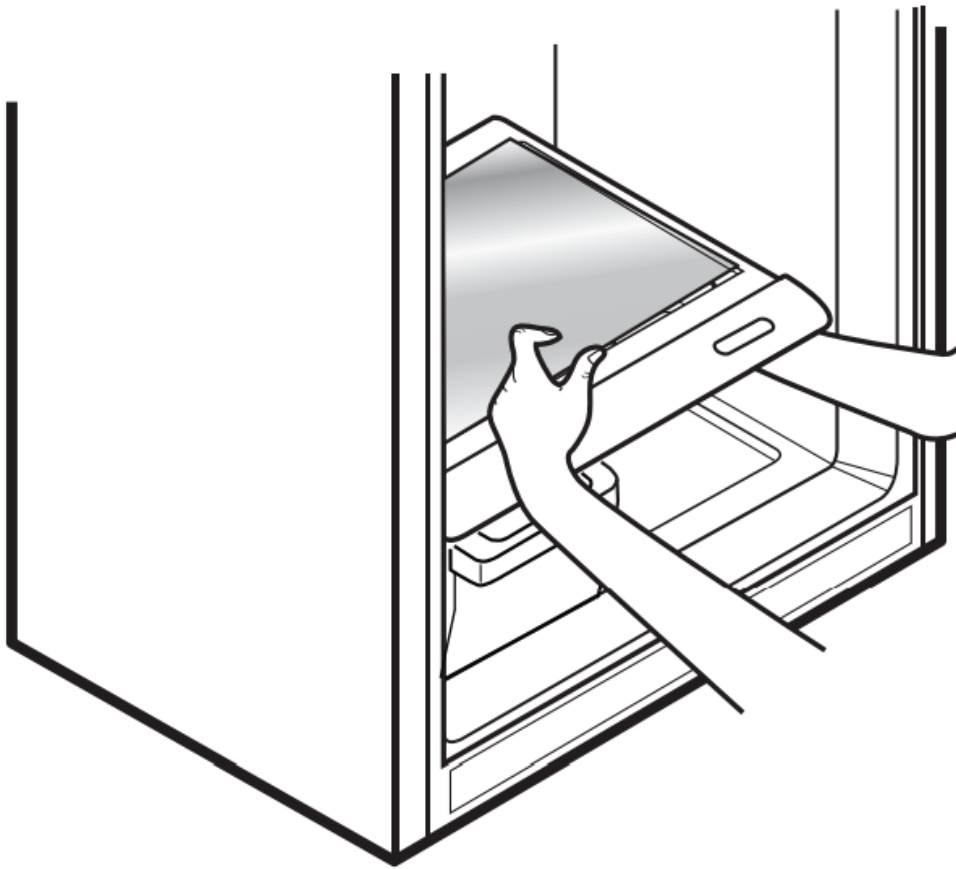
Temperature Control
Freezer / Congelador

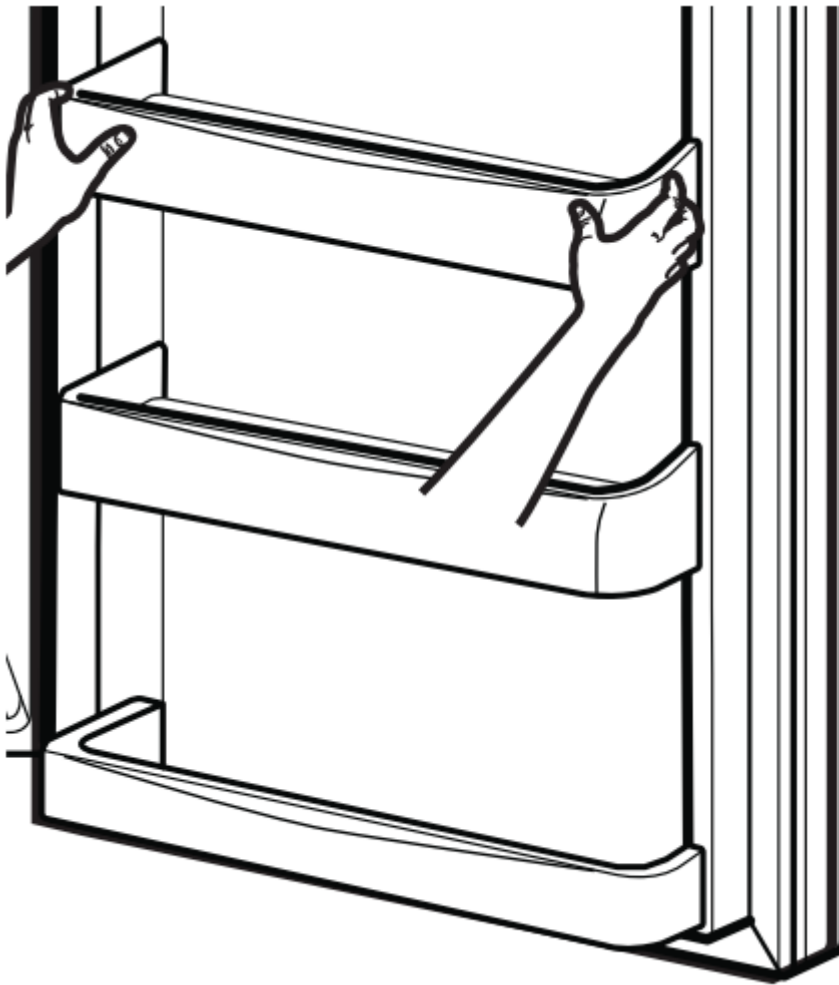
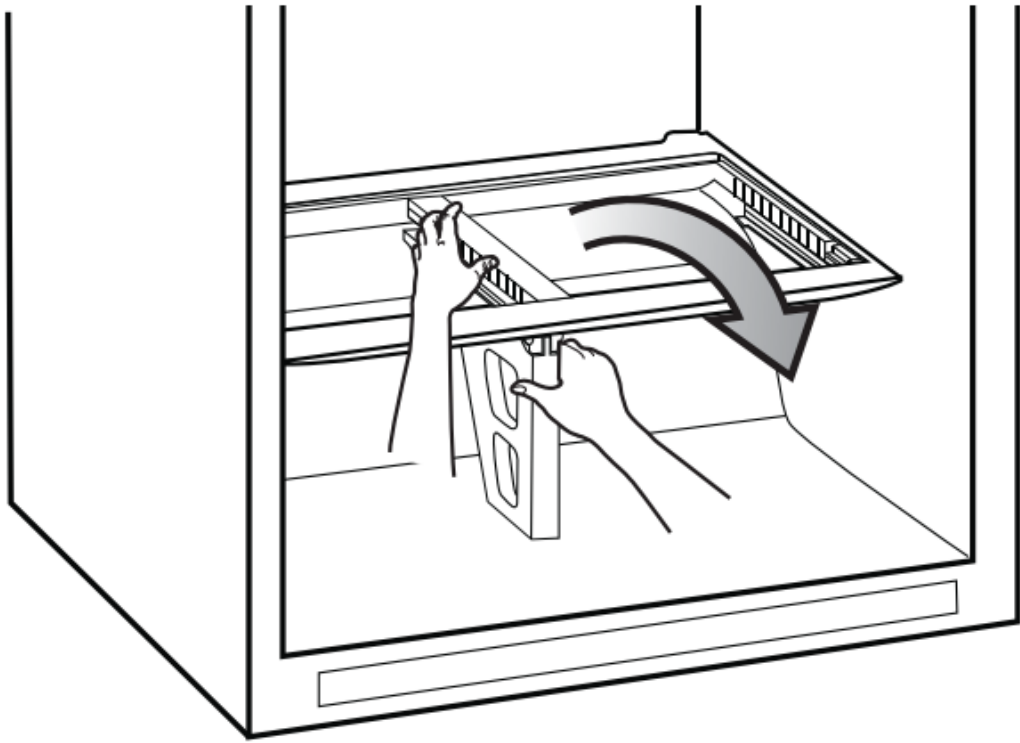


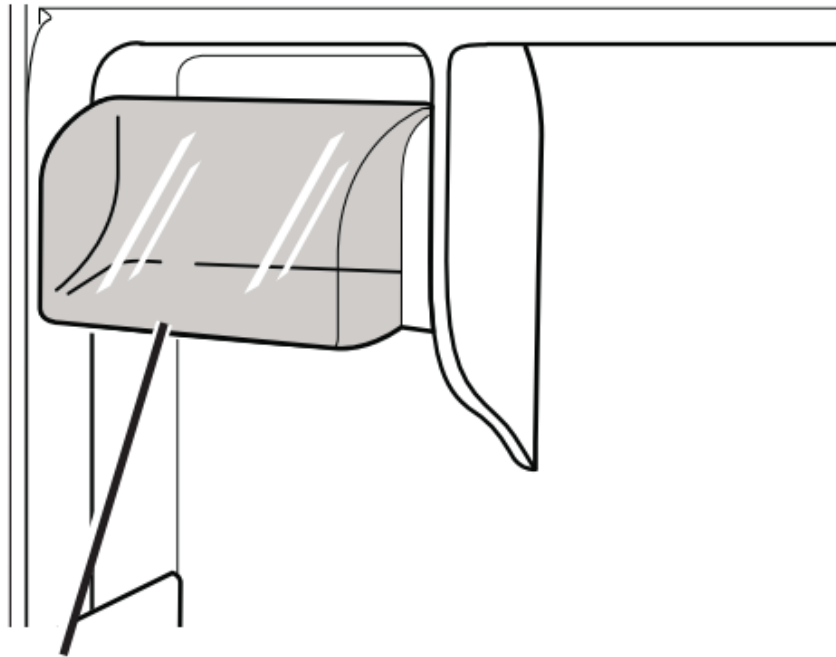
To reinstall a shelf-
Slide the shelf into
the guides until it
stops.











Dairy Bin

Warning

This content is compiled from multiple sources and is provided for reference purposes only. It may not be complete or fully applicable to all situations. If you are unable to resolve your issue, please contact the product manufacturer or an authorized service provider for official support.