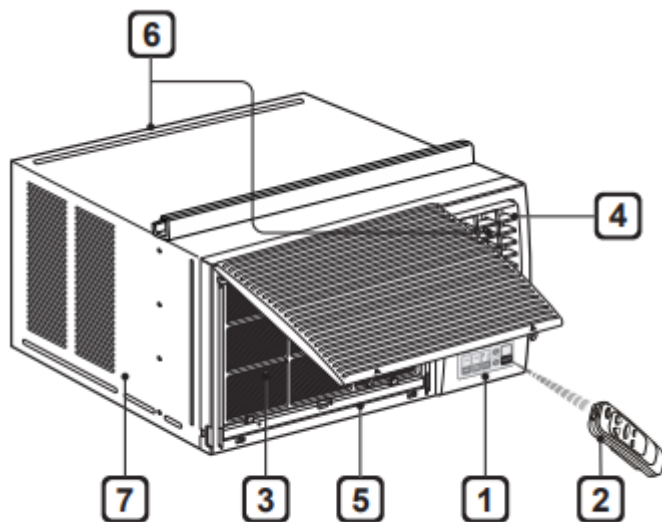


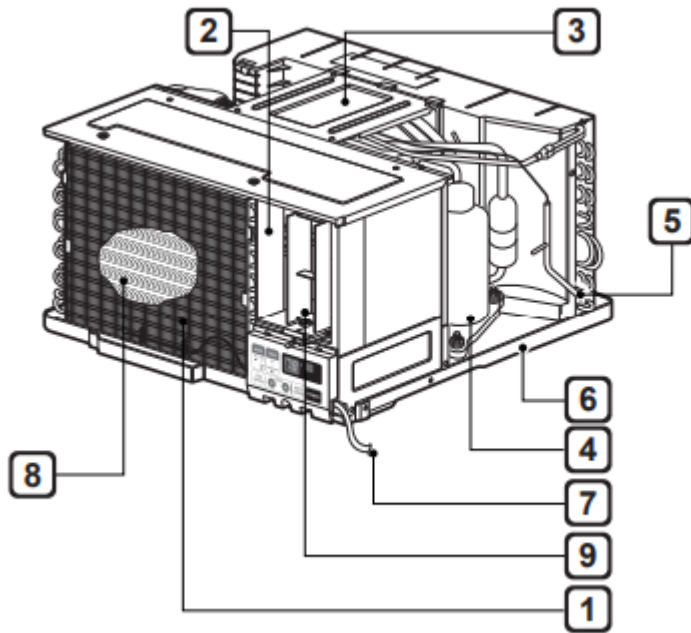
## PRODUCT OVERVIEW

### Exterior Parts



1. Control Panel
2. Remote Control
3. Air Filter
4. Vertical Air Deflector (Horizontal Louver)
5. Front Grille
6. Air Outlet
7. Cabinet

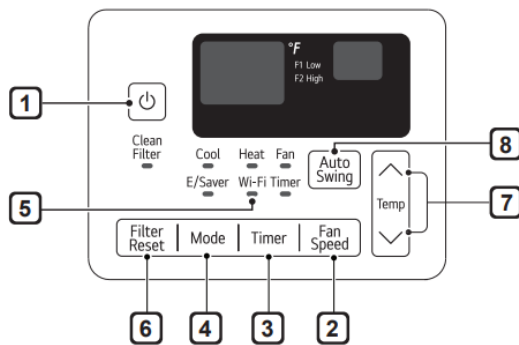
### Interior Parts



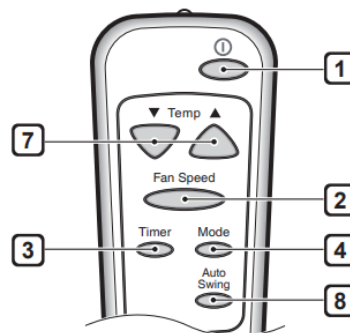
1. Evaporator
2. Air Guide
3. Brace
4. Compressor
5. Condenser
6. Base Pan
7. Power Cord
8. Electric Heater
9. Horizontal Air Deflector (Vertical Louver)

## OPERATION

### Control Panel and Remote Control



### Remote Control



## 1. Power

Press to turn the air conditioner ON or OFF.

## 2 Fan Speed

Press to set the fan speed to Low (F1), High (F2).

## 3. Delay ON/OFF Timer

Delay ON - When the air conditioner is off, set it to automatically turn on from 1 to 24 hours later, at its previous mode and fan settings.

Delay OFF - When the air conditioner is on, set it to automatically turn off from 1 to 24 hours later.



NOTE

- Each press of the Timer button advances the timer by 1 hour. After the last press the display returns to the temperature setting.



## 4. Operation Mode

Press the Mode button to cycle between 4 types of air conditioner operation: Energy Saver / Cool / Fan / Heat.

**Energy Saver** - In this mode the compressor and fan turn off when the set temperature is achieved. Approximately every 3 minutes the fan turns on to allow the unit sensor to accurately determine if more cooling is needed.

**Cool** - This mode is ideal on hot days to cool and dehumidify the room quickly. Use the **Temp**  |  buttons to set the desired room temperature and use the **Fan Speed** button to set the desired fan circulation speed.

**Fan** - In this mode the fan circulates air but the compressor does not run. Use the **Fan Speed** button to set fan speed to High or Low. In this mode, you cannot adjust the set temperature.

**Heat** - This mode is ideal on cold days to heat the room quickly. Use the **Temp**  |  buttons to set the desired room temperature and use the **Fan Speed** button to set the desired fan circulation speed.



## 5. Wi-Fi (Wi-Fi Model Only)

Enables connection of the air conditioner to a home Wi-Fi network.

## 6. Filter Reset

The Clean Filter LED lights up to notify you that the filter needs to be cleaned. After Filter Reset on the control panel to turn off the Clean Filter light.

## 7. Temperature Control

The thermostat monitors room temperature to maintain the desired temperature. The thermostat can be set between 60 °F-86 °F (16 °C-30 °C). Press  or  arrows to increase or decrease temperature setting.

## 8. Auto Swing

The horizontal air flow can be adjusted by pressing the Auto Swing button. Press this button once, the vertical louver will swing left and right automatically. To stop the louver at a desired angle, press Auto Swing button again.

### NOTE

- A slight heat odor may come from the unit when first switching to HEAT after the cooling season is over. This odor, caused by fine dust particles on the heater, will dissipate quickly.
- Auto Restart: If the air conditioner turns off due to a power outage, it will restart automatically once the power is restored, with the same settings as were set before the unit turned off.
- Energy Saver: The unit defaults to the Energy Saver mode each time the unit is switched on except in Fan mode or when power is restored after an electrical power outage.
- The remote control will not function properly if the AC infrared sensor is exposed to direct light or if there are obstacles between the remote control and the air conditioner.

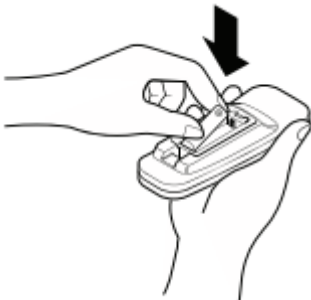
## Wireless Remote Control

### Inserting Battery

1. Push out the cover on the back of the remote control with your thumb.



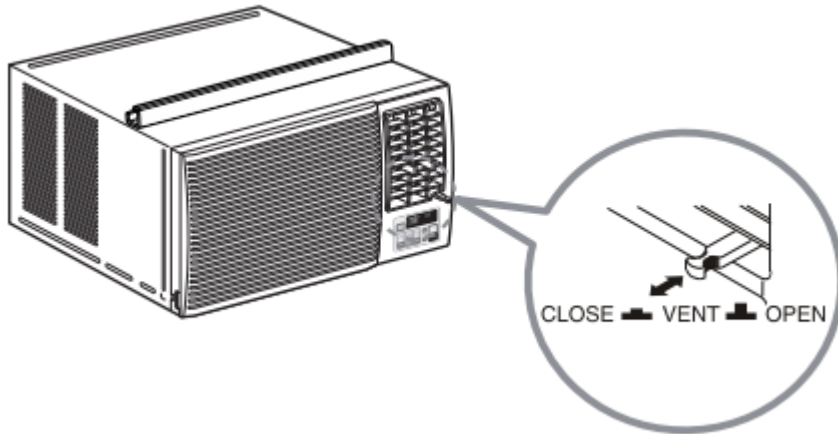
2. With the plus and minus poles facing as marked, insert one new AAA 1.5 V battery.



3. Reattach the cover.

## Ventilation

Push the ventilation lever in to the closed position to maintain the best cooling performance.  
Pull the ventilation lever out to open the vent and draw fresh air into the room.



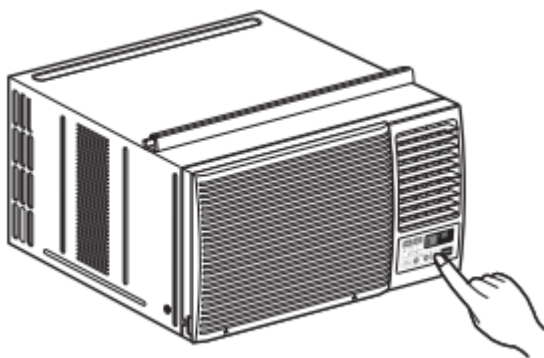
## Air Direction

Airflow can be adjusted by changing the direction of the air conditioner's louvers.

### Adjusting Horizontal Airflow Direction

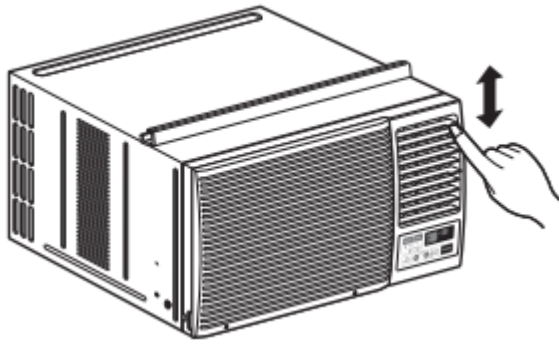
The horizontal air flow can be adjusted by pressing the Auto Swing button. Press this button once, the vertical louver will swing left and right automatically.

If you want to stop the louver at a desired angle, press Auto Swing button again.



### Adjusting Vertical Airflow Direction

Touch the horizontal louvers to adjust the airflow up or down.

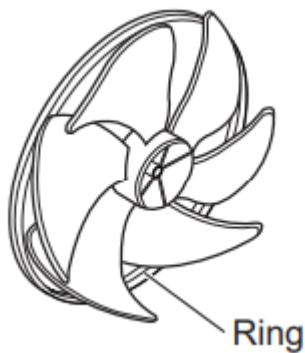


## Additional Features

### Slinger Fan

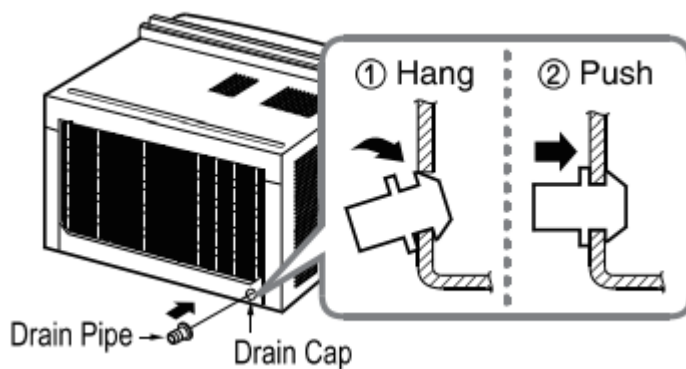
This air conditioner is equipped with a slinger fan. (See drawing.)

The fan's outer ring picks up the condensed water from the base pan if the water level gets high enough. The water is then picked up by the fan and expelled through the condenser, making the air conditioner more efficient.



### Drain Pipe

In humid weather, excess water may cause the base pan to overflow. To drain the water, remove the drain cap and secure the drain pipe to the rear hole of the base pan. Press the drain pipe into the hole by pushing down and away from the fins to avoid injury



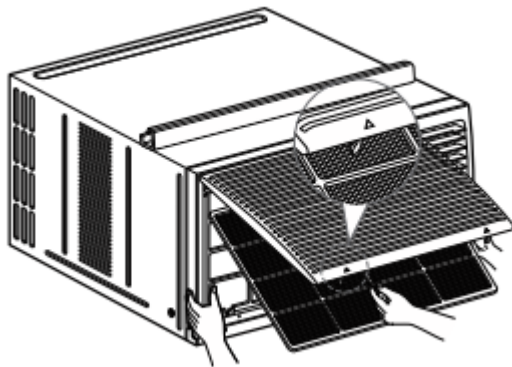
# MAINTENANCE

## Air Filter

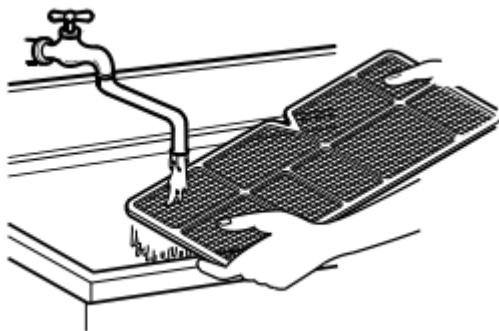
Check the air filter last twice a month to see if cleaning is necessary. Trapped particles in the filter can build up and block the airflow, reducing cooling capacity and causing an accumulation of frost on the evaporator.

## Cleaning the Air Filter

1. Lift the inlet grille. Remove the air filter from the front grille by pulling it up slightly



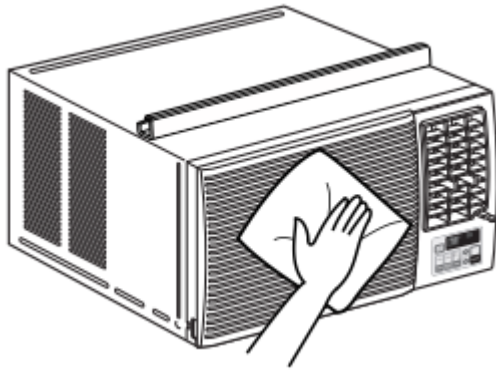
2. Wash the filter using lukewarm water below 40 °C (104 °F).



3. Gently shake the excess water from the filter and replace.

## Cleaning the Air Conditioner

- Wipe the front grille and inlet grille with a cloth dampened in a mild detergent solution.
- Wash the cabinet with mild soap or detergent and lukewarm water, then polish using liquid appliance wax.



#### NOTE

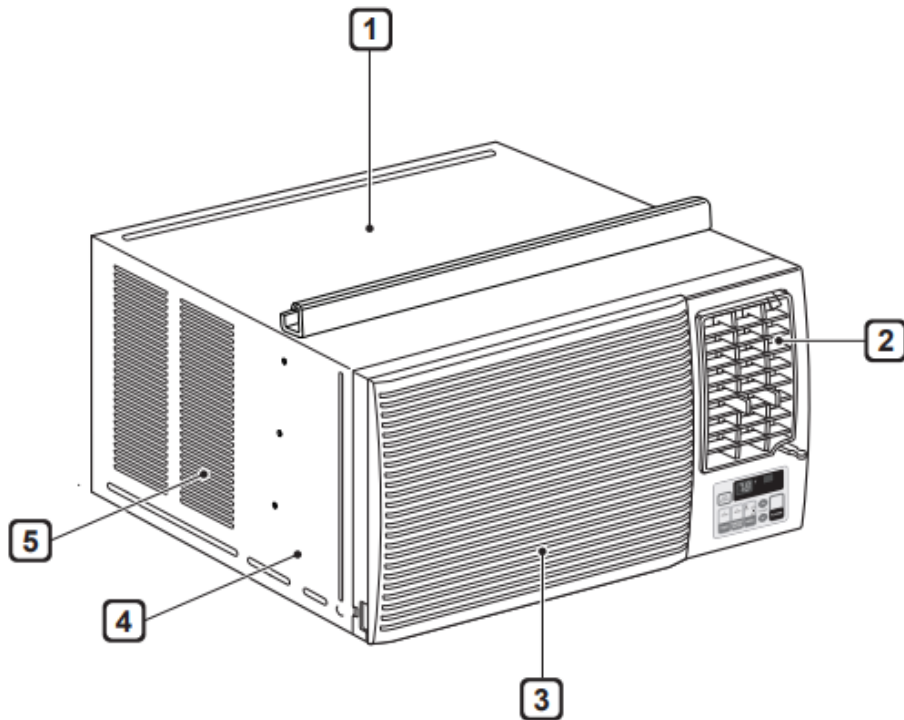
- To ensure continued peak efficiency, the condenser coils (outside of unit) should be checked periodically and cleaned if clogged with soot or dirt from outside air.
- For repair and maintenance, contact an Authorized Service Center. See the warranty page for details or call 1-800-243-0000. Have your model number and serial number available. They can be found on the side of the cabinet. Record them on page 27 for future reference.

## TROUBLESHOOTING

### Before Calling for Service

The appliance is equipped with an automatic error-monitoring system to detect and diagnose problems at an early stage. If the appliance does not function properly or does not function at all, check the following before you call for service.

## Normal Sounds You May Hear



### 1. High Pitched Chatter

Today's high efficiency compressors may have a high pitched chatter during the cooling cycle

### 2. Sound of Rushing Air

At the front of the unit, you may hear the sound of rushing air being moved by the fan.

### 3. Gurgle/Hiss

Gurgling or hissing noise may be heard due to refrigerant passing through evaporator during normal operation.

### 4. Vibration

Unit may vibrate and make noise because of poor wall or window construction or incorrect installation.

### 5. Pinging or Swishing

Droplets of water hitting condenser during normal operation may cause pinging or swishing sounds.

<b>Problem</b>	<b>Possible Cause</b>	<b>Solutions</b>
<b>Air conditioner does not start.</b>	<b>The air conditioner is unplugged.</b>	Make sure the air conditioner plug is pushed completely into the outlet.
	<b>The fuse is blown/circuit breaker is tripped.</b>	Check the house fuse/circuit breaker box and replace the fuse or reset the breaker.
	<b>Power failure.</b>	If power failure occurs, turn the mode control to off. When power is restored, wait 3 minutes to restart the air conditioner to prevent tripping of the compressor overload.
	<b>The current interrupter device is tripped.</b>	Press the <b>RESET</b> button located on the power cord plug. If the <b>RESET</b> button will not stay engaged, discontinue use of the air conditioner and contact a qualified service technician.
<b>Air conditioner does not cool as it should.</b>	<b>Airflow is restricted.</b>	Make sure there are no curtains, blinds, or furniture blocking the front of the air conditioner.
	<b>The temp control may not be set correctly.</b>	Set the desired temperature to a level lower than the current temperature.
	<b>The air filter is dirty.</b>	Clean the filter at least every 2 weeks. See the 'MAINTENANCE' section.
	<b>The room may have been hot.</b>	When the air conditioner is first turned on, you need to allow time for the room to cool down.
	<b>Cold air is escaping.</b>	Check for open furnace floor registers and cold air returns.

	<b>Cooling coils have iced up.</b>	See 'Air conditioner freezing up' below.
<b>Air conditioner freezing up.</b>	<b>The cooling coils are iced over.</b>	Ice may block the air flow and obstruct the air conditioner from properly cooling the room. Set the mode control at <b>High Fan</b> or <b>High Cool</b> .
<b>Water drips outside.</b>	<b>Hot, humid weather.</b>	This is normal.



<b>Water drips indoors.</b>	<b>The air conditioner is not tilted to the outside.</b>	For proper water disposal, make sure the air conditioner slants slightly from the cabinet front to the rear.
<b>Water collects in base pan.</b>	<b>Moisture removed from air and drains into base pan.</b>	This is normal for a short period in areas with little humidity; normal for a longer period in very humid areas.
<b>Air conditioner turns on and off rapidly.</b>	<b>Dirty air filter - air restricted.</b>	Clean air filter.
	<b>Outside temperature extremely hot.</b>	Refer to installation instructions or check with installer.
<b>Noise when unit is cooling.</b>	<b>Air movement sound.</b>	This is normal. If too loud, set to lower FAN setting.
	<b>Window vibration - poor installation.</b>	Refer to installation instructions or check with installer.
<b>Remote sensing deactivating prematurely.</b>	<b>Remote control not located within range.</b>	Place remote control within 20 feet & 120° radius of the front of the unit.
	<b>Remote control signal obstructed.</b>	Remove obstruction.
<b>Room too cold.</b>	<b>Set temperature too low.</b>	Increase set temperature.
<b>Can't connect the LG ThinQ App. to the air conditioner.</b>	<b>Air conditioner is turned off.</b>	Turn the air conditioner on.
	<b>Wireless router is turned off.</b>	Turn the router on.

<b>The air conditioner is not connecting to the Wi-Fi.</b>	<b>The Wi-Fi router is too far from the air conditioner.</b>	Move the router closer to the air conditioner or purchase and install a Wi-Fi repeater (signal booster).
	<b>You do not have permission to use the router or it is incompatible.</b>	Make sure you are selecting the correct wireless router from the list. The router must be set to 2.4 GHz.

## Wi-Fi

<b>Problem</b>	<b>Possible Cause</b>	<b>Solutions</b>
<b>Trouble connecting appliance and smartphone to Wi-Fi network.</b>	<b>The password for the Wi-Fi network was entered incorrectly.</b>	Delete your home Wi-Fi network and begin the registration process again.
	<b>Mobile data for your smartphone is turned on.</b>	Turn off the <b>Mobile data</b> on your smartphone before registering the appliance.
	<b>The wireless network name (SSID) is set incorrectly.</b>	The wireless network name (SSID) should be a combination of English letters and numbers. (Do not use special characters.)
	<b>The router frequency is not 2.4 GHz.</b>	Only a 2.4 GHz router frequency is supported. Set the wireless router to 2.4 GHz and connect the appliance to the wireless router. To check the router frequency, check with your Internet service provider or the router manufacturer.
	<b>The appliance is too far from the router.</b>	If the appliance is too far from the router, the signal may be weak and the connection may not be configured correctly. Move the router closer to the appliance or purchase and install a Wi-Fi repeater.

**Warning**

This content is compiled from multiple sources and is provided for reference purposes only. It may not be complete or fully applicable to all situations. If you are unable to resolve your issue, please contact the product manufacturer or an authorized service provider for official support.

---

Document generated by [ManualsFile](#)