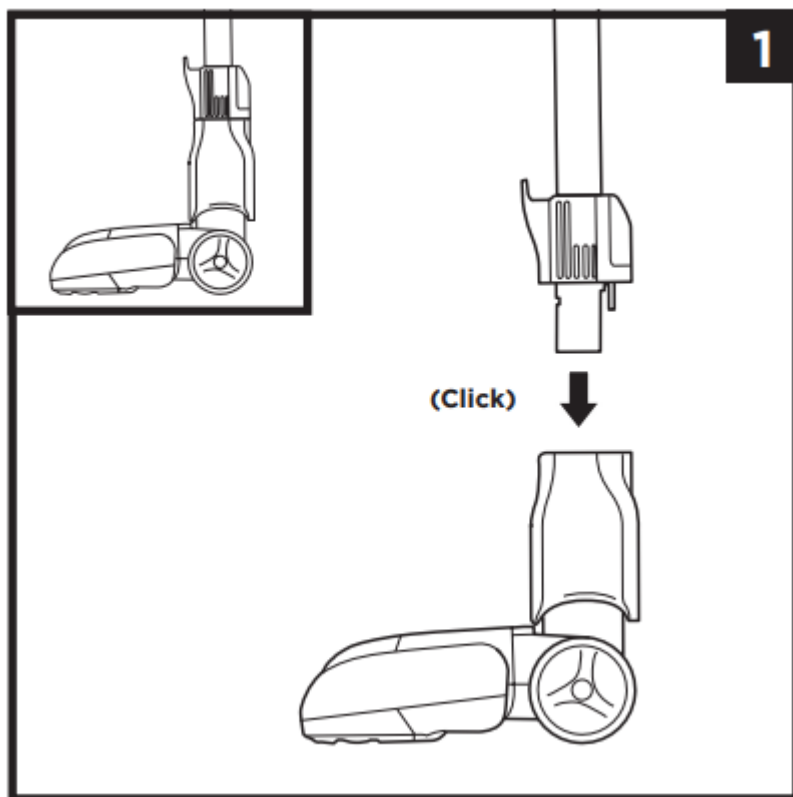
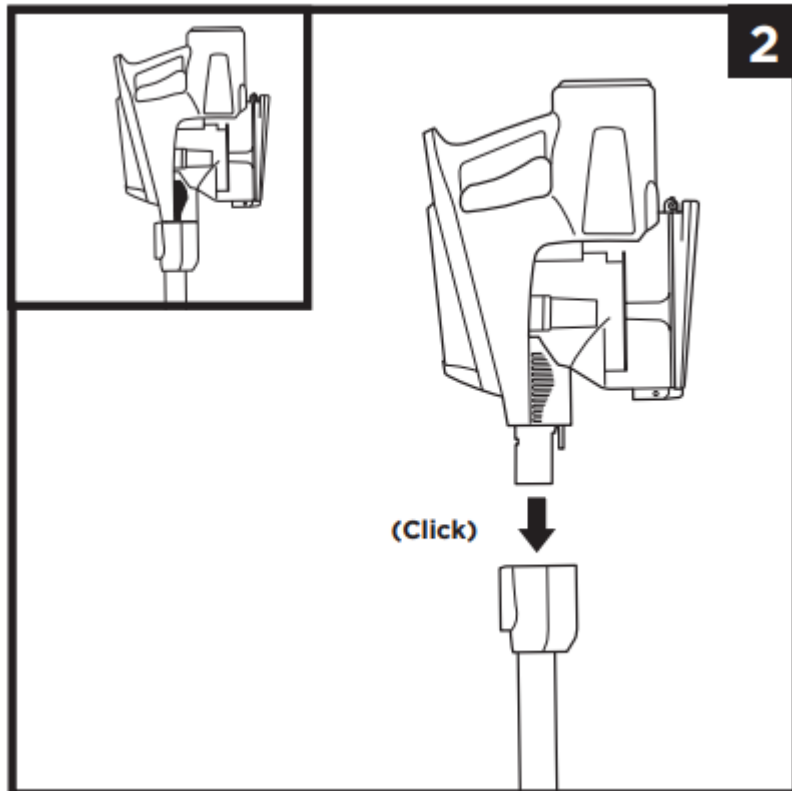


ASSEMBLY

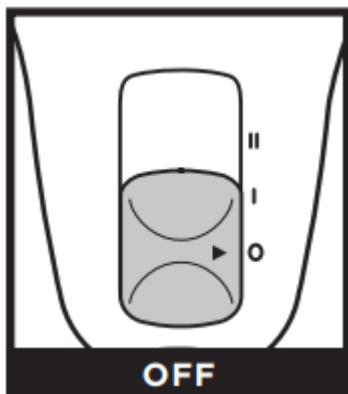


1. Insert Wand into Floor Nozzle. Ensure all connections click securely into place.

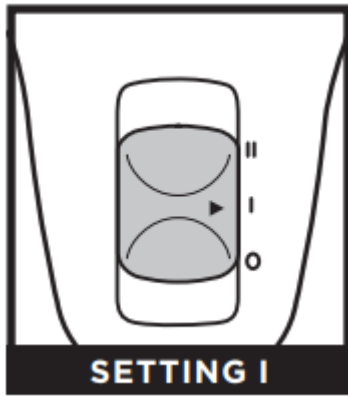


2. Insert Handheld Vacuum into the Wand.

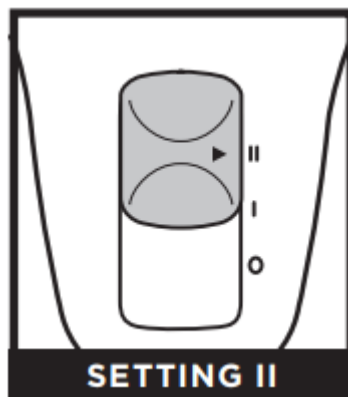
SETTINGS



- Slide switch to the bottom to turn off power. To begin vacuuming, slide switch to the appropriate setting



- Bare Floor/Small Area Rugs: The brushrolls spin slowly to clean bare floors and small area rugs.

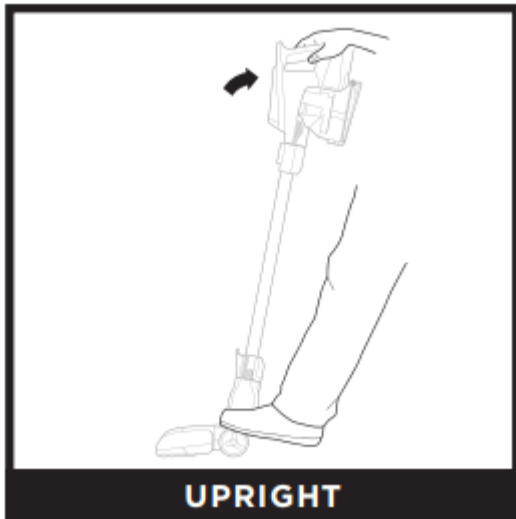


- Carpet: The brushrolls spin faster to pick up debris below the surface of your carpets.

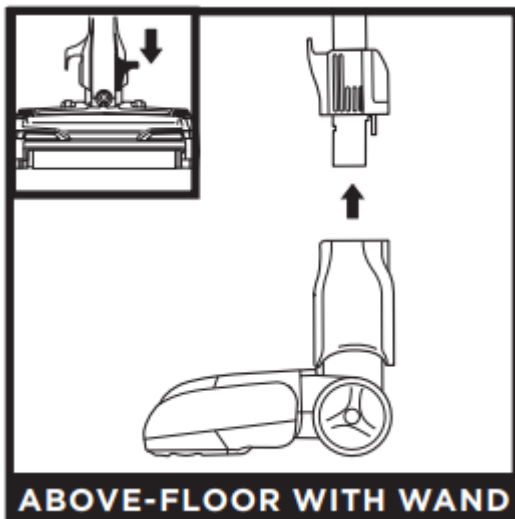
NOTE: For deep cleaning per ASTM F 608 (embedded dirt in carpets) please use setting II, Carpet.

NOTE: Select Carpet for stuck-on dust and debris.

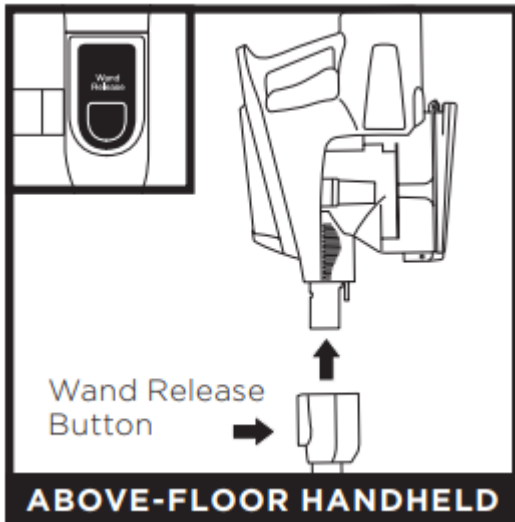
CLEANING MODES



- To clean floors, place foot on floor nozzle and tilt handheld vacuum back.



- Detach the wand for more reach to clean baseboards, ceiling fans, window sills, and other hard-to-access areas. Stand the vacuum upright, then step on the foot pedal on the left side of the floor nozzle and pull the wand up to disconnect it.

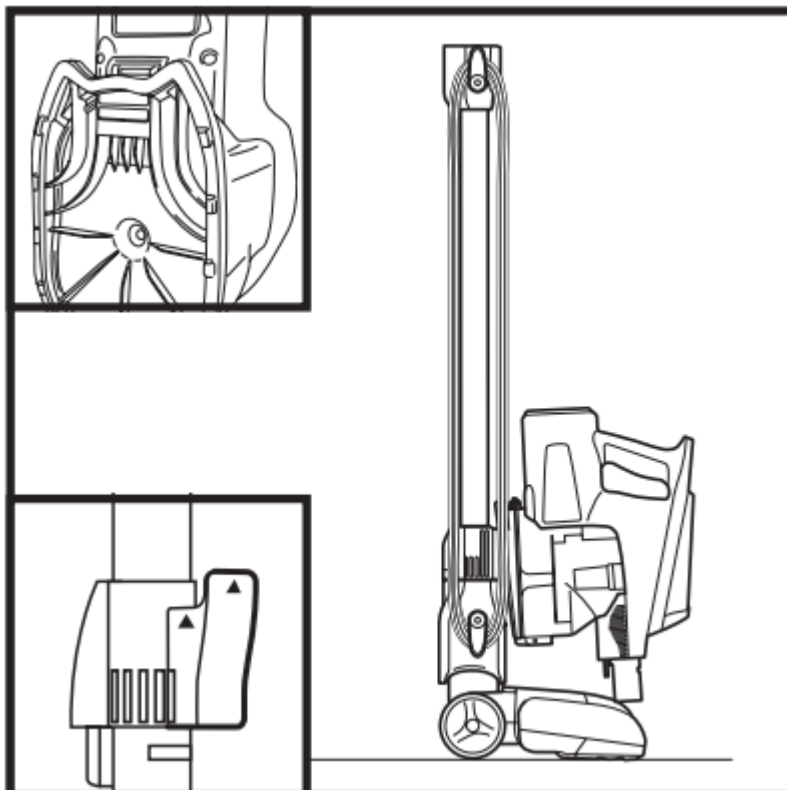


- Press the Wand Release button to lift the handheld vacuum off the wand. Great for cleaning stairs and furniture

NOTE: All accessories are compatible with both the wand and the handheld vacuum.

STORAGE

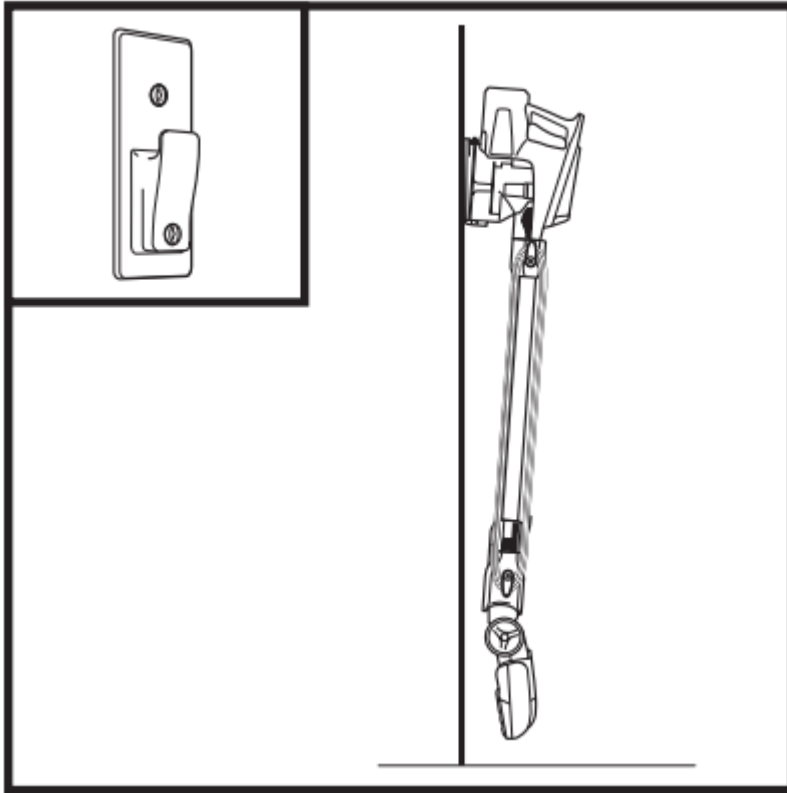
ONBOARD HOOK



- Press the wand release button on the top of the wand to detach the handheld vacuum. Align the catch on the bottom of the handheld vacuum with the storage hook on the

wand. Slide the handheld vacuum down so the catch hangs from the storage hook. Wrap the cord around the two cord hooks, starting with the top hook, leaving a little bit of slack while wrapping.

WALL MOUNT

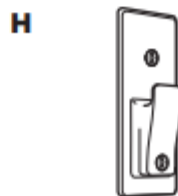
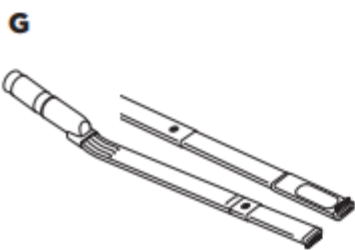
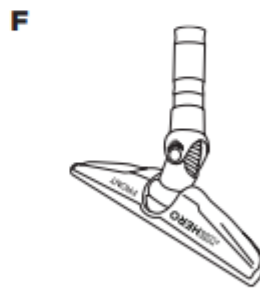
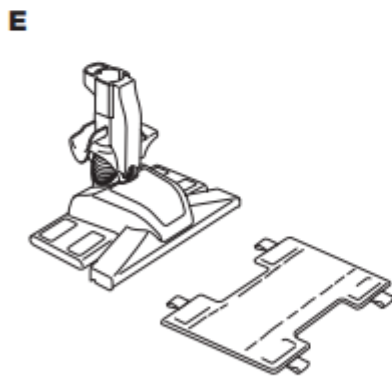
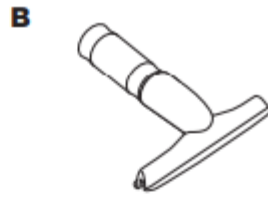
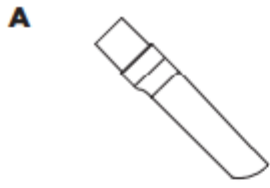


- For convenient storage above the floor, a wall mount is available for purchase on sharkaccessories.com. It comes with hardware and an instruction sheet with a mounting template.

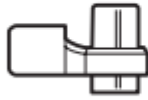
NOTE: Wrap the power cord around the top hook first, leaving a little slack while wrapping.

AVAILABLE ACCESSORIES

NOTE: Not all accessories come with all units. For a list of the accessories included with this model, see the top inside flap of the box. To order additional accessories, visit sharkaccessories.com.



I



J



A. Crevice Tool: Clean in tight spaces or reach baseboards and ceilings with this slim crevice tool. Various lengths available depending on the vacuum model.

B. Wide Upholstery Tool: The wide cleaning path helps remove pet hair, dust, and large debris from mattresses, couches, curtains, lampshades, and other delicate upholstered surfaces.

C. Dusting Brush: This brush dusts and cleans delicate surfaces. Great for use on fans, blinds, lampshades, and keyboards.

D. Home & Car Detail Kit: Deep-clean your car like a professional detailer, or clean hard-to-reach areas in your home. Microsized tools let you clean around delicate objects and access the smallest spaces like car vents and computer keyboards.

E. Dust-Away® Hard Floor Attachment with Microfiber Pad: Designed to provide outstanding hard floor cleaning, this powerful tool is small enough to get into hard-to-reach areas while removing surface particles, dirt, stuck-on dust, and debris.

F. Hard Floor Hero™: Designed to provide outstanding hard floor cleaning, this powerful tool is small enough to get into hard-to-reach areas while removing surface particles, dirt, stuck-on dust, and debris.

G. Under-Appliance Wand: Clean under and behind hard-to-move appliances and furniture with this adjustable 36" tool. Flip the extension piece over to clean the underside of appliances.

H. Wall Mount: Install the mount to hang your vacuum on the wall for convenient storage. Includes screws, anchors, and instruction sheet with mounting template for easy installation.

I. Onboard Storage Clip: Removable clip attaches to the vacuum wand. Can hold up to two accessories at a time while cleaning or for storage.

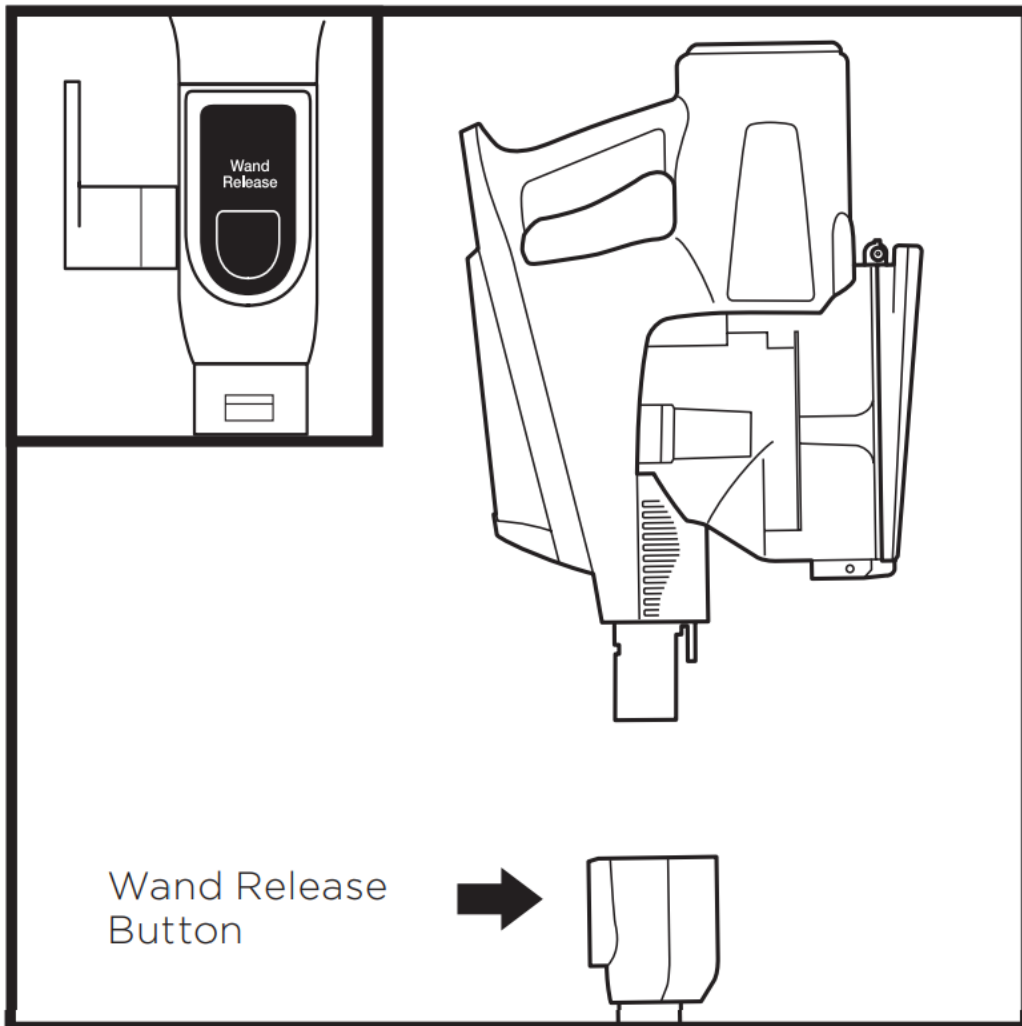
J. Anti-Allergen Dust Brush: This brush dusts and cleans delicate surfaces. Great for use on fans, blinds, lampshades, and keyboards.

MAINTENANCE

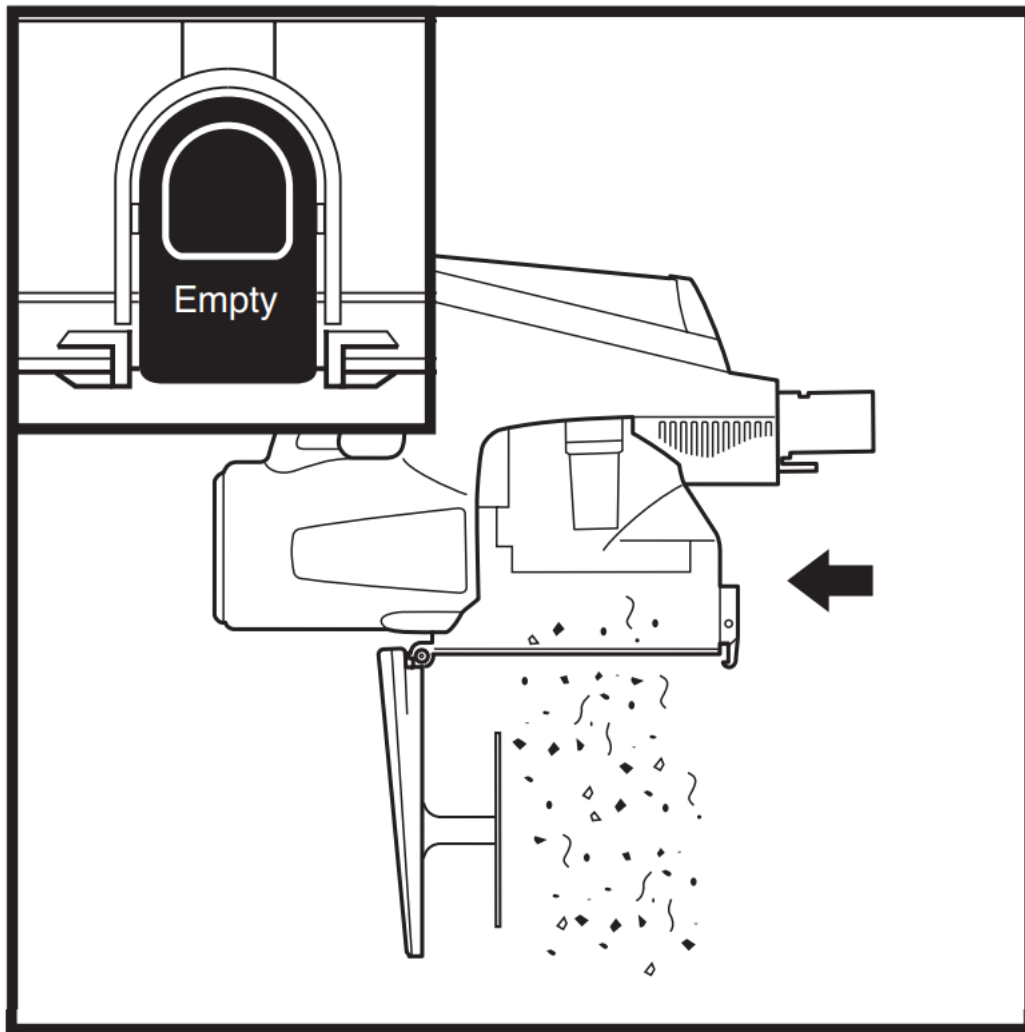
IMPORTANT: Unplug the vacuum before performing any maintenance.

EMPTYING THE DUST CUP

Empty the dust cup each time you vacuum and periodically during cleaning, when debris in the dust cup reaches the MAX fill line.



- Press the wand release button and lift the handheld vacuum off the wand.

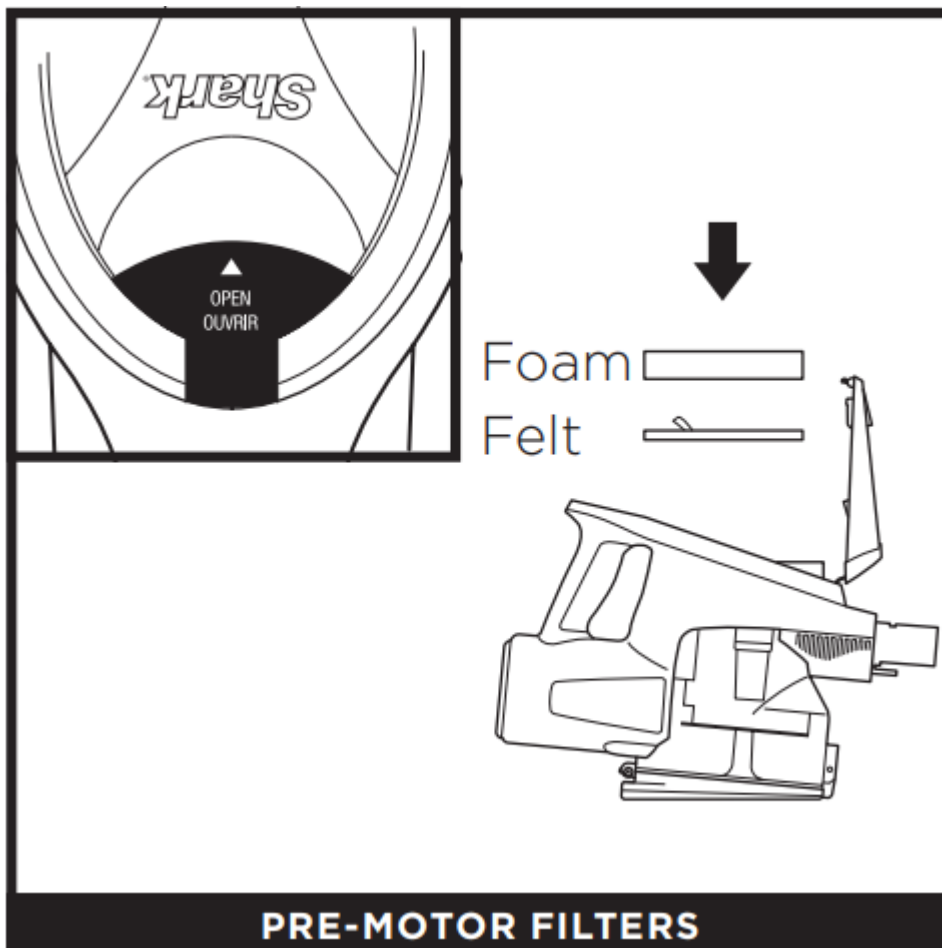


- Press the Empty button on the front of the dust cup.

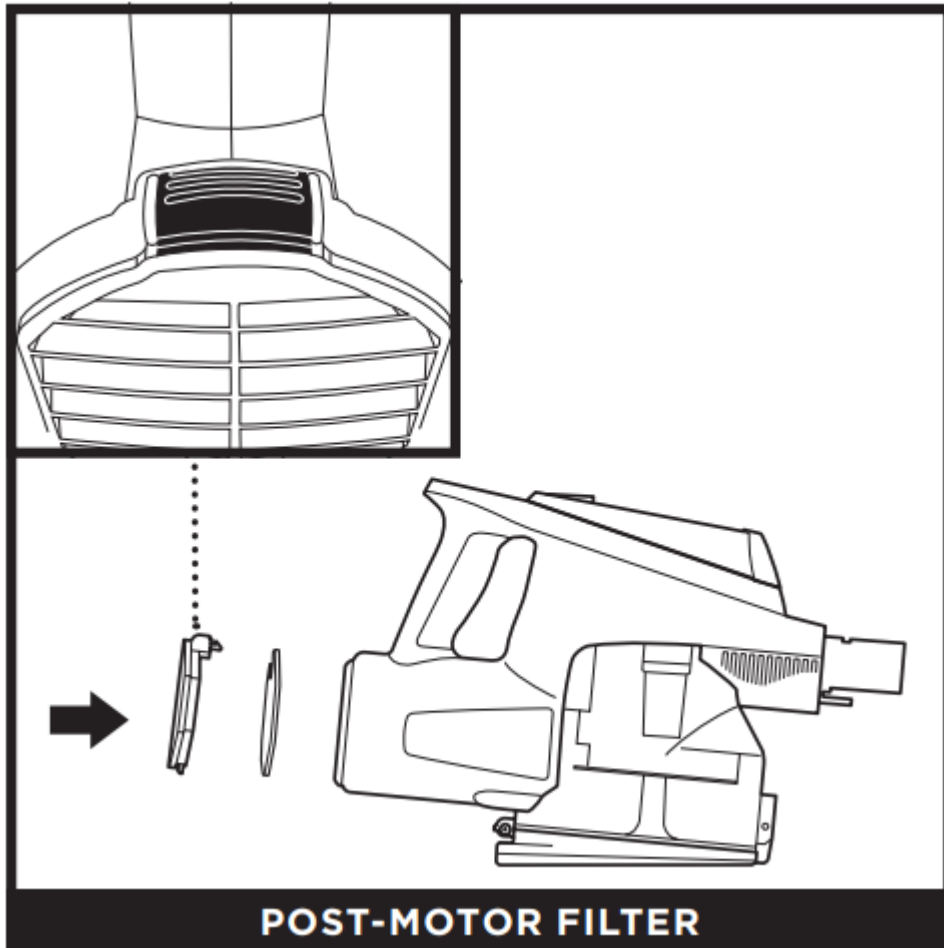
CLEANING FILTERS

Perform regular maintenance on your filters to keep your vacuum's suction power optimal.

IMPORTANT: To prevent damage, rinse filters with water **ONLY**. **DO NOT** use soap. Allow filters to air-dry for at least 24 hours before reinstalling them to prevent liquid from being drawn into electric parts.

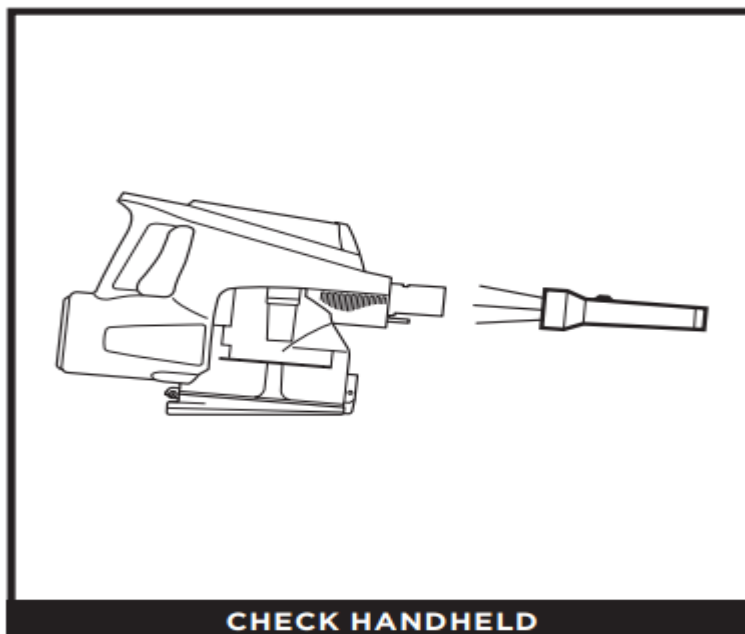


- The Pre-Motor Filters should be washed once a month.

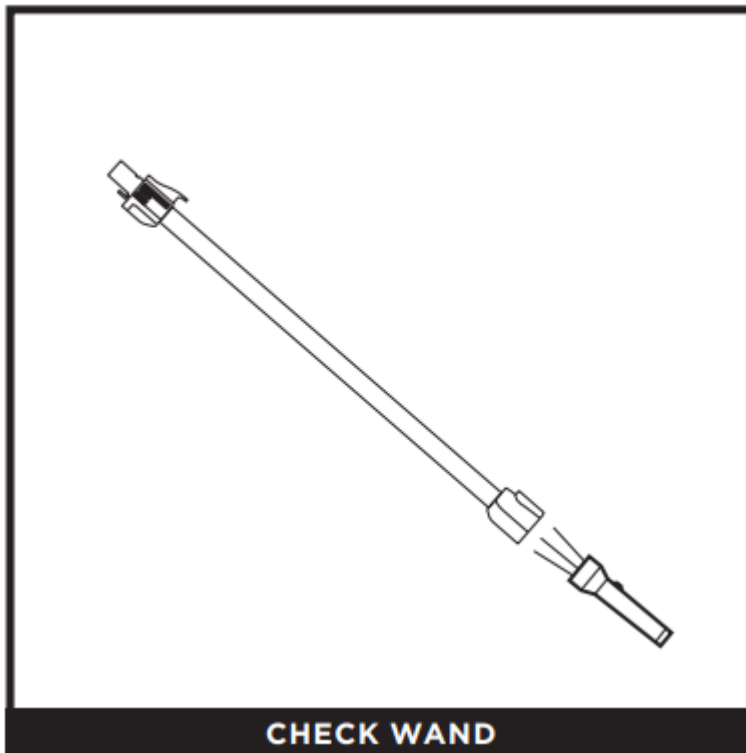


- The Post-Motor Filter should be washed once every 9 months.

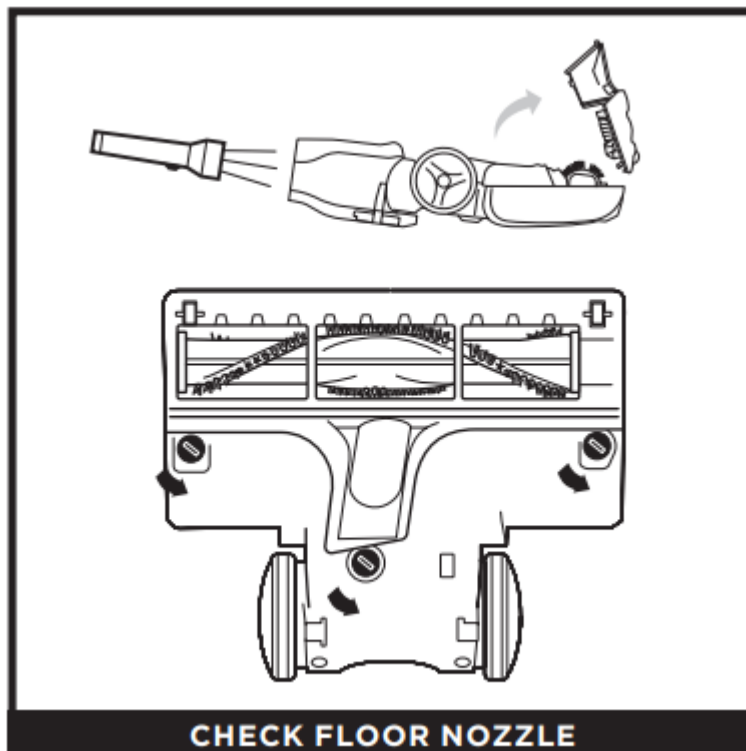
CHECKING FOR BLOCKAGES



- Remove the wand from the handheld vacuum and check all dust cup intake openings

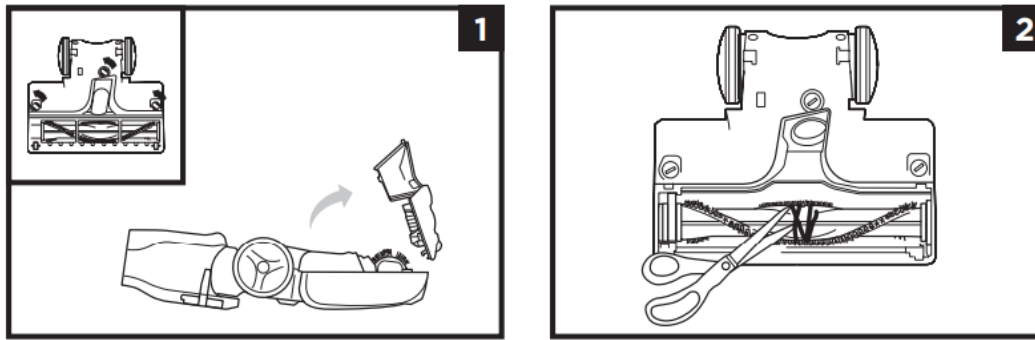


- Detach the wand and check it for blockages.



- Detach the wand, then use the edge of a coin to open the three locks on the bottom of the floor nozzle. Remove the cover, then tilt back the neck of the floor nozzle and check the opening for blockages. Replace cover, pressing down firmly on all sides before turning locks clockwise to close.

NOZZLE MAINTENANCE



CLEANING THE BRUSHROLLS

1. Use the edge of a coin to open the three locks on the bottom of the floor nozzle.
2. Run scissors along the groove in the brushroll to cut or clear away any string, carpet fibers, hair, or other debris.
3. To reinstall the cover, line it up, then rotate down until it clicks into place. Use the edge of a coin to close the three locks on the bottom of the nozzle.

TROUBLESHOOTING

1. Vacuum is not picking up debris. No suction or low suction. (Refer to Maintenance section for more information.)
 - Check filters to see if they need cleaning. Follow instructions for rinsing and completely air-drying the filters before reinstalling them.
 - Dust cup may be full; empty dust cup.
 - Check floor nozzle for blockages; clear blockages if required.
 - Remove any string, carpet fibers, or hair that may be wrapped around the brushroll.
 - Ensure the base is locked in place by lining it up along the front of the nozzle and rotate down to snap into place until you hear a click. Lock the three locks.
2. Vacuum lifts area rugs.
 - Suction is powerful. Take care when vacuuming area rugs or rugs with delicately sewn edges.
 - Turn off the unit to disengage the brushroll. To restart, slide the power switch to setting I, Bare Floor/ Small Area Rugs.
3. Brushroll does not spin.
 - If Brushroll Indicator Light on the floor nozzle turns red, the brushroll has stopped spinning. Immediately turn off and unplug vacuum and remove blockage. Plug back into electrical outlet and turn vacuum on.

- If Brushroll Indicator Light on the floor nozzle is green, the blockage has been successfully cleared. If the light is still red, please contact Customer Service at 1-800-798-7398

4. Vacuum turns off on its own or the indicator light flashes red.

If your vacuum overheats, the thermostat will automatically turn off the motor. Perform the following steps to restart:

1. Turn vacuum off and unplug it.
2. Empty dust cup and clean filters (see Maintenance section).
3. Check for blockages in the nozzle, wand, handheld vacuum inlet openings, and accessories.
4. Allow unit to cool for a minimum of 60 minutes.
5. Plug in vacuum and turn it on.

IMPORTANT SAFETY INSTRUCTIONS

To reduce the risk of electric shock, this vacuum cleaner has a polarized plug (one blade is wider than the other). As a safety feature, this plug will fit into a polarized outlet only one way. If the plug does not fit fully into the outlet, reverse the plug. If it still does not fit, contact a qualified electrician. DO NOT force into outlet or try to modify to fit.

WARNING TO REDUCE THE RISK OF FIRE, ELECTRIC SHOCK OR INJURY

GENERAL WARNINGS

When using an electrical appliance, basic precautions should always be followed, including the following:

1. Your vacuum cleaner may consist of a motorized nozzle, wand, hose, and/or vacuum pod. This device contains electrical connections, electrical wiring, and moving parts that potentially present risk to the user.
2. Use only identical replacement parts.
3. Carefully observe and follow the instructions provided below to avoid improper use of the appliance. DO NOT use the vacuum for any purpose other than those described in this manual.
4. Before use, carefully inspect all parts for any damage. DO NOT use if any parts are damaged.
5. The use of an extension cord is NOT recommended.
6. This vacuum cleaner contains no serviceable parts.

USE WARNINGS

7. This appliance can be used by persons with reduced physical, sensory or mental capabilities or lack of experience and knowledge if they have been given supervision or instruction concerning use of the appliance in a safe way and understand the hazards involved. Cleaning and user maintenance shall not be made by children. Keep the appliance and its cord out of reach of children. DO NOT allow the appliance to be used by children. DO NOT allow to be used as a toy. Close supervision is necessary when used near children.
8. Always turn off the vacuum cleaner before connecting or disconnecting any motorized nozzles or other accessories.
9. DO NOT handle plug or vacuum cleaner with wet hands.
10. DO NOT use without filters in place.
11. Only use Shark® branded filters and accessories.
12. DO NOT damage the power cord:
 - a. DO NOT pull or carry vacuum cleaner by the cord or use the cord as a handle.
 - b. DO NOT unplug by pulling on cord. Grasp the plug, not the cord.
 - c. DO NOT run the vacuum cleaner over the power cord, close a door on the cord, pull the cord around sharp corners, or leave the cord near heated surfaces.
13. DO NOT put any objects into nozzle or accessory openings. DO NOT use with any opening blocked; keep free of dust, lint, hair, and anything that may reduce airflow.
14. DO NOT use if nozzle or accessory airflow is restricted. If the air paths or the motorized floor nozzle become blocked, turn the vacuum cleaner off and unplug from electrical outlet. Remove all obstructions before you plug in and turn on the unit again.
15. Keep nozzle and all vacuum openings away from hair, face, fingers, uncovered feet, or loose clothing.
16. DO NOT use if vacuum cleaner is not working as it should, or has been dropped, damaged, left outdoors, or dropped into water.
17. Use extra care when cleaning on stairs.
18. DO NOT leave the vacuum cleaner unattended while plugged in.
19. When powered on, keep the vacuum cleaner moving over the carpet surface at all times to avoid damaging the carpet fibers.
20. DO NOT place vacuum cleaner on unstable surfaces such as chairs or tables.
21. Your Shark® vacuum may not be designed to stand up on its own. When taking a break from cleaning, you may need to lean it against furniture or a wall, or lay it flat on the floor. Using the vacuum for an application where the unit lacks stability may result in personal injury.

22. DO NOT use to pick up:

- a. Liquids
- b. Large objects
- c. Hard or sharp objects (glass, nails, screws, or coins)
- d. Large quantities of dust (drywall dust, fireplace ash, or embers). DO NOT use as an attachment to power tools for dust collection.
- e. Smoking or burning objects (hot coals, cigarette butts, or matches)
- f. Flammable or combustible materials (lighter fluid, gasoline, or kerosene)
- g. Toxic materials (chlorine bleach, ammonia, or drain cleaner)

23. DO NOT use in the following areas:

- a. Poorly lit areas
- b. Wet or damp surfaces
- c. Outdoor areas
- d. Spaces that are enclosed and may contain explosive or toxic fumes or vapors (lighter fluid, gasoline, kerosene, paint, paint thinners, mothproofing substances, or flammable dust)

24. Turn off all controls before plugging in or unplugging the vacuum.

25. Unplug from electrical outlet when not in use and before any maintenance or cleaning.

26. Hand wash with water only. Washing with cleaning chemicals could damage the unit.

27. During cleaning or routine maintenance, DO NOT cut anything other than hair, fibers, or string wrapped around the brushroll.

28. Allow all filters to air-dry completely before replacing in the vacuum to prevent liquid from being drawn into electric parts.

29. Make sure the dust cup and all filters are in place after routine maintenance.

30. If provided, secure the power cord around the two cord hooks during storage.

Warning

This content is compiled from multiple sources and is provided for reference purposes only. It may not be complete or fully applicable to all situations. If you are unable to resolve your issue, please contact the product manufacturer or an authorized service provider for official support.