

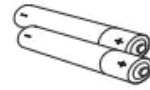
## What's in the box



TCL Roku TV



Power cable



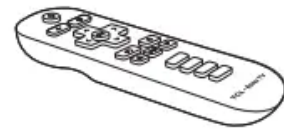
2 x AAA batteries for remote



M4x30mm  
4 x Stand screws



TV stands



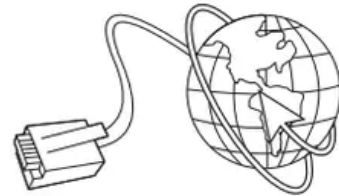
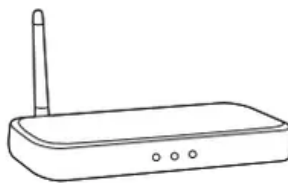
TV remote

## What you need



Phillips head  
screwdriver

### Make the most of your Smart TV



Router + Internet Connection  
(needed for streaming)

## Set Up Your TV

### Remove your TV from the box

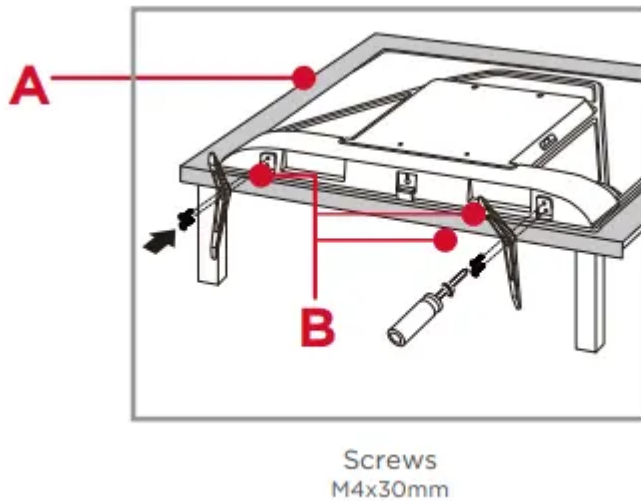
Be careful, it's heavy!

### To use the stand

A: To prevent damage to the screen, carefully place your TV on a soft, cushioned surface.

B: Put the column of the stands into the TV, align the stands with the screw holes located on the TV. Secure the stands to the TV with four (4) screws

**Note:** Make sure the installation direction of the stand is the same as illustrated.



### To mount on a wall

If you are mounting your TV to the wall, don't attach the stands.

To mount your TV to the wall, purchase a VESA wall mount

Purchase a VESA 300x300 (4 M6x12mm screws)

The VESA number is the horizontal and vertical measurement of the mounting holes. For example, 300X300 refers to the fact that the mounting measurements are 300mm horizontally and 300mm vertically. Follow the instructions that come with the wall mount. Your wall mount must be able to bear a minimum of five times the TV's net weight to avoid causing damage.

### Warning:

Never place a television set in an unstable location. A television set may fall, causing serious personal injury or death. Many injuries, particularly to children, can be avoided by taking simple precautions such as:

- Using cabinets or stands recommended by the manufacturer of the television set.
- Only using furniture that can safely support the television set.
- Ensuring the television set is not overhanging the edge of the supporting furniture.
- Not placing the television set on tall furniture (for example, cupboards or bookcases) without anchoring both the furniture and the television set to a suitable support. -

Not placing the television set on cloth or other materials that may be located between the television set and supporting furniture.

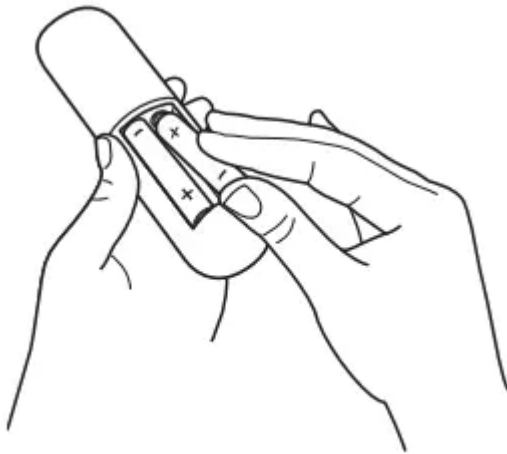
- Educating children about the dangers of climbing on furniture to reach the television set or its controls. If your existing television set is being retained and relocated, the same considerations as above should be applied.

## Power Up

Power your TV remote by inserting the included batteries.

Connect your power cable to the TV, then plug it in to the wall outlet.

Connect other devices by referencing port label.

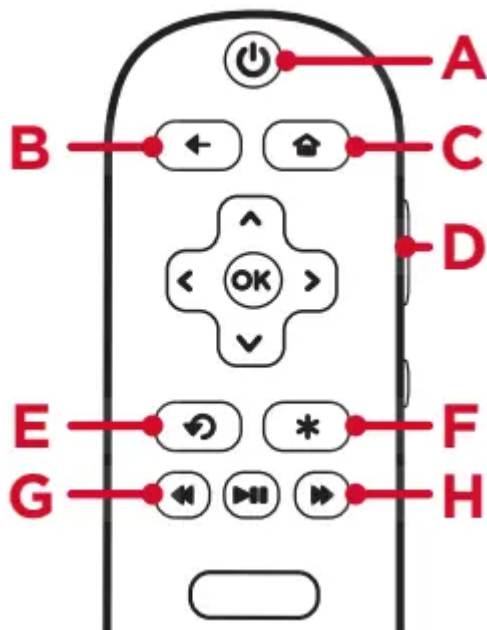


Insert batteries in the correct polarity as indicated in the battery compartment.

**Power Tip!** Always replace depleted batteries with two same brand-new batteries from the same manufacturer. Never use damaged batteries.

If your remote gets warm/hot during use, discontinue use and contact customer support immediately at [support.tclusa.com](http://support.tclusa.com)

## Grab your remote



Here're some buttons you should know about.

**A: POWER** Turn TV on and off

**B: BACK** Return to previous screen

**C: HOME** Return to Roku Home screen

**D: VOLUME** Raise and lower volume

**E: INSTANT REPLAY** Replay the last few seconds of streaming video

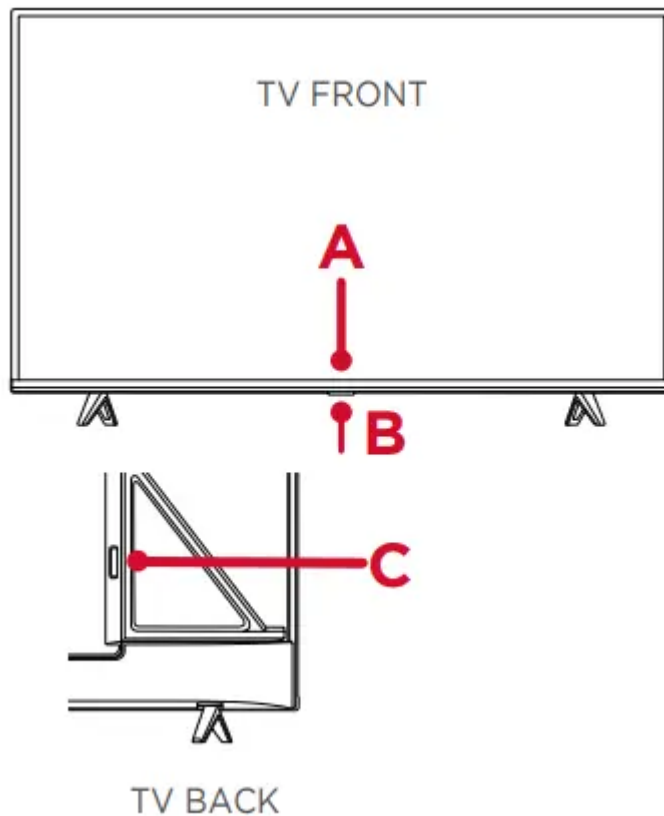
**F: OPTIONS** View more option

**G: RWD SCAN** Rewind streaming video, scroll left one page at a time

**H: FWD SCAN** Fast forward streaming video, scroll right one page at a time

**Tip!** The button gives you easy access to picture settings, display options, and more. Try it on every screen!

## Get to know your TV



**A: STATUS LIGHT** Glows when the TV is in standby.

**IR RECEIVER** Receives signal from the TV remote.

**B: POWER and OPTIONS BUTTON** Press once to open the menu. Press and hold to turn on the TV.

**C: POWER PORT** Connect your TV to the power source with the included power cable

**D: RESET BUTTON** Press once to restart your TV. Press and hold for factory reset, and careful, you will lose all your settings!

**E: USB PORT** Connect a USB device to access photos, music and movies

**F: ETHERNET** Connect an Ethernet cable to your home Internet router or switch.

**G: HDMI\*PORT** Highest quality audio/video connection. Connect cable box, Blu-ray player, gaming console, or other devices to your TV using HDMI cables.

**H: HDMI ARC PORT** Connect HDMI ARC (audio return channel) capable audio devices like sound bars or AV receivers

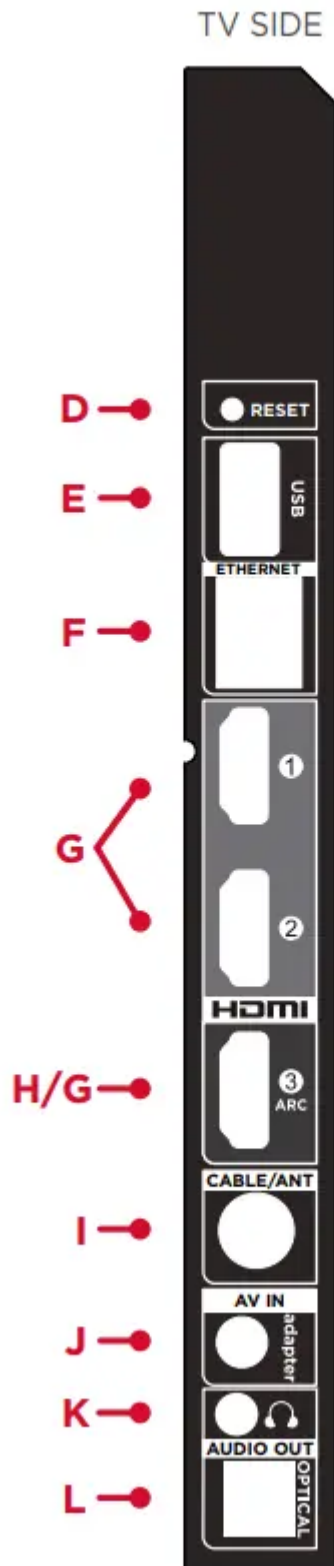
**I: ANTENNA/CABLE IN** Connect an outdoor VHF/ UHF antenna or Cable TV feed.

**J: AV IN adapter AV Input (analog audio/video).** The AV Input can be used to connect older devices that use analog audio/video outputs. Compatible adapter (not included)

connects to the RCA cable (video - yellow and audio - white and red) that you normally use to connect to that device.

**K: HEADPHONE OUT** Connect headphones or other external speakers.

**L: OPTICAL (DIGITAL AUDIO OUT)** Connect an optical cable to an external digital audio system.



## Complete guided setup and activation

It's the final stretch—hurray!

Let's Connect Your TV will automatically detect wireless networks in your area. Have your network name and password handy and follow the easy on-screen instructions



**Your Roku account:** Activate your TCL Roku TV using your computer, smartphone, or tablet to link to a Roku account. You need a Roku account to activate your TV and access entertainment across thousands of streaming channels.

**IMPORTANT:** Roku doesn't charge for activation support - beware of scams. 8 Roku accounts are free and while a valid credit card number is not required to create a Roku account, saving your credit card information makes renting, purchasing, and subscribing to entertainment from the Roku Channel Store fast and convenient. Once connected to your account, your TV will automatically update with the latest software, and you can start streaming immediately. If you aren't ready to connect your TV to a wireless network, you can still use it as a regular TV.

And setup is done...congratulations!

Continue using the remote to personalize your Home screen and channel line-up, stream movies, and so much more. If you have an antenna or cable connected, just click the tuner tile to watch broadcast TV channels. The fun has just begun!

### WE ARE READY TO HELP

contact us first with any questions



TCL SUPPORT:  
support.tclusa.com  
1-877-300-8837

## Connecting brings out your TV's full potential!

**Make any night a movie night** Access more than 500,000 movies and TV episodes across major streaming services like Netflix, Hulu, GooglePlay, VUDU, and more. Choose from free, rental, and subscription services.

**Stream sports on the big screen** Choose from over 140 sports channels like WatchESPN, FOX Sports GO, NBA, NFL, MLB.TV, WWE Network, CBS Sports, and more.

**Explore your passions** In addition to popular streaming channels like HBO NOW, Showtime, PBS Kids and ESPN, your TCL Roku TV also offers hundreds of streaming channels to fuel your passions - including fitness, cooking, religion, outdoors, international programming, and much more.

## Broadcasting & Operating Environment

Broadcasting system	US System NTSC-M ATSC standard (8VSB), QAM
Receiving Channels	VHF2-13 UHF14-69 CATV 14-36 (A)-(W) 37-59 (AA)-(WW) 60-85 (AAA)-(ZZZ) 86-94 (86)-(94)95-99 (A-5)-(A-1) 100-135 (100)-(135) 01 (4A)
Tuner type	Frequency synthesized
Operating Temperature	5°C to 35°C (41°F to 95°F)
Operating Humidity	20% to 80%, non-condensing
Storage Temperature	-15°C to 45°C (5°F to 113°F)
Storage Humidity	10% to 90%, non-condensing

## Troubleshooting

### 4K Picture Quality

- 4K picture quality is largely dependent on the source. Make sure your source content is 4K.
- To stream 4K, we recommend a broadband speed of 25Mbps for optimum viewing.
- For Cable, Satellite, Gaming Consoles, and Blu-Ray players, we recommend using “High-Speed HDMI cables.”

### Cannot connect to wireless network (Wi-Fi)

- Select the correct wireless network name and verify the password entered (case sensitive).

- Relocate the router from objects that interfere with performance (cordless phones, baby monitors, etc.).
- Reboot the router by disconnecting the power for more than 2 minutes and reconnect.

### **My picture is too small (black bars on the side)**

- Play your movie/video and press the (\*) asterisk button.
- Select Picture Size, select the picture size of your preference.

### **Problems connecting my cable/satellite box or antenna through a coax cable**

- Make sure the cable connections to the TV and your device are securely fastened.
- Select cable/satellite box or antenna TV input.
- Select “start finding channels” and follow the on-screen instructions to perform a full channel scan.
- For best performance, use the HDMI connection. If not available, then:

### **How to install the Remote Control Mobile App**

- Download the Roku app to your phone or tablet through Google Play or iTunes.
- Simply search for “Roku App” and choose the Roku app by Roku Inc.
- Follow the onscreen prompts and you’re on your way! The free Roku app allows you to use your mobile device as a full functioning remote control with voice search & keypad.

### **How do I turn the Text-to-Speech (TTS) audio guide on or off?**

- Press “\*” key on the remote controller four times to turn the audio guide on or off

### **What is the remote code for programming my Universal or Cable/Satellite box remote control**

Providers	Codes for TCL Roku TVs
ATT U-verse	1346
Charter <sup>2</sup> / Spectrum	11756
Comcast <sup>3</sup>	11756
DIRECTV	11756
DISH	1756, 535
Time Warner / Spectrum	387, 1566, 268

**Warning**

This content is compiled from multiple sources and is provided for reference purposes only. It may not be complete or fully applicable to all situations. If you are unable to resolve your issue, please contact the product manufacturer or an authorized service provider for official support.

