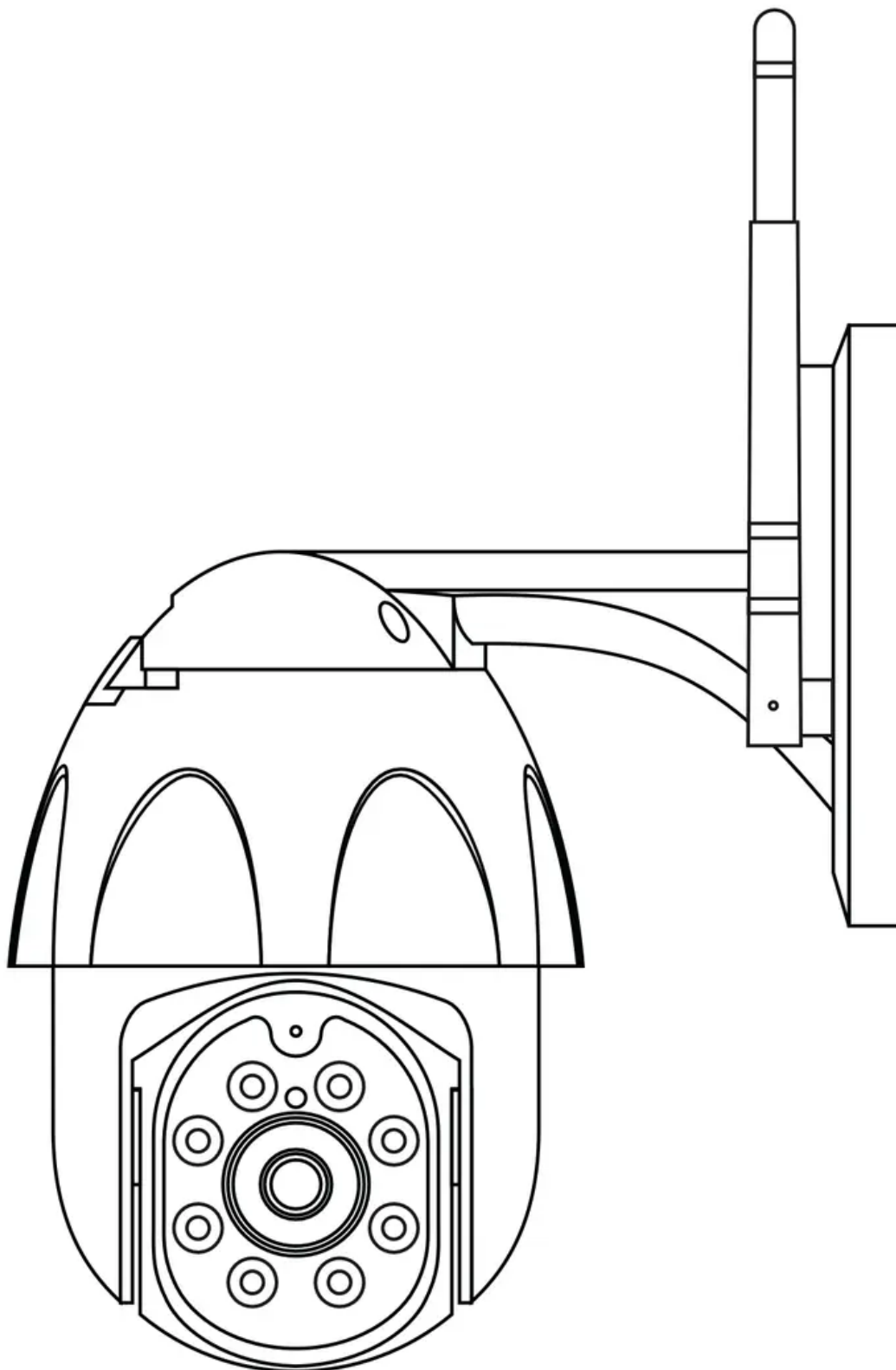
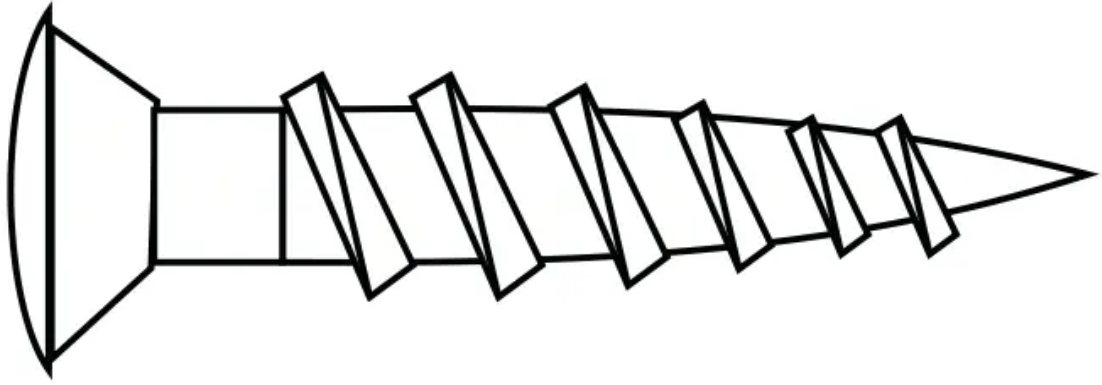


Package Contents

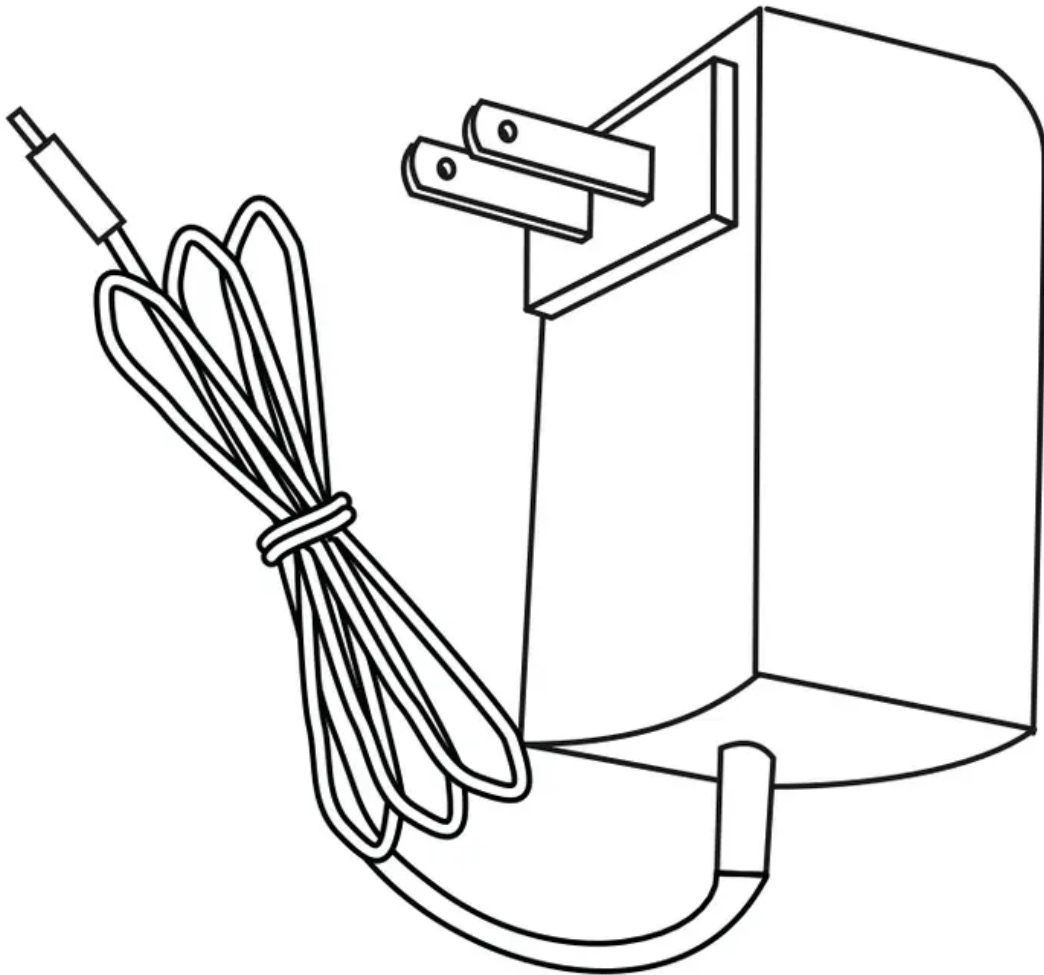


TourAlle Cam x 1

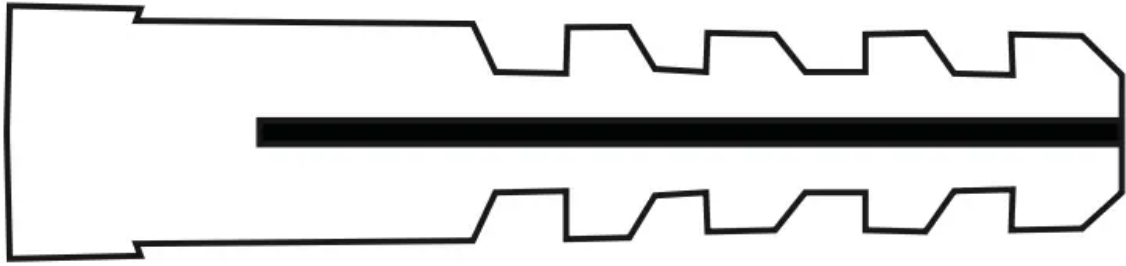




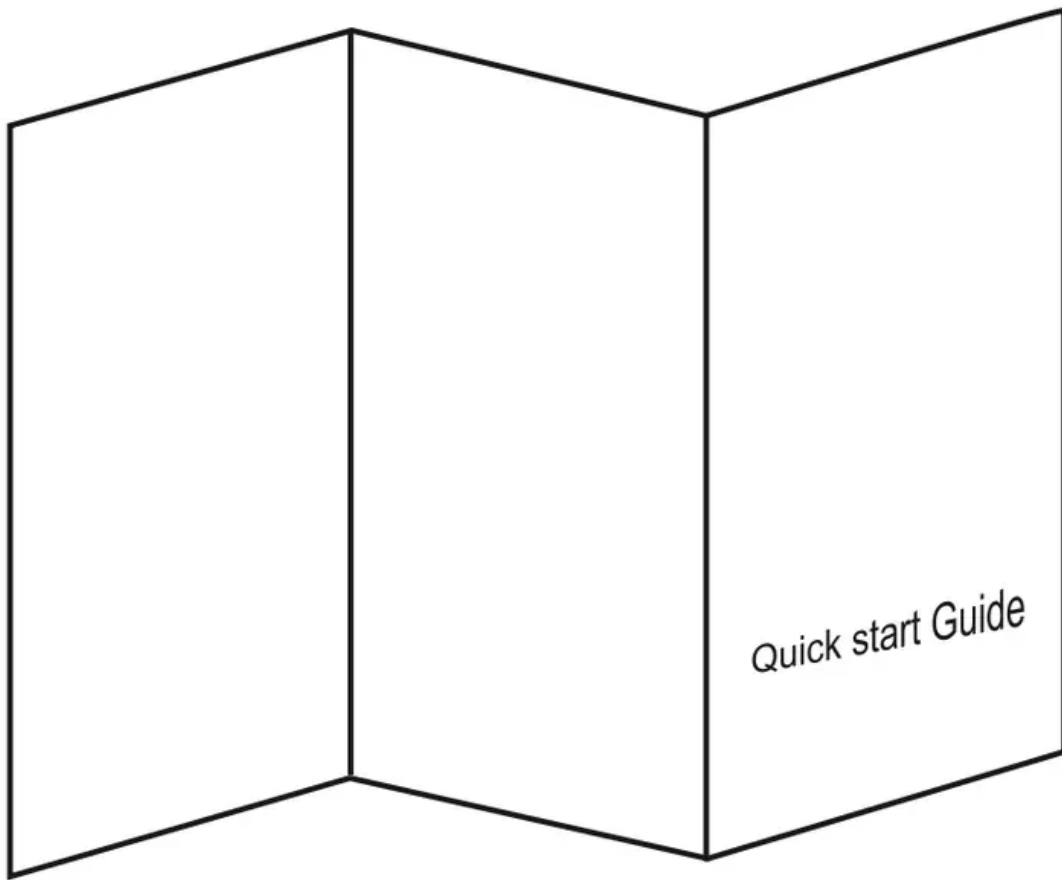
Mounting Screw x 4



Power Adapter x 1



Ribbed Plastic Anchors x 4

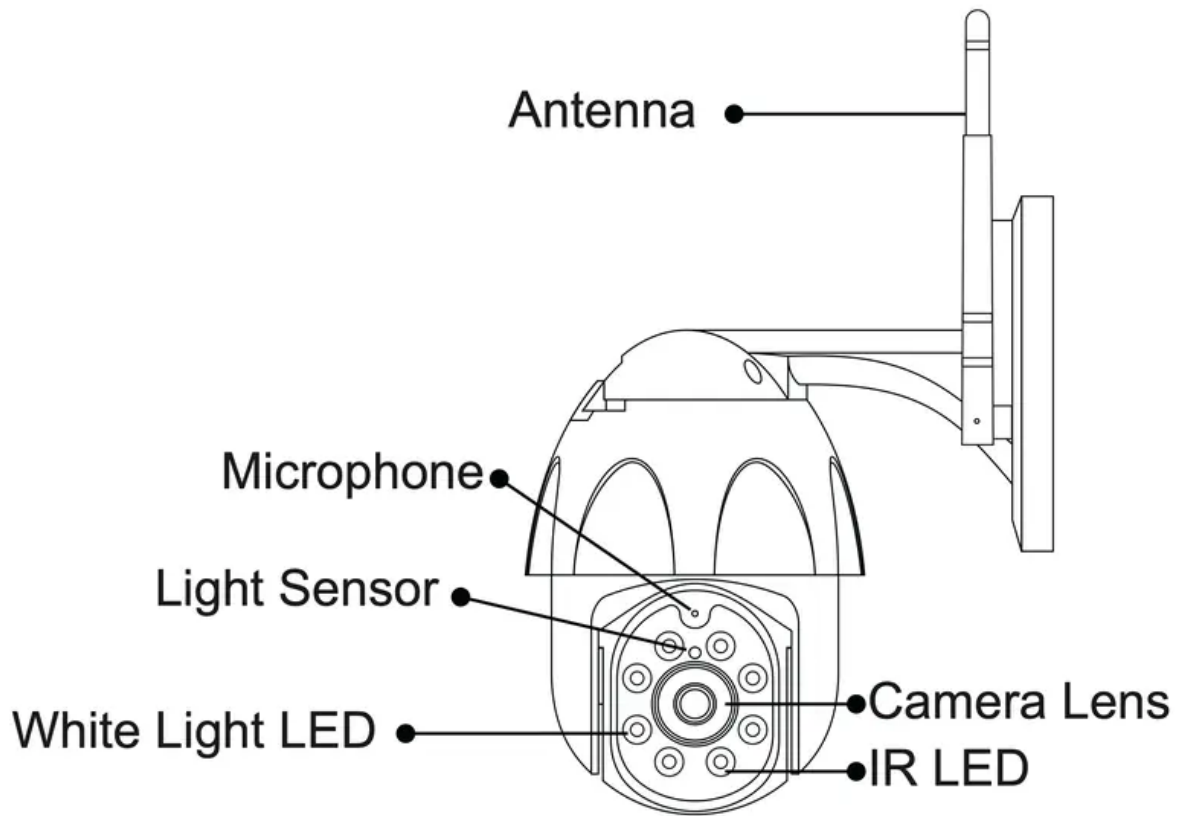


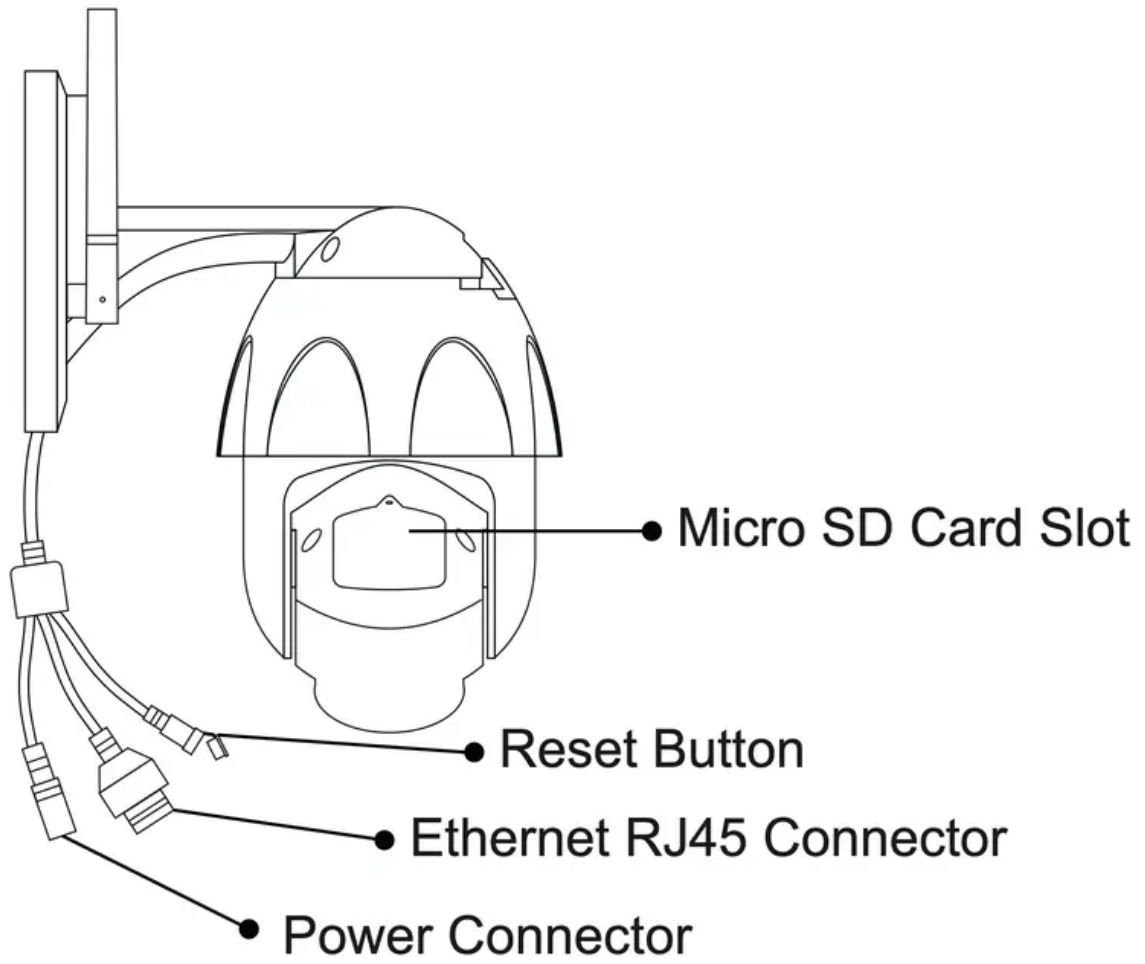
Quick start Guide x 1

Basic Parameters

Maximum resolution	1920 x 1080
Lens	110° Wide-Angle
Video Compression	H.264 High Profile
Night Vision Distance	10m
Frame Rate	25fps
Wireless Frequency	2.4Ghz only
Wireless Security	WPA/ WPA2/ WPA-PSK/ WPA2-PSK
Length of Power Cable	2m
Support Platform	Android 4.0+ or iOS 8.0+
APP Alarm Push	Support
Snapshot/Recording	Support
Firmware Upgrade	Support
Two-way Audio	Support

TourAlle Camera Overview





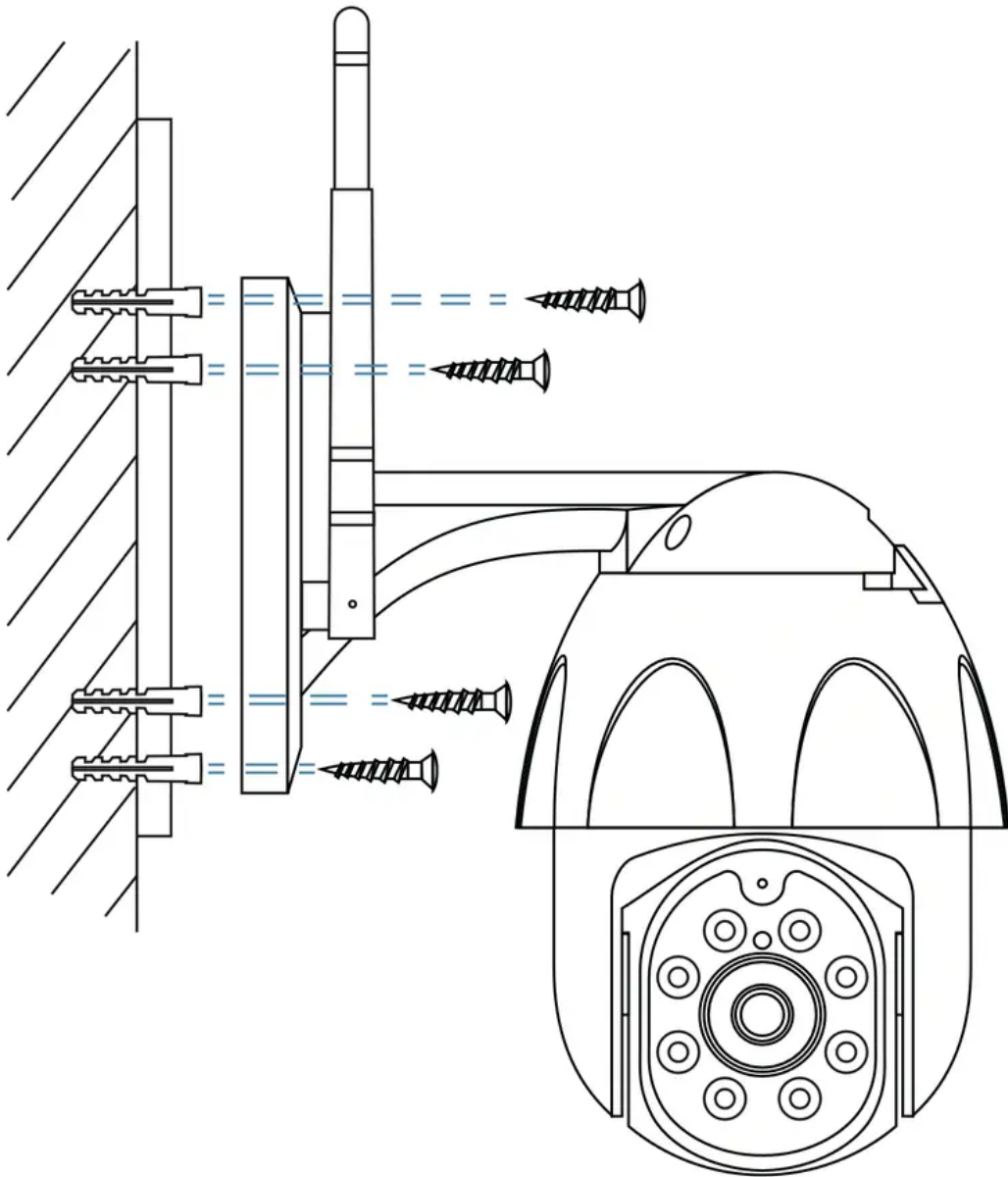
Quick Start Guide

The camera only supports 2.4G Wi-Fi with 802/b/g/n protocol, and does not support 5G Wi-Fi. Before configuring the camera Wi-Fi, please set the router parameters.

Mounting Device

1. Use the base's screw holes as a template to mark the drill spots. Remove base and drill holes on the marked spots.
2. Install the 4 ribbed plastic anchors into wall. Put the device on the suitable location and use the screws to fix it.(If you are mounting the device to a wooden wall, you can screw

the mount directly to the wall without anchors.)



3. Pay attention to the following situations when mounting:
 - a. Avoid direct sunlight
 - b. Mind any plants or objects that may obstruct the view
 - c. We suggest you mount within a 10 meter range of your router

Instruction

- Please read the instructions in the Quick Start Guide carefully before using the camera to avoid danger or loss.
- This manual is for use as a guide only. Graphics, pictures provided in the manual are for explanation and illustration purposes only, please refer to the actual product for specific standards. When installing the product, please make sure the product is firmly fixed.

- If the product lacks accessories or does not work properly, please contact the corresponding distributor for replacement in time and do not disassemble the product in any way. (The company assumes no responsibility for any problems caused by the modification or repair.)

Disclaimer

- The descriptions in this manual are for the current products only, there may be deviations in the process of updating product. And the company does not provide any forms of warranty; the special and indirect damages caused by the use of this manual or our products will not be compensated.

Attention

In the installation and use of the product, please strictly abide by the electrical requirements of your country and area.

Device Supported

Camera App supports Android 4.0+ or iOS 8.0+ system.

Ways to Download App

Method 1: Scan the QR code below to quickly download and install “TuyaSmart ”.



Scan QR code to download

Method 2: Search for and download " TuyaSmart " in the App Store or Google Play Store.

Register Account and Login App

When using TuyaSmart for the first time, please register and login in the following steps.

1. Click "Register"





Register

Log in with Existing Account



2. Choose your area and enter phone number or email





Register

United States of America



Email

Get Verification Code

I Agree [User Agreement](#) and [Privacy Policy](#).

3. Enter the verification code received via phone or email



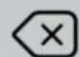


Enter Verification Code

A verification code has been sent to your email



Resend (52s)

1	2 ABC	3 DEF
4 GHI	5 JKL	6 MNO
7 PQRS	8 TUV	9 WXYZ
	0	



4. Enter password for new account

11:05



Set Password

Passwords must have 6 to 20 characters, including letters and digits

Done



11:05 ↗



Add Device

Tap + to add a smart device.

Got It

No devices

Add Device



Successfully registered

Ways to Connect Camera to App

Turn on the power of the camera, connect the camera to App after the camera finishes self-test.

There are 3 ways to connect camera to App: connect via QR Code, connect via Wi-Fi and connect via Ethernet cable.

Method 1: Connect via QR Code

After the camera is powered on ,open the App and use the camera lens to scan the QR code on App.



1. Click “+” or “Add Device”



11:05 ↗



No devices

[Add Device](#)

2. Choose "Smart Camera" in "Security&Sensor"



Add Manually

Auto Scan



Electrician



Flood Detector (Wi-Fi)

Lighting

Large Home Ap...

Video Surveillance

Small Home Ap...



Smart Camera

Kitchen Appliances

Surroundings

Security & Sensors



Plant monitor (Bluetooth)

Exercise & Health

Video Surveillan...

Smart Lock

Gateway Control



Lock (Wi-Fi)



Lock (Zigbee)



Lock (Bluetooth)

Others



3. Click "Next" after hearing the prompt tone.

Cancel

QR Code ⇌

Reset the device first.

Power the device on and make sure the indicator is flashing quickly or a prompt tone is heard



Perform net pairing as prompted. >

- ✓ Make sure the indicator is flashing quickly or a prompt tone is heard

4. Enter Wi-Fi password



Cancel

Enter Wi-Fi password.



fb



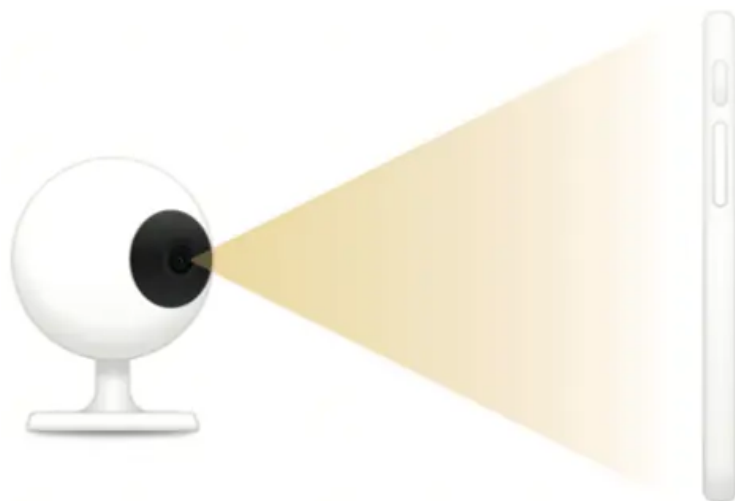
5. Click "Continue" to let the QR code display on your mobile phone.



Cancel

Use Camera to Scan QR...

Tap Next. The mobile phone displays a QR code. Use the camera to scan to the QR code 15 cm to 20 cm away from the mobile phone.



15~20cm

6. Put the QR code in front of camera to scan. Click "I Heard a Prompt" after hearing it.



Cancel



No Prompts



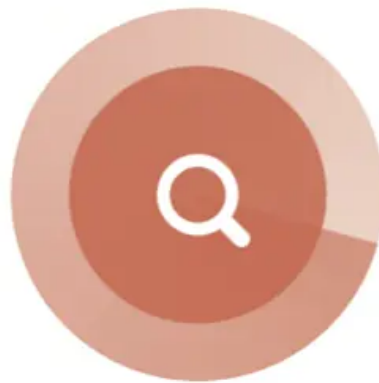
7. Please patiently wait for the process



Cancel

Adding device...

Ensure that the Wi-Fi signal is good.



4%



Scan devices.



Register on Cloud.



Initialize the device.



8. Device added successfully.



Cancel

Added.



Smart Camera ✎

Device added successfully



Method 2: Connect via Wi-Fi



After the camera is powered on ,open the App and add camera via Wi-Fi following the steps.



1. Click “+” or “Add Device”.



11:05 ↗



No devices

[Add Device](#)

2. Choose "Smart Camera" in "Security & Sensor".





Add Manually

Auto Scan



Electrician



Flood Detector
(Wi-Fi)

Lighting

Large Home Ap...

Video Surveillance

Small Home Ap...



Smart Camera

Kitchen Appliances

Surroundings

Security & Sensors



Plant monitor
(Bluetooth)

Exercise & Health

Video Surveillan...

Smart Lock

Gateway Control



Lock (Wi-Fi)



Lock
(Zigbee)



Lock
(Bluetooth)

Others



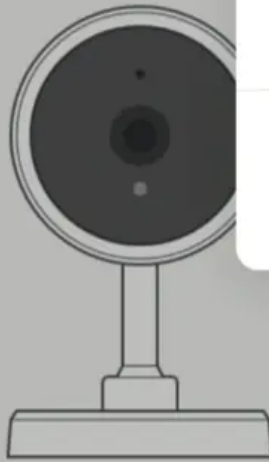
3. Click "QR Code" on the upper right corner to switch into "EZ Mode". Click "Next" after hearing the prompt tone.

Cancel

EZ Mode ⇄

Reset the device first.

Power the device on and make sure the indicator is flashing quickly or a prompt tone is heard.



- QR Code
- AP Mode
- EZ Mode
- Cable

Perform net pairing as prompted. >

- Make sure the indicator is flashing quickly or a prompt tone is heard



4. Enter Wi-Fi password.



Cancel

Enter Wi-Fi password.



fb



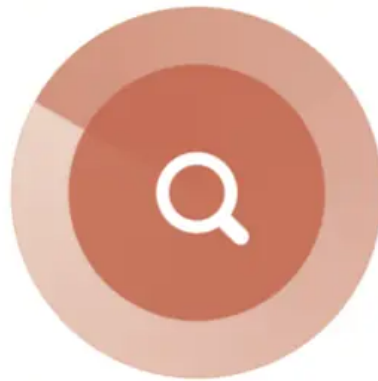
5. Please patiently wait for the process.



Cancel

Adding device...

Ensure that the Wi-Fi signal is good.



5%



Scan devices.



Register on Cloud.



Initialize the device.

6. Device added successfully.



Cancel

Added.



Smart Camera 

Device added successfully

Method 3: Connect via Ethernet cable



After the camera is powered on ,open the App and add camera via Ethernet cable following the steps.



1. Click “+” or “Add Device”.



11:05 ↗



No devices

[Add Device](#)

2. Choose "Smart Camera" in "Security & Sensor".





Add Manually

Auto Scan



Electrician



Flood Detector
(Wi-Fi)

Lighting

Large Home Ap...

Video Surveillance

Small Home Ap...



Smart Camera

Kitchen Appliances

Surroundings

Security & Sensors



Plant monitor
(Bluetooth)

Exercise & Health

Video Surveillan...

Smart Lock

Gateway Control



Lock (Wi-Fi)



Lock
(Zigbee)



Lock
(Bluetooth)

Others



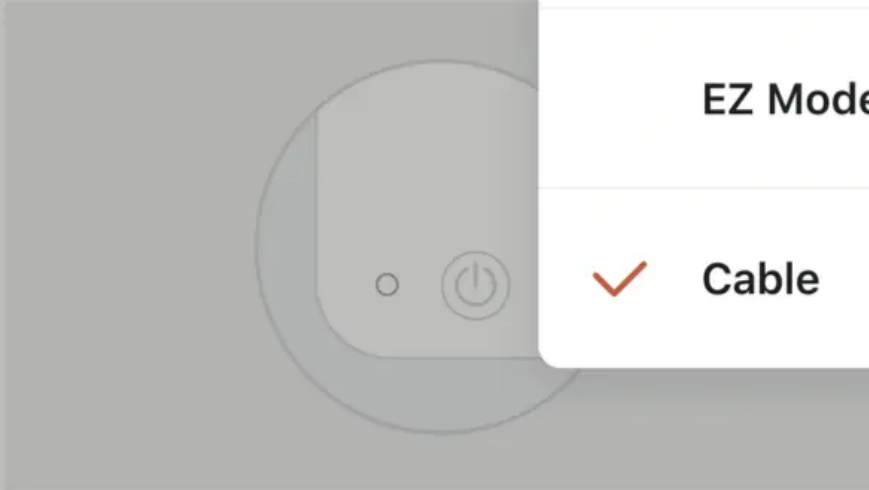
3. Click "QR Code" on the upper right corner to switch into " Cable". Click "Next" after hearing the prompt tone.

Cancel

Cable ⇌

Reset the device first.

Power the device on and make sure the indicator is flashing quickly or a prompt tone is heard.



Resetting Devices >

- QR Code
- AP Mode
- EZ Mode
- Cable

Make sure the indicator is flashing quickly or a prompt tone is heard



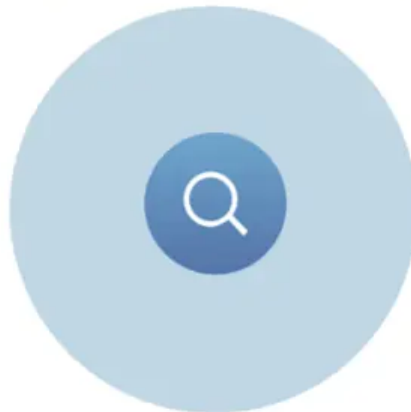
4. Please patiently wait for the process.



Cancel

Connect Device

The search process may take up to two minutes. Please do not perform any operations during this time.



5. Click “+” to add the selected device



Cancel

Select Device to Add



smart camera
Device(s) Found



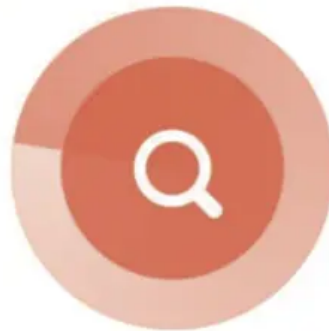
6. Place your router, mobile phone and device as close as possible.



Cancel

Connecting...

Place your router, mobile phone, and device as close as possible



4%

- Device found
- Register Device to Smart Cloud
- Initializing device...

7. Device added successfully.



Cancel

Added.



Smart Camera ✎

Device added successfully

Warning

This content is compiled from multiple sources and is provided for reference purposes only. It may not be complete or fully applicable to all situations. If you are unable to resolve your issue, please contact the product manufacturer or an authorized service provider for official support.

Document generated by [ManualsFile](#)