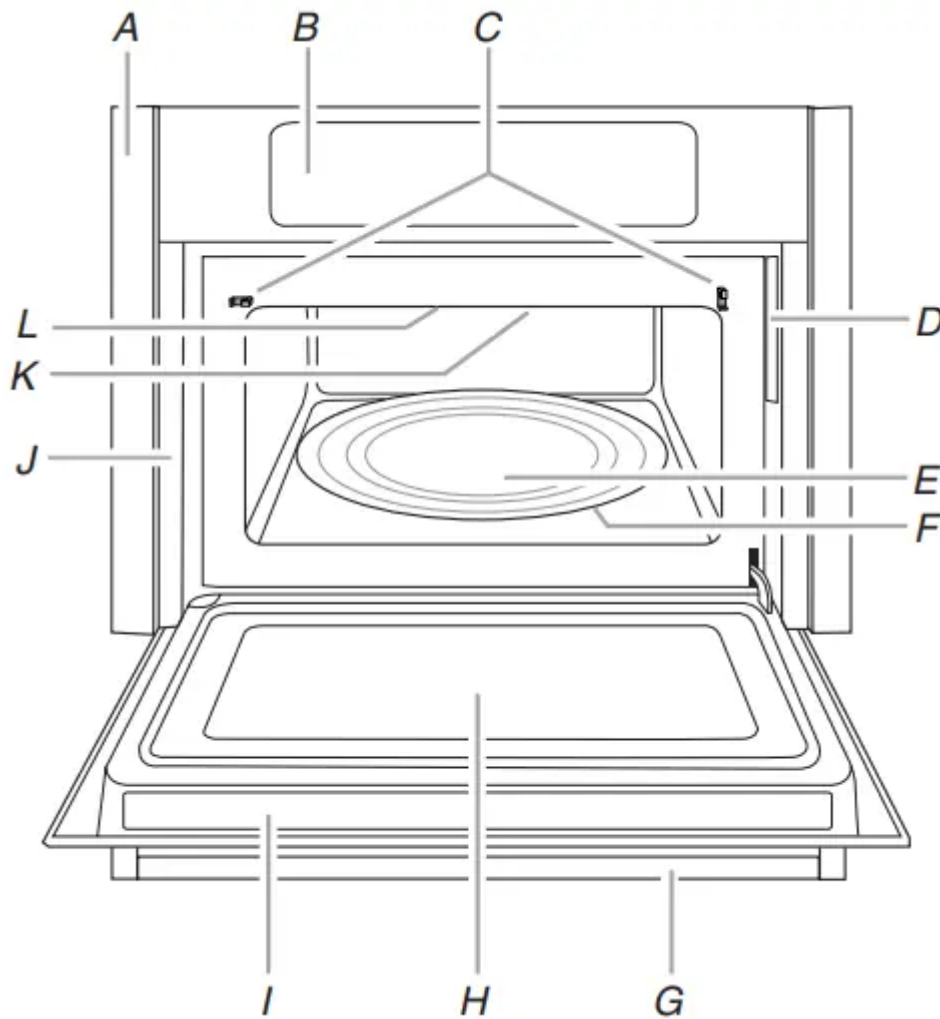


## PARTS AND FEATURES

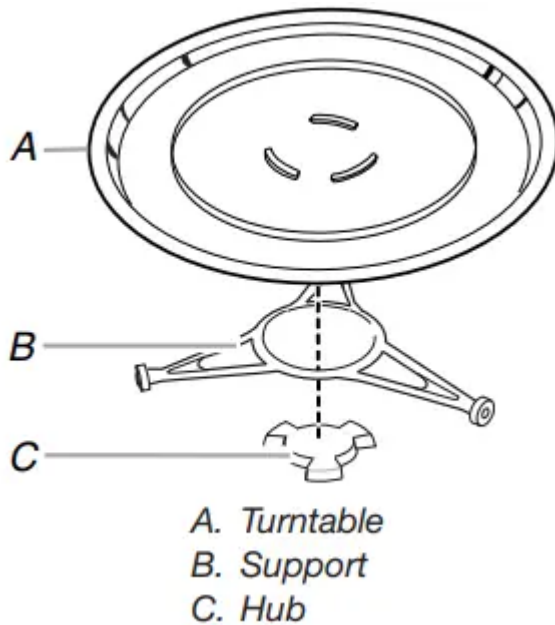
This manual may cover several different models. The model you have purchased may have some or all of the features shown here. The appearance of your particular model may differ slightly from the illustrations in this manual.



- A. Trim
- B. Control panel
- C. Door lock system
- D. Model and serial number plate
- E. Glass turntable
- F. Turntable support, rollers, and hub
- G. Door handle
- H. Window
- I. Trim
- J. Trim
- K. Trim
- L. Trim

- I. Cooking guide label
- J. Frame
- K. Microwave oven light (inaccessible – in ceiling)
- L. Microwave inlet cover

## **Turntable**

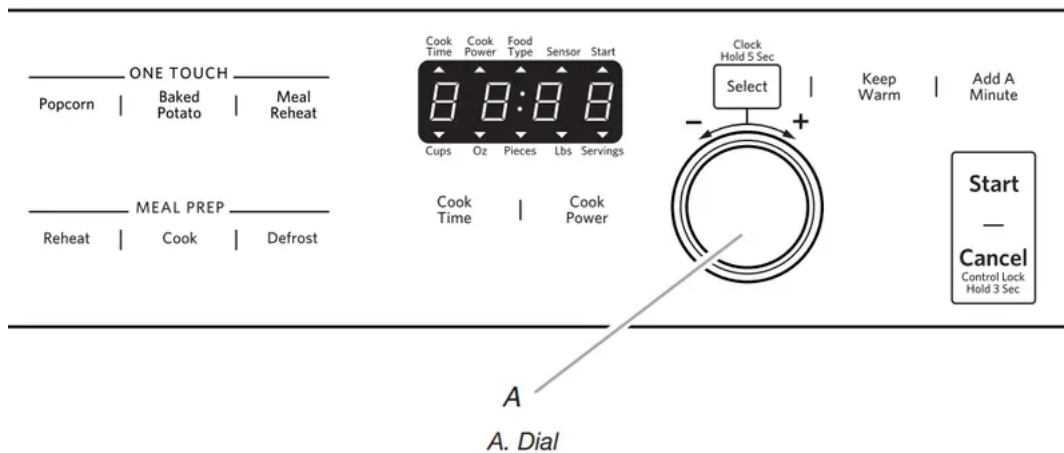


The turntable can rotate in either direction to help cook food more evenly. For best cooking results, do not operate the microwave oven without having the turntable in place. See the “Assistance or Service” section to reorder any of the parts.

### **To Install:**

1. Place the support on the microwave oven cavity bottom.
2. Place the turntable on the support. Fit the raised, curved wedges in the center of the turntable bottom between the 3 spokes of the hub. The rollers on the support should fit inside the turntable bottom ridge.

# MICROWAVE OVEN CONTROL



## Display

When power is first supplied to the microwave oven, a “:” will blink in the display. Touch CANCEL to stop the blinking. If the “:” blinks in the display at any other time, a power failure has occurred. Touch CANCEL and reset the clock if needed. When the microwave oven is in use, the display shows cooking power, quantities, weights, and/or prompts.

When the microwave oven is not in use, the display shows the time of day. When the microwave oven is sensing, sensor animation (clockwise “racetrack” movement) will be active in the display.

## Start

The Start keypad begins any function. If non-sensor cooking is interrupted, touching START will resume the preset cycle. If sensor cooking is interrupted, touching START will resume the cycle only if the sensor already has estimated the cook time and the countdown is active in the display.

**NOTE:** To avoid unintentional operation of the microwave oven, a cooking function cannot be started if the microwave oven door has been closed for about 1 minute or more. “DOOR” will appear in the display until the door is opened and closed.

## Cancel

The Cancel keypad clears any incorrect command and cancels most functions except for the Control Lock and Demo mode. It will not erase the time of day unless the display is in clocksetting mode. See “Clock” section.

The microwave oven will also turn off when the door is opened. Close the door and touch START to resume the cycle. If sensor cooking is interrupted by opening the door while the sensor is estimating the cook time and the sensor animation is active in the display, the cycle will be canceled.

## Add a Minute

The Add a Minute keypad automatically starts the microwave oven at 100% power for 1 minute. Each additional touch of the control will add 1 minute of cook time, up to a total cook time of 10 minutes.

Cook time may be added to a cooking cycle at the current power level by touching ADD A MINUTE. During a manual cooking cycle, each touch of the Add a Minute control will add 1 minute of cook time, up to a total remaining cook time of 10 minutes. The Add a Minute keypad will not add minutes to a cycle that has a remaining cook time of 10 minutes or more.

## Dial

Use the dial to select options, set the clock, set cook time and cook power, select food type and amount/weight, and adjust doneness.

**To Use:** Push dial and release to pop it out. Repeat to return dial to its flush position after each use to avoid breakage of the dial.

## Select

Use the Select keypad to select a chosen function and to set the following options:

- Select a setting or food type and go to the next step.
- Set or cancel clock. See the “Clock” section.
- Set weight measurements to oz or lbs.
- Set amount measurements to pieces, cups, or servings.

See the “Meal Prep” sections for details on using the Select keypad with the automatic cooking, reheating, and defrosting programs.

## Clock

This is a standard 12-hour clock (12:00-11:59).

### To Set:

1. Touch and hold SELECT for 5 seconds. “12:00” will appear in the display with the hour (12) flashing. If you are changing the time, the current set time will appear with the hour flashing.
2. Turn the dial to set the hour.
3. Touch SELECT or START. The “minutes” digits will flash in the display.
4. Turn the dial to set the minutes.
5. Touch SELECT or START to complete the setting.

### To Cancel Clock:

1. Touch and hold SELECT for 5 seconds. The clock-setting display will show.
2. Touch CANCEL. The “:” will appear in the display.

The next time the clock is set, “12:00” will appear in the display when the clock-setting mode is entered.

## **Tones**

Tones are audible signals that may be turned off. These tones indicate the following:

### **One tone**

- Valid entry (short tone)

### **Two tones**

- R/eminder, repeat each minute after the end-of-cycle tones.
- Hidden feature has been entered or exited.

### **Three tones**

- Invalid entry

### **Four tones**

- End of cycle
- End of warming cycle
- Between cooking cycle and warming cycle

### **Five tones**

- Error

## **Demo Mode**

The Demo mode is ideal for learning how to use the microwave oven. When set, functions can be entered without actually turning on the magnetron. The microwave oven light will come on, the fan will run, and the turntable will rotate. When the microwave oven is turned on while in Demo mode, “no” and then “HEAT” will appear in the display.

**To Turn On/Off:** The microwave oven must be OFF. Open the door, then touch and hold COOK for 5 seconds. Three short tones will sound. Repeat to exit Demo mode.

## **Control Lock**

The Control Lock shuts down the control panel keypads to avoid unintended use of the microwave oven.

When the control panel is locked, none of the keypads will function. If a keypad is touched, “LOC” will appear in the display and invalid entry tones will sound.

**To Lock/Unlock Control:** Before locking, make sure the microwave oven is OFF. Touch and hold CANCEL for 5 seconds until 2 tones sound. Repeat to unlock the keypads.

## **Cooling Fan**

Depending on the length of the cooking cycle, the cooling fan may continue to run after that cycle has ended. This is normal and helps eliminate moisture that may accumulate inside the microwave oven before the door is opened.

While the fan is running, "COOL" will appear in the display. The fan will turn off automatically. New cooking functions may be started while "COOL" is still being displayed.

## MICROWAVE OVEN USE

A magnetron in the microwave oven produces microwaves which reflect off the metal floor, walls, and ceiling and pass through the turntable and appropriate cookware to the food. Microwaves are attracted to and absorbed by fat, sugar, and water molecules in the food, causing them to move, producing friction and heat which cooks the food.

- To avoid damage to the microwave oven, do not lean on or allow children to swing on the microwave oven door.
- To avoid damage to the microwave oven, do not operate microwave oven when it is empty.
- Baby bottles and baby food jars should not be heated in microwave oven.
- Clothes, flowers, fruit, herbs, wood, gourds, and paper, including brown paper bags and newspaper, should not be dried in the microwave oven.
- Paraffin wax will not melt in the microwave oven because it does not absorb microwaves.
- Use oven mitts or pot holders when removing containers from microwave oven.
- Do not overcook potatoes. At the end of the recommended cook time, potatoes should be slightly firm. Let potatoes stand for 5 minutes. They will finish cooking while standing.
- Do not cook or reheat whole eggs inside the shell. Steam buildup in whole eggs may cause them to burst, requiring significant cleanup of microwave oven cavity. Cover poached eggs and allow a standing time.

### Food Characteristics

When microwave cooking, the amount, size and shape, starting temperature, composition, and density of the food affect cooking results.

**Amount of Food** The more food heated at once, the longer the cook time needed. Check for doneness and add small increments of time if necessary.

**Size and Shape** Smaller pieces of food will cook more quickly than larger pieces, and uniformly shaped foods cook more evenly than irregularly shaped food.

**Starting Temperature** Room temperature foods will heat faster than refrigerated foods, and refrigerated foods will heat faster than frozen foods.

**Composition and Density** Foods high in fat and sugar will reach a higher temperature and will heat faster than other foods. Heavy, dense foods, such as meat and potatoes, require a longer cook time than the same size of a light, porous food, such as cake.

### **Cooking Guidelines**

**Covering** Covering food helps retain moisture, shorten cook time, and reduce spattering. Use the lid supplied with cookware. If a lid is not available, wax paper, paper towels, or plastic wrap approved for microwave ovens may be used. Plastic wrap should be turned back at one corner to provide an opening to vent steam. Condensation on the door and cavity surfaces is normal during heavy cooking.

**Stirring and Turning** Stirring and turning redistribute heat evenly to avoid overcooking the outer edges of food. Stir from outside to center. If possible, turn food over from bottom to top.

**Arranging** If heating irregularly shaped or different-sized foods, arrange the thinner parts and smaller-sized items toward the center. If cooking several items of the same size and shape, place them in a ring pattern, leaving the center of the ring empty.

**Piercing** Before heating, use a fork or small knife to pierce or prick foods that have a skin or membrane, such as potatoes, egg yolks, chicken livers, hot dogs, and sausage. Prick in several places to allow steam to vent.

**Shielding** Use small, flat pieces of aluminum foil to shield the thin pieces of irregularly shaped foods, bones, and foods such as chicken wings, leg tips, and fish tails. See the “Aluminum Foil and Metal” section first.

**Standing Time** Food will continue to cook by the natural conduction of heat even after the microwave cooking cycle ends. The length of standing time depends on the volume and density of the food.

### **Cookware and Dinnerware**

Cookware and dinnerware must fit on the turntable. Always use oven mitts or pot holders when handling because any dish may become hot from heat transferred from the food. Do not use cookware and dinnerware with gold or silver trim. Use the following chart as a guide, then test before using.

<b>Material</b>	<b>Recommendations</b>
Aluminum Foil, Metal	See the "Aluminum Foil and Metal" section.
Browning Dish	Bottom must be at least $\frac{3}{16}$ " (5 mm) above the turntable. Follow manufacturer's recommendations.
Ceramic Glass, Glass	Acceptable for use
China, Earthenware	Follow manufacturer's recommendations.
Melamine	Follow manufacturer's recommendations.
Paper: Towels, Dinnerware, Napkins	Use nonrecycled and those approved by the manufacturer for microwave oven use.
Plastic: Wraps, Bags, Covers, Dinnerware, Containers	Use those approved by the manufacturer for microwave oven use.
Pottery and Clay	Follow manufacturer's recommendations.
Silicone Bakeware	Follow manufacturer's recommendations.
Straw, Wicker, Wooden Containers	Do not use in microwave oven.
Wax Paper	Acceptable for use

#### **To Test Cookware or Dinnerware for Microwave Use:**

1. Place cookware or dinnerware in microwave oven with 1 cup (250 mL) of water beside it.
2. Cook at 100% cooking power for 1 minute.

Do not use cookware or dinnerware if it becomes hot and the water stays cool.

#### **Aluminum Foil and Metal**

Always use oven mitts or pot holders when removing dishes from the microwave oven. Aluminum foil and some metal can be used in the microwave oven. If not used properly, arcing (a blue flash of light) can occur and cause damage to the microwave oven.

#### **OK for Use**

Racks and bakeware supplied with the microwave oven (on some models), aluminum foil for shielding, and approved meat thermometers may be used with the following guidelines:

- To avoid damage to the microwave oven, do not allow aluminum foil or metal to touch the inside cavity walls, ceiling, or floor.
- Always use the turntable.
- To avoid damage to the microwave oven, do not allow contact with another metal object during microwave cooking.

### **Do Not Use**

Metal cookware and bakeware, gold, silver, pewter, non-approved meat thermometers, skewers, twist ties, foil liners such as sandwich wrappers, staples, and objects with gold or silver trim or a metallic glaze should not be used in the microwave oven.

### **Microwave Cooking Power**

Many recipes for microwave cooking specify which cooking power to use by percent or name. For example, PL7 = 70% = Medium-High. Use the following chart as a general guide for the suggested cooking power of specific foods

<b>Percent/Name</b>	<b>Use</b>
100%, High, PL10 (default setting)	Quick heating convenience foods and foods with high water content, such as soups, beverages, and most vegetables
90%, PL9	Cooking small, tender pieces of meat, ground meat, poultry pieces, and fish fillets Heating cream soups
80%, PL8	Heating rice, pasta or stirrable casseroles Cooking and heating foods that need a cook power lower than high, for example, whole fish and meat loaf
70%, Medium-High, PL7	Reheating a single serving of food
60%, PL6	Cooking sensitive foods such as cheese and egg dishes, pudding, and custards Cooking non-stirrable casseroles such as lasagna
50%, Medium, PL5	Cooking ham, whole poultry, and pot roasts Simmering stews
40%, PL4	Melting chocolate Heating bread, rolls, and pastries
30%, Medium-Low, Defrost, PL3	Defrosting bread, fish, meats, poultry, and precooked foods
20%, PL2	Softening butter, cheese, and ice cream
10%, Low, PL1	Taking chill out of fruit

### **Cook Time Set**

Cook time may be set in the following increments, in minutes and seconds:

<b>Increment</b>	<b>Time Setting</b>
0:05	0:05-1:00
0:15	1:15-3:00
0:30	3:30-6:00
1:00	7:00-30:00
5:00	35:00-90:00

**To Use:**

1. Touch COOK TIME, then turn the dial to desired cook time **OR** touch COOK TIME repeatedly to increase cook time. See chart for time increments. If cooking at 100% power, skip Step 2.
2. Touch COOK POWER, then turn the dial to the desired power level **OR** touch COOK POWER repeatedly to increase cook power.
3. Touch START. The display will count down the cook time. When the cycle ends, “END” will appear in the display and the end-of-cycle tones will sound, followed by reminder tones.
4. Touch CANCEL or open the door to clear the display and/or stop reminder tones.

The cook time may be changed at any time after touching START. The dial may be used to increase or reduce cook time. The Cook Time keypad will only add time.

**Doneness**

For most automatic cooking functions, the doneness of a particular food item can be adjusted by turning the dial. Increasing or decreasing the doneness adds time to, or subtracts time, from the cooking cycle.

For up to 20 seconds after cooking has started, turning the dial will change the doneness value. There are 5 settings: default, “2,” “1,” “-1,” and “-2.” The display shows “----” for the default setting.

Doneness cannot be adjusted for Defrost functions or for the Popcorn function.

Doneness cannot be decreased for Boneless Chicken Breasts function.

**Sensor Cooking**

A sensor in the microwave oven detects humidity released from the food as it heats and adjusts the cook time accordingly. Many sensor cycles require the covering of foods. Microwavesafe containers or steamers with loose-fitting lids are recommended. The loose-fitting lid allows enough steam to escape to be detected by the sensor. When covering foods with plastic wrap, be sure to leave a large enough vent opening to allow the steam to escape. “SC” (sensor cook) will appear in the display during sensor cooking.



**NOTES:**

- The microwave oven should be plugged in for at least 3 minutes.
- The microwave oven cavity and the exterior of the cooking container should be dry.
- The room temperature should not exceed 95°F (35°C).
- If the door is opened while the sensor is detecting moisture (while “SC” appears in the display), sensing will stop and the program will be canceled.

**One-Touch Sensor Cooking**

A sensor in the microwave oven detects humidity released from the food and automatically sets a cooking time based on the selected pad.

**NOTE:** During Popcorn function, as with all microwave cooking functions, the microwave oven should be attended at all times. Listen for popping to slow to 1 pop every 1 or 2 seconds, then stop the cycle.

Use the following chart as a guide for the One-Touch keypads.

<b>Food</b>	<b>Serving Size</b>	<b>Instructions</b>
Popcorn*	3.0 to 3.5 oz (85 to 99 g) or 1.75 oz (50 g)	Pop only one package at a time.
Baked Potato	1 to 4 medium, 10 to 13 oz (283 to 369 g) each, similar in size	Pierce each one several times with a fork. Place on paper towel around turntable edges at least 1" (2.5 cm) apart. Let stand 5 minutes after cooking.
Meal Reheat	1 serving (1 plate), 8 to 16 oz (227 to 454 g)	Place food on plate, cover with plastic wrap, and vent.

\* To avoid damage to the microwave oven, do not use regular paper bags or glassware. For best cooking results, do not try to pop unpopped kernels. Use fresh bags of popcorn for optimal results. Cooking results may vary by brand and fat content. For bag sizes not listed in this section, follow directions on package. If using a microwave popcorn popper, follow manufacturer’s instructions.

**To Use Baked Potato and Meal Reheat:**

1. Place item on turntable and close the door.
2. Touch BAKED POTATO or MEAL REHEAT. The microwave oven will automatically turn on. The sensor animation will appear, followed by the estimated remaining cook time. Doneness may be adjusted during the first 20 seconds of cooking by turning the dial.



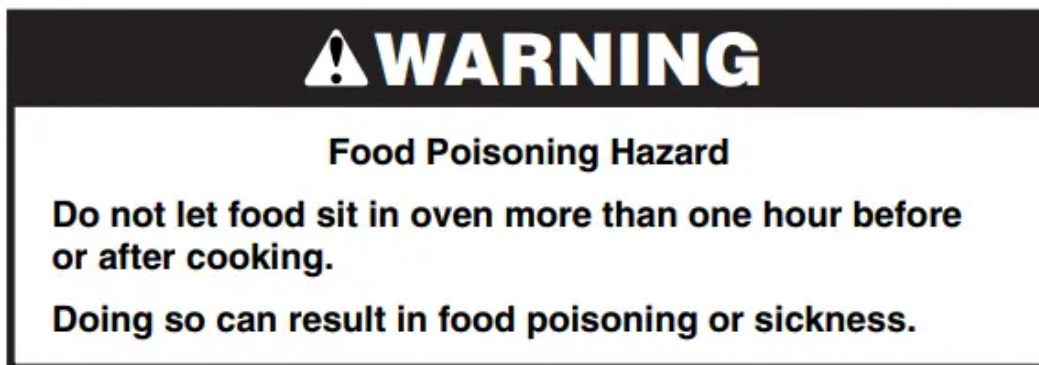
See “Doneness” section. The remaining cook time may be recalculated several times during cooking. Each time, the sensor animation will appear for several seconds, followed by the new remaining time. When the cycle ends, “END” will appear in the display and the end-of-cycle tones will sound, followed by reminder tones.

3. Touch CANCEL or open the door to clear the display and/or stop reminder tones.

#### **To Use Popcorn:**

1. Place popcorn bag on the turntable, correct side up, as indicated on the package.
2. Touch POPCORN. The display will show “3.0-” followed by “3.5.” Turning the dial or touching POPCORN again will change the selection to “1.75.” See chart for details.
3. Touch START. The sensor animation will appear in the display. When the cycle ends, “END” will appear in the display and the end-of-cycle tones will sound, followed by reminder tones.
4. Touch CANCEL or open the door to clear the display and/or stop reminder tones.

#### **Keep Warm**



Hot cooked food can be kept warm in the microwave oven. The Keep Warm function uses 10% cook power. Keep Warm can be used by itself or can be programmed to follow a cooking cycle.

- Cover plates of food.
- Cover foods that were covered while being cooked.
- For best results, do not cover baked goods such as pastries, pies, turnovers, etc.

#### **To Use (for single cycle):**

1. Touch KEEP WARM. The display will show “60:00” which is the maximum default warming time.
2. Adjust the warming time, if desired, by turning the dial.
3. Touch START. The display will count down the warming time and the Cook Time indicator will flash. Warming time may be adjusted at any time during the Keep Warm cycle by turning the dial. The 10% cook power cannot be changed during the Keep Warm cycle.

When the cycle ends, “END” will appear in the display and the end-of-cycle tones will sound, followed by reminder tones.

4. Touch CANCEL or open the door to clear the display and/or stop reminder tones.

**To Set at End of Cycle:** During any cooking function, except Popcorn or Defrost, touch KEEP WARM. The Cook Time indicator will flash. Touch START. When the current cooking cycle has ended, the end-of-cycle tones will sound and then the Keep Warm cycle will automatically start. The Cook Time indicator will flash and the display will count down the warming time. Warming time may be adjusted at any time during the countdown. At the end of the Warming cycle, “END” will appear in the display and the end-of-cycle tones will sound, followed by reminder tones. Touch CANCEL or open the door to clear the display and/or stop reminder tones.

**To Warm Manually:** Follow instructions in “Cook Time Set” section and use 10% cooking power. See “Microwave Cooking Power” chart.

## MICROWAVE OVEN CARE

### General Cleaning

**IMPORTANT:** Before cleaning, make sure all controls are OFF and the microwave oven is cool. Always follow label instructions on cleaning products. Soap, water, and a soft cloth or sponge are suggested unless otherwise noted.

#### MICROWAVE OVEN CAVITY

To avoid damage to the microwave oven cavity, do not use soap-filled scouring pads, abrasive cleaners, steel-wool pads, gritty washcloths, or some recycled paper towels. To avoid damage to stainless steel models, rub in direction of grain. The area where the microwave oven door and frame touch when closed should be kept clean.

#### Average soil

- Mild, nonabrasive soaps and detergents: Rinse with clean water and dry with soft, lint-free cloth.

#### Heavy soil

- Mild, nonabrasive soaps and detergents: Heat 1 cup (250 mL) of water for 2 to 5 minutes in microwave oven. Steam will soften soil. Rinse with clean water and dry with soft, lint-free cloth.

#### Odors

- Lemon juice or vinegar: Heat 1 cup (250 mL) of water with 1 Tbsp (15 mL) of either lemon juice or vinegar for 2 to 5 minutes in microwave oven.

**Microwave Inlet Cover** To avoid arcing and microwave oven damage, the microwave inlet cover (see the “Parts and Features” section) should be kept clean.

- Wipe with wet cloth.

## **MICROWAVE OVEN DOOR AND EXTERIOR**

The area where the microwave oven door and frame touch when closed should be kept clean.

- Mild, nonabrasive soaps and detergents: Rinse with clean water and dry with soft, lint-free cloth.
- Glass cleaner and paper towels or nonabrasive plastic scrubbing pad: Apply glass cleaner to towel, not directly to surface.

**Stainless Steel (on some models)** To avoid damage to microwave oven door and exterior, do not use soap-filled scouring pads, abrasive cleaners, steel-wool pads, gritty washcloths, or some paper towels. Rub in direction of grain.

- Stainless steel cleaner (not included): See “Assistance or Service” section to order.
- Vinegar for hard water spots

## **CONTROL PANEL**

To avoid damage to the control panel, do not use abrasive cleaners, steel-wool pads, gritty washcloths, or some paper towels. Make sure dial is pushed into its flush position.

- Glass cleaner and soft cloth or sponge: Apply glass cleaner to soft cloth or sponge, not directly onto panel.

## **TURNTABLE**

Replace turntable immediately after cleaning. Do not operate the microwave oven without the turntable in place.

- Mild cleanser and scouring pad
- Dishwasher

# TROUBLESHOOTING



If you experience	Recommended Solutions
Nothing will operate	<p>Check the following:</p> <ul style="list-style-type: none"> <li>• Household fuse or circuit breaker: If a household fuse has blown or a circuit breaker has tripped, replace the fuse or reset the circuit breaker. If the problem continues, call an electrician.</li> <li>• Microwave wiring: See Installation Instructions provided with your microwave oven.</li> </ul>
Microwave oven will not operate	<p>Check the following:</p> <ul style="list-style-type: none"> <li>• Magnetron: Try to heat 1 cup (250 mL) of cold water for 2 minutes at 100% cooking power. If water does not heat, try the steps in the bullets below. If microwave oven still does not operate, call for service. See “Assistance or Service” section.</li> <li>• Door: Firmly close door. On some models, if a packaging spacer is attached to the inside of the door, remove it, then firmly close door. If a message about the door appears in the display, the door has been closed for 5 minutes or more without the microwave oven being started. This occurs to avoid unintended starting of the microwave oven. Open and close the door, then start the cycle.</li> <li>• Control: Make sure control is set properly. Make sure Control Lock is OFF. Make sure Demo mode (on some models) is OFF.</li> </ul>
Microwave oven makes humming noise	<ul style="list-style-type: none"> <li>• This is normal and occurs when the power supply in the magnetron cycles on.</li> </ul>
Microwave oven door looks wavy	<ul style="list-style-type: none"> <li>• This is normal and will not affect performance.</li> </ul>
Turntable will not operate	<p>Check the following:</p> <ul style="list-style-type: none"> <li>• Turntable: Make sure turntable is correct-side up and is sitting securely on the turntable support. See the “Turntable” section.</li> </ul>



	<ul style="list-style-type: none"> <li>• Turntable support: Remove turntable. Remove and clean turntable hub, support, and rollers. Replace hub, support, and turntable. Place 1 cup (250 mL) of water on the turntable, then restart microwave oven. If it still is not working, call for service. See the “Assistance or Service” section. Do not operate the microwave oven without turntable and turntable support working properly.</li> </ul>
Turntable alternates rotation directions	<ul style="list-style-type: none"> <li>• This is normal and depends on motor rotation at the beginning of the cycle.</li> </ul>
Display shows messages	<ul style="list-style-type: none"> <li>• Display is showing an “Oven Status” with a letter/number code and instruction to inform KitchenAid: The microwave oven has detected an internal problem. It has run a self-checking program and displayed the error. Call for service. See the “Warranty” section for contact information.</li> </ul>
Display shows time countdown, but the microwave oven is not operating	<p>Check the following:</p> <ul style="list-style-type: none"> <li>• Timer: See the “Timer” section.</li> <li>• Demo mode (one some models): See “Demo mode” section.</li> </ul>
Fan running slower than usual	<ul style="list-style-type: none"> <li>• The microwave oven has been stored in a cold area: The fan will run slower until the microwave oven warms up to normal room temperature.</li> </ul>
Cooking times seem too long	<p>Check the following:</p> <ul style="list-style-type: none"> <li>• Cooking power: See the “Microwave Cooking Power” section.</li> <li>• Amount of food: Larger amounts of food need longer cooking times.</li> <li>• Voltage: Have a qualified electrician check the electrical system in the home.</li> </ul>

Radio, TV, or cordless phone interference	<p>Check the following:</p> <ul style="list-style-type: none"><li>• Proximity: Move the receiver away from the microwave oven or adjust the radio or TV antenna. If the microwave oven is plugged into the same outlet, try a different outlet for the electronic device.</li><li>• Soil: Make sure the microwave oven door and sealing surfaces are clean.</li><li>• Frequency: Some 2.4 GHz-based cordless phones and home wireless networks may experience static or noise while microwave oven is ON. Use a corded phone, a different frequency cordless phone, or avoid using these items during microwave oven operation.</li></ul>
---	---

**Warning**

This content is compiled from multiple sources and is provided for reference purposes only. It may not be complete or fully applicable to all situations. If you are unable to resolve your issue, please contact the product manufacturer or an authorized service provider for official support.

