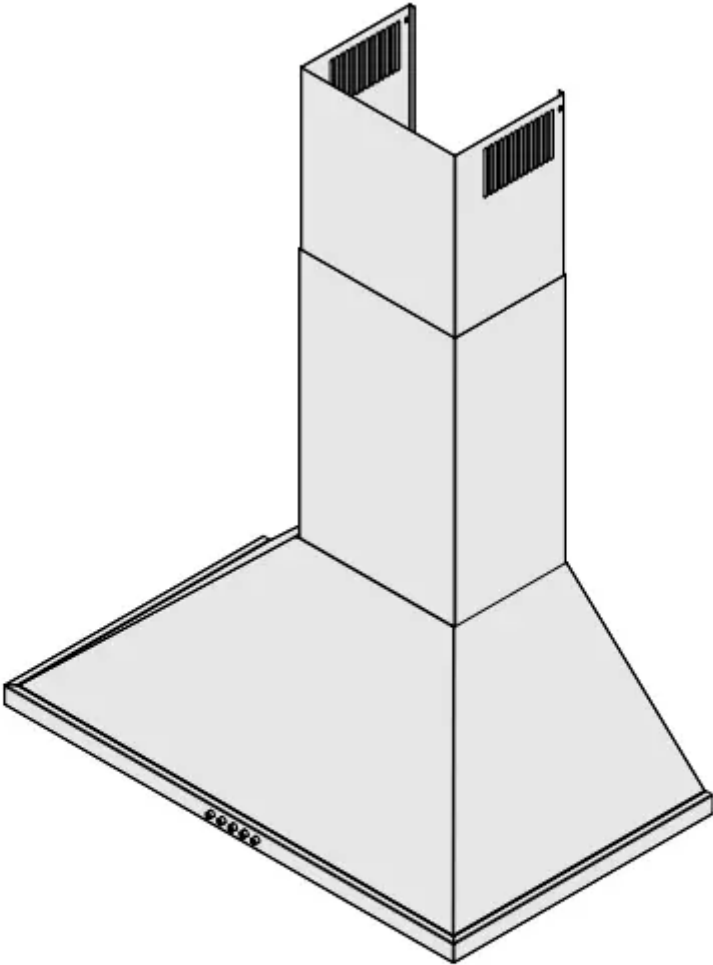
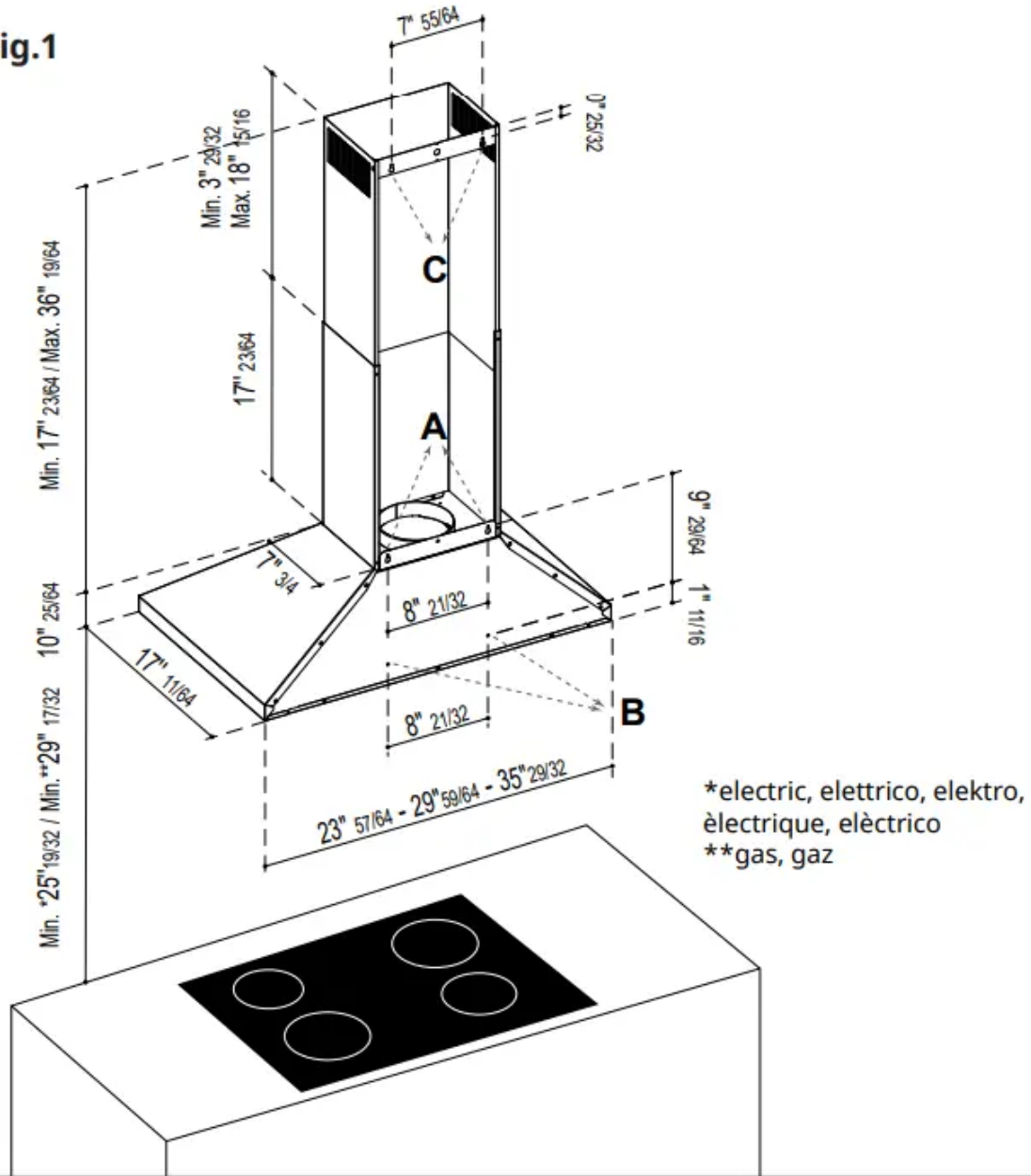


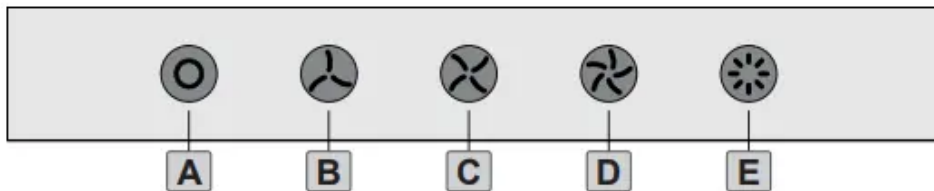
USER MANUAL Wall Mount Range Hood

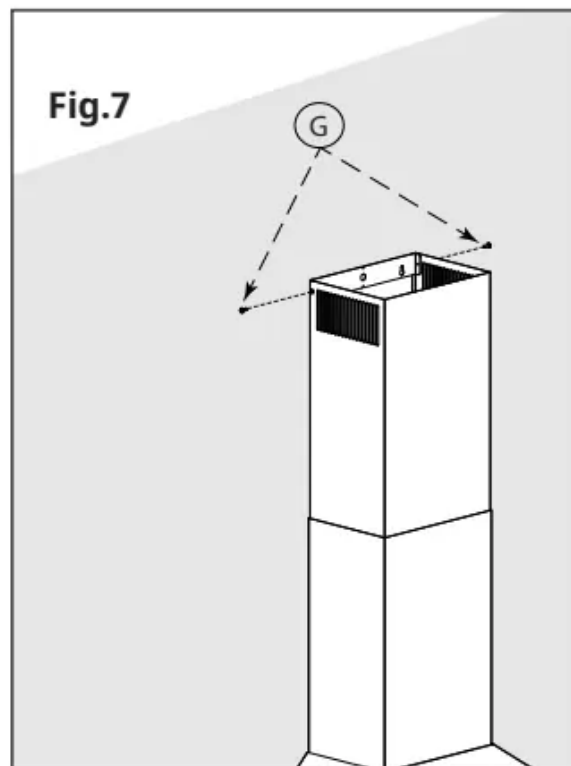
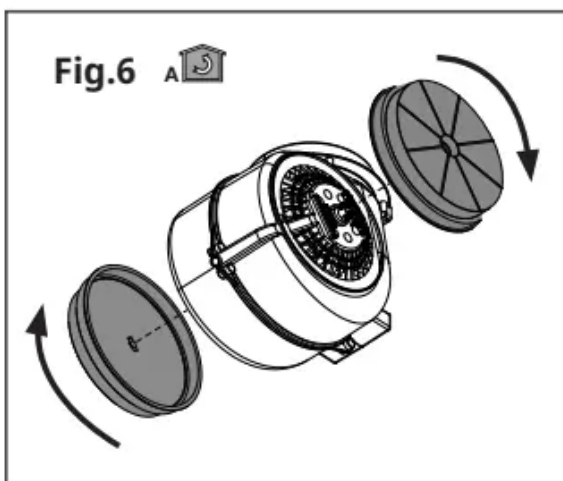
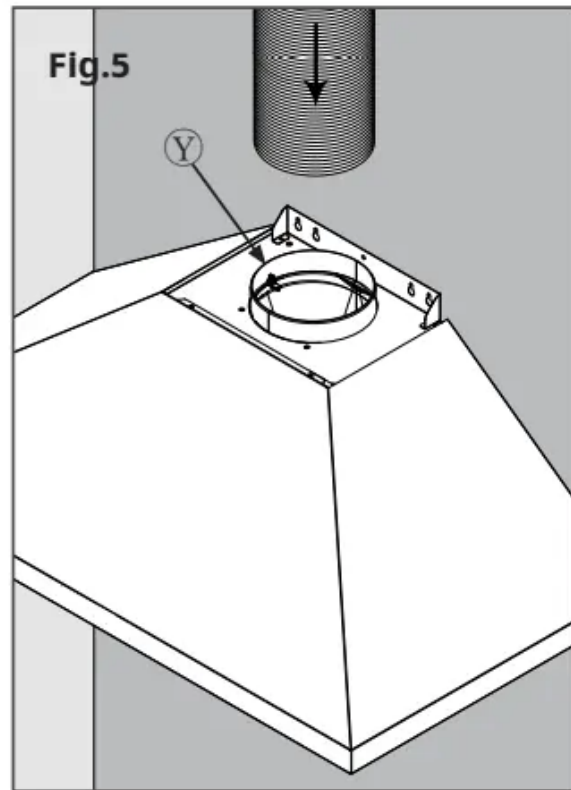
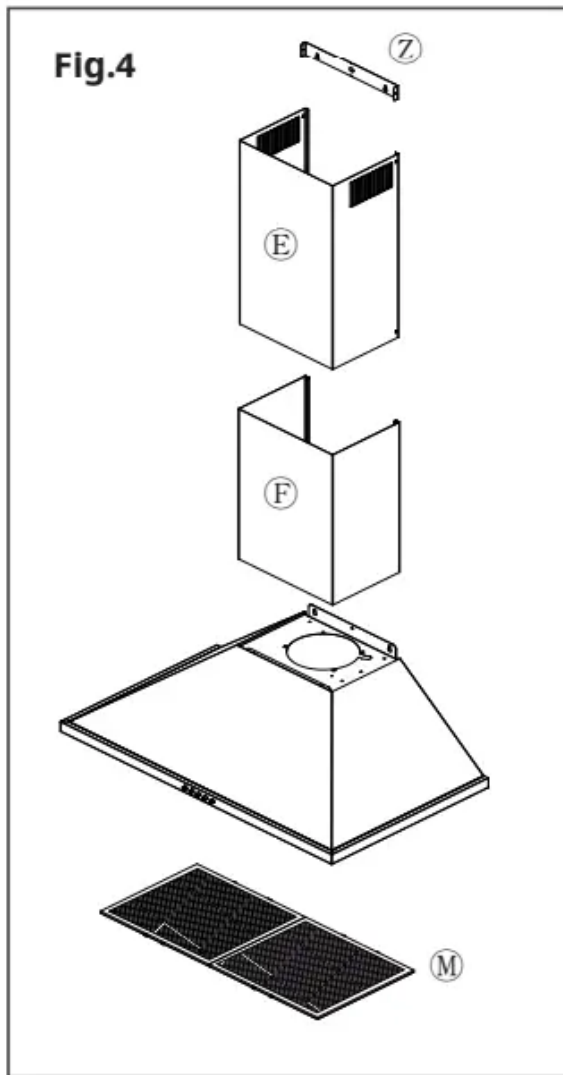


**Fig.1**



**Fig.2**





## INSTALLATION

The hood may be in recirculating or in exhaust version (see A-B-C pag.2). Decide from the outset which type is to be installed. For better efficiency, we recommend installing the hood in the exhaust version (if possible).

## RECIRCULATING VERSION (A)



The hood purifies the air and recycles the clean air back into the room. For this version, the following is required: a theft-proof cover, a reducer and charcoal filter.

In the version with flue, the upper flue must have the air evacuation slots positioned in the upper part and the deflector must be used in place of the anti-theft cover. The upper flue air evacuation slots must be positioned at the top.

## EXHAUST VERSION (B) (C)



The hood purifies the air and evacuates it to the outside through an exhaust duct or hole (diameter 5"29/32).

Roof Venting (B)

Wall Venting (C)

## AIR VENT

(for exhaust versions)

- Prepare the hole and the air vent duct (5"29/32 diameter - The component is not included in the product, but can be purchased separately).
- Use a duct of the shortest possible length.
- Use a duct with as few elbows as possible maximum elbow angle: 90°).
- Avoid drastic changes in the duct crosssection.
- Use a duct with an as smoothest possible interior.
- The duct must be made of certified material.
- Do not connect the hood to smoke exhaust ducts for the products of combustion (boilers, fireplaces, stoves, etc).
- For the air vents comply with the provisions laid down by the competent authorities. In addition, the air must not be evacuated through a hole in the wall unless specifically intended for this purpose.
- Fit air intakes in the room to prevent the hood from creating a negative pressure in the room (which must not exceed 0.04 mbar); if the hood is used at the same time as non-

electrical equipment (gas-, oil- and charcoal-fired stoves, etc.) the exhaust gas may be sucked in by the heat source.

## ASSEMBLY

**WARNING:** Very heavy product; hood handling and installation must be carried out by at least two persons.

**WARNING:** Wear gloves and goggles when carrying out installation and maintenance operations.

**WARNING:** Failure to install the screws or fixing device in accordance with these instructions may result in electrical hazards.

The minimum distance between the supporting surface for the cooking equipment on the hob and the lowest part of the range hood must be not less than 25" 19/32 from electric cookers and 29" 17/32 from gas or mixed cookers. If the instructions for installation for the gas hob specify a greater distance, this must be adhered to.

Wall anchors are provided to secure the hood to most types of walls/ceilings. However, a qualified technician must verify suitability of the materials in accordance with the type of wall/ceiling. The wall/ceiling must be strong enough to take the weight of the hood. Do not tile, grout or silicone.

In case of doubt, contact an authorized service provider.

## CONNECTION EXHAUST

Link a 5" 29/32 diameter air outlet chimney to the spigot. This pipe is a separate accessory.

**Warning: To reduce the risk of fire use only metal ductwork.**

Attention: The appliance is provided with a supply cord, the appliance must be positioned so that the plug is accessible.

**Attention :** If there are three wires in the electrical supply cable they must be connected as follows:

Grey/Yellow = ground - White = neutral - Black = line

**Important : The hood manufacturer will not be responsible for any damage or loss caused by failure to observe these instructions.**

**Important : a damaged power supply cord must be replaced by an authorized service provider.**

## WARNING

## GROUNDING INSTRUCTIONS

This appliance must be grounded. In the event of an electrical short circuit , grounding reduces the risk of electric shock by providing an escape wire for electric current.

This appliance is equipped with a cord having a grounding. The plug must be plugged into an outlet that is properly installed and grounded.

**WARNING** : Improper grounding can result in a risk of electrical shock.

Consult a qualified electrician if the grounding instructions are not completely understood, or if doubt exists as to whether the appliance is properly grounded.

Do not use an extension cord. If the power supply cord is too short have a qualified electrician install an outlet near the appliance.

## **USING THE COOKER HOOD**

The hood should be switched on before or at the moment the cooking process initiates.

The filters are more effective if the fan is not switched off immediately after cooking or frying is completed, but only after a period of some 20-30 minutes. Before using the cooker hood please ensure that all plastic films like on metal grease filter and stainless steel ducting are removed.

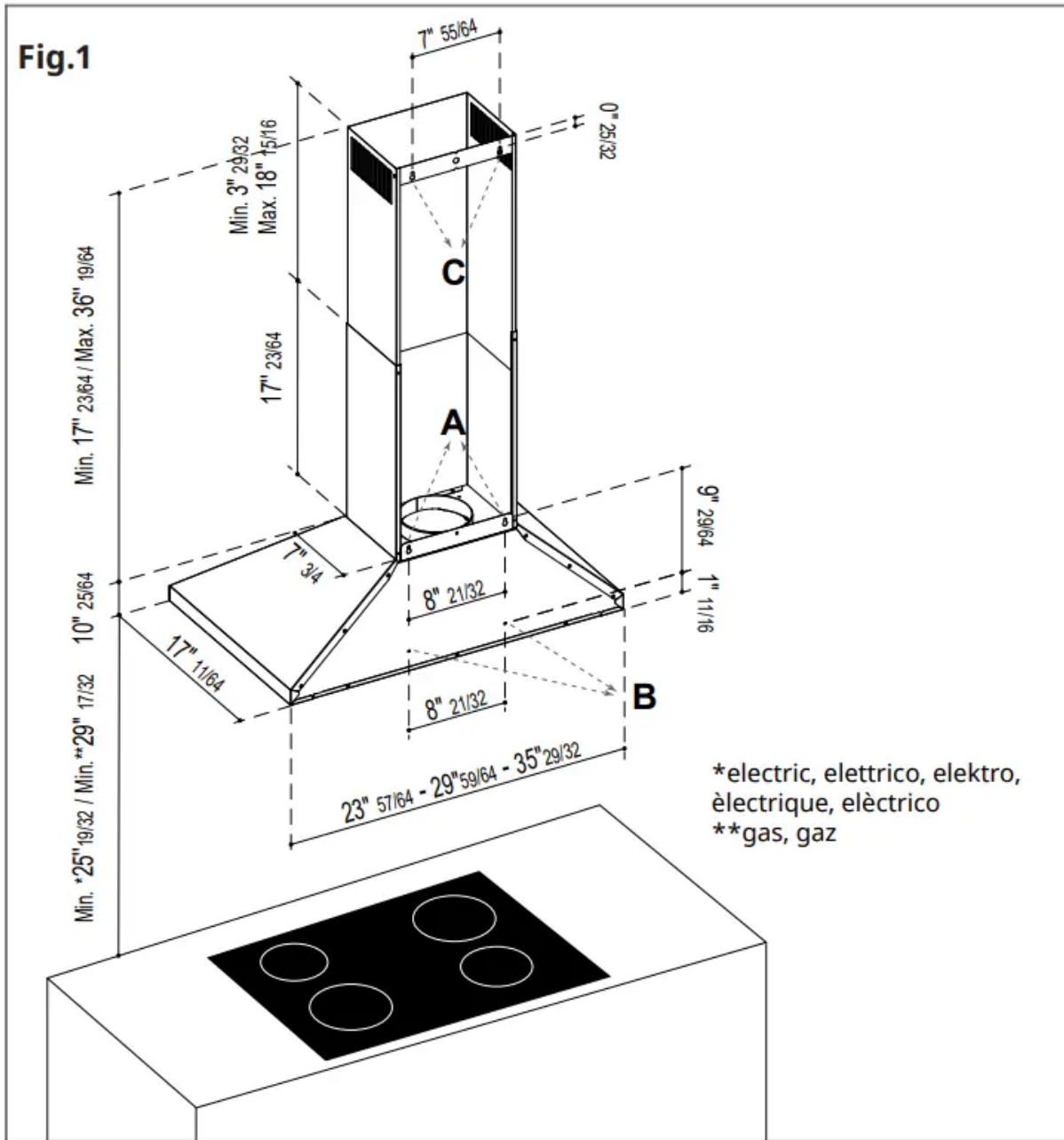
## **INSTALLATION INSTRUCTIONS**

This hood has been arranged to be installed above a cook top. It can be used in 2 ways:

**EXHAUST MODE:** the kitchen fumes are purified by the metal anti-grease fumes filters and carried outside through a ducting system. (A-B)

### **INSTALLATION**

The appliance must be installed at a minimum height of 25" 19/32 from an electric cooker stove, or 29" 17/32 from gas or combined cooker stoves. (Fig.1)

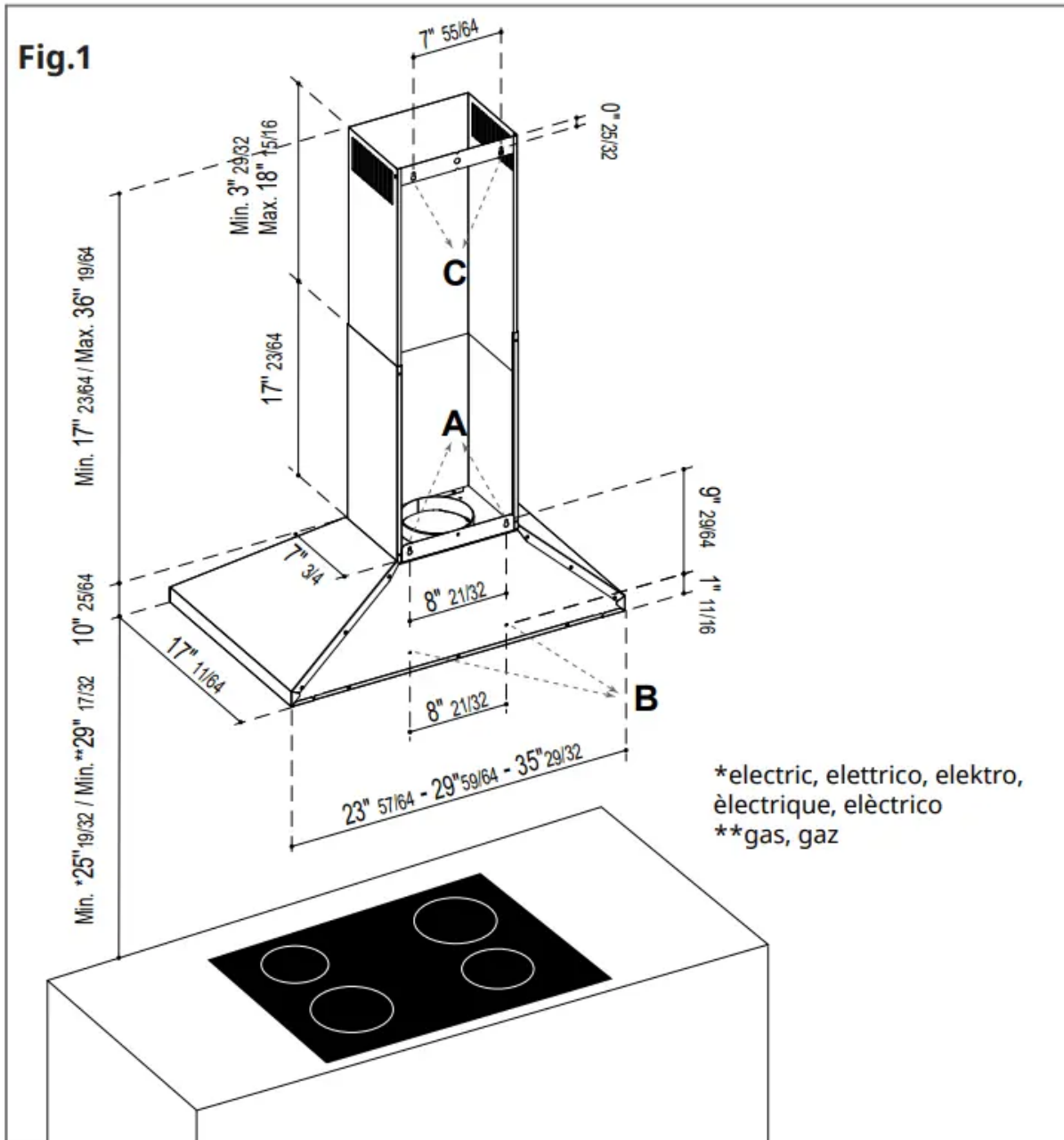


If a connection tube composed of two parts is used, the upper part must be placed outside the lower part.

Do not connect the cooker hood exhaust to the same conductor used to circulate hot air or for evacuating fumes from other appliances generated by other than an electrical source.

### MOUNTING THE COOKER HOOD TO THE WALL

Drill holes A-B-C according to indications quoted in (fig.1).



Use screws and screw anchors suitable for wall (e.g. reinforced cement, plasterboard) for the mounting of the cooker hood. Where screws and screw anchors are supplied ensure that they are suitable for the type of wall where the cooker hood is to be mounted.

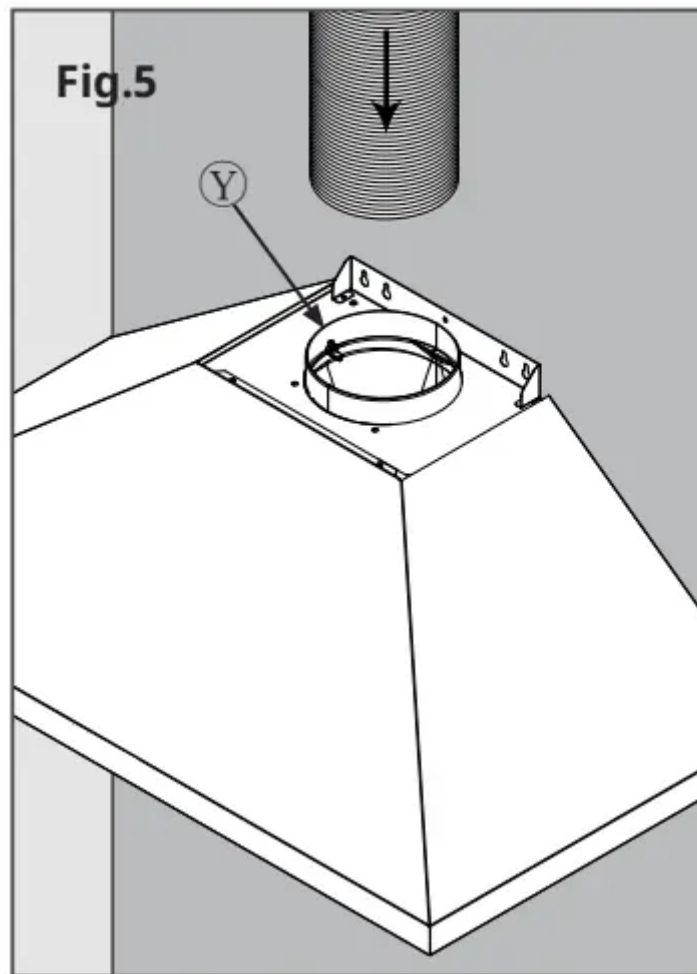
Affix the bracket Z to the wall via the drill holes C

Hang the cooker hood on the wall using the drill holes A.

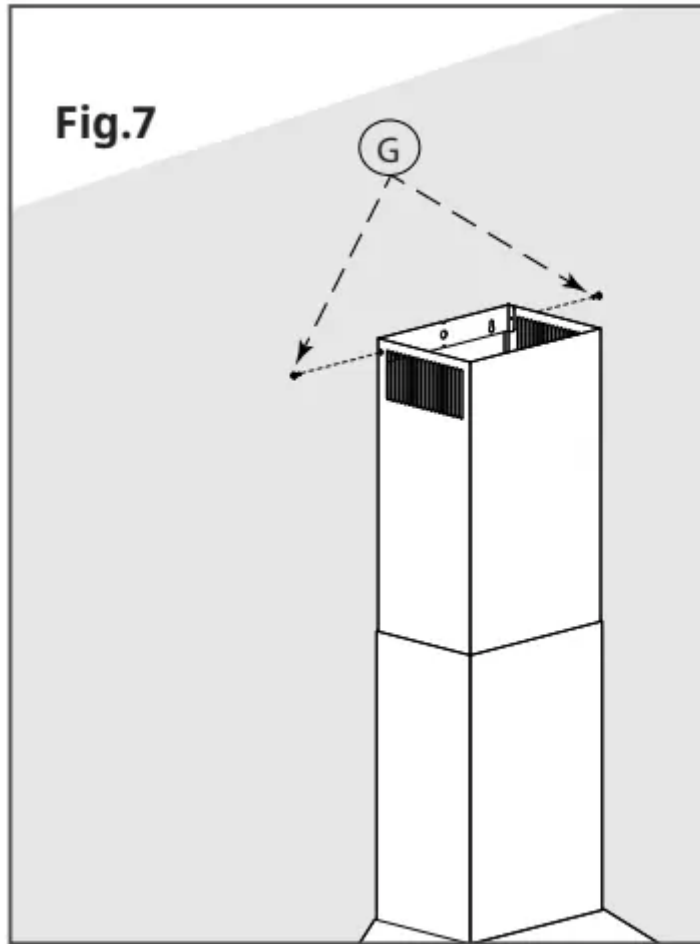
Fasten the cooker hood using the fastening drill holes B.

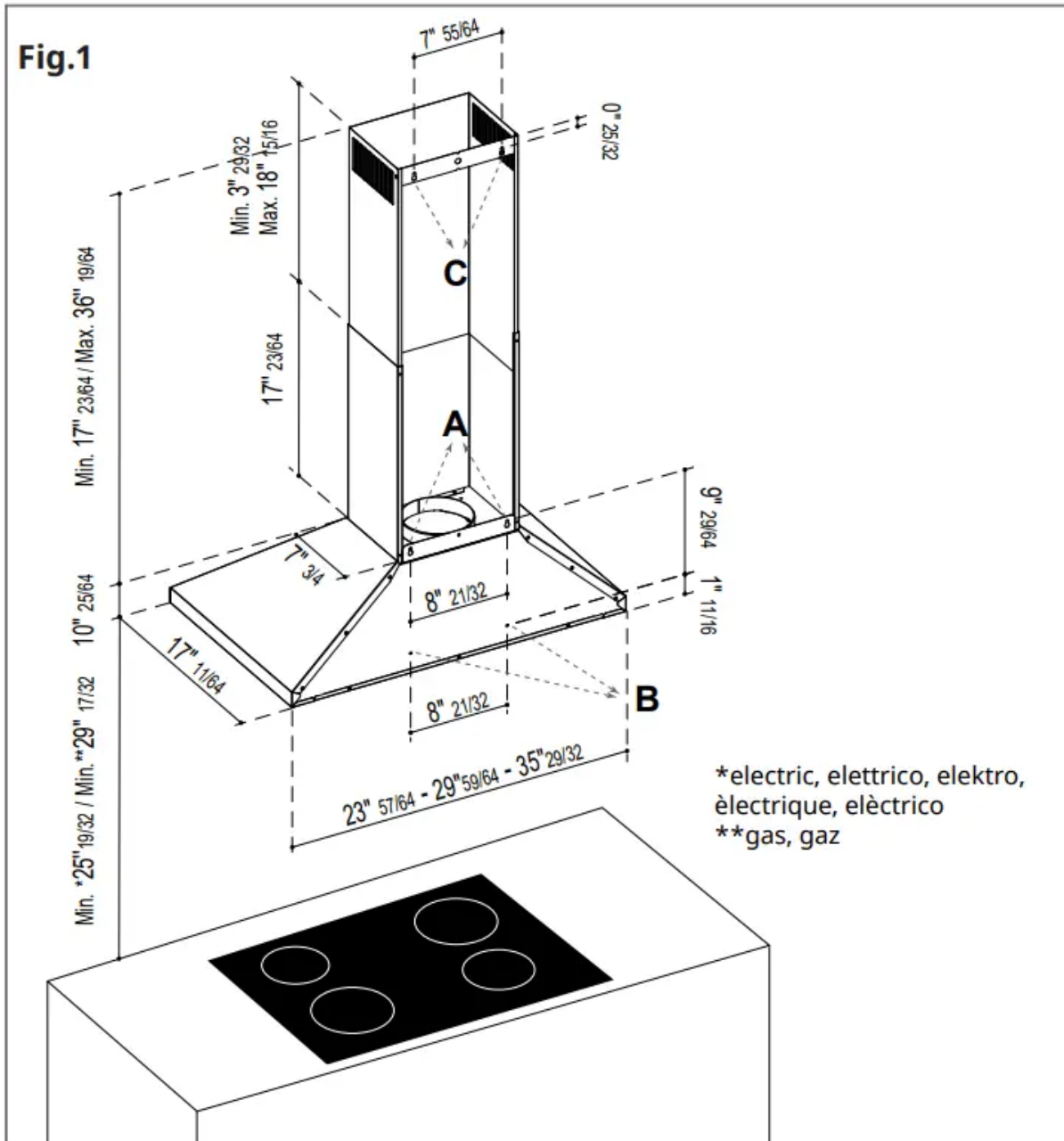
### EXHAUST VERSION

Connect the flange Y to the exhaust opening with a connecting tube Fig.5 (not necessary for recirculating version).



Thread the upper connector E to the inside of the lower connector F; hang the two connectors inserting them vertically on the cooker hood, unthread the upper connector E towards the top, locking it in with the appropriate screws in the drill holes G of the bracket Z (fig. 7) previously affixed to the wall via the drill holes C (fig. 1).



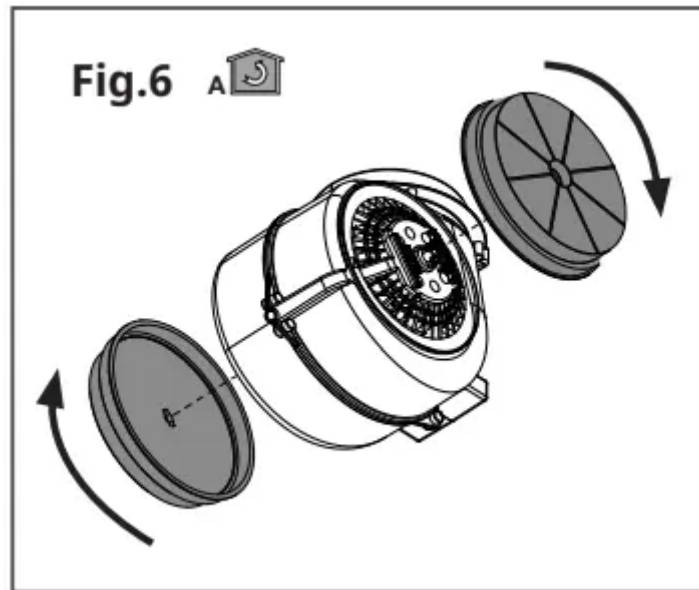


RE-

### CIRCULATING VERSION

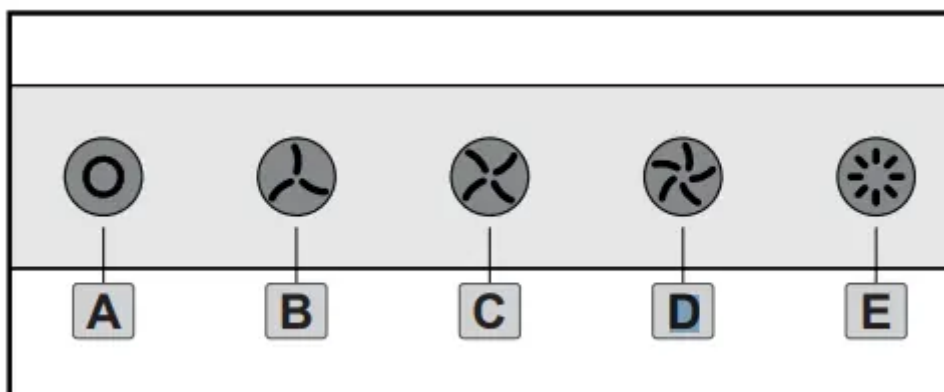
In order to transform your cooker hood from the exhaust version to the re-circulating version, ask your local retailer for active carbon filters and then carry out the assembly instructions for the filter version.

The active carbon filters are not included in the hood, but must be purchased as a kit separately. The filters must be applied to the suction unit located inside the hood (fig. 6).



The air is replaced in the environment via the eyelets impressed on the connector A.

## CONTROL PANEL



- A- Fan-off
- B- First speed (minimum)
- C- Second speed (medium)
- D- Third speed (maximum)
- E- Light ON/OFF

## MAINTENANCE

**Caution!** Before any cleaning or maintenance disconnect the hood from the mains by removing the plug or disconnecting the main switch of the dwelling.

## Cleaning

The cooker hood should be cleaned regularly (at least with the same frequency with which you carry out maintenance of the grease filters) internally and externally.

Clean using the cloth dampened with neutral liquid detergent, mild, non corrosive.

Do not use abrasive products. DO NOT USE ALCOHOL!

**WARNING:** Failure to carry out the basic cleaning recommendations of the cooker hood and replacement of the filters may cause fire risks. Therefore, we recommend observing these instructions.

The manufacturer declines all responsibility for any damage to the motor or any fire damage linked to inappropriate maintenance or failure to observe the above safety recommendations.

The manufacturer declines all responsibility of damage or malfunctions due to appliance not being installed according to instructions.



The grease filter captures grease and oil particles. Filters must be cleaned once a month, using non aggressive detergents, either by hand or in the dishwasher, which must be set to a low temperature and a short cycle. When washed in a dishwasher, the grease filter may discolour slightly, but this does not affect its filtering capacity.

### Charcoal filter (recirculating version only)

It absorbs unpleasant odours caused by cooking. The saturation of the charcoal filter occurs after prolonged use or frequent use, depending on the type of cooking and the frequency of cleaning of the grease filter.

In any case it is necessary to replace the cartridge at least every four months. The charcoal filter may NOT be washed or regenerated.

### Replacing lamps

The hood is equipped with a lighting system based on LED technology. The LEDs guarantee an optimum lighting, a duration up to 10 times as long as the traditional lamps and allow to save 90% electrical energy.

For replacement, contact your local service provider or parts distributor.

The LED lamp replacement procedure is as follows (12V , 4000 K, 1,5 Watt, Type L28):

1. Disconnect the hood from the power supply.
2. Remove the grease filters.

3. Disconnect the LED lamp by disconnecting the connector from the wiring.
4. At the same time, squeeze the spring that locks the LED spotlight and push it out of its seat.
5. Insert the new spotlight, taking care to first pass the connector with its wiring.
6. Position the spring in a central position in the two appropriate grooves and press to fit the spotlight.
7. Reconnect the spotlight connector with the wiring harness connector.
8. Install the grease filters.
9. Reconnect the hood to the electricity supply.
10. Perform function check of the new spotlight.

## **READ AND SAVE THESE INSTRUCTIONS**

### **WARNING - TO REDUCE THE RISK OF A RANGE TOP GREASE FIRE :**

- a. Never leave surface units unattended at high settings. Boilovers cause smoking and greasy spill overs that may ignite. Heat oils slowly on low or medium settings.
- b. Always turn hood ON when cooking at high heat or when flambeing food (le crepes suzette, cherries jubilee, peppercorn beef flambè).
- c. Clean ventilating fans frequently. Grease should not be allowed to accumulate on fan or filter.
- d. Use proper pan size. Always use cookware appropriate for the size of the surface element.

**WARNING :** to reduce the risk of fire or electric shock, do not use this fan with any solid state speed control device

### **WARNING TO REDUCE RISK OF FIRE, ELECTRIC SHOCK, OR INJURY TO PERSON, OBSERVE THE FOLLOWING :**

- a. Use this unit only in the manner intended by the manufacturer. If you have questions, contact the manufacturer.
- b. Before servicing or cleaning unit, switch power off at service panel and lock the service disconnecting means to prevent power from being switched on accidentally. When the service disconnecting means cannot be locked, securely fasten a prominent warning device, such as a tag, to the service panel.

**CAUTION:** For general Ventilating use only. Do not use to exhaust hazardous or explosive material and vapors.

**WARNING TO REDUCE THE RISK OF INJURY TO PERSONS IN THE EVENT OF A RANGE TOP FIRE , OBSERVE THE FOLLOWING:**

- a. Smother flames with a close-fitting lid, cookie sheet, or metal tray, then turn off the burner. BE CAREFUL TO PREVENT BURNS. If the flames do not go out immediately. EVACUATE AND CALL THE FIRE DEPARTMENT.
- b. NEVER PICKUP A FLAMING PAN You may be burned.
- c. DO NOT USE WATER, including wet dishcloths or towels - a violent steam explosion will result.
- d. Use an extinguisher only if :
  1. You know you have a Class ABC extinguisher, and you already know how to operate.
  2. The fire is small and contained in the area where it started.
  3. The fire department is being called.
  4. You can fight the fire with your back to an exit. (based on “Kitchen Fire safety Tips” published by NFP A.

**WARNING TO REDUCE THE RISK OF INJURY TO PERSONS IN THE EVENT OF A RANGE TOP FIRE , OBSERVE THE FOLLOWING :**

- a. Installation work and electrical wiring must be done by qualified person(s) in accordance with all applicable codes and standards, including fire rated construction.
- b. Sufficient air is needed for proper combustion and exhausting of gases through the flue (chimney) of fuel burning equipment to prevent back drafting. Follow the heating equipment manufacturer’s guideline and safety standards such as those published by the National Fire Protection Association (NFPA), and the American Society for heating, refrigeration and air conditioning engineers (ASHRAE) and the local code authorities.
- c. When cutting or drilling into wall or ceiling, do not damage electrical wiring and other hidden utilities.
- d. Ducted fans must always be vented to the outdoors.
- e. If this unit to be installed over a tub or shower, it must be marked as appropriate for the application and be connected to a GFCI (Ground Fault Circuit Interrupter) protected branch circuit.
- f. Never place a switch where it can be accessible from a tub or shower.

**PROTECTING THE ENVIRONMENT**

**Suggestions for a correct use in order to reduce the environmental impact**

- Switch ON the hood at minimum speed when you start cooking, and kept it running for few minutes after cooking is finished.



- Increase the speed only in case of large amount of smoke and steam.
- Replace the charcoal filter(s) when necessary to maintain a good odour reduction efficiency.
- Clean the grease filter(s) when necessary to maintain a good grease filter efficiency.
- Use the maximum diameter of the ducting system indicated in this manual to optimize efficiency and minimize noise.

**Warning**

This content is compiled from multiple sources and is provided for reference purposes only. It may not be complete or fully applicable to all situations. If you are unable to resolve your issue, please contact the product manufacturer or an authorized service provider for official support.