

# INSTALLING YOUR REFRIGERATOR OR FREEZER

## Unpacking

### **WARNING: Excessive Weight Hazard**

**Use two or more people to move and assemble shelving.**

**Failure to do so can result in back or other injury.**

- Remove and recycle or discard all packaging materials except for the foam corner posts, which will be used for installation.
- Remove tape and glue residue from surfaces before turning on the refrigerator or freezer. Rub a small amount of liquid dish soap over the adhesive with your fingers. Wipe with warm water and dry.
- Do not use sharp instruments, rubbing alcohol, flammable fluids, or abrasive cleaners to remove tape or glue. These products can damage the surface of your refrigerator or freezer. For more information, see the “Safety” section.

### **When Moving Your Refrigerator:**

Your refrigerator is heavy. When moving the refrigerator for cleaning or service, be sure to cover the floor with cardboard or hardboard to avoid floor damage. Always pull the refrigerator straight out when moving it. Do not wiggle or “walk” the refrigerator when trying to move it, as floor damage could occur.

## Cleaning Before Use

After you remove all of the packaging materials, clean the inside of your refrigerator or freezer before using it. See the cleaning instructions in the “Caring For Your Refrigerator or Freezer” section.

**Important information to know about glass shelves and covers:** Do not clean glass shelves or covers with warm water when they are cold. Shelves and covers may break if exposed to sudden temperature changes or impact, such as bumping. Tempered glass is designed to shatter into many small, pebble-size pieces. This is normal. Glass shelves and covers are heavy. Use both hands when removing them to avoid dropping.

## Location Requirements

### **WARNING: Explosion Hazard**

**Keep flammable materials and vapors, such as gasoline, away from refrigerator.**

**Failure to do so can result in death, explosion, or fire.**

## Ventilation and Clearance

- Keep flammable materials and vapors, such as gasoline, away from unit.
- Do not cover the unit with items such as blankets, sheets, tablecloths, etc. This reduces air circulation.

To ensure proper ventilation for your refrigerator or freezer, allow for 1/2" (12.7 mm) space on each side and at the top. When installing your refrigerator or freezer next to a fixed wall, leave 2" (5.08 cm) minimum on the hinge side (some models require more) to allow for the door to swing open.

## Temperature

- Your refrigerator or freezer operates most efficiently when located in an area where the temperature will not fall below 25°F (-4°C). Place your refrigerator or freezer in a location where the temperature will not fall below this recommended temperature.
- If using the unit in an area with temperature variability, do not store sensitive food items. Check frequently for food freshness and taste.
- The warmer the outside temperature, the longer it will take the unit to cool to the set point temperature when food is added.

## Upon Moving To Final Location

**NOTE:** This refrigerator or freezer may be installed side by side with another freezer or refrigerator. Allow for a 1" (2.54 cm) space behind the refrigerator or freezer and a 1/4" (6.4 mm) clearance between the appliances.

## Tools

Gather the required tools before assembly:

- 5/16" hex-head socket wrench
- 3/8" hex-head socket wrench
- 2" flat putty knife
- Phillips screwdriver
- 1/2" wrench
- TORX® T25®† screwdriver
- TORX® T40®† screwdriver
- 3/8" Combination wrench

## Helpful Tools:

- Electric screwdriver
- 3/8" ratchet wrench

## Electrical Requirements

### **WARNING: Electrical Shock Hazard**

**Plug into a grounded 3 prong outlet.**

**Do not remove ground prong.**

**Do not use an adapter**

**Do not use an extension cord.**

**Failure to follow these instructions can result in death, fire, or electrical shock.**

Before you move your refrigerator or freezer into its final location, it is important to make sure you have the proper electrical connection.

### **Recommended Grounding Method**

A 115 Volt, 60 Hz., AC only, 15 or 20 amp fused, grounded electrical supply is required. It is recommended that a separate circuit serving only your refrigerator or freezer be provided. Use an outlet that cannot be turned off by a switch. Do not use an extension cord.

**NOTE:** Before performing any type of installation, cleaning, or removing a light bulb, press and hold TEMP SETTING for 3 seconds to turn off cooling, and then disconnect the refrigerator or freezer from the electrical source.

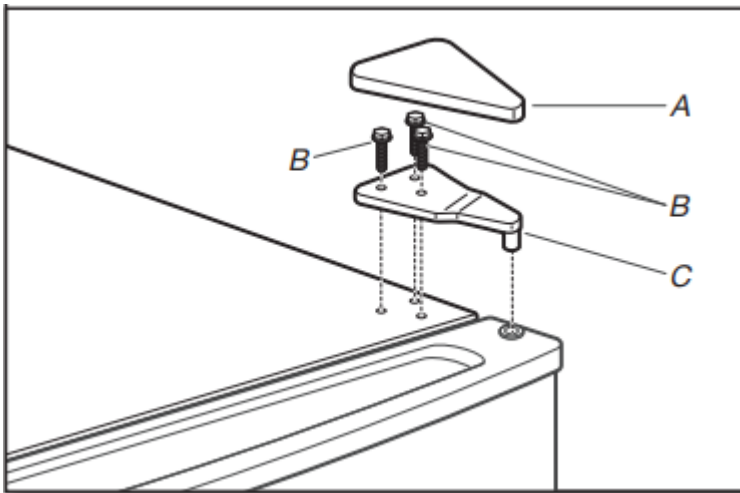
## Removing the Unit Door (optional)

**This unit comes from the factory with a right swing door. If desired, follow these steps to reverse to a left-swing door.**

### **IMPORTANT:**

- Depending on the width of the opening, you may need to remove the handle or door to move the unit into the house.
- All graphics referenced in the following instructions are included later in this section after the "Final Steps" section. The graphic may be reversed if the door swing is reversed.
- Before you begin, turn the control off, remove food, and adjust the door or utility bins from door

### **1. Remove Hinge Parts And Door**



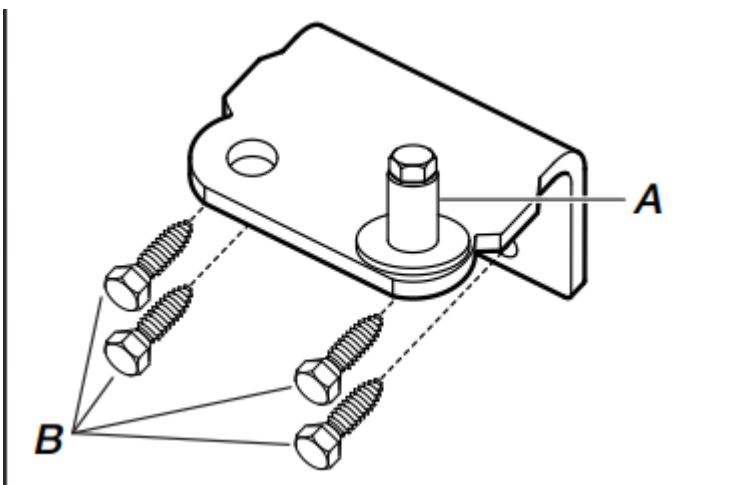
A. Top Hinge Cover

B. 5/16" Hex-Head Hinge Screws

C. Top Hinge

Unplug the refrigerator or freezer or disconnect the power. Keep the unit door closed until you are ready to lift it free from the cabinet. Remove the parts for the top hinge. Lift the unit door free from the lower hinge and cabinet and set aside.

## 2. Remove Bottom Hinge Parts



A. Hinge Pin

B. 3/8" Hex-Head Hinge Screws

Remove the four hex-head hinge screws and bottom hinge assembly.

**NOTE:** Provide additional support for the door while the hinges are being moved. Do not depend on the door magnets to hold the door in place while you are working.

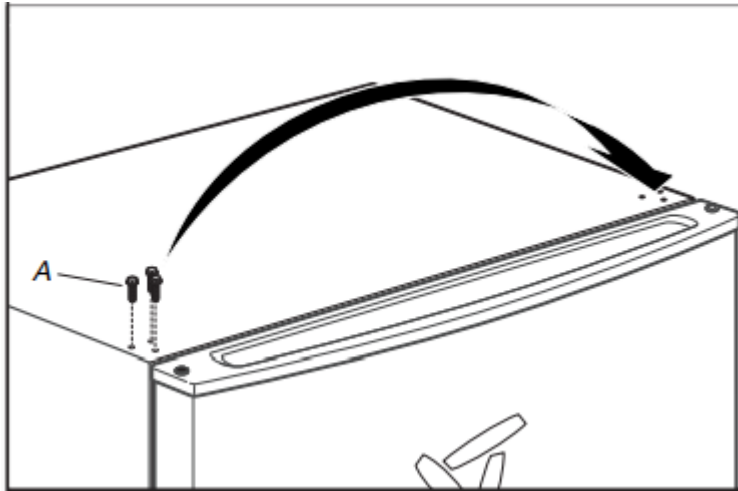
## Replacing the Unit Door (optional)

Replace the bottom hinge parts from step 2 onto the unit. Then replace the rest of the hinge parts and the door from step 1.

## Reversing the Unit Door (optional)

Refer to step 1 and 2 from the “Removing the Unit Door” section.

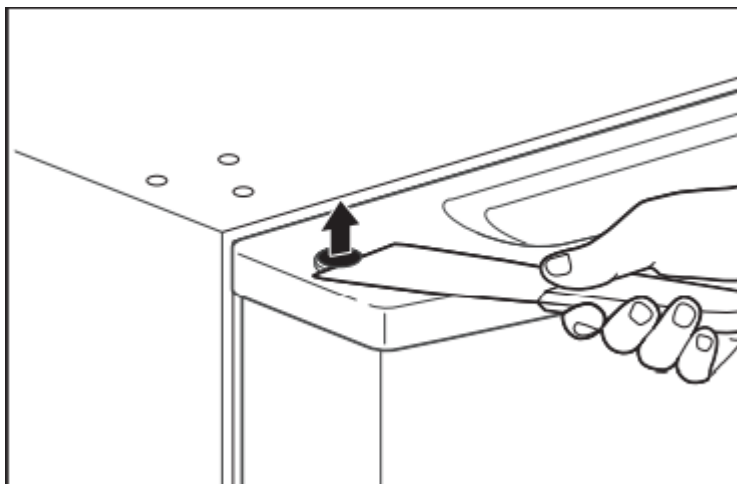
### 3. Remove Cabinet Hinge Hole Plugs



A. Cabinet Hinge Hole Plugs

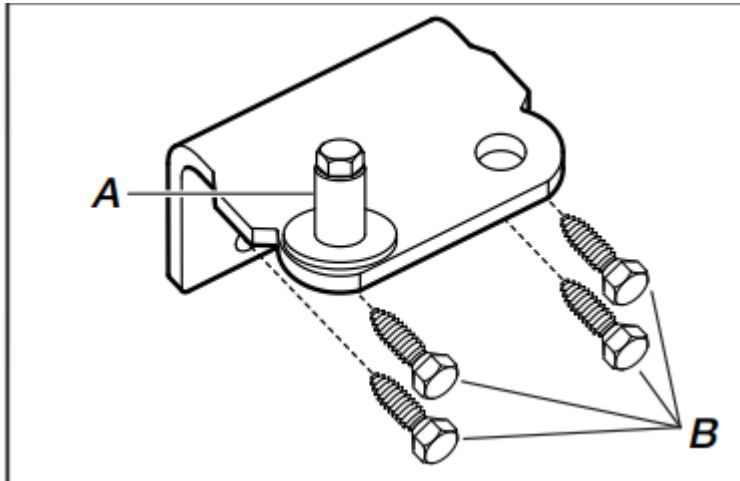
Using the putty knife, remove cabinet hinge hole plugs from the cabinet top and move them to the opposite side hinge holes. If one breaks, there are replacement parts in your literature kit.

### 4. Remove Door Hole Plugs



Using the putty knife, remove the door hole plugs from the door. Place the putty knife in between the black plug and clear base, and pry outwards, and place the plug in the hole on the opposite side of the door.

## 5. Replace Bottom Hinge



A. Bottom Hinge Pin

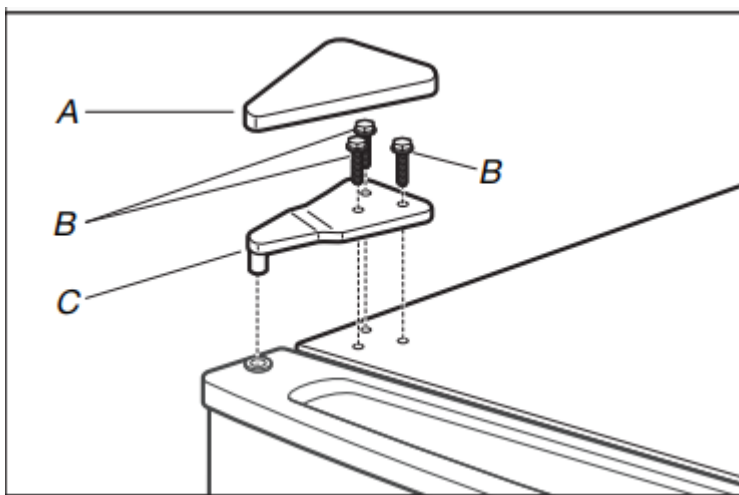
B. 3/8" Hex-Head Hinge Screws

Replace the four 3/8" hex head hinge screws on the opposite side, as shown, and tighten the screws.

**NOTE:** On the reversed door only, switch bottom hinge pin after the bracket side has been switched.

Using the 5/16" nut driver, switch the bottom hinge pin (A) to the opposite hole and tighten, as shown.

## 6. Replace Door And Top Hinge



A. Top Hinge Cover

B. 5/16" Hex-Head Hinge Screws

C. Top Hinge

Replace door on bottom hinge pin from previous step.

**NOTE:** Provide additional support for the door while the hinges are being moved. Do not depend on the door magnets to hold the door in place while you are working.

Assemble the parts of the top hinge as shown above. Tighten the screws completely.

Check all holes to make sure that the hole plugs and screws are in place. Reinstall the top hinge cover.

## Installing the Heavy Duty Casters and Silver Tread Foot Pedals

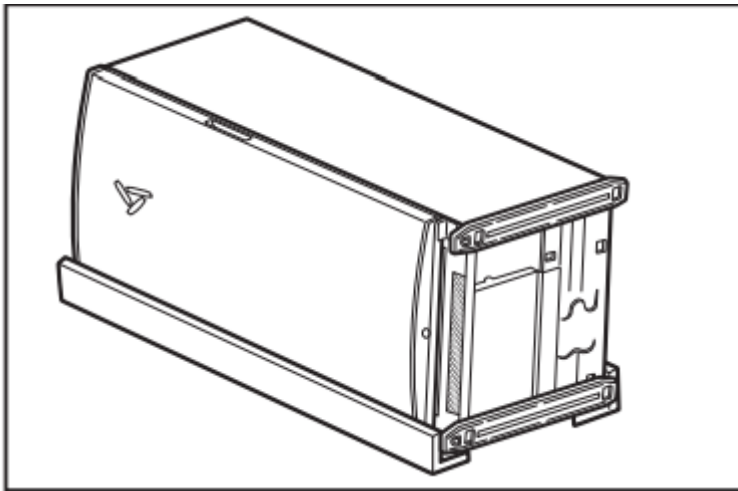
**NOTE:** Before installing the foot pedal, adjust the door swing direction, if desired.

**WARNING: Excessive Weight Hazard**

**Use two or more people to move and install refrigerator/freezer.**

**Failure to do so can result in back or other injury.**

### 1. Preparation

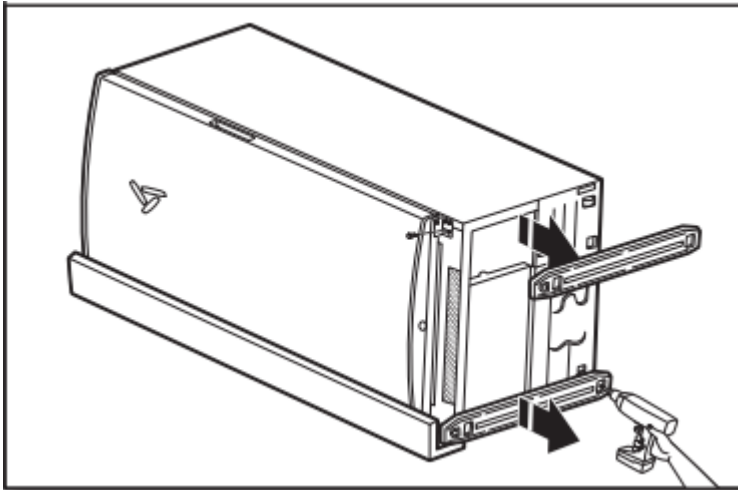


Replace the foam corner post on the non-hinged side, and then place the unit on its side on top of cardboard or other protective material. Make sure the door hinge is facing upward.

**IMPORTANT:** It is important that the door hinge face upward during the entire caster installation to make sure the door will not swing open during installation.

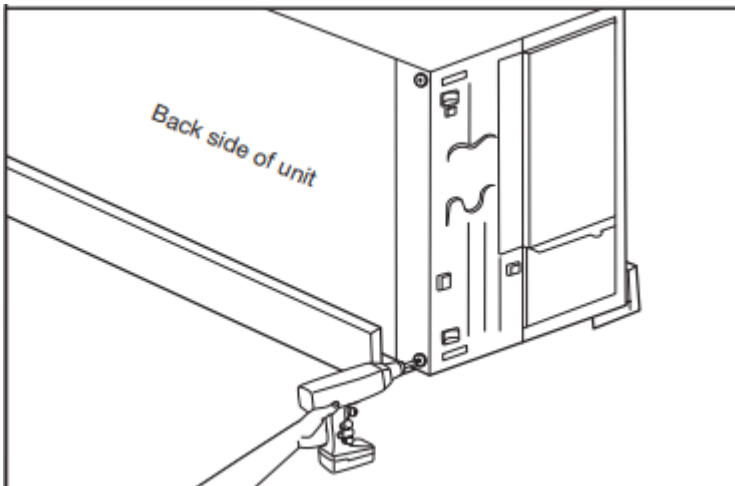
**NOTE:** If foam corner posts have been discarded, 2" x 4" boards may be used.

### 2. Remove Skid Bolts



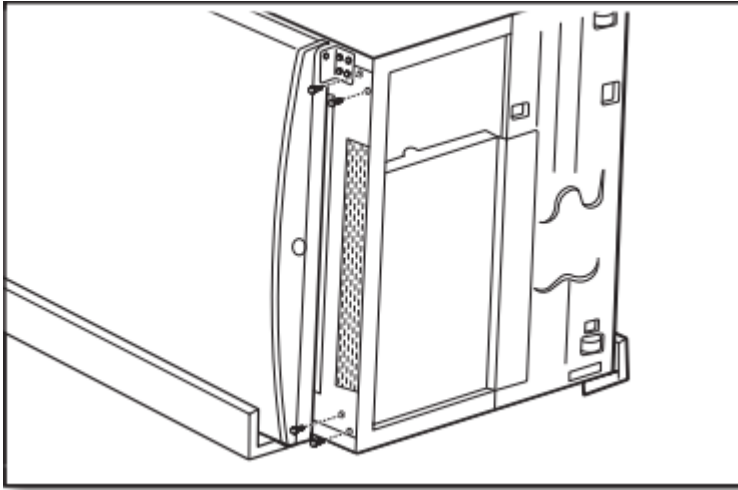
Using a 5/16" nut driver, remove the four skid bolts (two on each side) from the lower front and rear of the unit. Remove the skids.

### 3. Remove Rear Screws



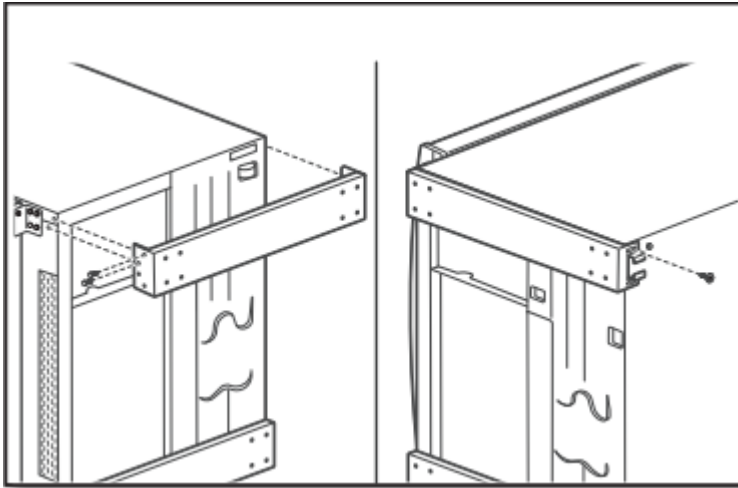
Break off the corners of the foam corner posts to gain access to the large caster bracket screws on the left and right rear of the unit. Remove the two rear caster bracket screws with a TORX® T40® screwdriver.

### 4. Remove Upper And Lower Hex-Head Bracket Screws



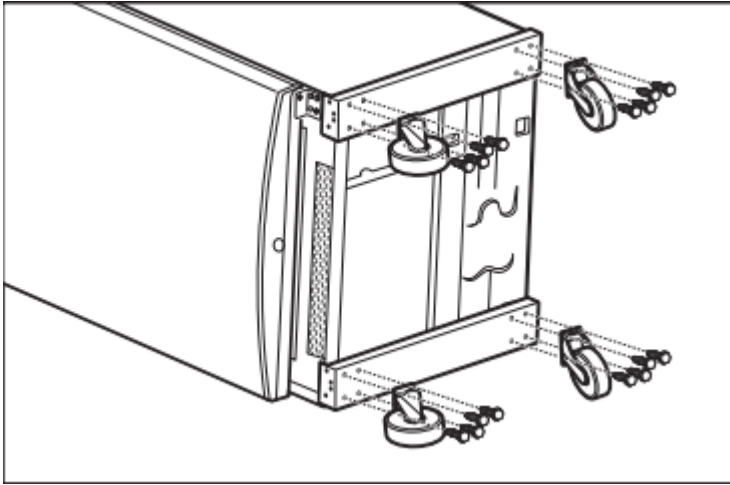
Remove the four 3/8" upper and lower hex-head bracket screws with a TORX® T25® screwdriver or 3/8" nut driver.

### 5. Install Caster Brackets



Align the right-hand caster brackets and drive in the rear bracket screws with the TORX® T40® screwdriver from step 3. Pushing the brackets against the bottom of the refrigerator or freezer, reinstall the upper and lower hex-head bolts with a TORX® T25® screwdriver or a 3/8" nut driver. Repeat on the left-hand side.

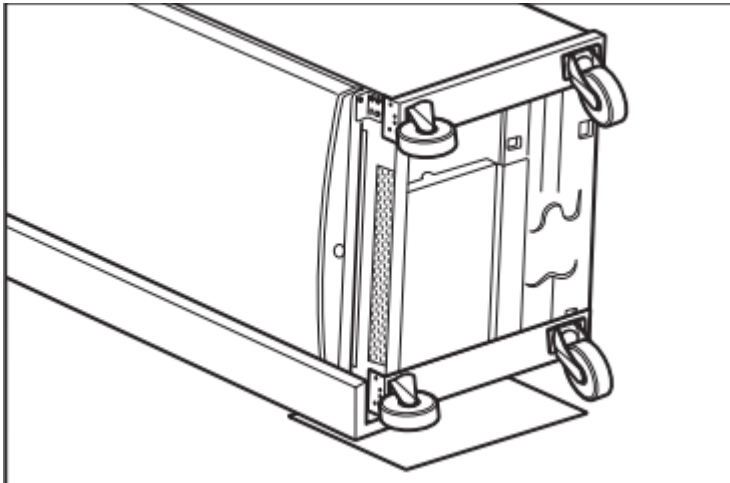
### 6. Attach Casters



Align a front caster (with a brake) with the holes in the caster bracket. Make sure that the brake faces the outside of the product. Insert and hand-tighten 1/2" caster bolts into each of the four caster bracket holes. Once all four caster bolts are installed, tighten the bolts with a 1/2" wrench or ratchet with an extender. Repeat installation with the other front caster (brake) and the two rear casters (no brake).

**Helpful Tip:** Rotate the caster to gain access to bolt locations.

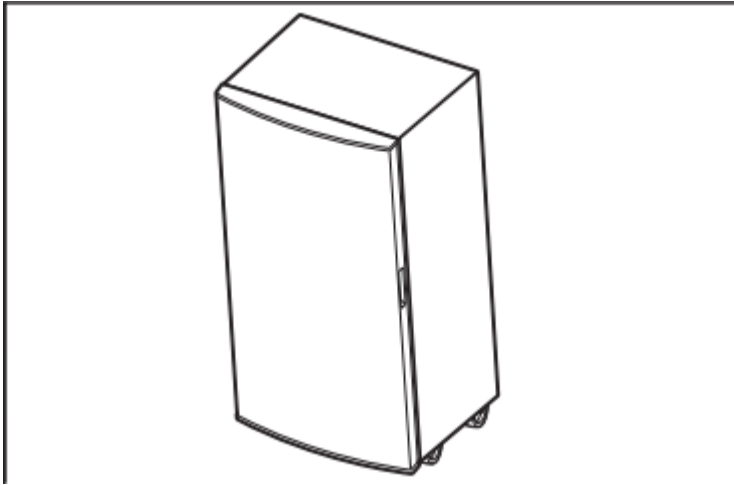
#### 7. Lock Front Casters



Lock the front casters and insert a small piece of cardboard between the caster brake and the floor. This will help prevent the brake from rubbing on the floor.

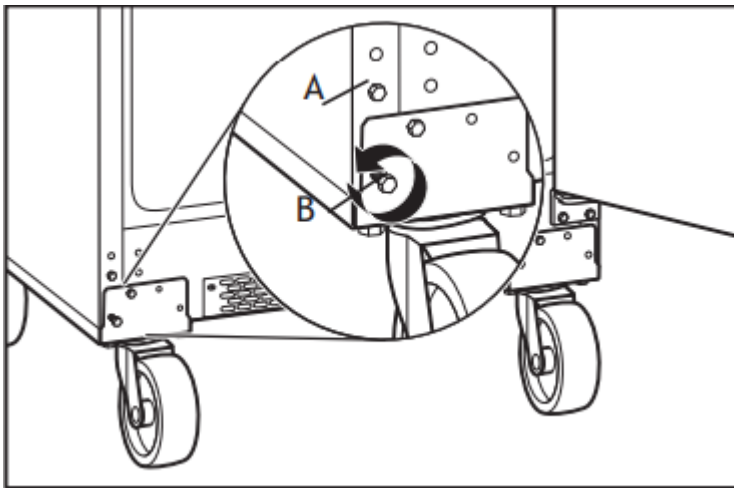
**NOTE:** Locking the casters will help prevent the refrigerator or freezer from moving while it is being lifted.

#### 8. Stand Unit Upright



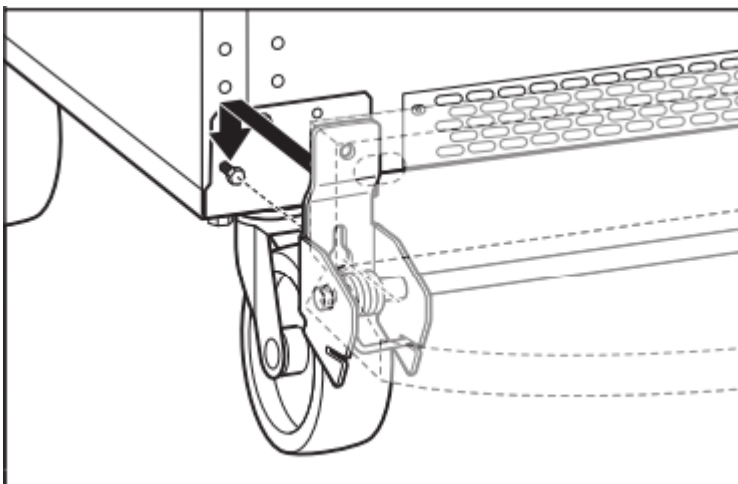
Stand the refrigerator or freezer upright.

### 9. Prepare For Foot Pedal Installation



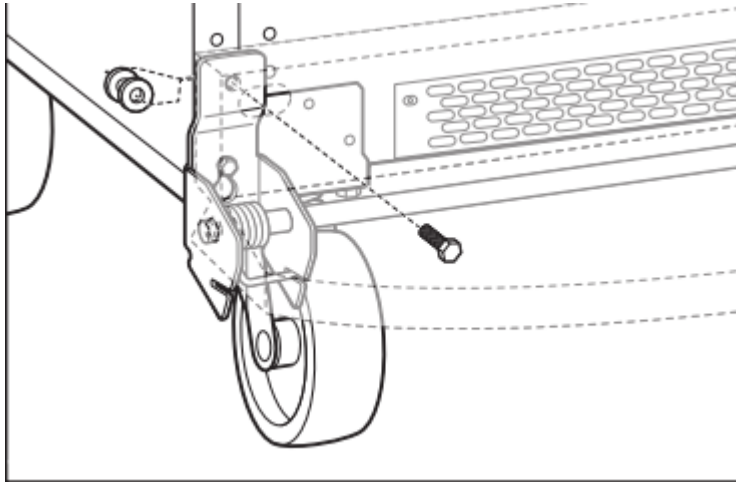
Open the product door for easier access to the foot pedal area. On both sides of the product, loosen the lower 3/8" hex-head bracket screw (B), exposing 1/4" of the thread, and fully withdraw the upper 3/8" hex-head foot pedal screw (A).

### 10. Align And Hang Foot Pedal



Align the circular parts of the foot pedal keyholes with the lower 3/8" hex-head bracket screws. Hang the pedal on the lower bracket screws. If the keyhole does not fully engage, loosen the bolt until engaged.

### 11. Reinstall The Foot Pedal Bolt



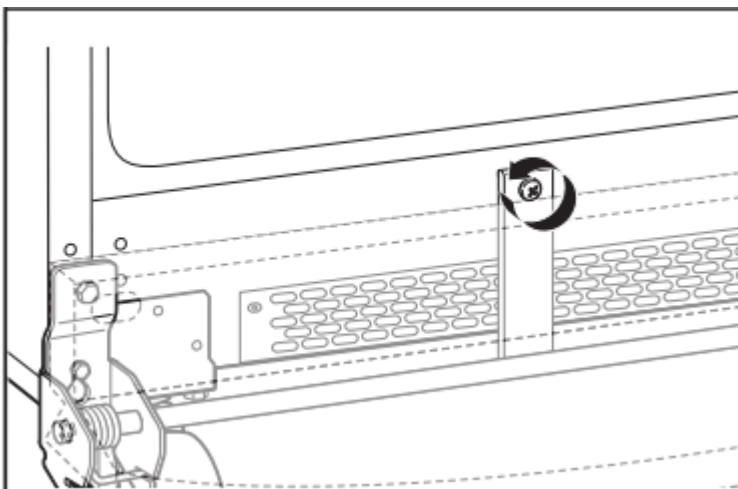
On the door hinge side, use a TORX® T25® screwdriver or a 3/8" nut driver to feed the screw through the pedal bracket mounting hole and tighten to the cabinet.

On the non-hinged side, use a TORX® T25® screwdriver or a 3/8" nut driver to feed the screw through the pedal bracket mounting hole and two spacers provided, and tighten to the cabinet.

**Helpful Tip:** If you are having trouble attaching the two spacers between the bracket and cabinet, tape the spacer to the back of the pedal bracket mounting hole with a strip of transparent tape before adding the screws.

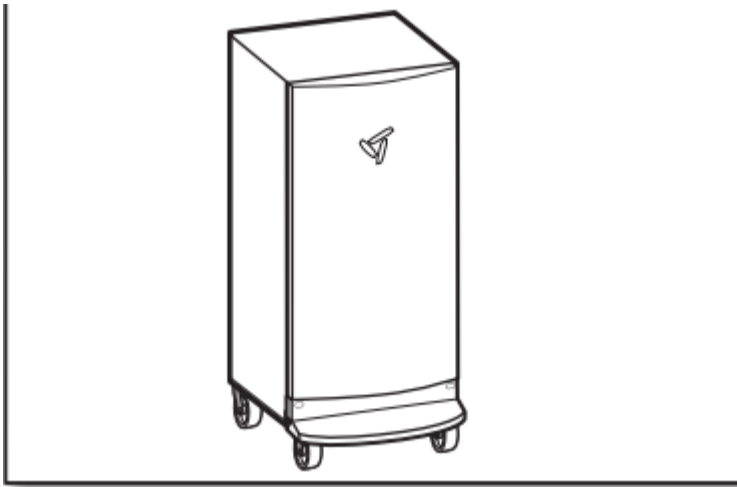
Tighten the second screw with a 3/8" wrench or 3/8" Ratchet wrench.

### 12. Adjust Actuator Screw If Desired



Use a Phillips screwdriver to make adjustments to the foot pedal actuator screw to adjust the foot pedal to your liking.

### 13. Place Unit In Final Location



#### **WARNING: Electrical Shock Hazard**

**Plug into a grounded 3 prong outlet.**

**Do not remove ground prong.**

**Do not use an adapter**

**Do not use an extension cord.**

**Failure to follow these instructions can result in death, fire, or electrical shock.**

Unlock the casters, roll the unit into the final position, and relock the casters. Plug the refrigerator or freezer into a 3 prong outlet.

**NOTE:** If installing your refrigerator or freezer on an unlevel floor, shims may be required to prevent the unit from rolling.

## **OPERATING YOUR REFRIGERATOR OR FREEZER**

### **Normal Sounds**

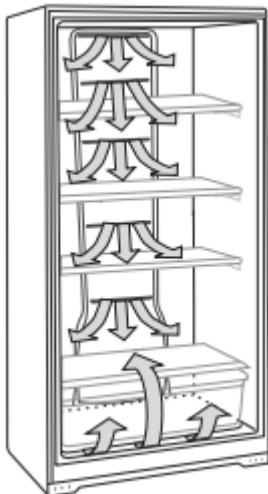
Your new refrigerator or freezer may make sounds that your old one did not make. You might be concerned about these sounds because they are new to you. Most of the new sounds are normal. Hard surfaces, like the floor, walls, and cabinets can make the sounds seem louder. The following describes the kinds of sounds and what may be making them.

- Your unit is designed to run more efficiently to keep your food items at the desired temperatures and to minimize energy usage. The high-efficiency compressor and fans may cause your unit to run longer than your old one. You may also hear a pulsating or high-pitched sound from the compressor or fans as they adjust to optimize performance.

- You may hear the evaporator fan motor circulating air through the refrigerator or freezer compartment. The fan speed may increase as you open the doors or add warm food.
- Rattling noises may come from the flow of refrigerant or items stored on top of the unit.
- Water dripping on the defrost heater during a defrost cycle may cause a sizzling sound.
- As each cycle ends, you may hear a gurgling sound due to the refrigerant flowing in your unit.
- Contraction and expansion of the inside walls may cause a popping noise.
- You may hear air being forced over the condenser by the condenser fan.
- You may hear water running into the drain pan during the defrost cycle.

## Ensuring Proper Air Circulation

In order to ensure proper temperature, you need to permit proper airflow in the refrigerator or freezer. As shown in the illustration, cool air enters from the unit wall and moves down. The air then recirculates through the vent near the bottom.



Do not block any of these vents with food packages. If the vents are blocked, airflow will be restricted, and temperature and moisture problems may occur.

**IMPORTANT:** To avoid odor transfer and drying out of food, wrap or cover foods tightly.

## Using the Refrigerator Control

The temperature control is located at the top front of the refrigerator compartment.

### Temperature Control

When you first install your refrigerator, check that the control is set to the temperature that is desired for your food items.



There are three pre-set temperature buttons to choose from on your refrigerator:

- Party: Sets refrigerator temperature at a level suitable for temporary loading of party platters or cold appetizers.
- Assorted: Multi-purpose setting accommodates a variety of refrigerated items.
- Beverage: Holds refrigerator at a lower temperature to keep beverages extra cold.

#### **IMPORTANT:**

- The Assorted setting is designed to maintain the temperature at or near 37°F (3°C) under normal operating conditions.
- Wait 24 hours before you put food into the refrigerator. If you add food before the refrigerator has cooled completely, your food may spoil.

**NOTE:** Adjusting the temperature set point to a colder than recommended setting will not cool the refrigerator any faster.

- If the temperature is too warm or too cold in the refrigerator, first check the air vents to be sure they are not blocked before adjusting the control.
- The control is set correctly when milk or juice is as cold as you like, but the Assorted setting should be correct for normal household usage.
- When the refrigerator is first started, the compressor will run constantly until the refrigerator is cooled. It may take up to 6 or 8 hours (or longer), depending on room temperature and the number of times the refrigerator door is opened. After the refrigerator is cooled, the compressor will turn on and off as needed to keep the refrigerator at the proper temperature.
- The outside of your refrigerator may feel warm. This is normal. The refrigerator's design and main function is to remove heat from packages and air space inside the refrigerator. The heat is transferred to the room air, making the outside of the refrigerator feel warm.

#### **Adjusting Control**

If you need to adjust the temperature in the refrigerator compartment, press TEMP SETTING to display the desired temperature setting. Choose from Party, Assorted, or Beverage.

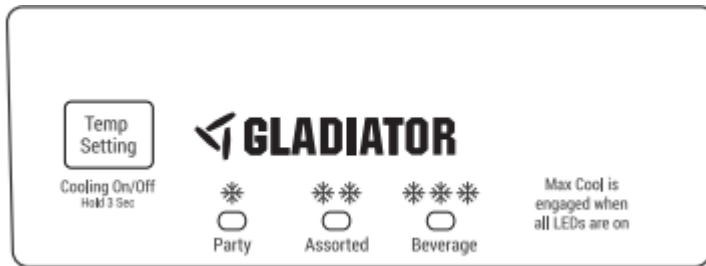


**NOTE:** When adjusting the control to a different setting, wait 24 hours between adjustments for the temperature to stabilize.

### Cooling On/Off

Your refrigerator will not cool when cooling is turned off.

To turn cooling off, press and hold TEMP SETTING for 3 seconds. In the Off position, none of the lights on the control panel will be illuminated. The main refrigerator light bulb will still operate.



To turn cooling on, press and hold TEMP SETTING for 3 seconds. When cooling is on, the control panel lights will be illuminated.

### Max Cool

Use this feature to assist with periods of high refrigerator use, such as full grocery loads or temporarily warm room temperature.



To activate Max Cool, press TEMP SETTING until all the snowflake icons are illuminated simultaneously.

The refrigerator will remain in the Max Cool setting for 24 hours after the extra-low temperature is reached. Once the time has expired, the refrigerator will return to the previous temperature setting. Max Cool may be manually turned off by pressing Temp Setting to

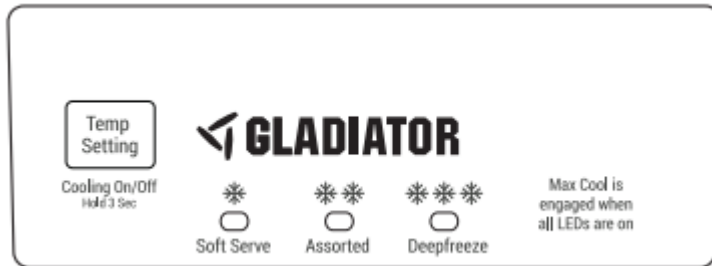
select the desired temperature setting from the snowflake on the left (least cold) to the snowflake on the right (coldest).

## Using the Freezer Control

The temperature control is located at the top front of the freezer compartment.

### Temperature Control

When you first install your refrigerator, check that the control is set to the temperature that is desired for your food items.



There are three pre-set temperature buttons to choose from on your freezer:

- Soft Serve: Raises freezer temperature slightly to create optimal conditions for serving ice cream.
- Assorted: Multi-purpose setting accommodates a variety of frozen items.
- DeepFreeze: Lowers freezer temperature for longer-term storage of frozen items.

### IMPORTANT:

- The Assorted setting is designed to maintain the temperature at or near 0°F (-18°C) under normal operating conditions.
- Wait 24 hours before you put food into the freezer. If you add food before the freezer has cooled completely, your food may spoil.

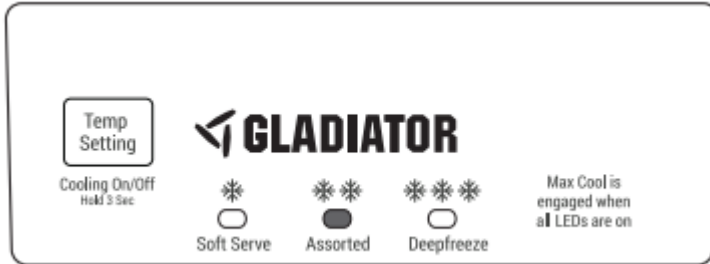
**NOTE:** Adjusting the temperature set point to a colder than recommended setting will not cool the freezer any faster.

- If the temperature is too warm or too cold in the freezer, first check the air vents to be sure they are not blocked before adjusting the control.
- The Assorted setting should be correct for normal household usage. The control is set correctly when ice cream is firm.
- When the freezer is first started, the compressor will run constantly until the freezer is cooled. It may take up to 6 or 8 hours (or longer), depending on room temperature and the number of times the freezer door is opened. After the freezer is cooled, the compressor will turn on and off as needed to keep the freezer at the proper temperature.

- The outside of your freezer may feel warm. This is normal. The freezer’s design and main function is to remove heat from packages and air space inside the freezer. The heat is transferred to the room air, making the outside of the freezer feel warm.

### Adjusting Control

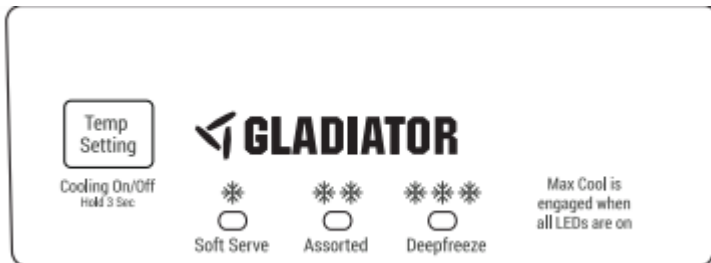
If you need to adjust the temperature in the freezer compartment, press TEMP SETTING to display the desired temperature setting. Choose from Soft Serve, Assorted, and Deepfreeze.



**NOTE:** When adjusting the control to a different setting, wait 24 hours between adjustments for the temperature to stabilize.

### Cooling On/Off

Your freezer will not cool when cooling is turned off. To turn cooling off, press and hold TEMP SETTING for 3 seconds. In the Off position, none of the lights on the control panel will be illuminated. The main freezer light bulb will still operate.



To turn cooling on, press and hold TEMP SETTING for 3 seconds. When cooling is on, the control panel lights will be illuminated.

### Max Cool

Use this feature to assist with periods of high freezer use, such as full grocery loads or temporarily warm room temperature.



To activate Max Cool, press TEMP SETTING until all the snowflake icons are illuminated simultaneously.

The freezer will remain in the Max Cool setting for 24 hours after the extra-low temperature is reached. Once the time has expired, the freezer will return to the previous temperature setting. Max Cool may be manually turned off by pressing Temp Setting to select the desired temperature setting from the snowflake on the left (least cold) to the snowflake on the right (coldest).

## CARING FOR YOUR REFRIGERATOR OR FREEZER

### Registering Your Unit

There are many benefits of registering your product. Find out more and register your product online at [www.gladiatorgarageworks.com](http://www.gladiatorgarageworks.com). Consumers in Canada can call:

**1-800-807-6777**. Your product's model and serial numbers can be located on the serial sticker inside your unit.

### Refrigerator and Freezer Features

#### Refrigerator and Freezer Shelves

The refrigerator will come with two deep, extra-thick glass shelves and one shallow solid metal shelf. Your freezer will come with two deep, heavy gauge wire shelves and one shallow heavy gauge wire shelf.

Store similar foods together and adjust the shelves to fit different heights. This reduces the time the refrigerator door is open and saves energy.

#### To Remove and Replace a Shelf:

1. Remove the shelf by lifting straight up, and pulling the shelf out.
2. Replace the shelf by lowering the shelf onto the supports on the side walls.

#### Half-Width and Full-Width Gallon Door Bins

##### To Remove and Replace a Bin:

1. Remove the bin by tipping the front of the bin forward and sliding out.
2. Replace the bin by sliding it in above the desired support, and then tilting it back into place.

#### Heavy Gauge Wire Baskets

The slide-out basket provides separate storage space for items that are difficult to store on freezer shelves. To remove the basket, pull out and lift up.

### To Remove and Replace the Basket:

1. Remove the basket by tipping the front of the basket forward and sliding out.
2. Replace the basket by sliding it in above the desired support, and then tilting it back into place.

### Pizza Zone (Freezer only)

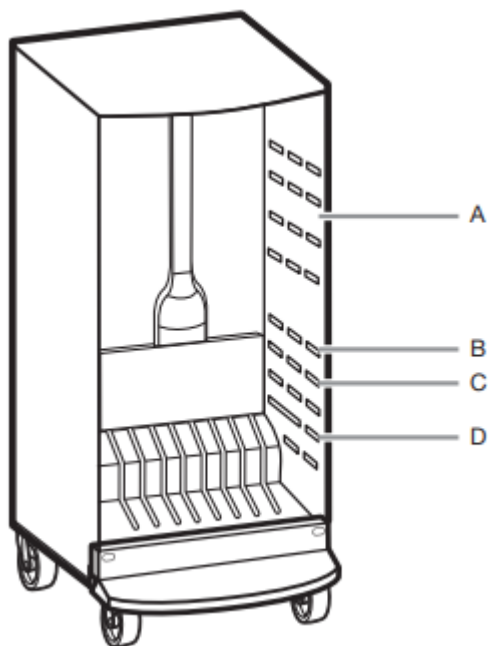
#### To Remove and Replace the Gate:

1. Remove the gate by lifting the top of the gate up and out of the supports.
2. Replace the gate to original position by lowering it into the supports.

### Silver Tread Door Bin (Refrigerator only)

#### To Remove and Replace the Bin:

1. Remove the bin by lifting the top of the gate up and out of the supports.
2. Replace the bin to original position by lowering it into the supports.



- A. Deep extra thick glass or deep heavy gauge wire shelves
- B. Shallow solid metal shelf or shallow heavy gauge wire shelf
- C. Short heavy gauge wire basket
- D. Tall heavy gauge wire basket

### Cleaning Your Refrigerator or Auto-Defrosting Freezer

#### WARNING: Explosion Hazard

Use nonflammable cleaner

**Failure to do so can result in death, explosion, or fire.**

Clean the refrigerator or freezer about once a month to keep odors from building up. Wipe up spills immediately.

**To Clean Your Refrigerator or Freezer:**

1. Press and hold TEMP SETTING for 3 seconds to turn off cooling.
2. Unplug the refrigerator or freezer or disconnect power
3. Remove all removable parts from inside, such as shelves, crispers, etc.
4. Hand wash, rinse, and dry removable parts and interior surfaces thoroughly. Use a clean sponge or soft cloth and a mild detergent in warm water.
  - Do not use abrasive or harsh cleaners such as window sprays, scouring cleansers, flammable fluids, cleaning waxes, concentrated detergents, bleaches, or cleansers containing petroleum products on plastic parts, interior and door liners or gaskets. Do not use paper towels, scouring pads, or other harsh cleaning tools. These can scratch or damage materials.
  - To help remove odors, you can wash interior walls with a mixture of warm water and baking soda (2 tbs to 1 qt [26 g to 0.95 L] of water).
5. Replace removable parts.
6. Use the appropriate cleaning method for your exterior finish.

**Painted Metal:** Wash exterior door with a microfiber cloth and a mild detergent in warm water. For all other exterior surfaces, wash with a clean sponge or soft cloth and a mild detergent in warm water. Do not use abrasive or harsh cleaners or cleaners designed for stainless steel. Dry thoroughly with a soft cloth.
7. Clean the condenser coils regularly. Coils may need to be cleaned as often as every other month. This may help save energy.
  - Open the refrigerator or freezer door and remove the base grille by removing two Phillips head screws and pulling the grille toward you.
  - Use a vacuum with an extended attachment to clean the condenser coils when they are dusty or dirty.
  - Replace the base grille by aligning the ends of the grille with the leveling assemblies on each side and snapping the grille into place. Reinstall the screws.
8. Plug in the refrigerator or freezer or reconnect the power.
9. Set the temperature control to desired setting. See the “Using the Controls” sections.

**Auto Defrost Freezer**



Auto-defrost means that you will not have to defrost your freezer. Frost is removed by air moving and collecting any moisture and depositing it on the cooling coil. The cooling coil periodically warms up enough to melt the frost, and it then flows down to the drain pan (located behind the base grille) where it is evaporated.

## Changing the Light Bulb

**NOTE:** Not all appliance bulbs will fit your refrigerator or freezer. Be sure to replace the bulb with an appliance bulb of the same size, shape, and wattage.

1. Unplug the refrigerator or freezer or disconnect the power.
2. Remove the light shield by squeezing the lens from the sides, pushing back and pulling down. Replace bulb with a maximum 40 watt appliance bulb or an LED bulb rated for wet/damp locations.

**NOTE:** Some LED replacement light bulbs are not recommended for wet/damp environments. Refrigerator fresh food and freezer compartments are considered wet/damp environments. Read and follow all instructions on the LED packaging when replacing the factory-installed LED bulb. A replacement LED bulb can be purchased from an authorized dealer.

3. Replace the light shield.
4. Plug in the refrigerator or freezer or reconnect the power.

## Power Interruptions

If the power will be out for 24 hours or less, keep the door closed to help food stay cold and frozen.

If the power will be out for more than 24 hours, consume or can perishable food at once.

**REMEMBER:** If the condition of the food is poor, dispose of it.

## Vacation and Moving Care

### Vacations

If you choose to leave the refrigerator or freezer on while you're away, use up any perishables and freeze other items.

If you choose to turn the refrigerator or freezer off before you leave, follow these steps:

1. Remove all food from the refrigerator or freezer.
2. Turn the control to the off position. See the "Using the Controls" section.
3. Clean the refrigerator or freezer, wipe it, and dry well.
4. Tape rubber or wood blocks to the tops of both doors to prop them open far enough for air to get in. This stops odor and mold from building up.

## Moving

When you are moving your refrigerator or freezer to a new home, follow these steps to prepare it for the move.

1. Remove all food from the refrigerator or freezer.
2. Turn the control to the off position. See the “Using the Controls” section.
3. Unplug the refrigerator or freezer.
4. Empty water from the defrost pan.
5. Clean, wipe, and dry thoroughly.
6. Take out all removable parts, wrap them well, and tape them together so they don't shift and rattle during the move.
7. Tape the doors shut and tape the power cord to the unit cabinet.
8. Unlock the casters to roll away the unit.

When you get to your new home, put everything back and refer to the “Installing Your Refrigerator or Freezer” section for preparation instructions.

## TROUBLESHOOTING

First try the solutions suggested here. If you need further assistance or more recommendations that may help you avoid a service call, refer to the warranty page in this manual and scan the code there with your mobile device, or visit [www.whirlpool.com/product\\_help](http://www.whirlpool.com/product_help) for recommendations that may help you avoid a service call. In Canada, visit <http://www.whirlpool.ca>.

Contact us by mail with any questions or concerns at the address below:

In the U.S.A.:

Whirlpool Brand Home Appliances  
Customer eXperience Center  
553 Benson Road  
Benton Harbor, MI 49022-2692

In Canada:

Whirlpool Brand Home Appliances  
Customer eXperience Centre  
200 – 6750 Century Ave.  
Mississauga ON L5N 0B7

Please include a daytime phone number in your correspondence.

## **Refrigerator Operation**

### **WARNING: Electrical Shock Hazard**

**Plug into a grounded 3 prong outlet.**

**Do not remove ground prong.**

**Do not use an adapter**

**Do not use an extension cord.**

**Failure to follow these instructions can result in death, fire, or electrical shock.**

### **WARNING: Explosion Hazard**

**Use nonflammable cleaner**

**Failure to do so can result in death, explosion, or fire.**

PROBLEM	RECOMMENDED SOLUTIONS
<b>Refrigerator Will Not Operate</b>	<p>Check that it is plugged into a grounded 3 prong outlet.</p> <p>Check that the temperature control is turned on.</p> <p>Check that the refrigerator is not running an automatic defrost cycle.</p> <p>Replace the fuse or reset the circuit breaker.</p> <p><b>NOTE:</b> If problems continue, contact an electrician</p>
<b>Lights Do Not Work</b>	<p>Check that it is plugged into a grounded 3 prong outlet.</p> <p>Check that the light bulb is tight in the socket and is not burned out</p>
<b>Water in Defrost Drain Pan</b>	<p>It is normal for water to drip into the defrost drain pan when refrigerator is defrosting.</p> <p>When humidity is high, it is normal for water in the defrost pan to take longer to evaporate.</p>
<b>Motor Seems to Run Too Much</b>	<p>Check that the door closes properly.</p> <p>Adding a large amount of food warms the refrigerator, causing the unit to run longer to cool back down. If this is the situation, wait approximately 6 to 8 hours to allow the refrigerator to reach the correct temperature.</p> <p>Get all needed items out at one time, keep food organized, and close the door as soon as possible.</p> <p>Check that the condenser coils are clean.</p> <p>Check that space around refrigerator meets air circulation requirements. See the “Location Requirements” section.</p> <p>Warmer than normal room temperature will cause the motor to run longer.</p> <p><b>NOTE:</b> If none of the above is true, your new refrigerator will run longer than your old one due to its high-efficiency motor.</p>
<b>Temperature is Too Warm</b>	<p>Check that air vents are clear. See the “Ensuring Proper Air Circulation” section for air vent locations.</p>



	<p>Get all needed items out at one time, keep food organized, and close the door as soon as possible.</p> <p>Adding a large amount of food warms the refrigerator, causing the refrigerator to run longer to cool back down.</p> <p>Check that the temperature control is set correctly for surrounding conditions</p>
<p><b>The Door Will Not Close Completely or Is Difficult To Open</b></p>	<p>Check that there are no food packages blocking the door.</p> <p>On some models, check that the crisper covers, pans, shelves, bins, and baskets are in the correct position.</p> <p>Check that gaskets are clean. See the “Caring for Your Refrigerator or Freezer” section.</p> <p>Check that the refrigerator is stable.</p>
<p><b>Noisy</b></p>	<p>The sounds may be normal. See the “Normal Sounds” section</p>
<p><b>Refrigerator Makes Loud Buzzing/ Clicking Sound</b></p>	<p>Adding a large amount of food warms the refrigerator. It can take several hours for the refrigerator to return to normal temperature.</p>

## Freezer Operation

### **WARNING: Electrical Shock Hazard**

**Plug into a grounded 3 prong outlet.**

**Do not remove ground prong.**

**Do not use an adapter**

**Do not use an extension cord.**

**Failure to follow these instructions can result in death, fire, or electrical shock.**

### **WARNING: Explosion Hazard**

**Use nonflammable cleaner**

**Failure to do so can result in death, explosion, or fire.**

PROBLEM	RECOMMENDED SOLUTIONS
<p><b>Freezer Will Not Operate</b></p>	<p>Check that it is plugged into a grounded 3 prong outlet.</p> <p>Check that the temperature control is turned on.</p> <p>Check that the freezer is not running an Automatic Defrost cycle.</p> <p>Replace the fuse or reset the circuit breaker.</p> <p><b>NOTE:</b> If problems continue, contact an electrician.</p>
<p><b>Lights Do Not Work</b></p>	<p>Check that it is plugged into a grounded 3 prong outlet.</p> <p>Check that the light bulb is tight in the socket and is not burned out.</p>
<p><b>Water in Defrost Drain Pan</b></p>	<p>It is normal for water to drip into the defrost drain pan when the freezer is defrosting.</p> <p>When humidity is high, it is normal for water in the defrost pan to take longer to evaporate.</p>
<p><b>Motor Seems to Run Too Much</b></p>	<p>Check that the door closes properly.</p> <p>Defrost and clean the freezer to remove excessive frost.</p> <p>Adding a large amount of food warms the freezer, causing the freezer to run longer to cool back down. If this is the situation, wait approximately 6 to 8 hours to allow the freezer to reach the correct temperature.</p> <p>Get all needed items out at one time, keep food organized, and close the door as soon as possible.</p> <p>Check that the condenser coils are clean.</p> <p>Check that the door gasket is sealed all the way around. If not, contact a qualified technician.</p> <p>Check that space around freezer meets air circulation requirements. See the “Location Requirements” section.</p> <p><b>NOTE:</b> If none of the above is true, your new freezer will run longer than your old one due to its high-efficiency motor</p>



<p><b>Temperature Is Too Warm</b></p>	<p>Check that air vents are clear. See the “Ensuring Proper Air Circulation” section for air vent locations.</p> <p>Get all needed items out at one time, keep food organized, and close the door as soon as possible.</p> <p>Adding a large amount of food warms the freezer, causing the freezer to run longer to cool back down.</p> <p>Check that the temperature control is set correctly for surrounding conditions.</p>
<p><b>The Door Will Not Close Completely or Is Difficult to Open</b></p>	<p>Check that there are no food packages blocking the door.</p> <p>On some models, check that the shelves and baskets are in the correct position.</p> <p>Check that gaskets are clean. See the “Caring for Your Refrigerator or Freezer” section.</p> <p>Check that the freezer is stable.</p>
<p><b>Freezer Makes Loud Buzzing/ Clicking Sound</b></p>	<p>Adding a large amount of food warms the freezer. It can take several hours for the freezer to return to normal temperature.</p>

**Warning**

This content is compiled from multiple sources and is provided for reference purposes only. It may not be complete or fully applicable to all situations. If you are unable to resolve your issue, please contact the product manufacturer or an authorized service provider for official support.

