

## QUICK START



1. INSERT HANDLE WAND INTO TOP OF VAC. SECURE YOUR HOSE HERE.



2. NOW, WRAP THE CORD AROUND CORD HOOKS! \*



3. PUSH HERE AND PULL HANDLE BACKWARDS TO RECLINE.

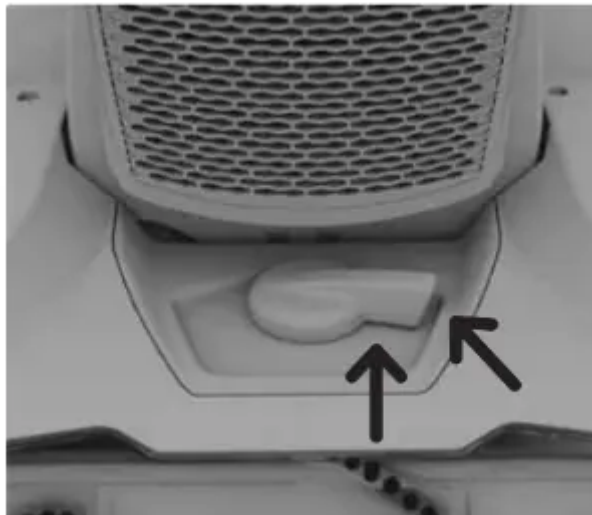


4. PLUG IN THE CORD AND PRESS HERE TO POWER UP.

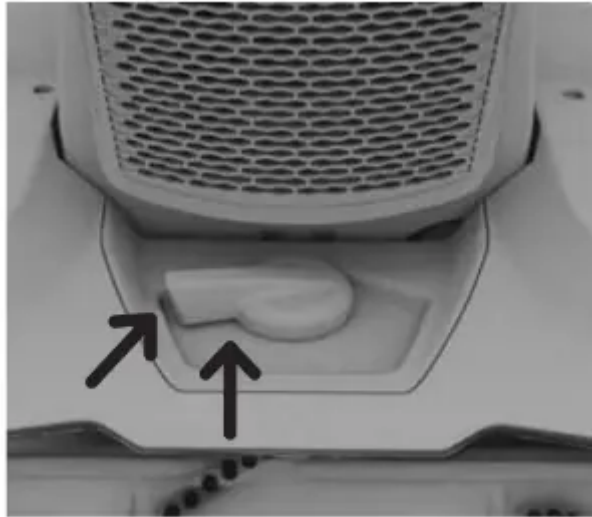
## HEIGHT ADJUST

THE FOLLOWING HEIGHT SETTINGS ARE RECOMMENDED FOR MAXIMUM CLEANING PERFORMANCE.

1. Low Settings - Two Positions: Great for tile, hardwood, linoleum and low pile carpets.



2. High Settings - Two Positions: Great for plush and shag carpets.



### **CORD RELEASE AND STORAGE**

- Prior to using, grasp the end of the plug and pull to release the cord from the cord reel until red tape is reached.



- To return cord for storage, hold plug and press down Cord Release Pedal on side of cord reel.



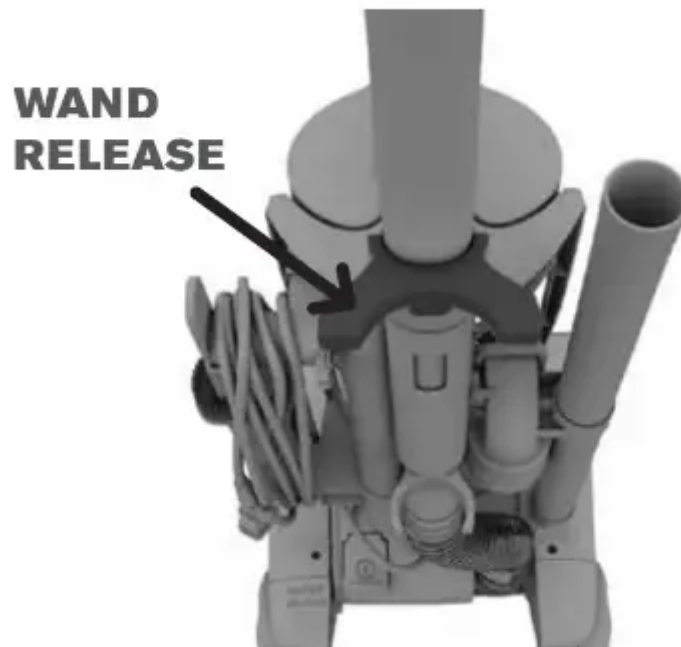
**IMPORTANT:** When pulling on the cord, yellow tape will identify when the cord is almost fully extended. When red tape is visible on the cord, the cord has reached its full length. (Do not pull the cord past the red tape.)

**WARNING:** Hold plug when rewinding onto cord reel. Do not allow plug to whip when rewinding.

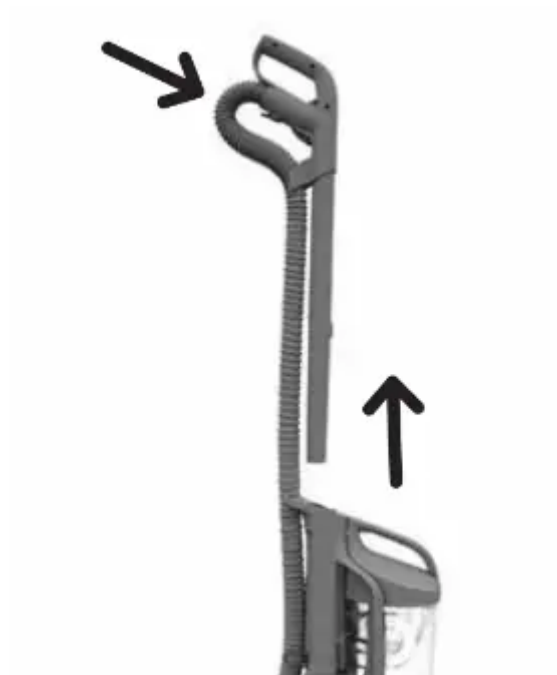
## TOOLS

### QUICK RELEASE CLEANING WAND

1. Press the wand release button.



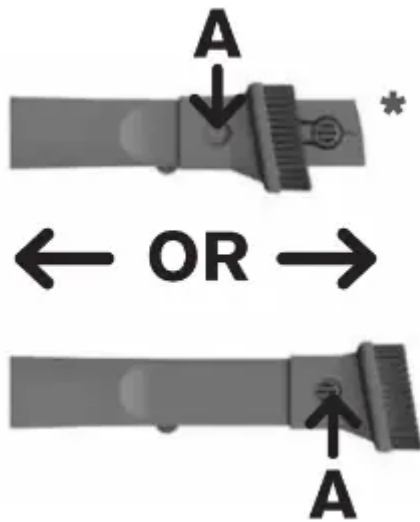
2. Pull wand up & out and insert hose to wand.



3. Push the tools on the wand\* for convenient cleaning. When you're done, twist & pull to take them off.



### COMPLETE ON-BOARD TOOLKIT



- **2-IN-1 COMBO TOOL:** Use the Crevice Tool for tight spaces, corners and along stair edges and baseboards. Try the Dusting Brush for furniture, table tops, lamps, blinds and more. Press the lock button (A) down and slide to switch between modes.





- **TURBO TOOL®:** For upholstered furniture, draperies, mattresses and stairs.



- **EXTENSION WAND:** Attach to cleaning wand for longer reach on above and hard floor cleaning.

### **ABOVE FLOOR CLEANING**

1. Remove Quick Release Cleaning Handle Wand for convenient above floor cleaning.
2. Insert hose into handle wand.
3. Attach extension wand and 2-in-1 tool for improved cleaning.



**CAUTION:** Use extra care when cleaning on stairs. To avoid personal injury or damage, and to prevent the cleaner from falling, always place cleaner at bottom of stairs or on floor. Do not place cleaner on stairs or furniture, as it may result in injury or damage. When using tools, always ensure handle is in upright position.

## HOW TO

### EMPTY THE DIRT CUP

**WARNING:** To reduce the risk of personal injury - Unplug before cleaning or servicing. Do not use vacuum without dirt cup or filters in place.

1. Dump the dirt when it's full.

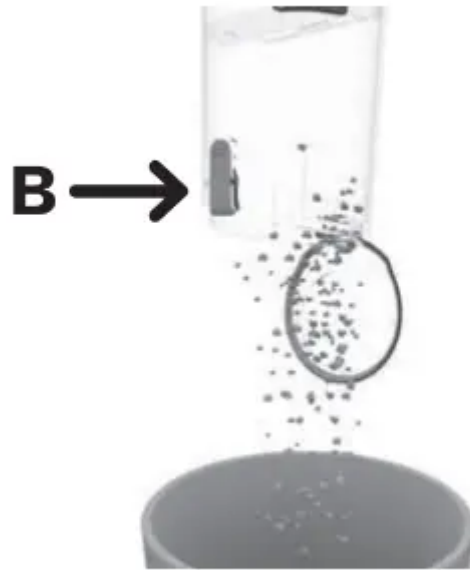


2. Push the release button (A) then pull out the dirt cup.



*This would be a good point to check the condition of your filter. Dirty? Check out page 13 for cleaning steps.*

3. Now ditch the dirt by pushing the lower button (B). Give it a wipe to remove dust.



4. Place back in bottom first. Push the top of the cup against the back panel and it'll click into place.



## **CLEAN THE RINSABLE FILTER**

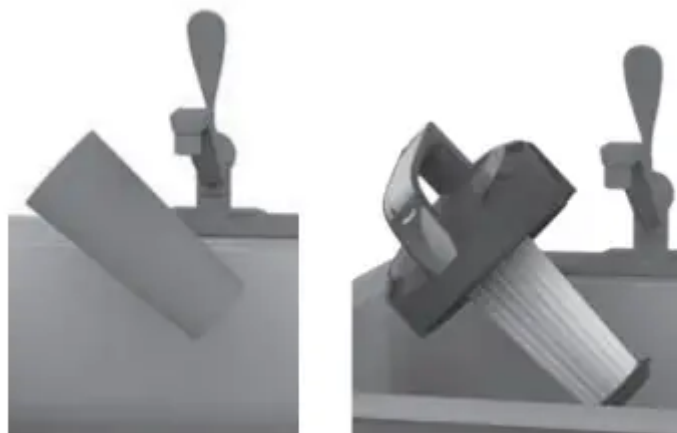
1. Remove the dirt cup. Twist the handle to remove the top from the dirt cup. Gently remove the filter from the the handle.



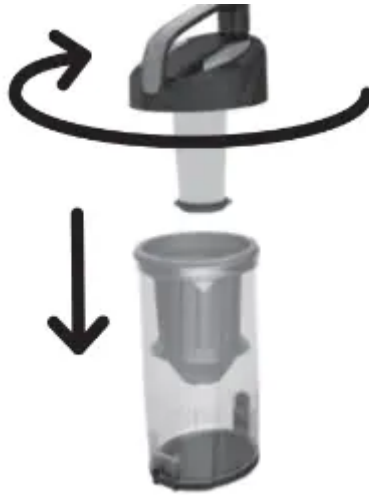
2. Tap clean into a trashcan.



3. All pieces are rinsable. Allow to dry 24 hours before using.



4. **TWIST** the filter back into the handle, place the handle back on the dirt cup and twist to close. Replace the dirt cup into the vacuum.



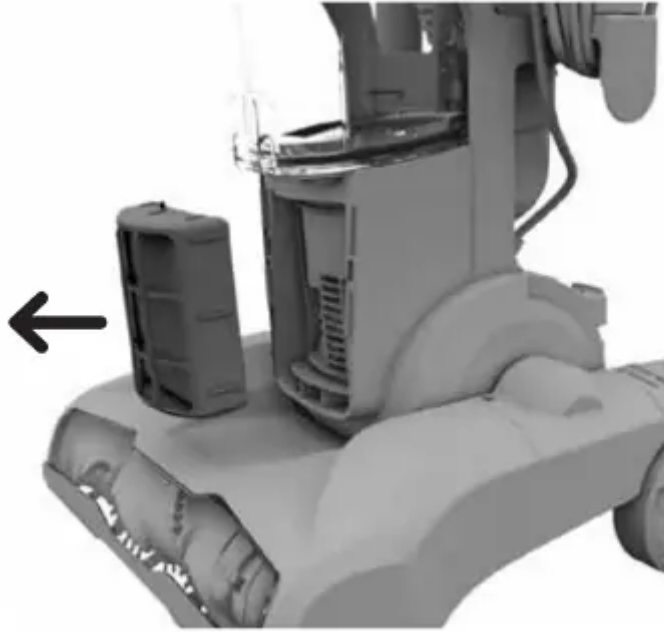
### **CLEAN THE EXHAUST FILTER\***

**WARNING:** To reduce the risk of personal injury - Unplug before cleaning or servicing. Do not use vacuum without dirt cup or filters in place.

1. Push the tab on the front of the cover to pivot out.



2. Pull out the filter, rinse dirt from both sides, and let air dry for 24 hours before reinstalling or until dry.



3. Put the dry filter back. Now line up the filter cover with the bottom tabs first and then snap back into place.



### **CLEAN THE CYCLONIC ASSEMBLY**

1. Twist counter-clockwise to open the dirt cup. Pull cyclonic assembly out of dirt cup.



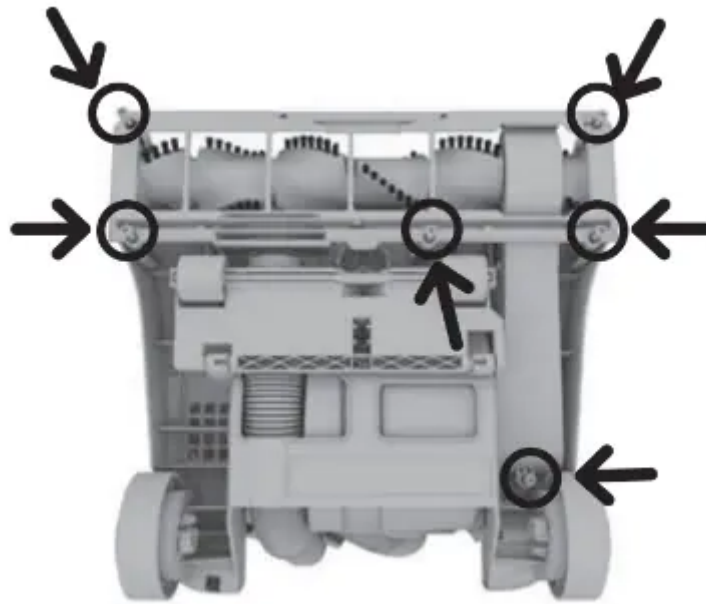
2. Use the Dusting Tool to clean the cyclonic assembly.\*



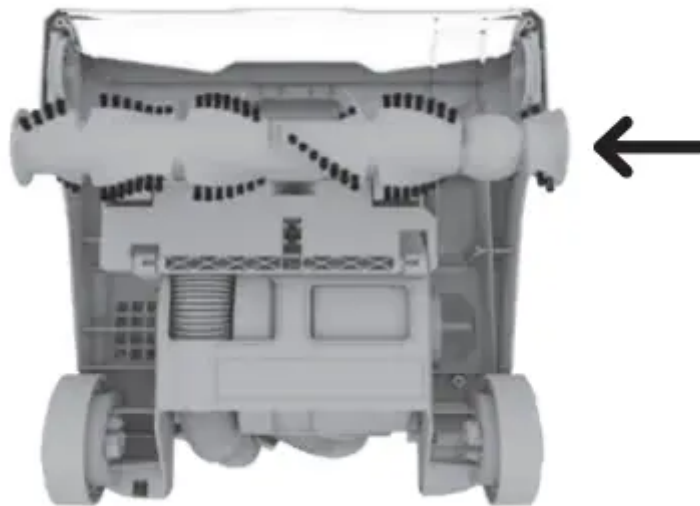
## **CLEAN THE BRUSHROLL**

**CAUTION:** To reduce the risk of injury from moving parts - Unplug before servicing.

1. Turn your vacuum over. Use a Phillips screwdriver to take off the 6 screws. Remove the bottom plate.

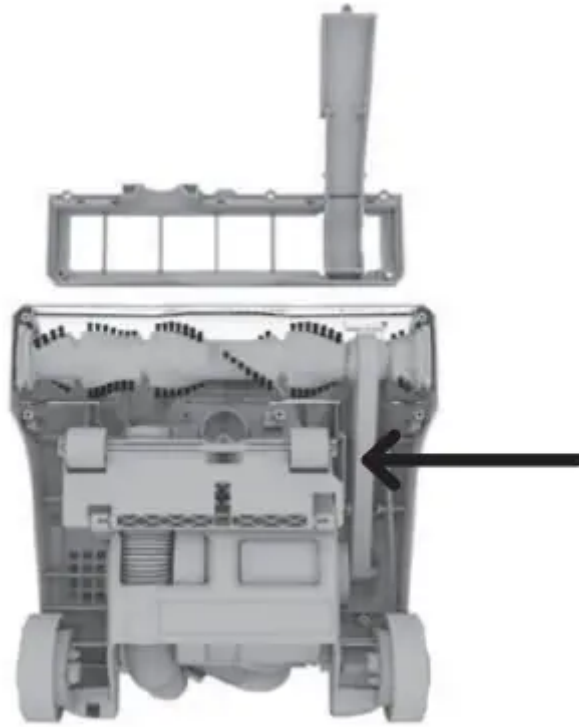


2. Clean the brushroll.



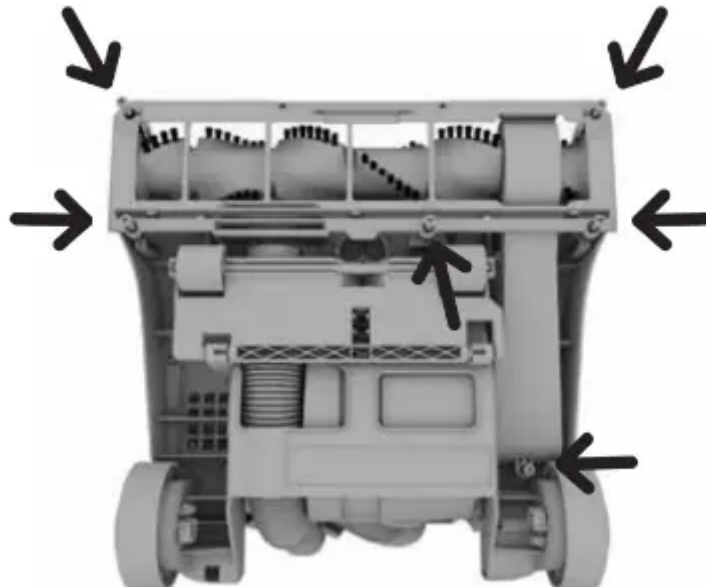
3. Slide on belt with the lettering on the outside.





## REPLACE THE BELT

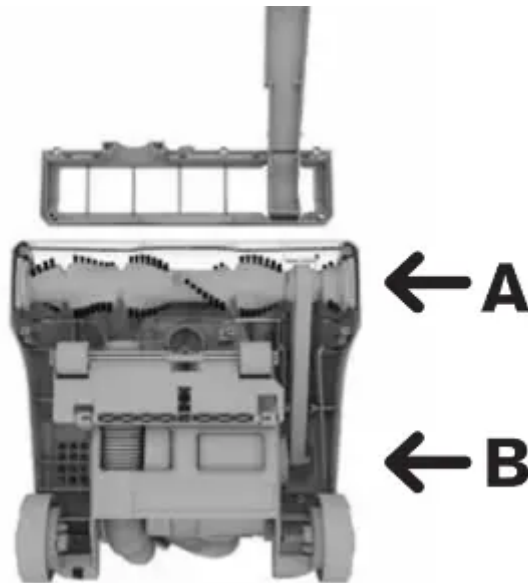
1. Turn your vacuum over. Use a Phillips screwdriver to take off the 6 screws. Remove the bottom plate.



2. Then take off that old belt. Slide on a new belt with the lettering on the outside.

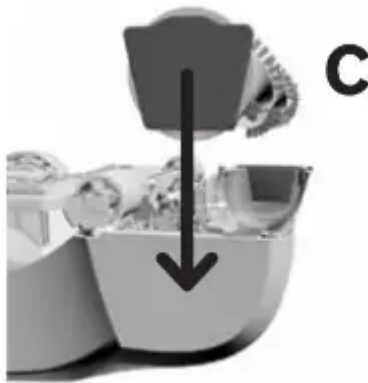


3. Slip belt around the brushroll in area without bristles (A) and metal pin (B). Each end of the brushroll will fit into pockets on each side of the nozzle (C). Put the plate back on and screw together.



**LUBRICATION:**

The motor and brushroll are equipped with bearings which contain sufficient lubrication for their lifetime. The addition of lubricant could cause damage. Do not add lubricant to motor or brushroll.



**NOTE:** Any other servicing should be done by an authorized service representative. If appliance is not working as it should, has been dropped, damaged, left outdoors or dropped into water, take it to a service center prior to continuing use.

## **TROUBLESHOOTING**

**WARNING:** To reduce the risk of personal injury - Unplug before cleaning or servicing

### **Vacuum won't run**

- Power cord not firmly plugged into outlet.
  - Plug unit in firmly.
- No voltage in wall plug.
  - Check fuse or breaker in home.
- Blown fuse or tripped breaker.
  - Replace fuse/reset breaker in home.
- Thermal Protector activated.
  - Unplug and allow vacuum to cool for 30min. (This will reset the thermal protector)

### **Dust escaping from vacuum**

- Dirt cup full.
  - Empty dirt cup.
- Dirt cup not installed correctly.
  - Review Dirt Cup removal & replacement.
- Hose not installed correctly.
  - Review Hose installation.

- Rinsable and/ or Filter made with HEPA media not installed completely.
  - Review Filter Removal and Cleaning.

### **Smoky/burning smell detected**

- Belt broken or stretched.
  - Replace brushroll belt.
- Brushroll is clogged.
  - Clear/remove debris from brushroll.

### **Vacuum tools won't pick-up**

- Hose clogged
  - Remove hose and tools; remove obstruction.
- Dirt cup full
  - Empty dirt cup.
- One or both filters are clogged.
  - Remove both filters and clean.
- Vacuum not picking up debris.
  - Brushroll could be turned off or the belt could be broken.

### **Cord rewind does not work**

- Cord reel does not retract.
  - Call 1-800-321-1134 for the nearest authorized service representative.

## **IMPORTANT SAFETY INSTRUCTIONS**

When using an electrical appliance, basic precautions should always be followed, including the following:

**WARNING: TO REDUCE THE RISK OF FIRE, ELECTRIC SHOCK OR INJURY:**

- Fully assemble before operating.
- Operate cleaner only at voltage specified on data plate on bottom of cleaner.
- Do not leave appliance when plugged in. Unplug from outlet when not in use and before cleaning or servicing.
- Do not use outdoors or on wet surfaces.
- Do not allow to be used as a toy. Not intended for use by children age 12 and under. Close attention is necessary when used by or near children. To avoid injury or damage, keep children away from product, and do not allow children to place fingers or other objects into any openings.

- Use only as described in this manual. Use only manufacturer's recommended attachments.
- Do not use with damaged cord or plug. If appliance is not working as it should, has been dropped, damaged, left outdoors, or dropped into water, return it to a service center for inspection prior to continuing use.
- Do not pull or carry by cord, use cord as handle, close a door on cord, or pull cord around sharp edges or corners. Do not place product on cord. Do not run appliance over cord. Keep cord away from heated surfaces.
- Do not unplug by pulling on cord. To unplug, grasp the plug, not the cord.
- Do not handle plug or appliance with wet hands.
- Do not put any objects into openings. Do not use with any opening blocked; keep free of dust, lint, hair, and anything that may reduce air flow.
- Keep hair, loose clothing, fingers, and all parts of body away from openings and moving parts. Brushroll continues to rotate when in upright position.
- Turn off all controls before unplugging.
- Use extra care when cleaning on stairs. To avoid personal injury or damage, and to prevent the cleaner from falling, always place cleaner at bottom of stairs or on floor. Do not place cleaner on stairs or furniture, as it may result in injury or damage.
- Do not use to pick up flammable or combustible liquids, such as gasoline, or use in areas where they may be present.
- Unplug before connecting Turbo Tool.
- Do not pick up anything that is burning or smoking, such as cigarettes, matches, or hot ashes.
- Do not use without filters and/or dirt cup in place.

**CAUTION: TO REDUCE THE RISK OF DAMAGE:**

- Avoid picking up hard, sharp objects with this product, as they may cause damage.
- Store appropriately indoors in a dry place. Do not expose machine to freezing temperatures.
- Do not use sharp objects to clean out hose as they can cause damage.
- With brushroll on, do not allow cleaner to sit in one location for an extended period of time, as damage to floor can result.
- Brushroll continues to turn while product is turned on and the handle is in the upright position. To avoid damage to carpet, rugs, and flooring, avoid tipping cleaner or setting it on furniture, fringed area rugs or carpeted stairs during tool use.

**WARNING:** To reduce the risk of electric shock, this appliance has a polarized plug (one blade is wider than the other). This plug will fit in a polarized outlet only one way. If the plug does not fit fully

in the outlet, reverse the plug. If it still does not fit, contact a qualified electrician to install the proper outlet. Do not change the plug in any way.

NOTICE A THERMAL PROTECTOR HAS BEEN DESIGNED INTO YOUR CLEANER TO PROTECT IT FROM OVERHEATING. WHEN THE THERMAL PROTECTOR ACTIVATES THE CLEANER WILL STOP RUNNING.

- If this happens proceed as follows:
  1. Turn cleaner OFF and unplug it from the electrical outlet.
  2. Empty dirt cup.
  3. Inspect the nozzle inlet, hose connector, hose, dirt cup inlet, cyclonic filter, rinsable filter, and HEPA filter. Clear obstructions if present.
  4. When cleaner is unplugged and motor cools for 30 minutes, the thermal protector will deactivate and cleaning may continue.
- If the thermal protector continues to activate after following the above steps, your cleaner needs servicing.

#### **Warning**

This content is compiled from multiple sources and is provided for reference purposes only. It may not be complete or fully applicable to all situations. If you are unable to resolve your issue, please contact the product manufacturer or an authorized service provider for official support.