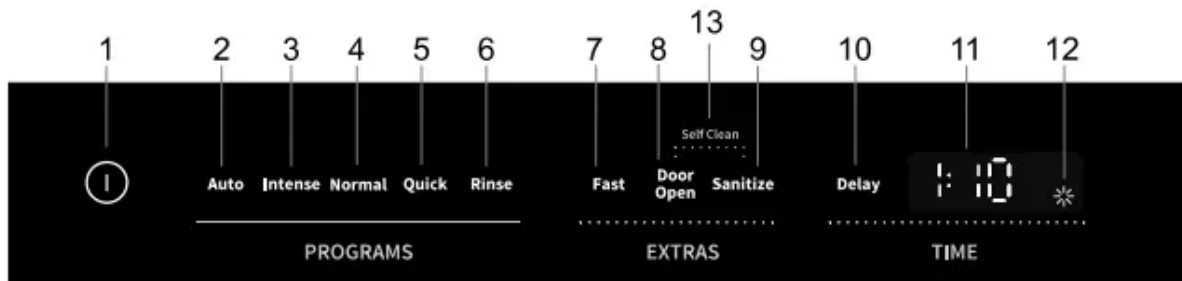


Your dishwasher



- | | |
|----------------------|-------------------------|
| 1. Main power switch | 8. Door Open |
| 2. Auto | 9. Sanitize |
| 3. Intense | 10. Delay |
| 4. Normal | 11. Display |
| 5. Quick | 12. Rinse aid indicator |
| 6. Rinse | 13. Self Clean |
| 7. Fast | |

Before washing for the first time

Checking water hardness

- Contact the local water utility to check the water hardness in your area. This is important to determine how much detergent and rinse aid to use. In general, more rinse aid and detergent are needed for hard water.

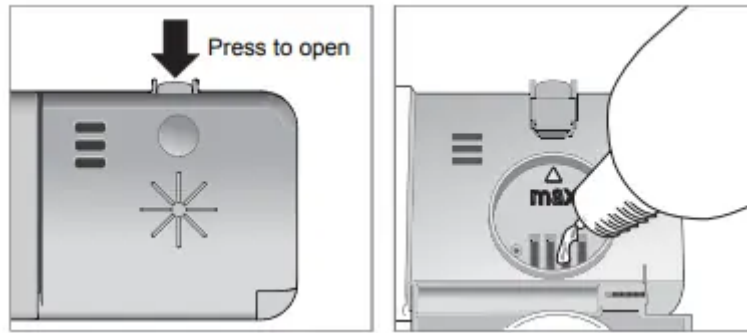
Set the Rinse aid

The chapter Settings describes how to set the rinse aid dosage.



Top up with rinse aid

Use rinse aid to improve wash and dry times. Also use rinse aid to achieve clear and spotless results.



1. Open the rinse aid compartment lid.
2. Carefully top up with rinse aid to the level marked max.
3. . Wipe up any spilled rinse aid around the compartment.
4. Close the lid firmly.

Loading the dishwasher

Greener dishwashing

- Do not rinse under running water. Simply scrape off large food particles before loading the dishwasher.
- Choose an environmentally-friendly detergent. Read the environmental declaration on the packaging!
- Do not start the dishwasher until it is fully loaded to save energy.
- If the dishes are only lightly soiled, you can select a program with a low temperature.
- Better drying results are achieved if you use the Door Open option, which automatically opens the dishwasher door. Wait until the dishwasher indicates that the program has ended and the dishes have cooled before unloading the dishwasher. (If the dishwasher is built-in, the surrounding furnishings must be resistant to any condensation from the dishwasher.)

Fragile dishes

- Some cookware is not dishwasher safe. This can be for several reasons. Some materials cannot withstand high temperatures, others can be damaged by dishwasher detergent
- Use caution with, for example, handmade items, fragile decoration, crystal/glassware, silver, copper, tin, aluminum, wood, and plastic. Look for the "Dishwasher safe" marking.

Points to consider

- All dirty surfaces should face in and down!
- Dishes should not be placed in or on each other.

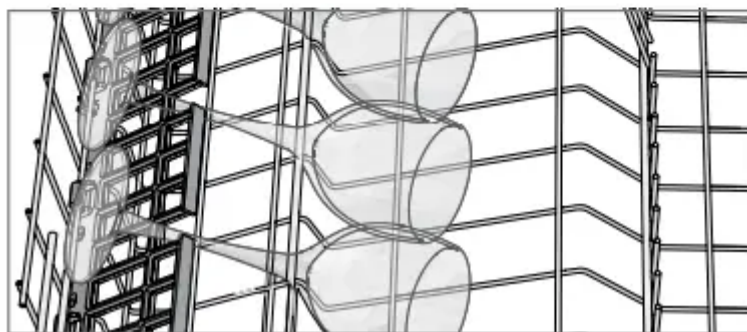
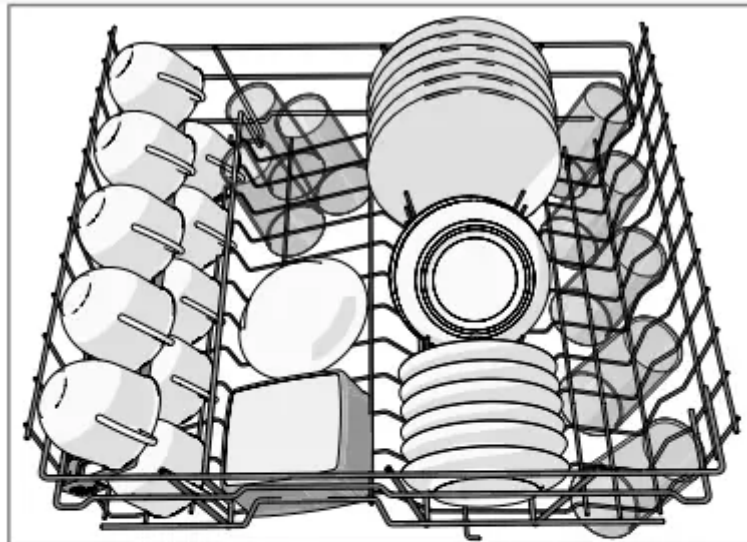
- Angle dishes with hollows, such as cups, so that the rinse water will run off. This is also important for plastic items.
- Place the upper basket in its highest position when dishwashing very large plates.
- Make sure small items cannot fall through the dishwasher basket; place them in the cutlery basket.

The baskets

- The dishwasher includes an upper, a lower, and a cutlery basket.
- The basket appearance may differ depending on the configuration.

Upper basket

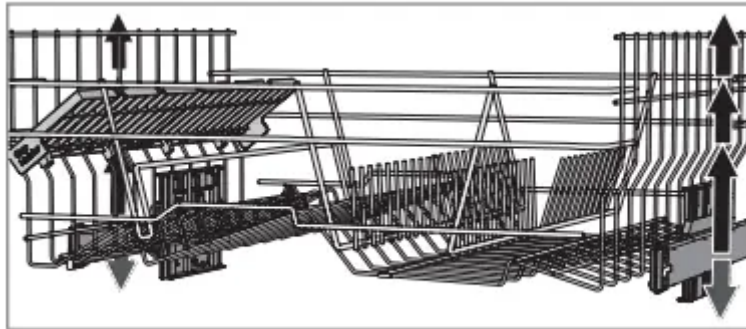
- Place glasses, cups, bowls, side plates, and saucers in the upper basket. Place all soiled surfaces face down! Place wine glasses on the wine glass shelf. Place knives in the knife stand on the right (if space allows).



Raising and lowering the upper basket

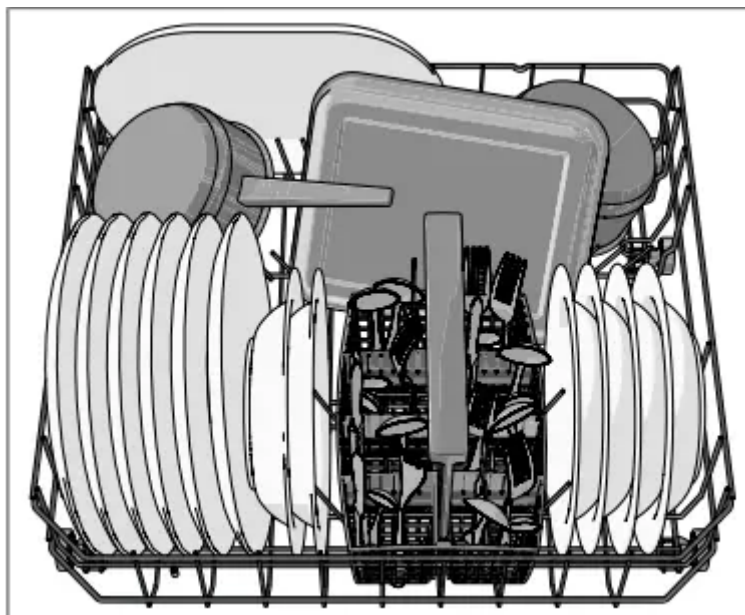
1. Pull out the upper basket.
2. Grab the sides of the upper basket with both hands and lift it up.

3. Repeatedly lift the basket with both hands to change its position. (The upper basket can be set in three positions.) When the upper basket is in the highest position, lifting it will return it to the lowest position. Note that both sides of the basket must always be set to the same height.



Lower basket

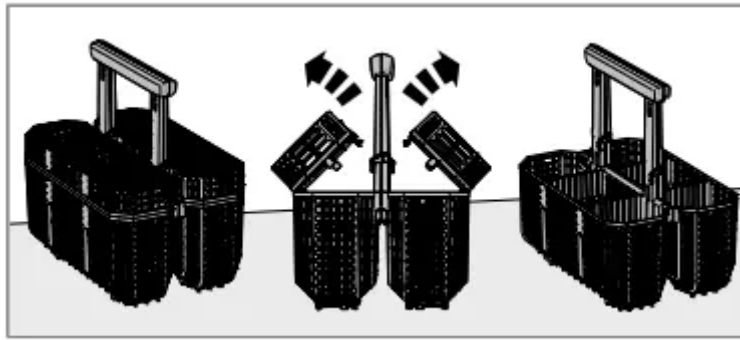
- Place plates, side plates, serving dishes, pots, and cutlery (in the cutlery basket) in the lower basket.



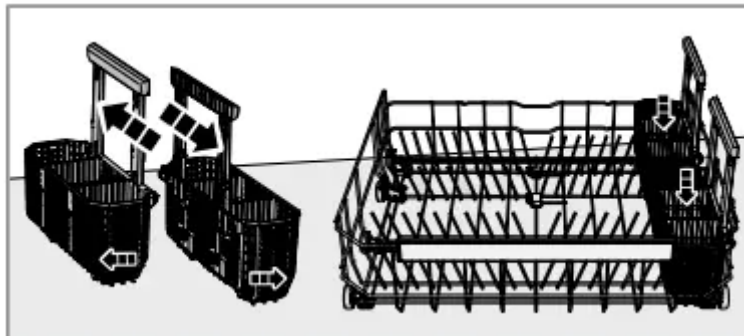
Cutlery basket

- Place cutlery with the handles facing down, except for knives, and spread them out as much as possible. Ensure that spoons do not stack inside each other.
- Place the cutlery basket in the lower basket.

Cutlery basket with lid: The cutlery basket lid can be removed



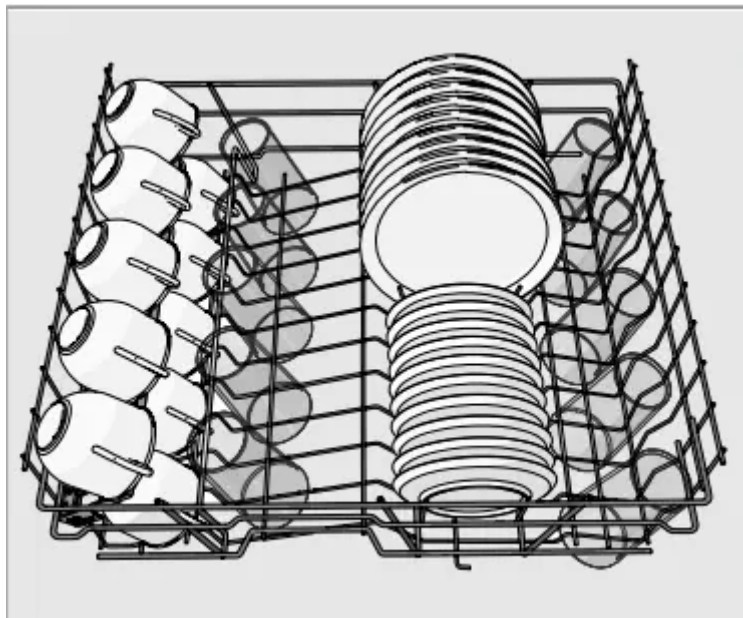
Flexible cutlery basket: The cutlery basket is flexible and can be separated into two parts, which can then be attached to the side of the lower basket



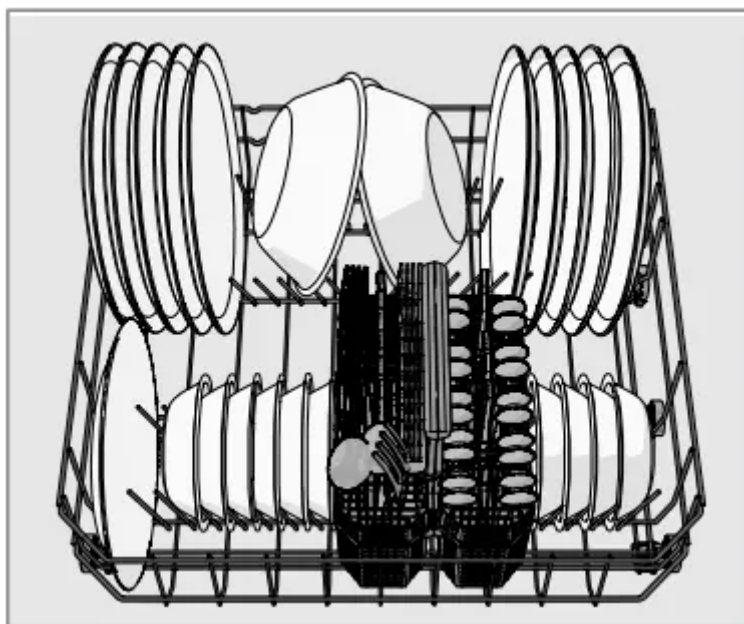
Typical load

Recommended for daily, regular, or typical use.

Upper basket

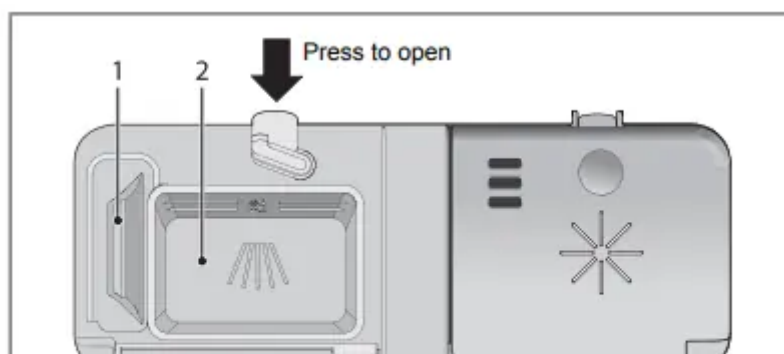


Lower basket



Using the dishwasher

Add detergent



1. Prewash detergent compartment
2. Main wash detergent compartment

- Detergent is added according to water hardness.
- Follow the instructions on the detergent packaging.
- Too much detergent can result in less effective dishwashing and also entails greater environmental impact.
- The detergent compartment must be dry when adding detergent. There is one compartment for the prewash and one for the main wash. If powder or liquid dishwasher detergent is used, add a small amount of the detergent to the prewash compartment. Contact the detergent manufacturer if you have questions about the detergent.
- NOTE! Use only dishwasher detergent! Liquid hand-washing detergent must not be used as the foam that forms prevents the dishwasher from operating effectively.

- Dishwasher tablets: Halve the tablet if it is difficult to close the dispenser lid. There is a risk that the detergent will not be released properly if the lid is tight and cannot open correctly.
- NOTE! Dishwasher tablets are not recommended for short programs (less than 75 minutes). Use powder or liquid dishwasher detergent instead
- All-in-one detergent
 - There are many types of all-in-one detergents on the market. Read through the directions for these products carefully.
 - If the detergent tablets contain rinse aid, the dishwasher's rinse aid dosing can be deactivated. See the chapter Settings.
- NOTE! Optimal washing and drying results are achieved by using normal dishwasher detergent together with separately dispensed rinse aid.

The main power switch: Press and hold the main power switch until the display turns on. Also check that the water supply valve is on.

PROGRAMS - Select a program

- Select a program to suit the type of dishes and how dirty they are.
- Press the desired program until the program symbol is activated.
- Auto: The dishwasher can measure how dirty the dishes are and adjust water consumption and temperature accordingly. When newly installed, the program needs to be run five times before it is fully adapted and can provide the best results.
- Auto1) + Fast: An effective program for daily use with slightly dried leftovers. (This program is not intended for burnt food, such as on oven dishes.)
- Intense: Program for heavily soiled dishes, such as pans, casserole dishes, and oven dishes. If these dishes do not completely fill the dishwasher, you can add plates and other dishes that can withstand a Heavy wash to fill out the load. Combine the Intense program with the Sanitize option to meet the performance requirements of the NSF/ANSI 184 standard.
- Normal: This program is recommended for daily, regular, or typical use to completely wash a full load of normally soiled dishes, such as plates, serving dishes, cups, and glasses.
- Quick: This program is used for glasses and porcelain that is lightly soiled, such as coffee cups. In combination with Fast, a shorter program is achieved (15 minutes).
- Rinse: Use to rinse dishes while you wait for the dishwasher to become fully loaded.

EXTRAS- Select an option

- To select an option, press one of the option buttons until the option is activated. The available options vary between programs and some options cannot be combined (available options glow dimly).
- Fast: This option shortens the program time, but uses more energy and water.
- Door Open: The dishwasher door opens automatically, which improves the drying results. Wait until the dishwasher indicates that the program has ended and the dishes have cooled before unloading the dishwasher. (If the dishwasher is built-in, the surrounding furnishings must be resistant to any condensation from the dishwasher.)
- NOTE! The dishwasher door must not be blocked when set to open automatically. This can disrupt door lock functionality.
- Sanitize
 - This option is intended for items with particularly high sanitation requirements, such as baby bottles and cutting boards. The temperature is increased in both the main wash and the final rinse.
 - Sanitize has been developed to be combined with the Intense dishwashing program. The program meets the requirements of the NSF/ANSI 184 standard.
- NOTE! If the program is run in compliance with the NSF/ANSI 184 standard, "End" is shown on the display and the Sanitize option button lights when the program has finished.
- Delay
 - When you select Delay, the dishwasher will start 1-24 hours after you close the door.
 1. Press the button once to activate Delay. Press the button several times – or hold it in – to set the desired number of hours.
 2. Close the door and the dishwasher display counts down 1 hour at a time and starts after the selected delay.
 - If you want to cancel the Delay option, open the door and press and hold the main power switch until the display turns off.

Starting the dishwasher

1. To activate a program and an option: Press the desired program and then the desired option.
2. To start the program: Press and hold the desired program until the program symbol starts to flash.
3. Close the door within four seconds to start the dishwasher.

TIME - Time remaining

- Once you have chosen a program and options, the time the program took when last used is displayed.

Stopping or changing a program

- If you want to change the program after starting the dishwasher, open the door then press and hold the main power switch until the display turns off. Add more detergent if the lid of the detergent dispenser has opened. Then press the main power switch again to choose a new program.
- **WARNING!** "STR" is shown on the display if the dishwasher door is opened while a program is in progress. If you want the dishwashing program to continue, press the flashing program button and close the door immediately. (For Self Clean, press the associated option buttons.) If you want to cancel the dishwashing program, press and hold the main power switch until the display turns off.

If the dishwasher is turned off due to a power failure

- If the program was not finished, the interrupted program resumes when power is restored.
- **NOTE!** During drying, the program is interrupted if the power is cut or the door is open for more than 2 minutes

Once the program has finished

- The end of the program is indicated by one short signal from the buzzer. The chapter Settings describes how to change this function.
- The dishwasher switches off automatically after the program ends.
- To minimize the risk of leaks, we recommend that you turn off the water supply valve if away from home for an extended period of time.

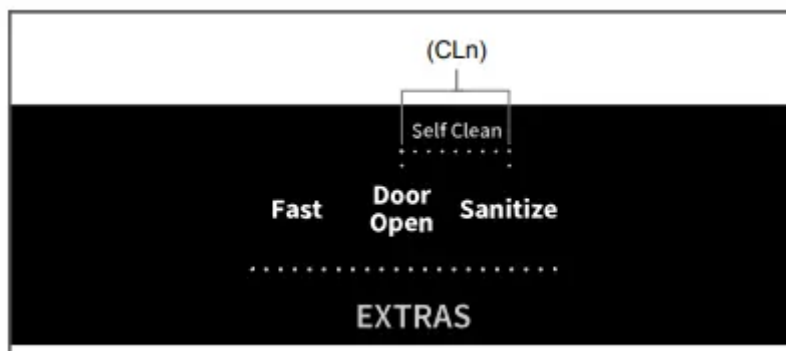
How to get the best drying results

- Fully load the dishwasher.
- Angle dishes with hollows, such as cups, so that the rinse water will run off. This is also important for plastic items.
- Top up with rinse aid or increase the rinse aid dosage level.
- Activate the Door Open option.
- Allow the dishes to cool before unloading the dishwasher.

Unloading the dishwasher

- Hot porcelain is more fragile. Leave the dishes to cool in the dishwasher before unloading them.
- Unload the lower basket first to avoid any water drops from the upper basket falling onto the dishes in the lower basket.

Special programs



- Press and hold the associated option buttons to activate a special program. The program starts when the door is closed.
- Self Clean (CLn)
 - Self-cleaning program for sanitizing the dishwasher tub, spray arms, and spray pipes.
 - This program should be run (with no dishes in the machine) using regular dishwasher detergent or citric acid. Special dishwasher cleaners are also available in stores. For the removal of limescale deposits, see The dishwasher tub in the chapter Care and maintenance instructions.

Settings

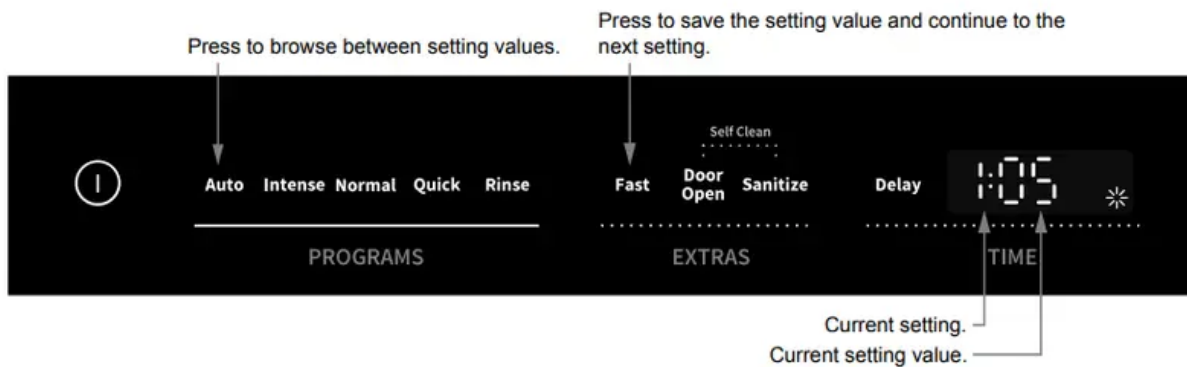
Open the settings menu:



1. First, open the door. Turn off the machine. Press and hold the main power switch until the display lights up.
2. Within 10 seconds:
 - press the program button for Auto and the option button for Fast

3. The display shows the settings menu (current setting and its currently set value). (Exit the menu by browsing through the menu or pressing the main power switch.)

Navigate the settings menu:



You can now adjust the following settings:

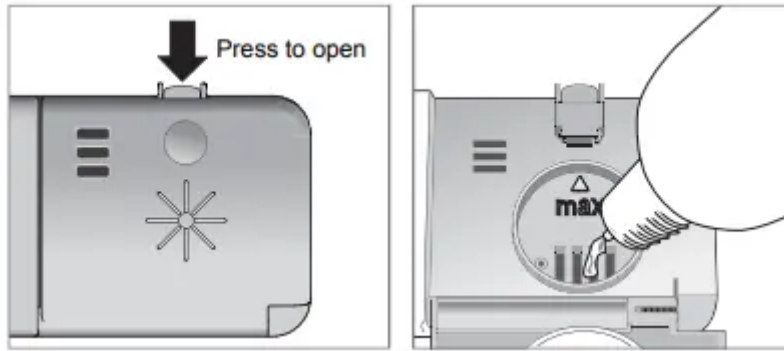
Settings	Options	
1. Rinse aid	1:00 - 1:05	<p>Rinse aid dosage setting.</p> <p>Increase the rinse aid dosage:</p> <ul style="list-style-type: none"> • If the dishes have water marks. <p>Reduce the rinse aid dosage:</p> <ul style="list-style-type: none"> • If the dishes have a sticky white/blue film. • If the dishes are streaked. • Heavy foaming. If you have very soft water, the rinse aid can be diluted 50:50 with water. <p>Pre-selected at factory: 05</p>
2. Buzzer volume	4:00 - 4:03	The dishwasher uses a buzzer to indicate when a program is finished or when a fault has occurred

Care and maintenance instructions



Top up with rinse aid

When the rinse aid needs topping up, the above symbol lights on the display.

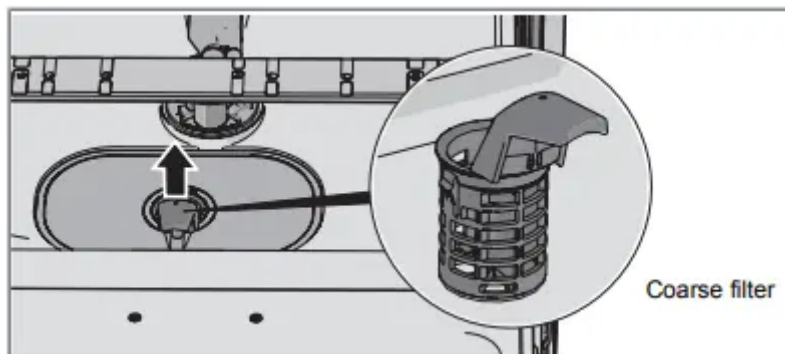


1. Open the rinse aid compartment lid.
2. Carefully top up with rinse aid to the level marked max.
3. Wipe up any spilled rinse aid around the compartment.
4. Close the lid firmly.

After topping up, it may take a while before the symbol goes out.

Coarse filter

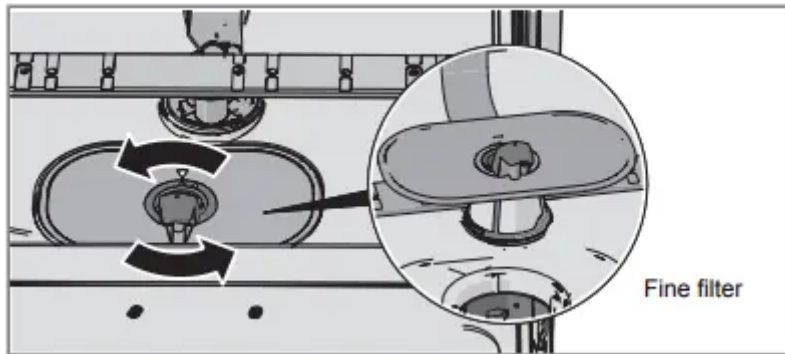
The coarse filter traps larger food particles, which cannot get past the drain pump. Empty the coarse filter when necessary.



1. Lift the coarse filter by the handle.
2. Empty the coarse filter. Remember to reinstall it!

Fine filter

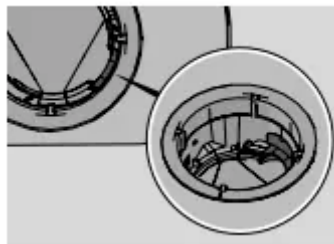
Debris that collects on the fine filter is automatically rinsed away during each wash. Clean the fine filter when necessary.



1. Turn the locking ring counterclockwise and lift the fine filter straight up
2. Clean the fine filter.
3. Refit the fine filter and turn the locking ring clockwise to its stop position. Check that the edges seal properly. Remember to refit the coarse filter!

NOTE! Dishwashing results may be affected if the filters are incorrectly fitted. Note that the dishwasher must not be used without the filters in place!

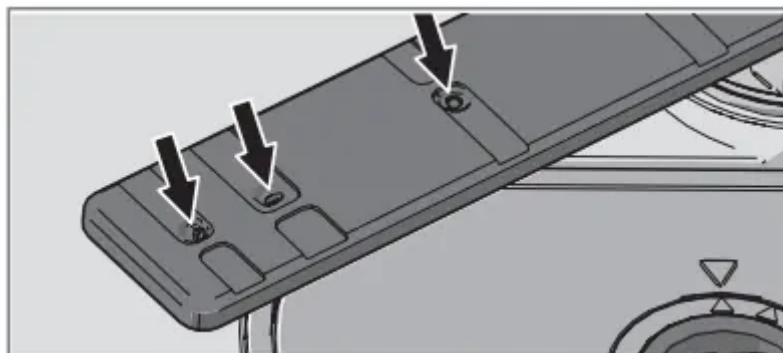
NOTE!



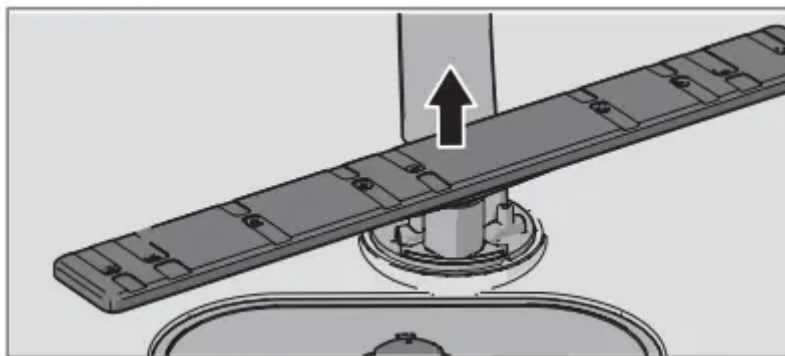
- Check that the colored stop on the right in the bottom drain is in place.

Spray arms

- Holes and bearings can become blocked. Remove debris using a needle or similar item. The spray arms have holes on the bottom.

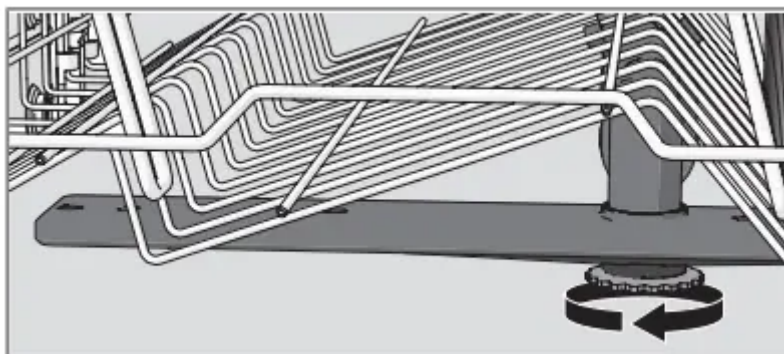


- Spray arms can be removed for cleaning. Remember to fit them firmly back into place afterward.
- Lower spray arm: Pull the lower spray arm straight up to release it



Upper spray arm

1. Pull out the upper basket.
2. Unscrew the spray arm bearings counterclockwise to remove the spray arm from the upper basket.



The door and the door seal

- Regularly clean the sides of the door and the door seal. Use a slightly damp cloth (with a little cleaner if necessary).

Display panel

- Keep the buttons clean and free from grease. Wipe them clean with a dry or slightly damp cloth. Never use cleaners – they can scratch the surface. Use the main power switch to turn off the dishwasher before cleaning the buttons to avoid activating any buttons unintentionally.

The dishwasher tub

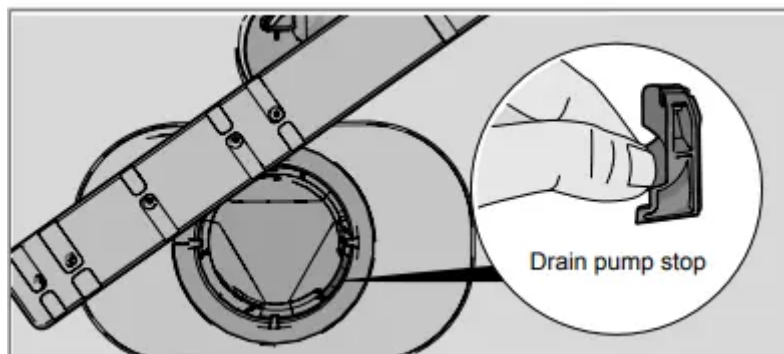
- The dishwasher tub is made of stainless steel and is kept clean through normal use.
- Limescale deposits: If you have hard water, limescale deposits may build up in the dishwasher. If this happens, run a self-cleaning program with two tablespoons of citric acid in the detergent compartment (with no dishes in the machine). See Self Clean in the chapter Using the dishwasher.

- TIP! Use citric acid or commercially available dishwasher cleaner

Unblocking the drain pump

If the dishwasher still contains water after the program has finished, something may be blocking the drain pump. Such items are easily removed.

1. Turn off the machine using the main power switch and unplug it from the power outlet.
2. Remove the coarse filter and the fine filter.
3. Scoop out the water from the dishwasher tub.
4. In order to inspect the drain pump, remove the colored stop on the right in the bottom drain.
5. Turn the pump wheel located behind the drain pump stop by hand. Carefully remove any items.
6. Reinstall the drain pump stop along with the fine and coarse filters.
7. Plug the machine in again. If the dishwasher still does not start and a whirring sound is heard, the overflow protection has been triggered.
 - Shut off the water.
 - Unplug the unit from the power outlet.
 - Call the Customer Care Center.



NOTE! Do not forget to reinstall the drain pump stop.

Troubleshooting

	Type of fault on the display	Action
F10	Overfilling	Clear the drain pump. See the chapter Care and maintenance instructions. If the problem persists, call the Customer Care Center.
F11	Water outlet fault	See “Water remains in the dishwasher above the filters” in the table “Problem” below. If the problem persists, call the Customer Care Center.
F12	Water inlet fault	Check that the water supply valve is on. If the problem persists, call the Customer Care Center.
F40	Inlet valve leakage	Turn off the water supply valve and call the Customer Care Center
F52	Water level fault	Clean the coarse and fine filters. If the problem persists, call the Customer Care Center.
F54	Overfilling	Turn off the water supply valve and call the Customer Care Center.
F56	Circulation fault	Call the Customer Care Center.

Press any button to clear the error message.

Problem	Possible causes	Action
<p>1. The buttons do not react when pressed</p>	<p>You have pressed the buttons too soon after opening the door.</p> <p>The buttons are dirty</p> <p>The door is closed.</p>	<p>Wait a moment then try again.</p> <p>Clean with a dry or slightly damp cloth.</p> <p>Open the door. The buttons only react to use when the door is open.</p>
<p>2. Cannot close door.</p>	<p>The baskets are not correctly positioned.</p> <p>The door lock does not click into place and lock.</p>	<p>Check that the baskets are correctly positioned horizontally. Check that the dishes are not blocking the baskets from sliding properly into place.</p> <p>Check the door lock. If it does not click into place, open the door. Press and hold the button for the Door Open option for 15 seconds. Then wait 30 seconds. Close the door. Check that the door lock clicks into place.</p>
<p>3. The dishwasher does not start.</p>	<p>The door is not closed properly or was not closed immediately after starting the program.</p> <p>The door lock has not clicked into place and locked</p> <p>.A fuse/circuit breaker has been tripped.</p> <p>The plug is not plugged into the power Check. outlet.</p> <p>The water supply valve is turned off.</p> <p>Overflow/leaks.</p> <p>A whirring sound (the drain pump) is heard from the dishwasher and does not stop when the main power switch is turned off.</p>	<p>Close the door within four seconds, otherwise the dishwasher will not start. See Starting the dishwasher in the chapter Using the dishwasher</p> <p>Check the door lock. If it has not clicked into place, open the door. Press and hold the button for the Door Open option for 15 seconds. Then wait 30 seconds. Close the door. Check that the door lock clicks into place.</p> <p>Check</p> <p>Check</p> <p>Check</p> <p>Turn off the water supply valve. Pull out the plug and call the Customer Care Center.</p> <p>Press and hold the main power switch until the display turns off if you want to cancel the Delay option. Restart the dishwasher.</p>



<p>Check that the Delay option has not been selected.</p>

4. The dishes are not clean.

The spray arms do not rotate.	<p>Remove the arms and clean them.</p> <p>Check that the dishes are not blocking the spray arms.</p>
Spray arm holes or bearings blocked.	Clean the spray arms. See the chapter Care and maintenance instructions.
Unsuitable dishwashing program.	Choose a longer program
Incorrect detergent dosage.	Dose according to water hardness. Far too much or far too little detergent can result in poor dishwashing results
Detergent is too old. Detergent is a perishable product.	Avoid large packages.
Dishes loaded incorrectly.	Do not cover dishes with large bowls or lids. Avoid placing very tall glasses in the corners of the baskets.
Glasses and cups have toppled over during the program	Load the dishes securely.
The filters are not fitted correctly	Check that the filter handle is locked in the stop position. The handle should point straight out from the dishwasher.
Drain pump stop missing.	Check that the colored stop on the right in the bottom drain is in place. See the chapter Care and maintenance instructions.

Problem	Possible causes	Action
5. Spots on stainless steel or silver.	<p>Some types of food, such as mustard, mayonnaise, lemon, vinegar, salt, and dressings, can mark stainless steel if left for too long</p> <p>All stainless steel can cause spots on silver if they come into contact during dishwashing. Aluminum can also cause spots on dishes</p>	<p>Rinse off these types of food if not starting the dishwasher immediately. Use the Rinse program.</p> <p>In order to avoid marks and tarnishing, separate dishes made from different metals, such as silver, stainless steel, and aluminum.</p>
6. Spots or films on the dishes	<p>Incorrect rinse aid dosage setting.</p> <p>Too high temperature and/or too much detergent can cause etching on crystal.</p> <p>Unfortunately, this cannot be repaired, only prevented</p>	<p>See the chapter Settings.</p> <p>Wash crystal at a low temperature and with a conservative amount of detergent. Contact the detergent manufacturer.</p>
7. The dishes have a sticky white/blue film	Rinse aid dosage setting too high.	Reduce the amount. See the sections Before washing for the first time and Settings. If you have very soft water, you may want to dilute the rinse aid 50:50 with water.
8. Spots left after washing.	Lipstick and tea can be difficult to wash off	Use a detergent with a bleaching agent.
9. Detergent residue in the detergent compartment after dishwashing.	The detergent compartment was damp when adding detergent.	The detergent compartment must be dry when adding detergent.
10. Rattling sound when dishwashing	The dishes are not correctly placed or the spray arms are not rotating	Check that the dishes are placed securely. Spin the spray arms to make sure they can rotate.

<p>11. "STR" is shown on the display.</p>	<p>The dishwasher door has been opened while a program is in progress.</p>	<p>If you want the dishwashing program to continue, press the flashing program button and close the door within five seconds. (For Self Clean, press the associated option buttons..</p> <p>If you want to cancel the dishwashing program, press and hold the main power switch until the display turns off.</p>
<p>12. The Intense program has been run with the Sanitize option selected, but "End" is not shown on the display and the Sanitize option button does not light when the program has finished.</p>	<p>In order to meet the requirements of the NSF/ANSI 184 standard, the door must not be opened while the Intense program is running with the Sanitize option selected.</p> <p>In order to meet the requirements of the NSF/ANSI 184 standard, the power must not be cut while the Intense program is running with the Sanitize option selected</p> <p>The Intense program has been run with the Sanitize option selected but has not reached a sufficiently high temperature to meet the requirements of the NSF/ANSI 184 standard.</p>	<p>Restart the dishwasher if the program must be run in compliance with the NSF/ANSI 184 standard.</p> <p>Restart the dishwasher if the program must be run in compliance with the NSF/ANSI 184 standard.</p> <p>Restart the dishwasher if the program must be run in compliance with the NSF/ANSI 184 standard.</p>

13. Water remains in the dishwasher above the filters.



Possible causes	Action
The filters are blocked.	Clean the coarse and fine filters
The filters are not fitted correctly.	Check that the filter handle is locked in the stop position. The handle should point straight out from the dishwasher
Debris in the drain pump.	Clean the drain pump. See the chapter Care and maintenance instructions.
Drain pump stop missing	Check that the colored stop on the right in the bottom drain is in place. See the chapter Care and maintenance instructions.
Kink in drain hose	Check that the hose is free from kinks and sharp bends.
Blocked drain hose.	Loosen the drain hose from where it terminates. Check that no debris has clogged the hose. Is the cone-shaped part of the drain boot cut to the maximum size of the fitting where it attaches?

14. Bad odor in dishwasher.

Possible causes	Action
Dirt around the seals and in corners.	Clean with dish brush and low foaming cleaner.
Low temperature programs have been selected for a prolonged period.	Run a program with a higher temperature about once a month. Or select the self-cleaning program. See Self Clean in the chapter Using the dishwasher.

15. The dishes are not dry enough.

Possible causes	Action
The Door Open option is not activated.	Activate the Door Open option.
The dishwasher is not fully loaded.	Fully load the dishwasher
Rinse aid needs topping up or dosage is set too low.	Top up with rinse add or increase the rinse aid dosage. See the sections Before washing for the first time and Settings.

Warning

This content is compiled from multiple sources and is provided for reference purposes only. It may not be complete or fully applicable to all situations. If you are unable to resolve your issue, please contact the product manufacturer or an authorized service provider for official support.

Document generated by [ManualsFile](#)