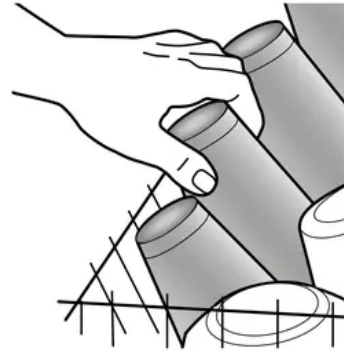
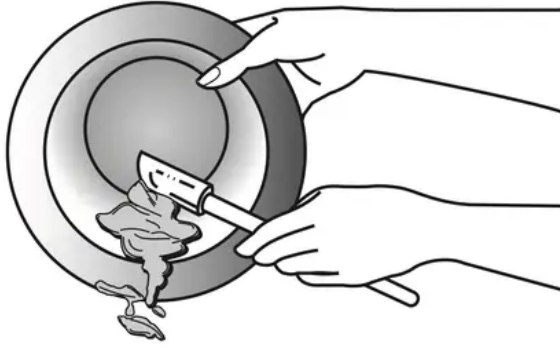


Quick Steps

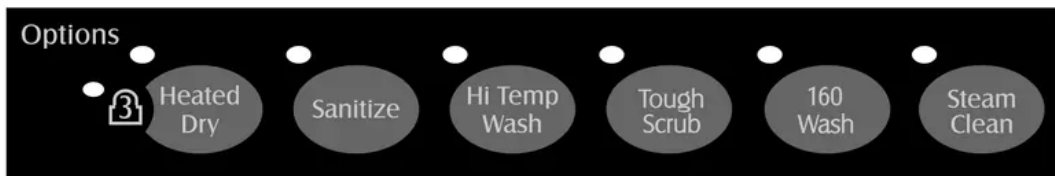
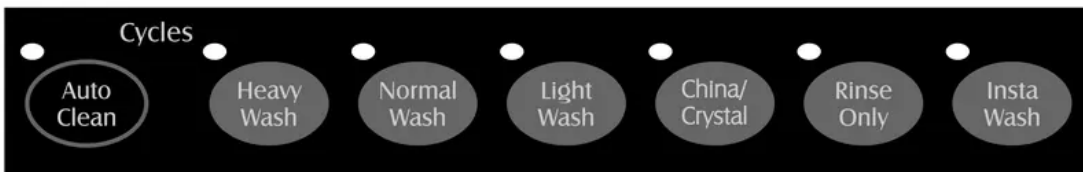
1. Prepare and load dishwasher.



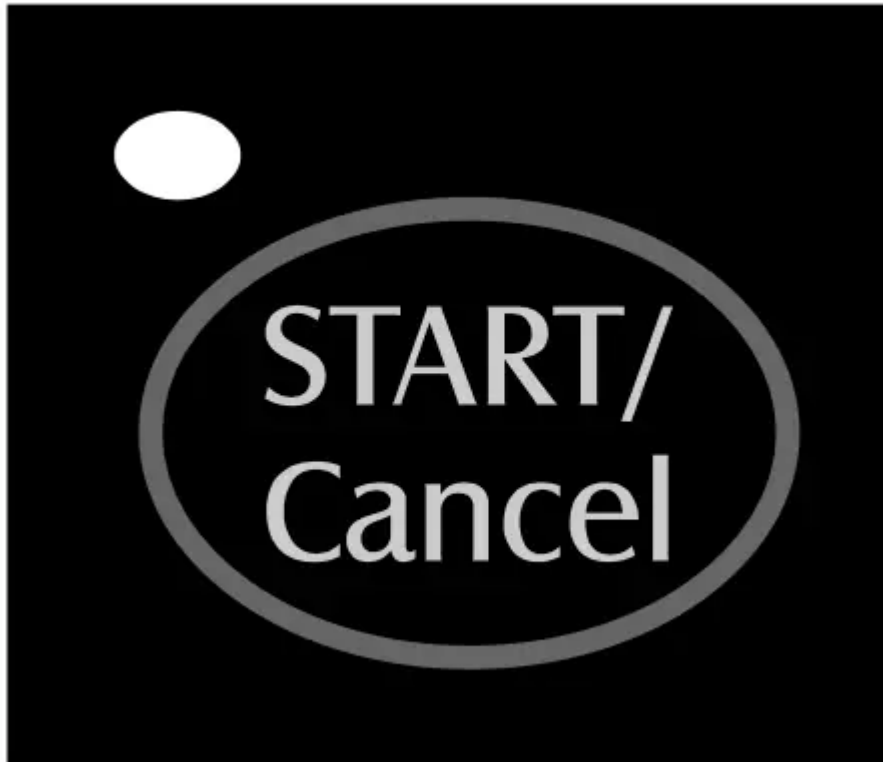
2. Add detergent for cleaning and rinse aid for drying.



3. Select a cycle and option.



4. Start dishwasher.



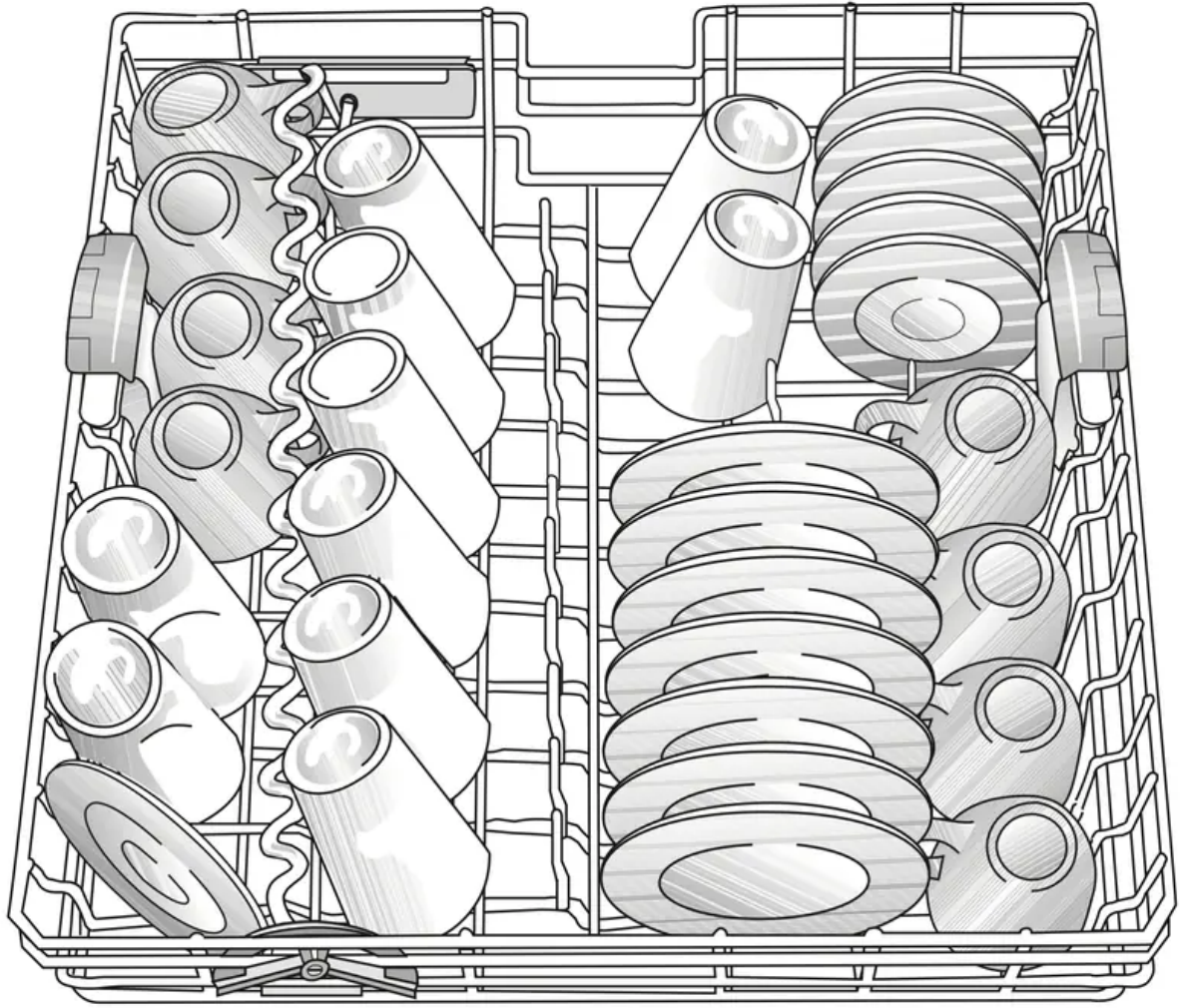
Dishwasher Use

STEP 1

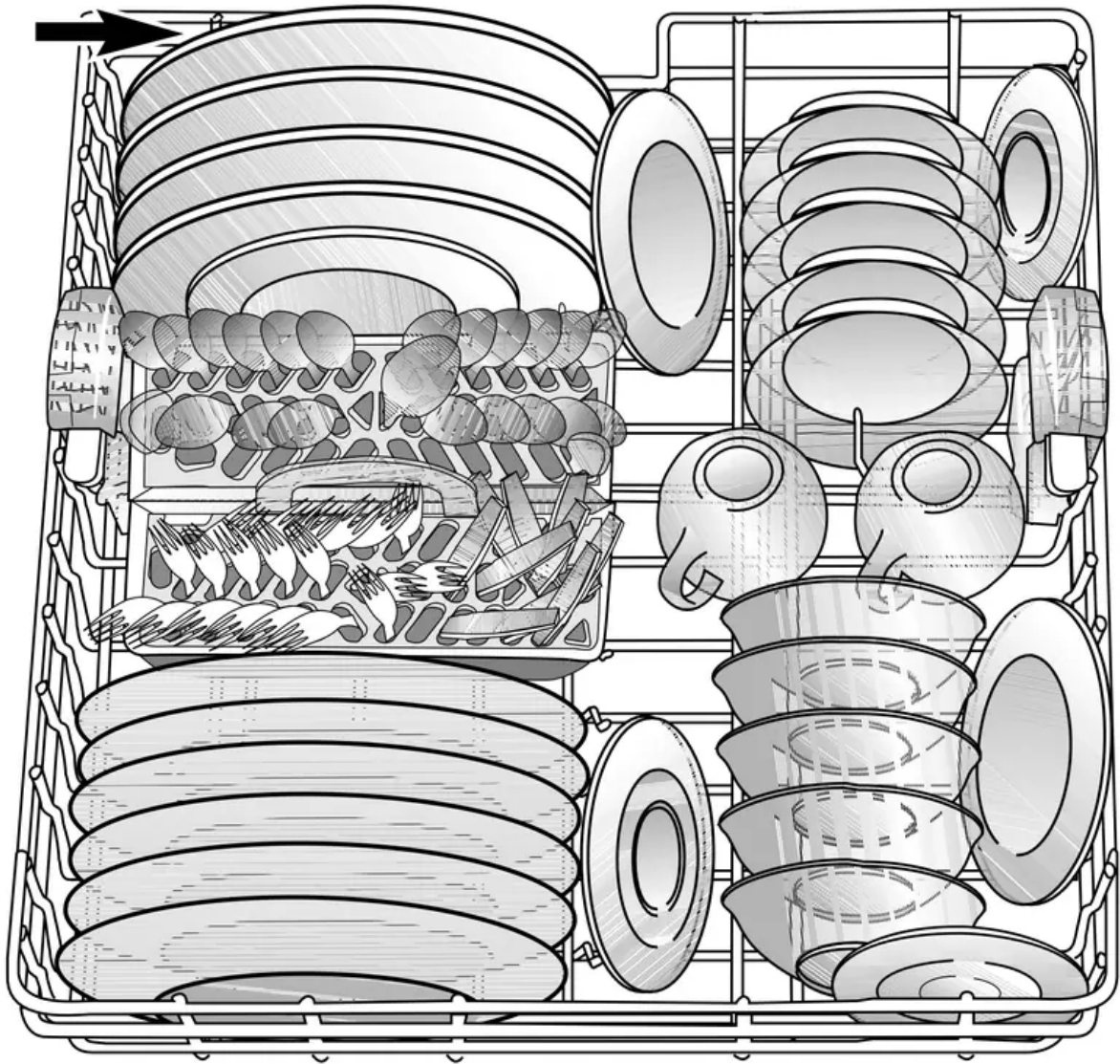
Prepare and Load the Dishwasher

IMPORTANT: Remove leftover food, bones, toothpicks and other hard items from the dishes. Remove labels from containers before washing.

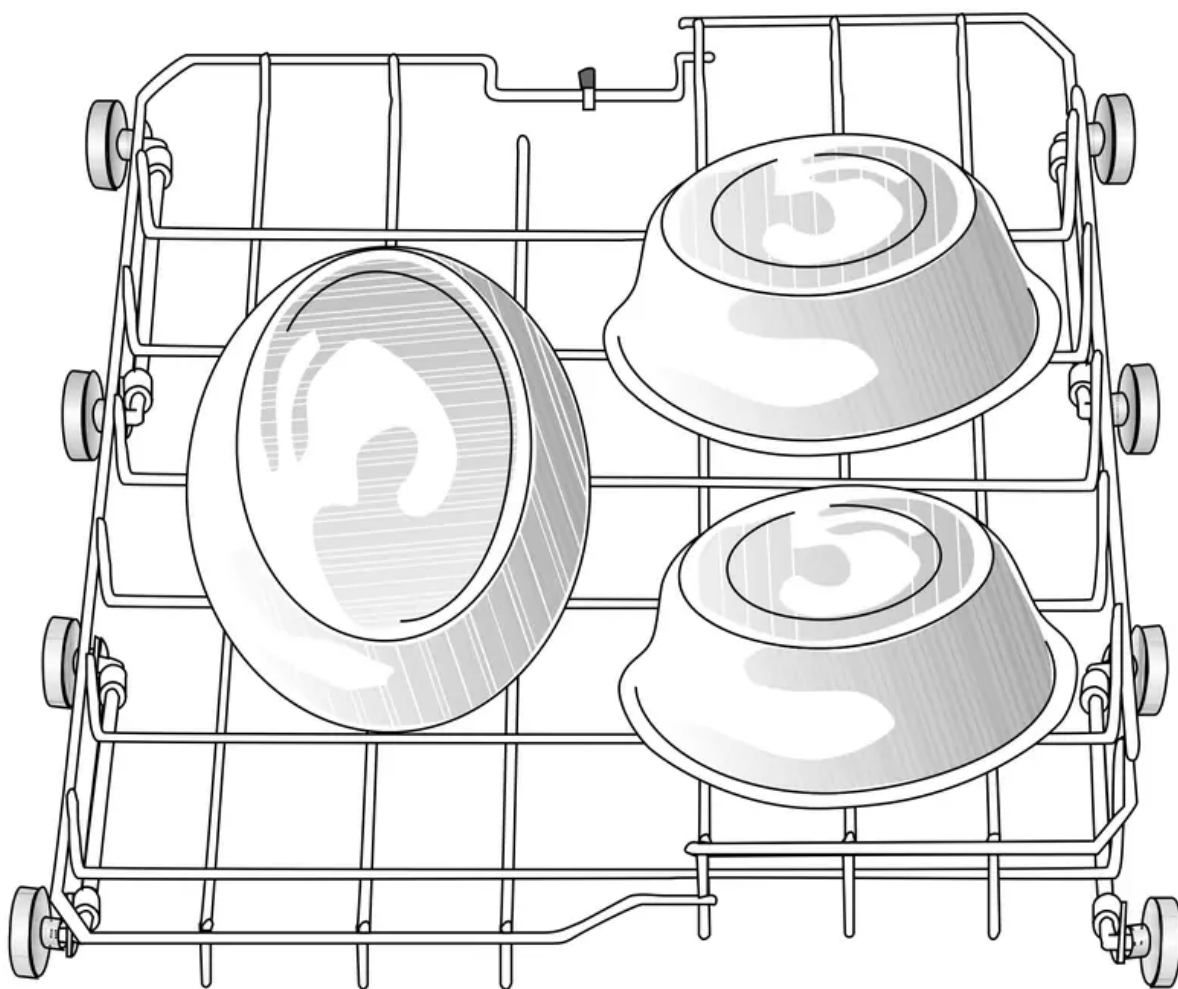
Three rack loading



Upper rack

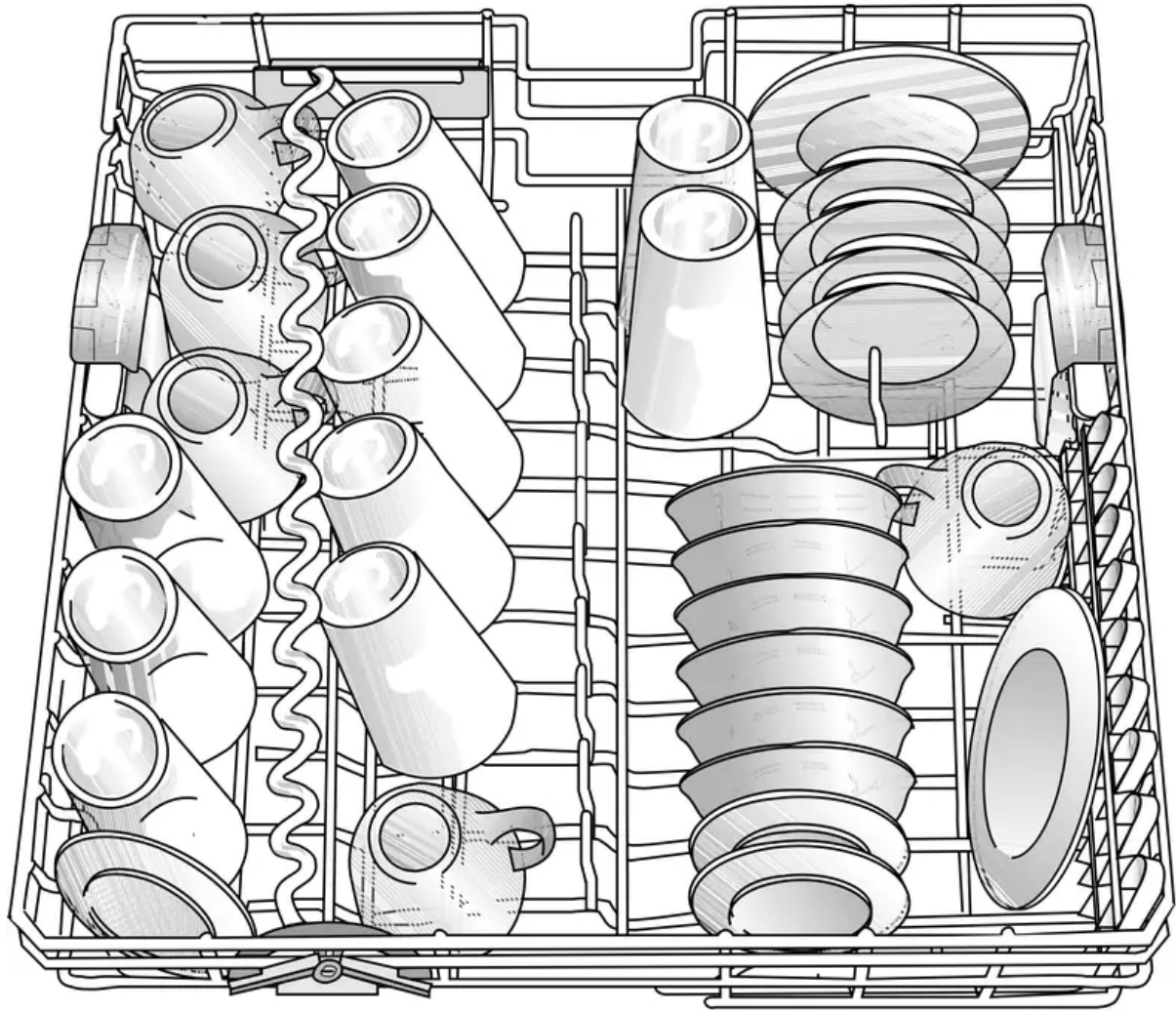


Middle rack

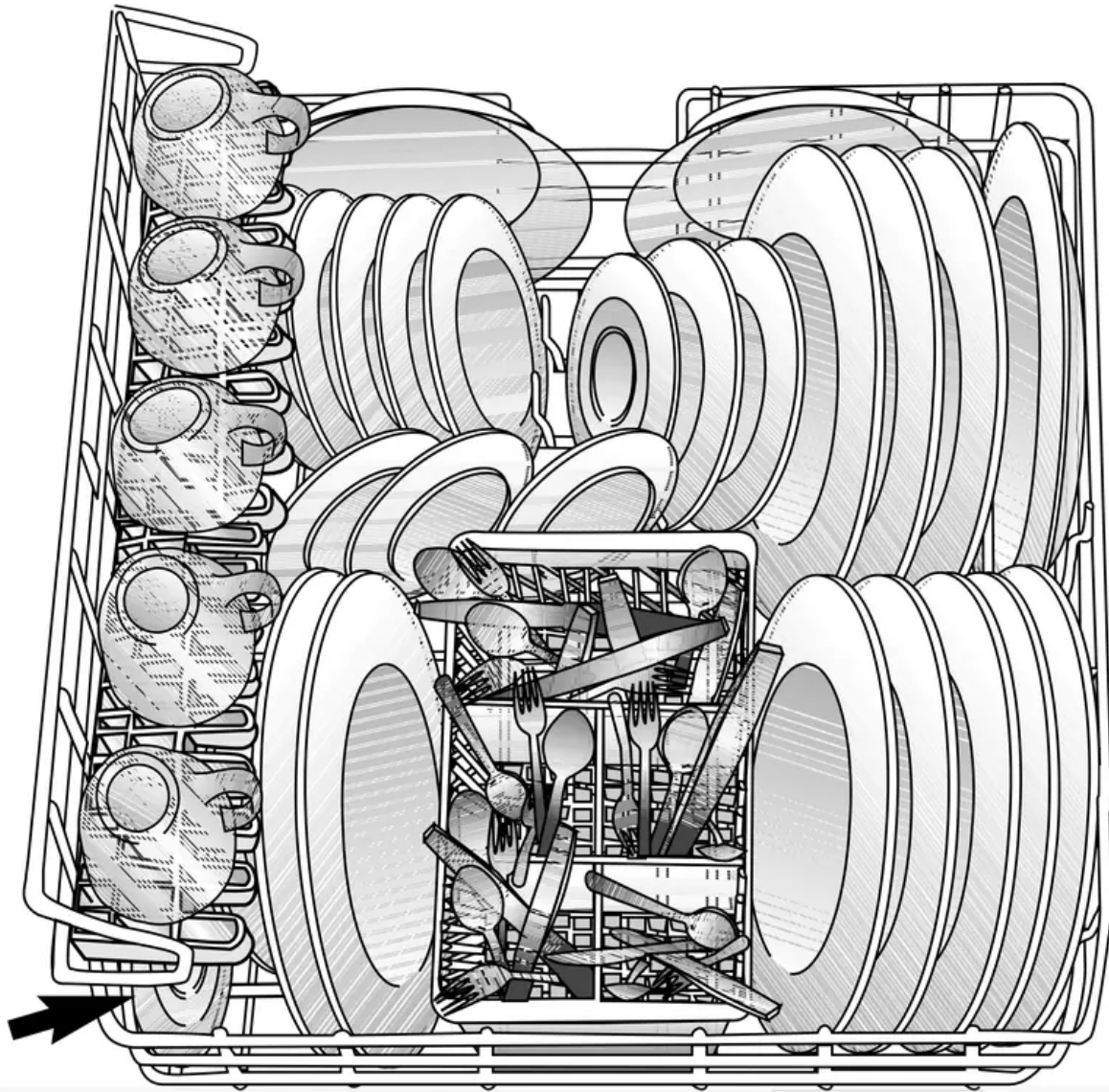


Lower Flexload™ rack

Two rack loading

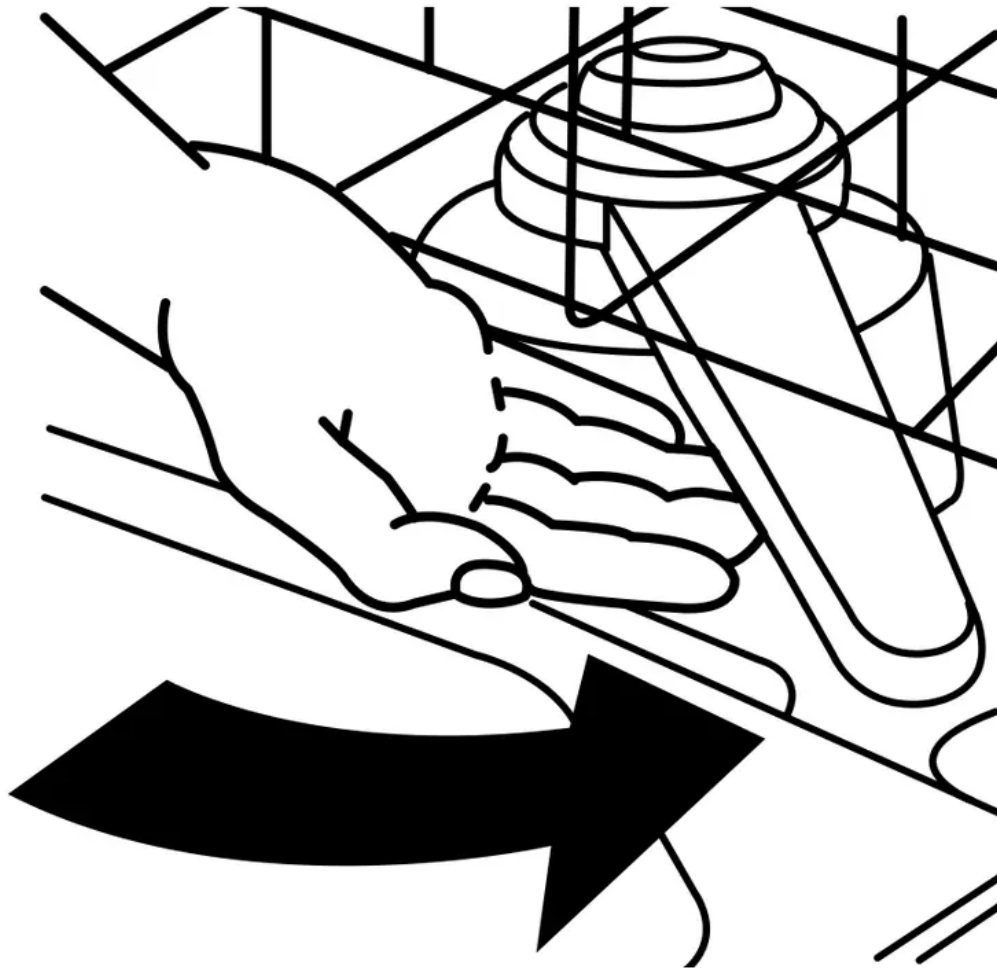


Upper rack

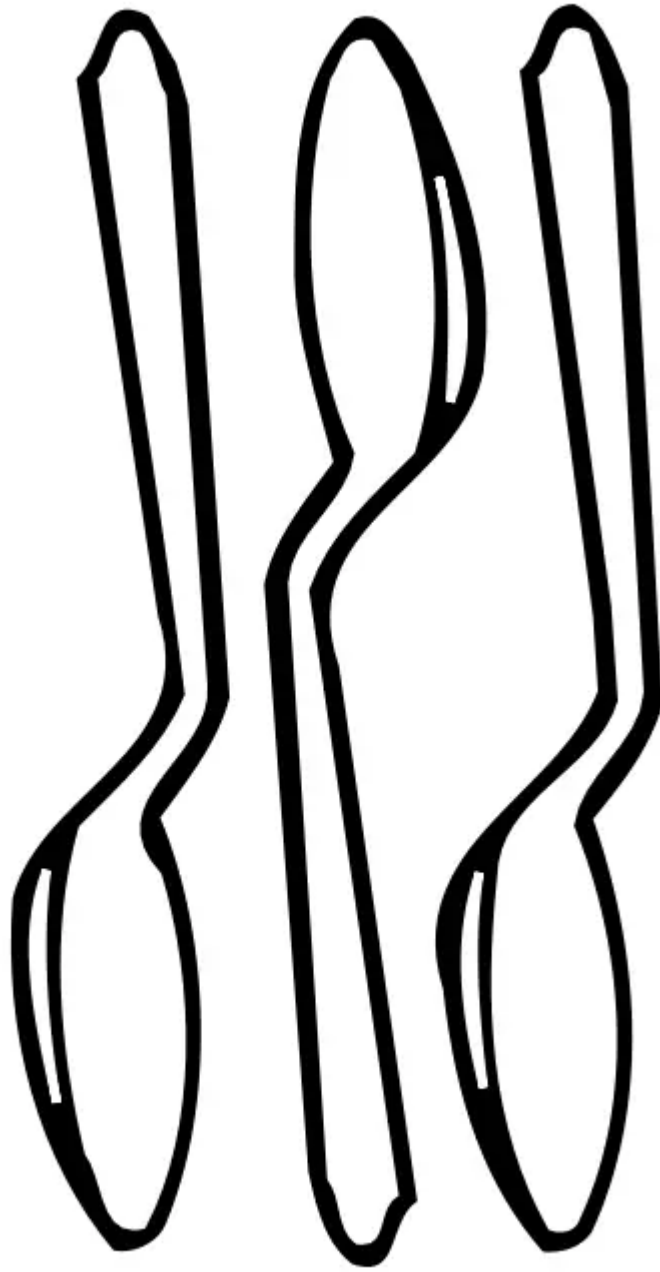


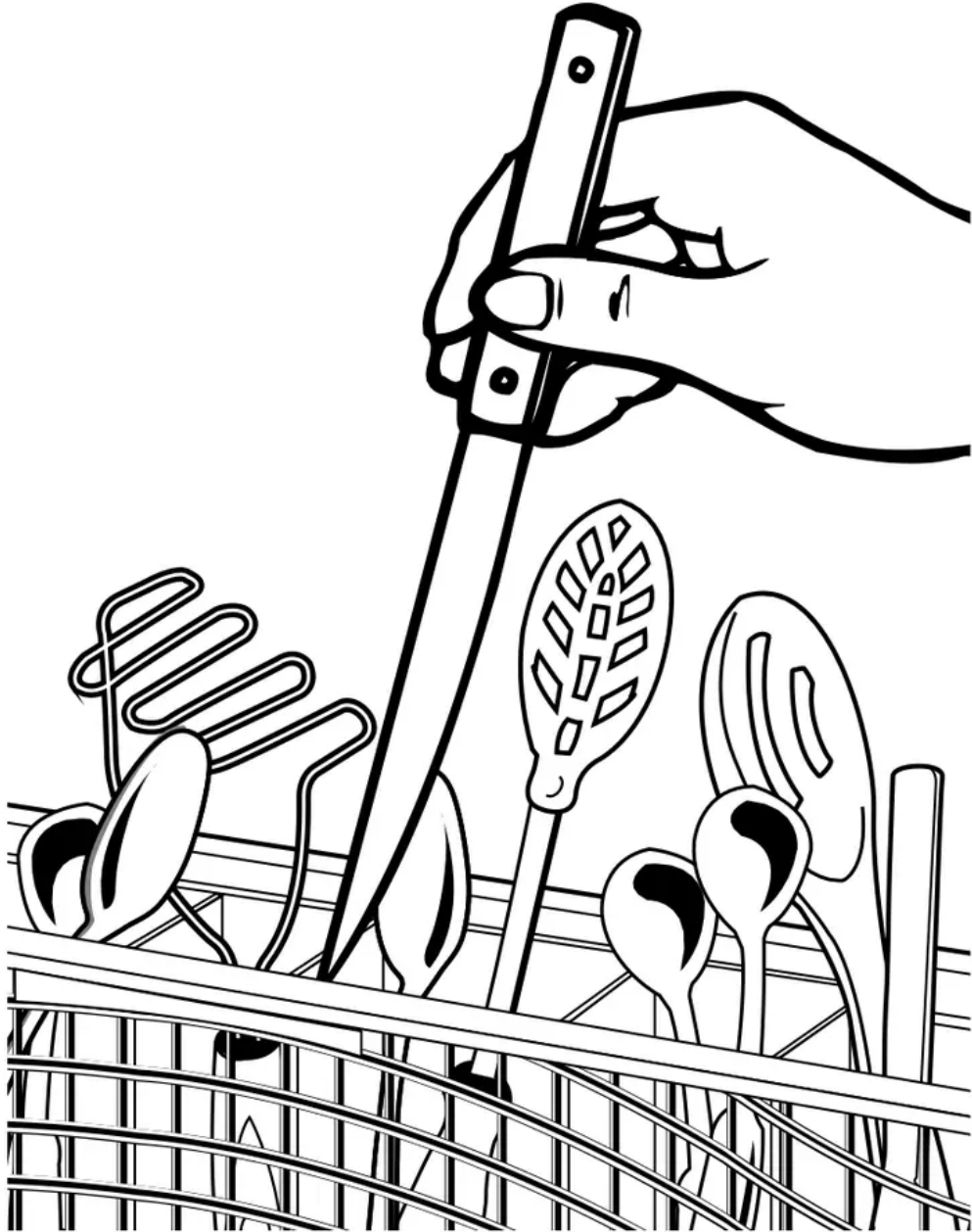
Lower rack

- Make sure nothing keeps spray arm(s) from spinning freely. It is important for the water spray to reach all soiled surfaces.



- Make sure that when the dishwasher door is closed no items are blocking the detergent dispenser.
- Items should be loaded with soiled surfaces facing down and inward to the spray as shown. This will improve cleaning and drying results.
- Avoid overlapping items like bowls or plates that may trap food.
- Place plastics, small plates and glasses in the upper rack. Wash only plastic items marked “dishwasher safe.”
- To avoid thumping/clattering noises during operation: Load dishes so they do not touch one another. Make sure lightweight load items are secured in the racks.
- When loading silverware, always place sharp items pointing down and avoid “nesting” as shown.





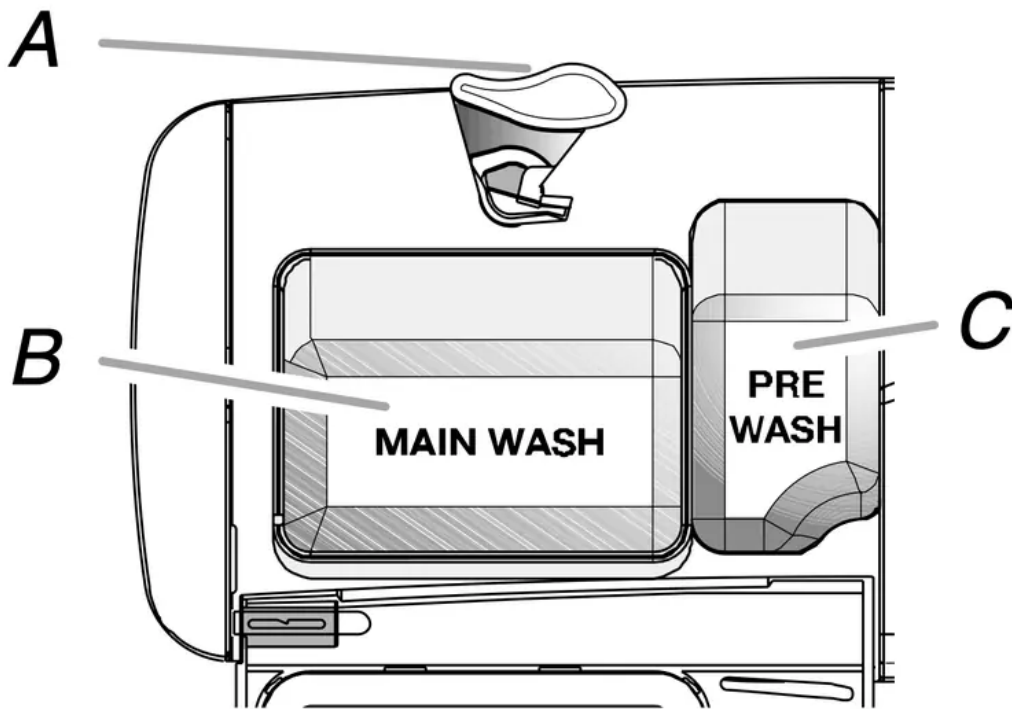
STEP 2

Add Detergent

NOTE: If you do not plan to run a wash cycle soon, run a rinse cycle. Do not use detergent.

- Use automatic dishwasher detergent only. Add powder, liquid or tablet detergent just before starting a cycle.

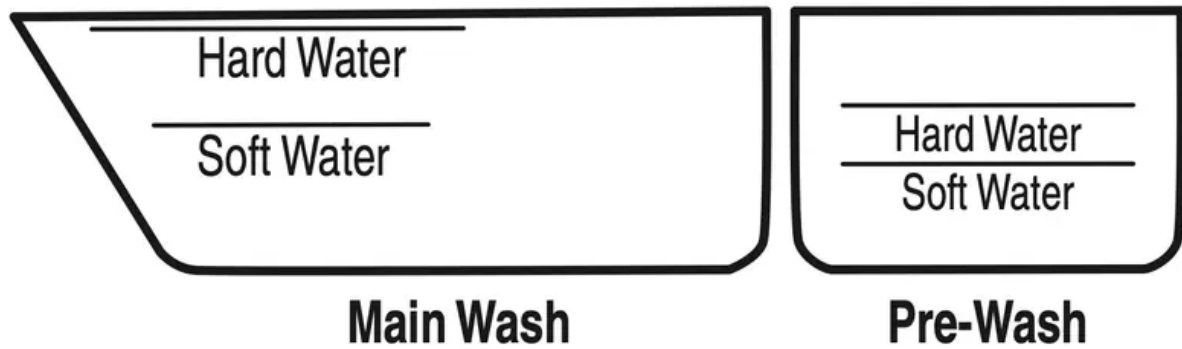
- Fresh automatic dishwasher detergent results in better cleaning. Store tightly closed detergent container in a cool, dry place.



A. Cover latch
B. Main Wash section
C. Pre-Wash section

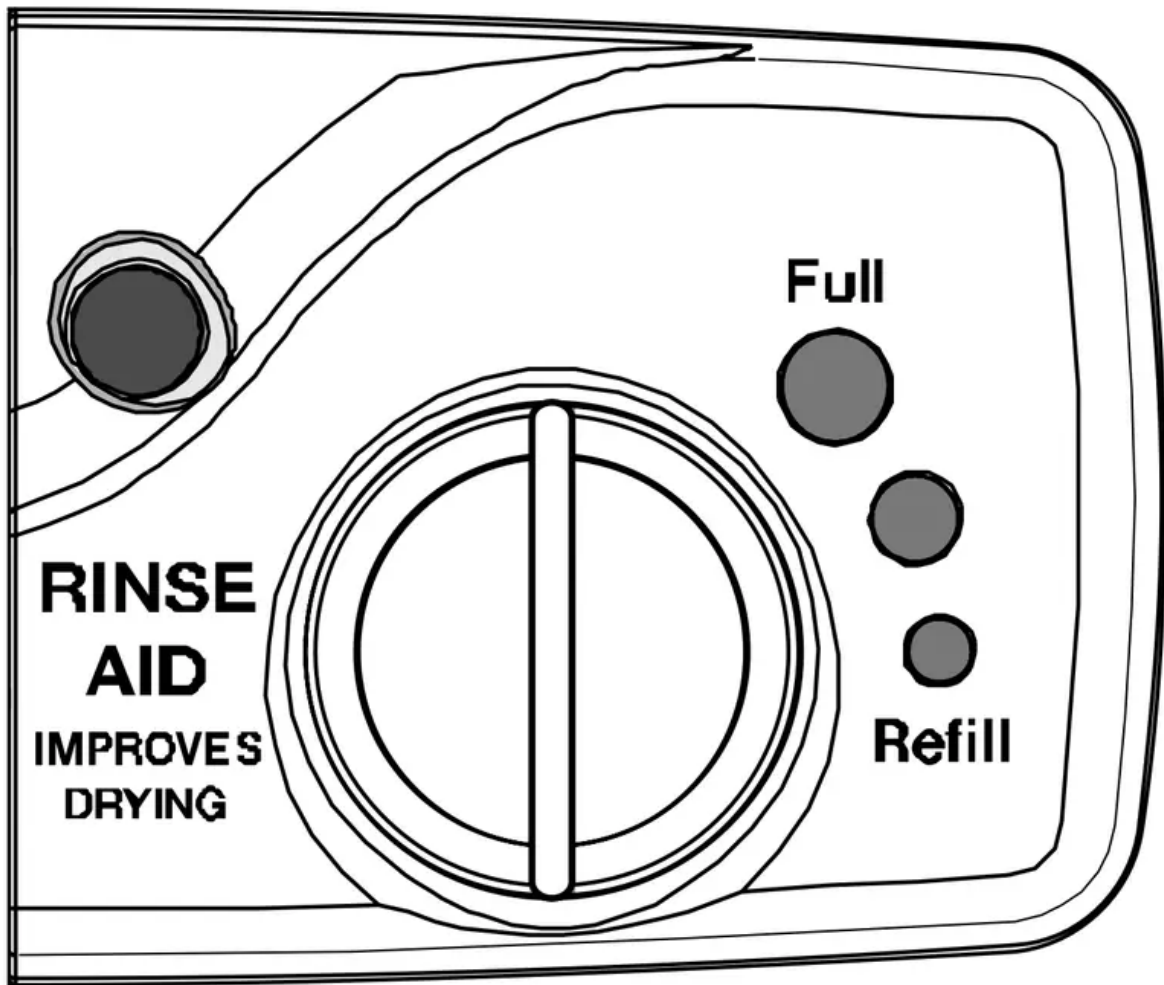
- The amount of detergent to use depends on:
How much soil remains on the items - Heavily soiled loads require more detergent.
The hardness of the water - If you use too little in hard water, dishes won't be clean. If you use too much in soft water, glassware will etch.
Soft to Medium Water (0-6 grains per U.S. gallon)
[typical water softener water and some city water]
Medium to Hard Water (7-12 grains per U.S. gallon)
[well water and some city water]
- Depending on your water hardness, fill the Main Wash section of the dispenser as shown. Fill the Pre-Wash section to the level shown, if needed.

NOTE: Fill amounts shown are for standard powdered detergent. Follow instructions on the package when using other dishwasher detergent.



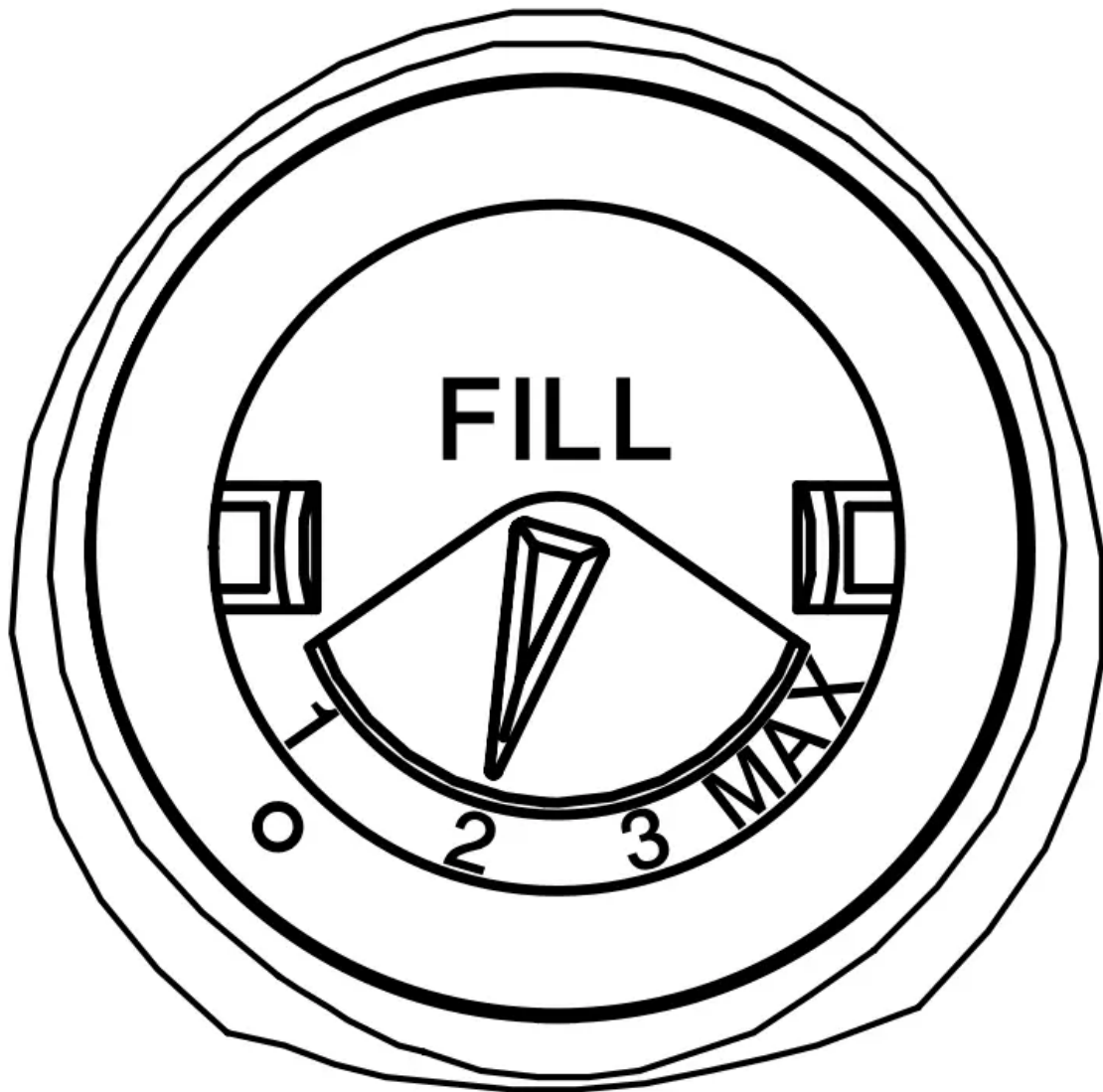
Add Rinse Aid

- Your dishwasher is designed to use rinse aid for good drying performance. Without rinse aid your dishes and dishwasher interior will have excessive moisture. The heat dry option will not perform as well without rinse aid.
- Rinse aid keeps water from forming droplets that can dry as spots or streaks. They also improve drying by allowing water to drain off of the dishes after the final rinse.
- Rinse aid helps to reduce excess moisture on the dish racks and interior of your dishwasher.
- Check the rinse aid indicator. Add rinse aid when indicator drops to “Refill” level.
- To add rinse aid, turn the dispenser cap counterclockwise and lift off. Pour rinse aid into the opening until the indicator window looks full. Replace the dispenser cap and turn clockwise. Make sure cap is fully locked.



1/4 turn to lock

NOTE: For most water conditions, the factory setting of 2 will give good results. If you have hard water or notice rings or spots, try a higher setting. Turn the arrow adjuster inside the dispenser by either using your fingers or inserting a flat-blade screwdriver into the center of the arrow and turning.

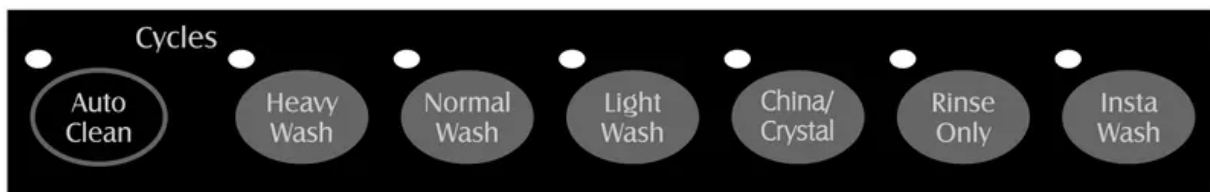


STEP 3

Select a Cycle (cycles vary by model)

See “Cycle and Option Descriptions” charts in the following section.

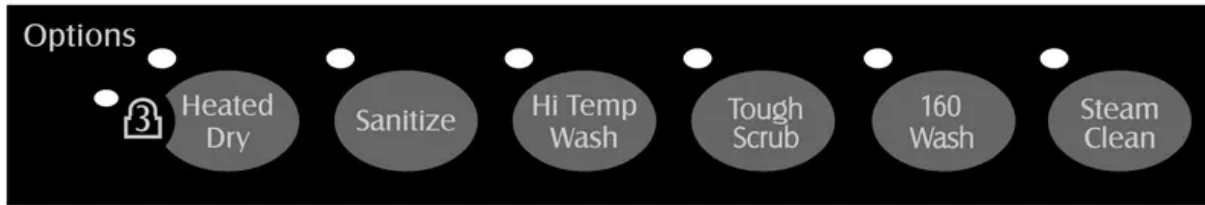
Heavier cycles and options affect cycle length. Some cycles and options will take up to 3½ hours to complete.



Select Options (options vary by model)

See “Cycle and Option Descriptions” charts in the following section.

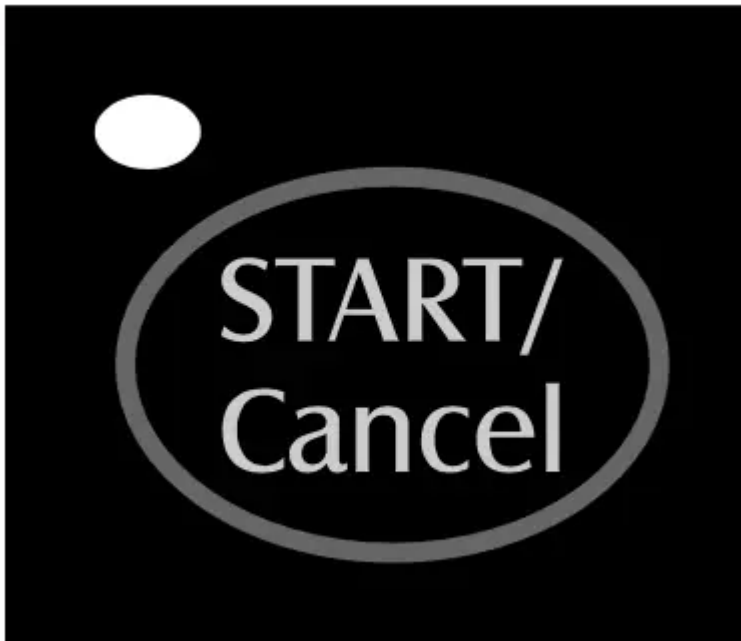
You can customize your cycles by pressing the options desired.



STEP 4

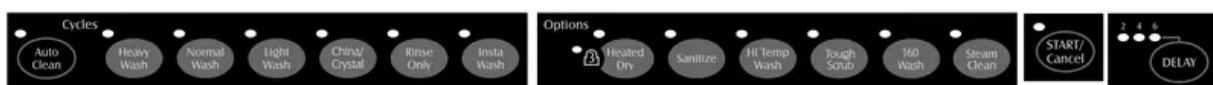
Start or Resume a Cycle

- Run hot water at the sink nearest your dishwasher until the water is hot. Turn off water.










- Push door firmly closed. The door latches automatically. Select the wash cycle and options desired OR press START/Cancel to repeat the same cycle and options as in the previous wash cycle.
- You can add an item anytime before the main wash starts. Open the door slowly and add the item. Close the door firmly. Lights will stop flashing when the door is properly shut. After a slight delay, the cycle resumes automatically at the point of interruption.

Cycle and Option Descriptions



This information covers several different models. Your dishwasher may not have all the cycles and options described.









CYCLE SELECTIONS

CYCLES	DISH LOAD TYPES	DESCRIPTIONS	WASH TIME (HH:MM)		
			Cycle Minimum	Cycle + Options Minimum	*Maximum
	Use for any loads with heavy, normal or light amounts of food soil.	Designed to select the number of water fills best suited for the soil level of each load.	2:11	2:35	3:07
	Use for hard-to-clean, heavily soiled pots, pans, casseroles, and regular tableware.	This cycle forces max time water and heat.	2:12	2:36	3:08
	Use for loads with normal amounts of food soil.	The energy-usage label is based on this cycle.	1:58	2:34	2:54
	Use for lightly soiled items or china and crystal.	During the wash, the wash action will repeatedly pause for several seconds.	1:22	1:58	2:18
	Use for delicate china and crystal.	During the wash, the wash action will repeatedly pause for several seconds.	1:22	1:58	2:18
	Use for rinsing dishes, glasses, and silverware that will not be washed right away.	This cycle does not dry. Do not use detergent.	0:09	0:09	0:09
	Use to quickly wash prerinsed glasses or dish loads.	This cycle does not dry.	0:50	0:50	0:50

You can customize your cycle by selecting an option.



See option selections. If you change your mind, press the option again to turn off the option, or select a different option. You can change an option anytime before the selected option begins.

*Maximum wash times depend on water temperature, heavy soil condition, dish load size and options selected.

OPTIONS	DISH LOAD TYPES	DESCRIPTIONS	USE WITH:
	For best drying results, dry dishes with heat.	Turn OFF when loads contain plastic dinnerware that may be sensitive to high temperatures. This option with the use of rinse aid will provide the best drying performance.	Heavy Wash, Normal Wash, China/Crystal, Insta Wash or Sensor Clean cycles
	To sanitize your dishes and glassware in accordance with NSF/ANSI Standard 184 for Residential Dishwashers.	Raises the water temperature in the final rinse to approximately 154°F (68°C). This high temperature rinse sanitizes your dishes and glassware in accordance with NSF/ANSI Standard 184 for Residential Dishwashers. Certified residential dishwashers are not intended for licensed food establishments. The Sanitize option adds heat and time to the cycle.	Heavy Wash, Normal Wash, Light Wash, China/Crystal or Sensor Clean cycles
	Loads containing tough, baked-on food.	Increases the target water temperature during the wash portions of the cycle. Adds heat, wash time and water to the cycle.	All cycles, except Rinse Only and Insta Wash
	Use for loads with tough food soil.	Depending on which cycle is being used, adds heat and/or wash time to the cycle.	Heavy Wash or Normal Wash
	Use for loads with normal amounts of food soil.	Raises temperature in the final rinse to 160°F (71°C).	All cycles, except Quick Wash and Rinse Only
	Use for loads with normal amounts of food soils; specialized option for stemware and glass cleaning.	Provides deep clean and shine by adding steam to the cycle. Raises the water temperature in the final rinse to approximately 154°F (68°C).	All cycles, except Rinse Only and Insta Wash
	To run your dishwasher at a later time or during off-peak hours.	Delays the start of a cycle up to 9 hours. Select a wash cycle and options. Press Delay. Press Start/Cancel. Close the door firmly.	All cycles, except Rinse Only
Control Lock 	To avoid unintended use of your dishwasher, or cycle and option changes during a cycle.	To turn on Lock, press and hold Heated Dry for at least 3 seconds. To turn off Lock, press and hold Heated Dry for at least 3 seconds. When Control Lock is lit, all buttons are disabled. If you press any pad while your dishwasher is locked, the light flashes 5 times. The dishwasher door can be opened while the controls are locked.	Anytime

IMPORTANT: The sensor in your dishwasher monitors the soil level. Cycle time and/or water usage can vary as the sensor adjusts the cycle for the best wash performance. If the incoming water is less than the recommended temperature or food soils are heavy, the cycle will automatically compensate by adding time, heat and water as needed.

CONTROLS AND CYCLE STATUS

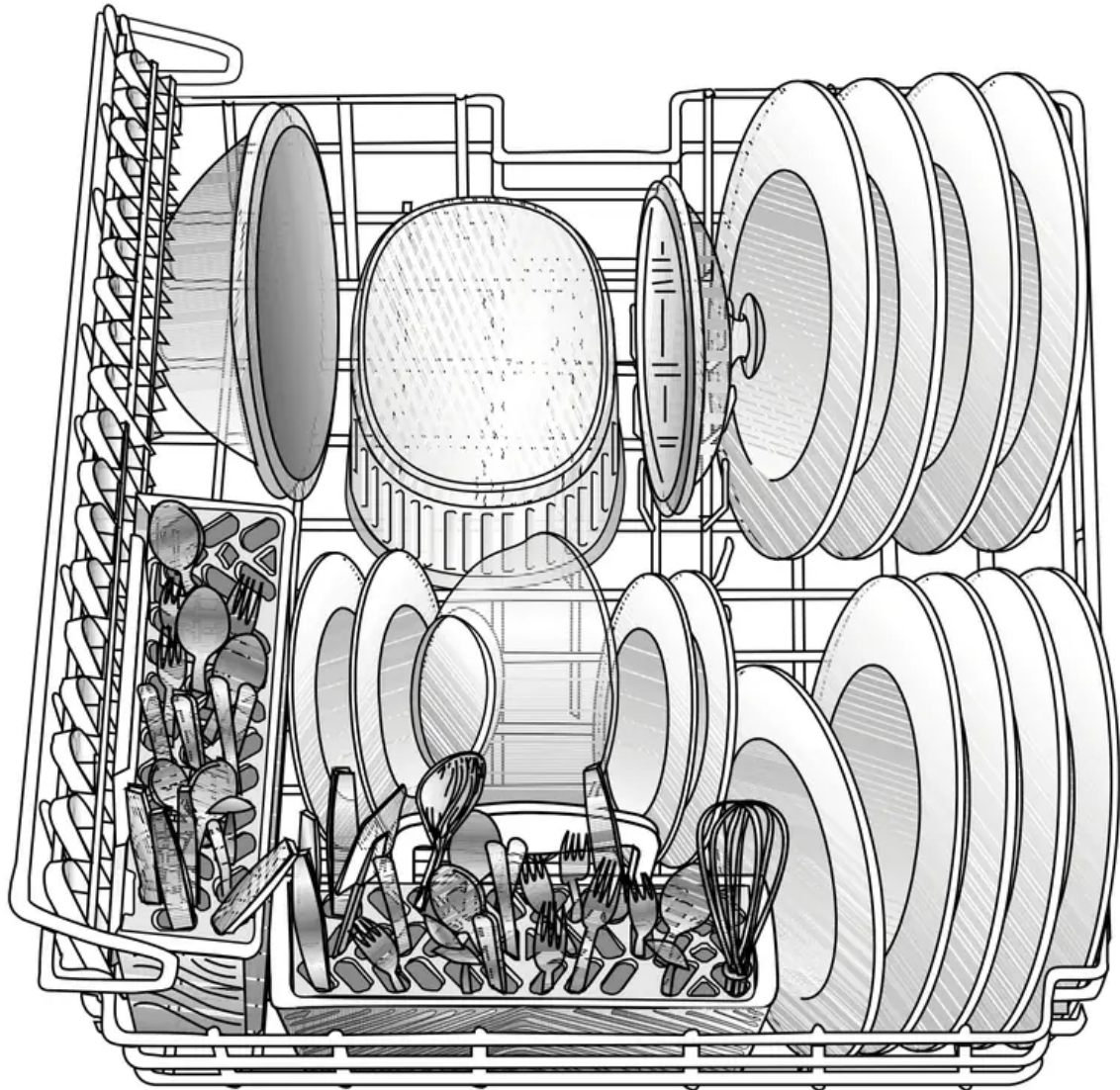
CONTROL	PURPOSE	COMMENTS
	To start or resume a wash cycle	If the door is opened during a cycle or the power is interrupted, all lights will flash to indicate suspended cycle. The cycle will not resume until the door is closed.
	To follow the progress and status of your dishwasher cycle	Clean indicator glows when a cycle is finished. If you select the Sanitize option, when the Sanitize cycle is finished, the Sanitized indicator glows. If your dishwasher did not properly sanitize your dishes, the light will not come on. This can happen if the cycle is interrupted, or the water could not be heated to the required temperature. The clean and sanitize lights go off when the door has been opened for more than 30 seconds or the CANCEL key is pressed.

Dishwasher Features

Your Maytag dishwasher may have some or all of these features.

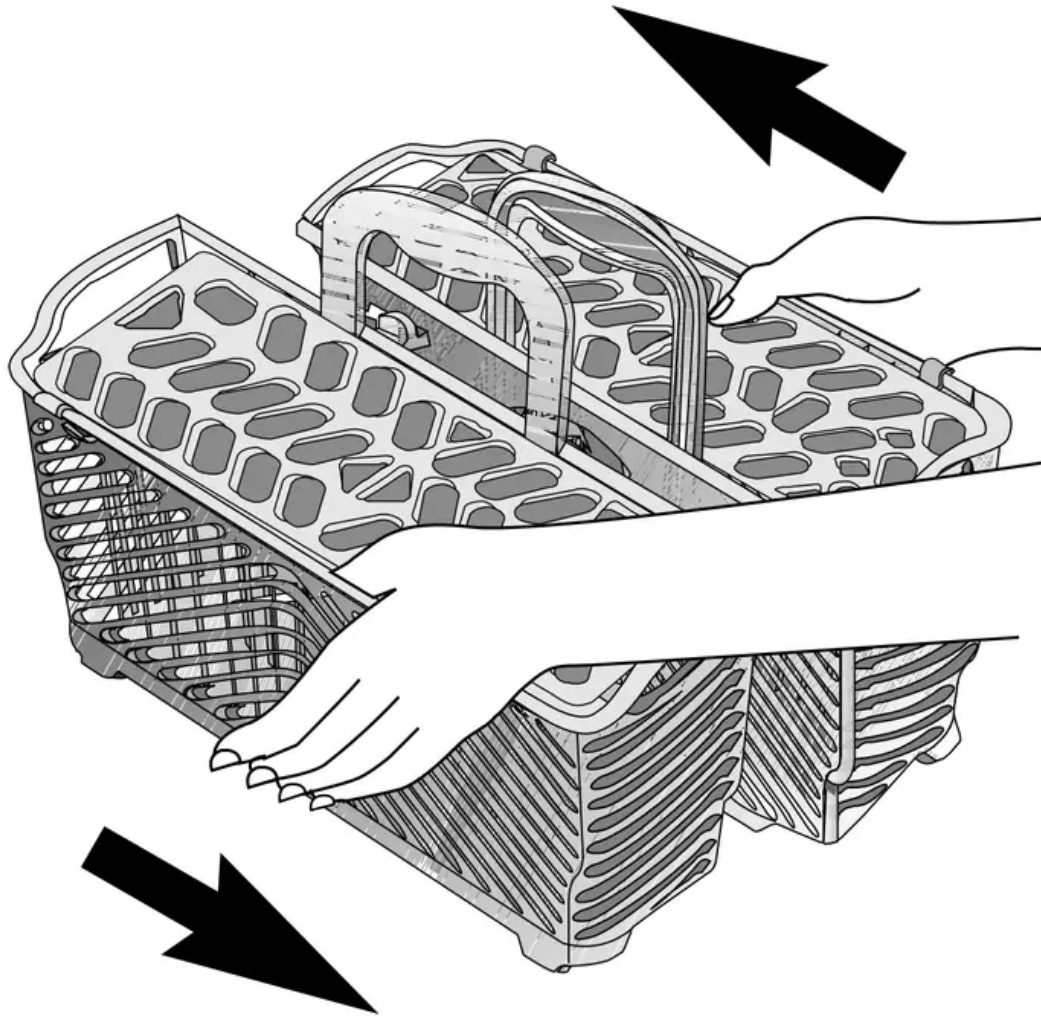
Split & Fit™ Utensil Basket

The split silverware basket can be separated and placed in various locations in the lower rack. Load flatware and utensils into both sections or just one, depending on your load.



To split the basket:

Hold the basket firmly along the sides. Unlock the baskets.



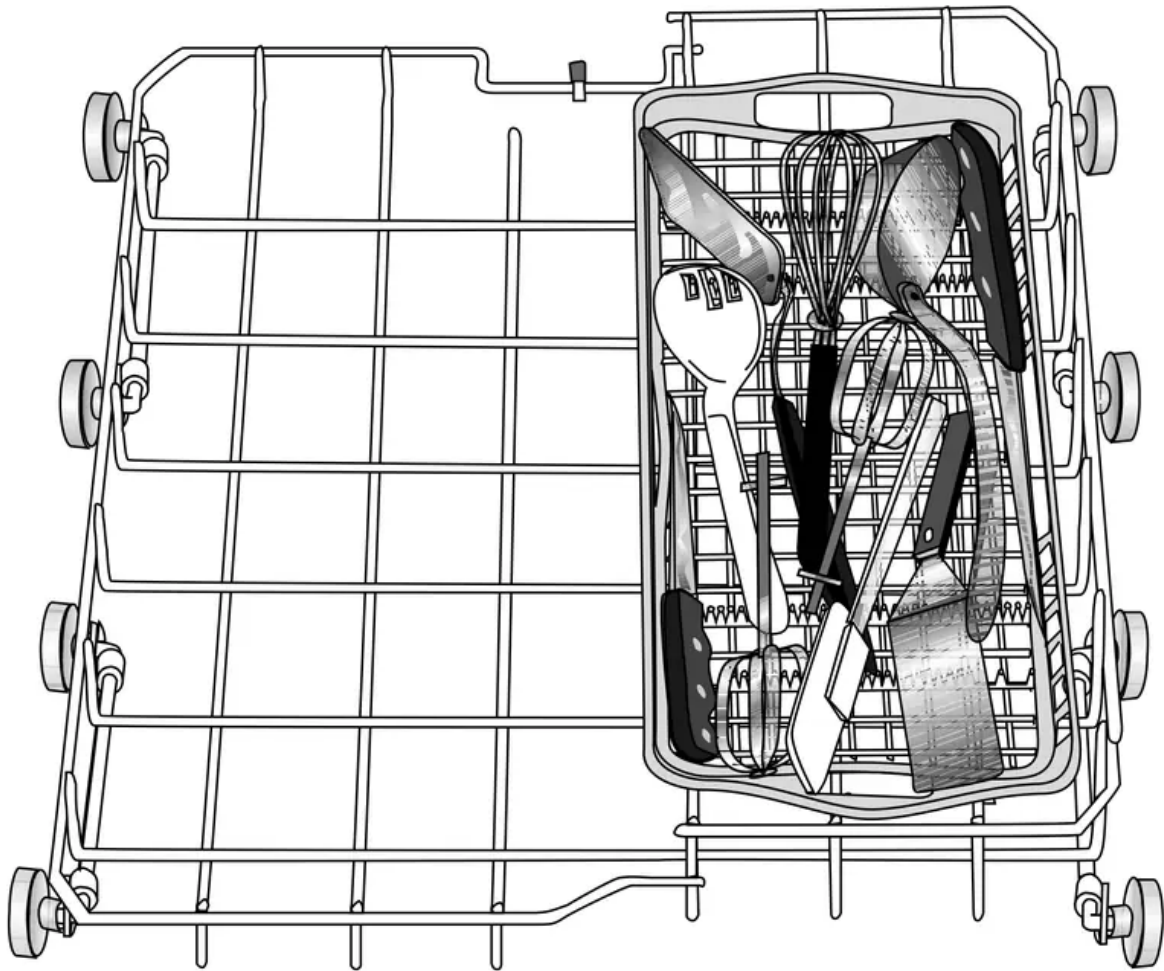
Auxiliary Basket (select models)

Use this supplemental basket in the upper or middle rack for loading miscellaneous items and utensils. This is also a proper place to load sharp knives and pointed items.



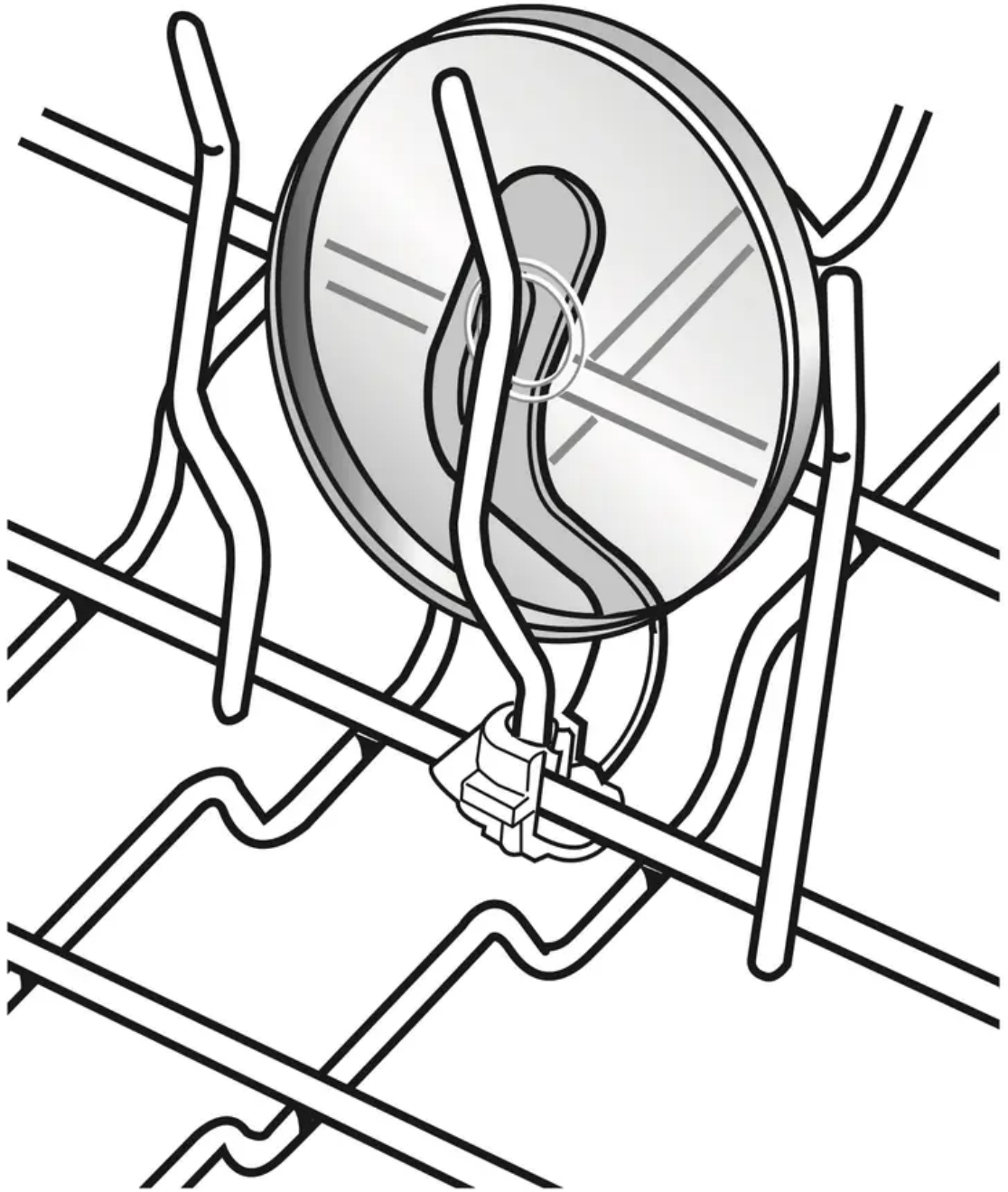
Utility Basket for Lower Rack (select models)

This basket is designed to load miscellaneous items such as silverware, cooking utensils, knives and other larger utensils.



Cup Clips

The Cup Clips located in the center of the upper rack can be used to hold lightweight plastic items, cooking utensils and knives in place. Clip the item between the tine and the clip.

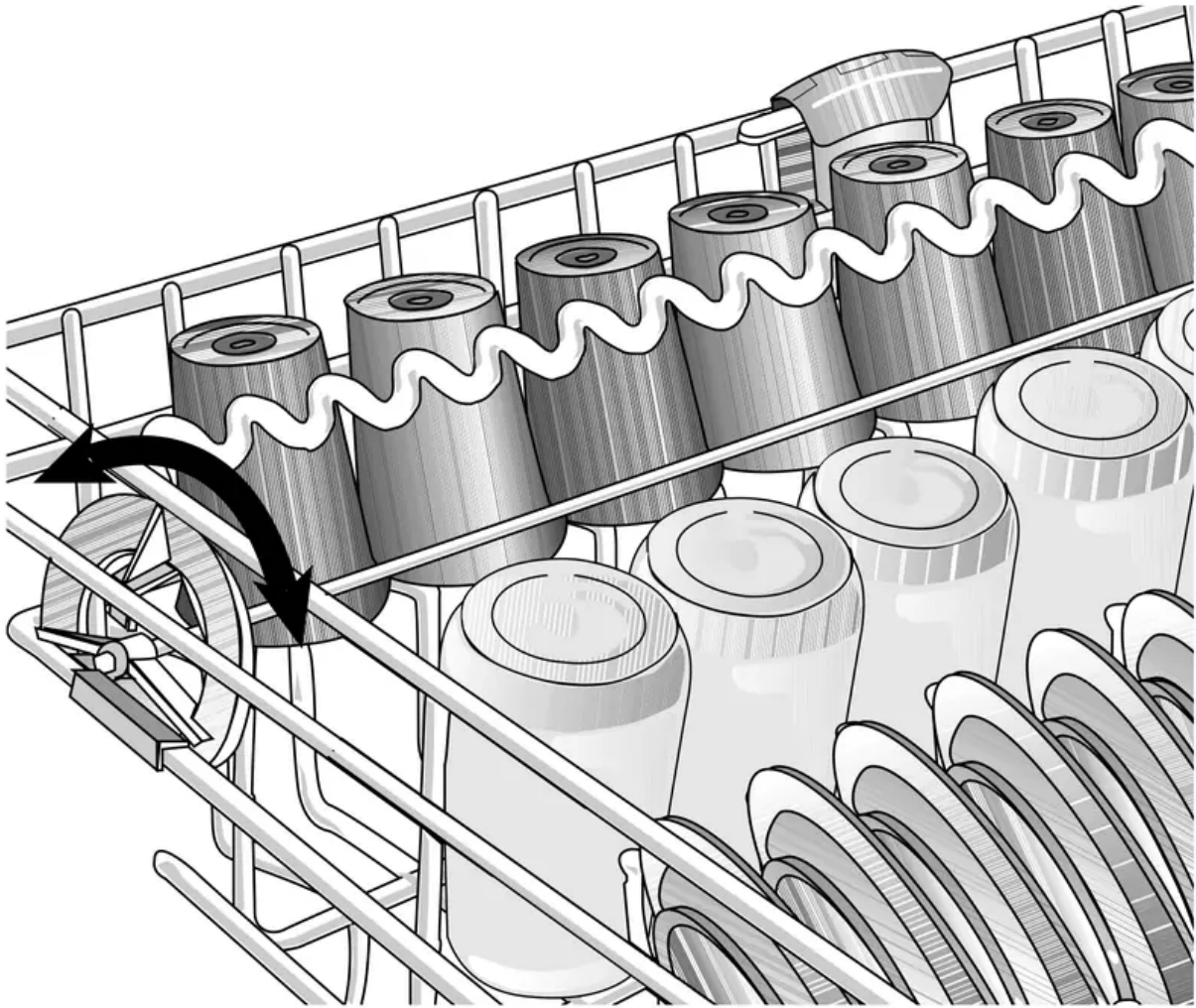


Vari-Lock™ Snugger

The Vari-Lock™ Snugger holds lightweight plastic items such as cups, lids, or bowls in place during washing.

To adjust the Vari-Lock™ Snugger:

Grasp the wavy wire and rotate it to the left to snug items against the outer rack or rotate it to the right to rest on top of light items.

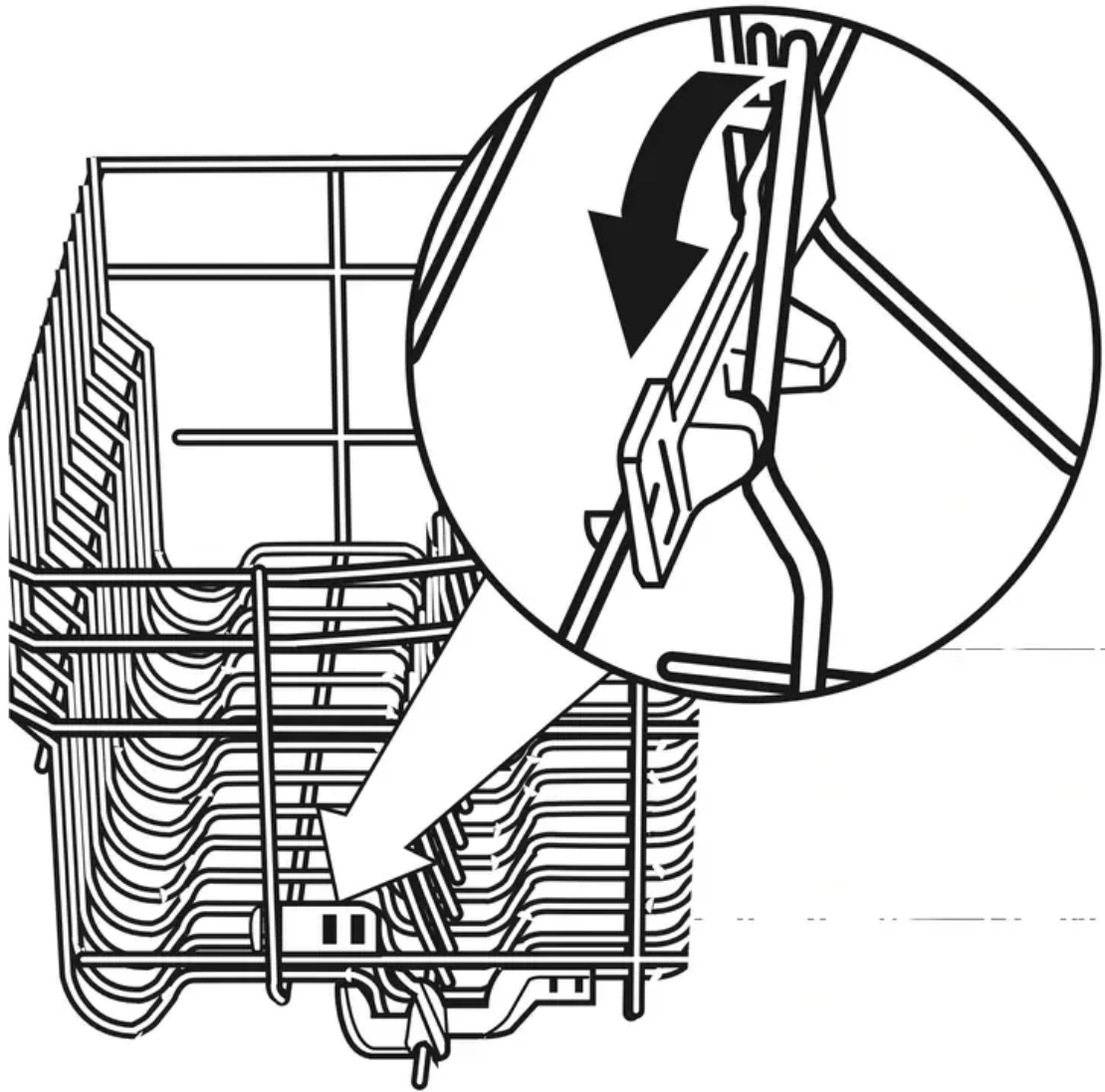


Folding Tines

The Folding Tines located in the front right corner (upper rack) provide convenient loading space for large, bulky items such as pots, pans and mixing bowls.

To lower the tines:

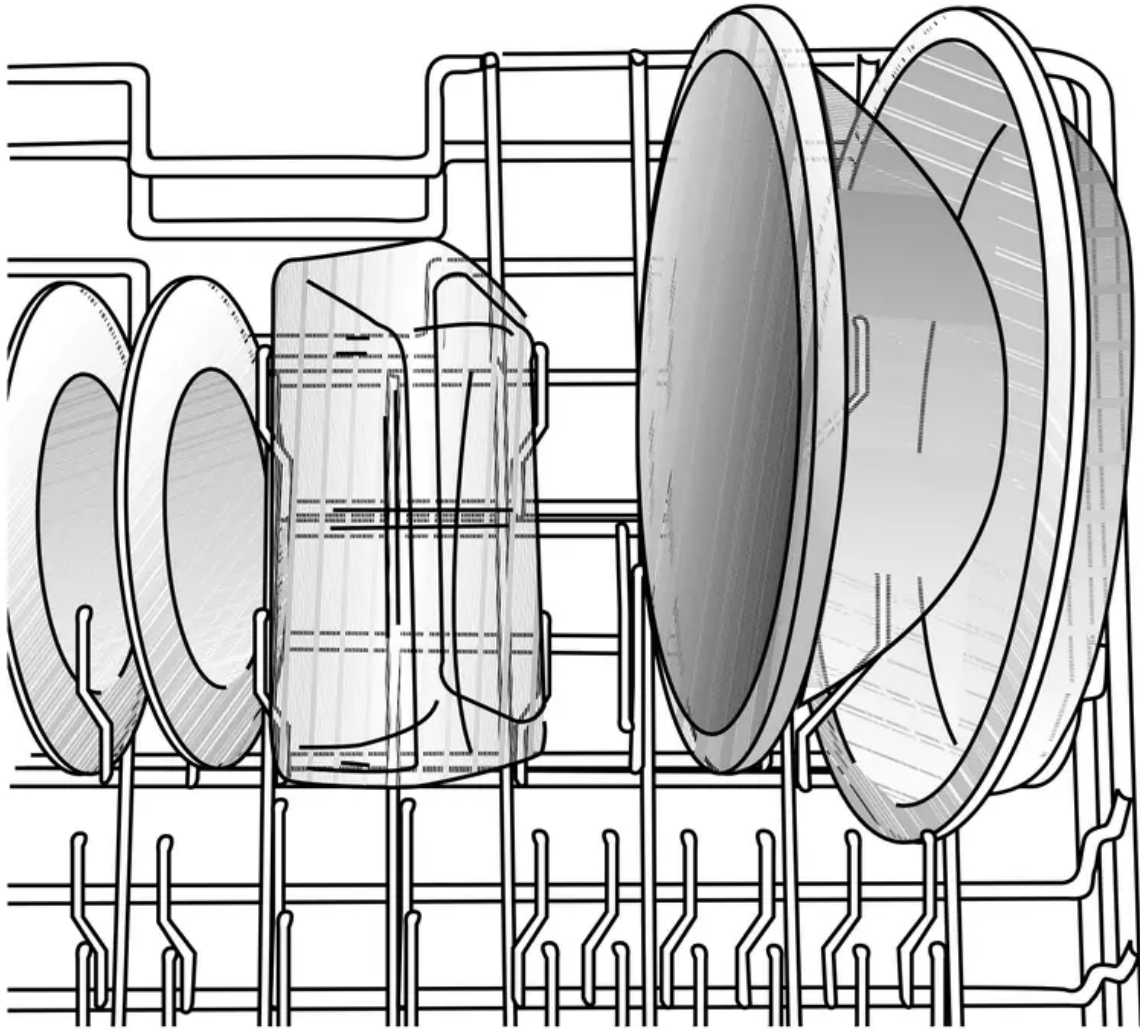
Gently push the tines out of each holder toward the center rack and lay the tines down.



Convertible Tines

The Convertible Tines in the back, right corner can be adjusted to provide narrow spacing for loading plates or wide spacing for loading deep bowls, pots or pans. Flip tines up for narrow spacing or down for wider spacing.

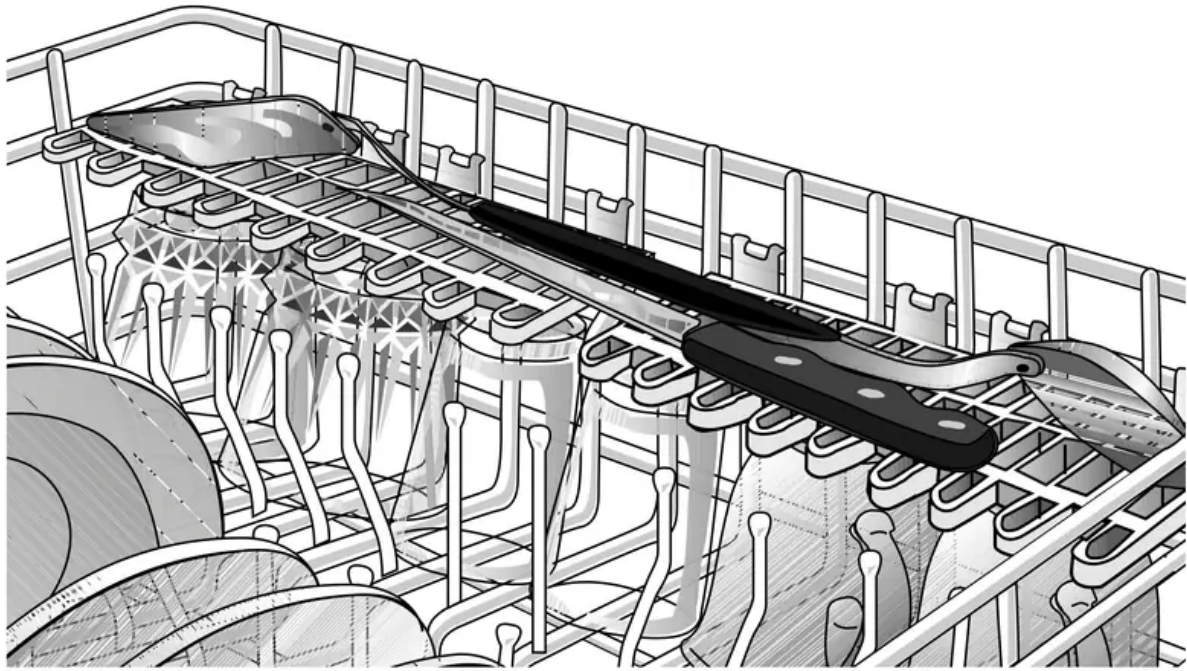




Stack-Rack™

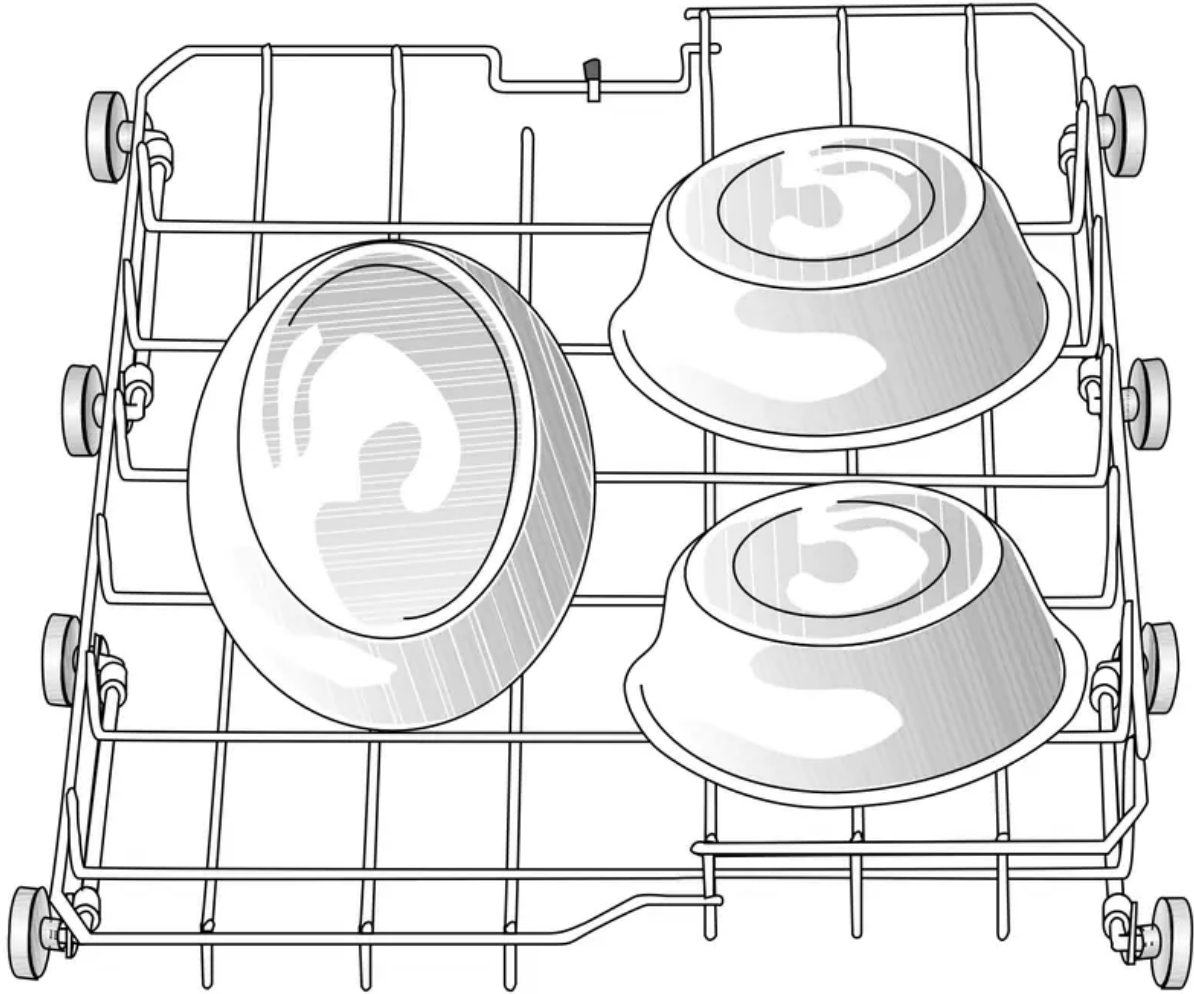
Fold down the extra shelf on the right-hand side of the upper rack to hold additional cups, stemware or long items such as utensils and spatulas.





Lower Flexload™ Rack

A variety of large items such as casserole dishes, baking pans, mixing bowls, and pots and pans can be loaded in the lower rack. When deeper dishes or pots and pans are located in this rack, the middle rack can be raised. To accommodate exceptionally large, occasionally used items such as a canner on the lower Flexload™ rack, the middle rack can be removed. For good wash action, place items with soiled surfaces face down in the rack.



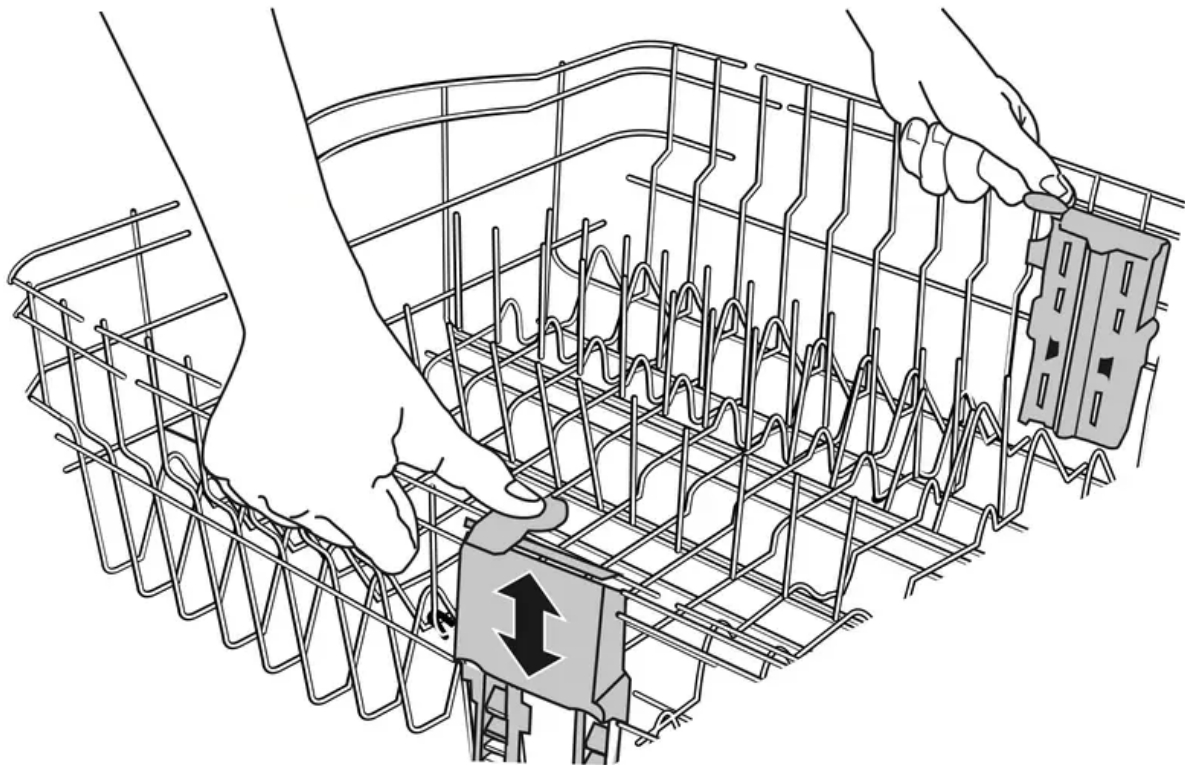
Adjustable Racks (upper and mid level)

The Adjustable Upper Rack and Adjustable Middle Rack can be raised or lowered to accommodate taller plates, platters, pots or pans, in the upper, middle or lower racks. Full size dinner plates can be loaded in the upper rack if it is in the lower position.

NOTE: Always unload racks before adjusting.

To raise the rack, press both rack adjusters and lift the rack until it is in the Up position and level.

To lower the rack, press both rack adjusters and slide the rack back to its lower position.



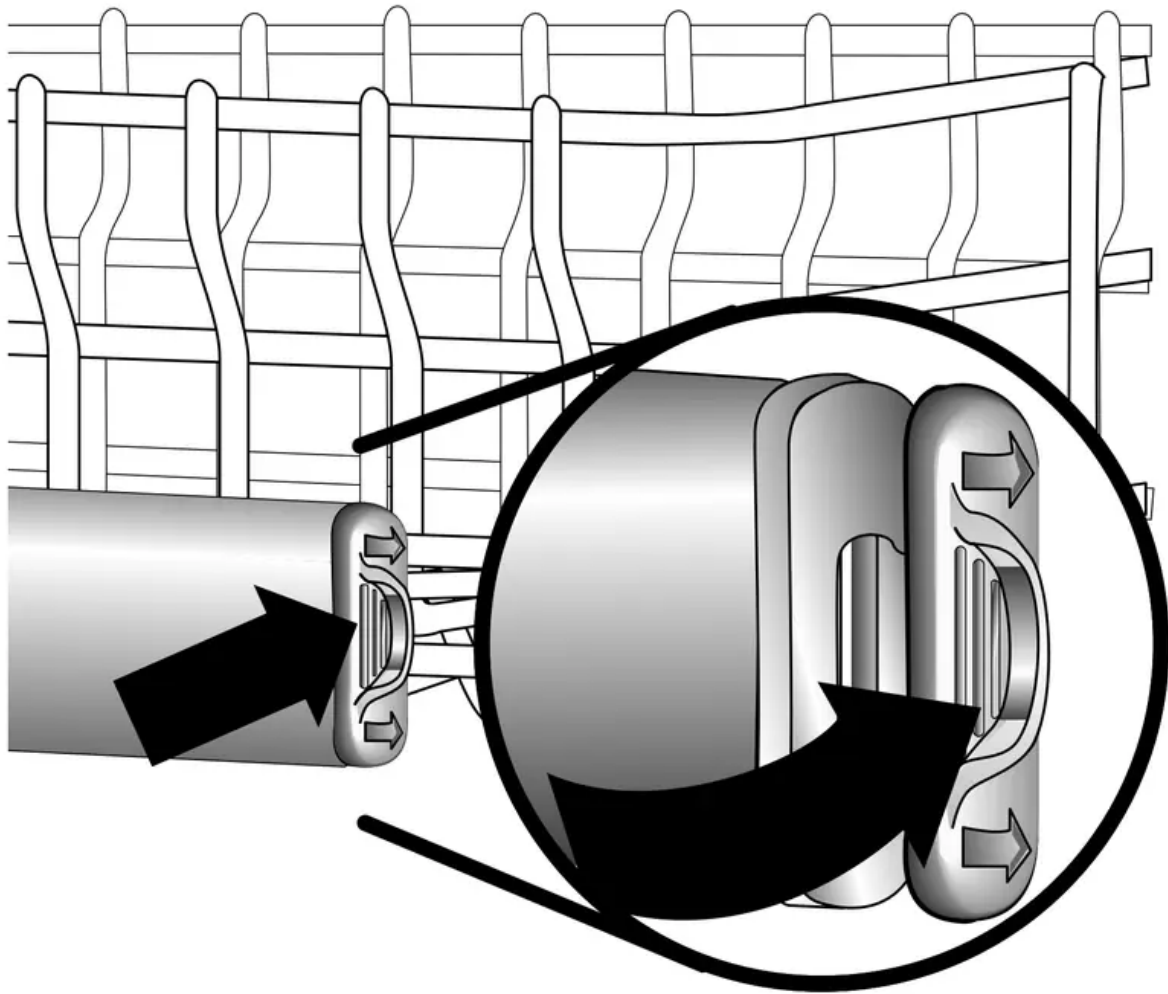
Removable Upper and Middle Racks

The removable racks allow you to wash larger items such as stock pots, roasters, and cookie sheets in the lower level rack.

IMPORTANT: Remove dishes prior to removing the middle rack from the dishwasher.

To remove the rack (push tab rack stop):

1. Roll the rack $\frac{1}{3}$ to $\frac{1}{2}$ of the way out.
2. Remove each plastic push tab rack stop from the end of each track by pushing inward toward the rack on the ridged area of the rack stop. The rack stop will snap open and can be easily removed by pulling straight out. Be sure to support the track while removing rack stops.
3. Roll the rack all the way out of the track and remove from the dishwasher.

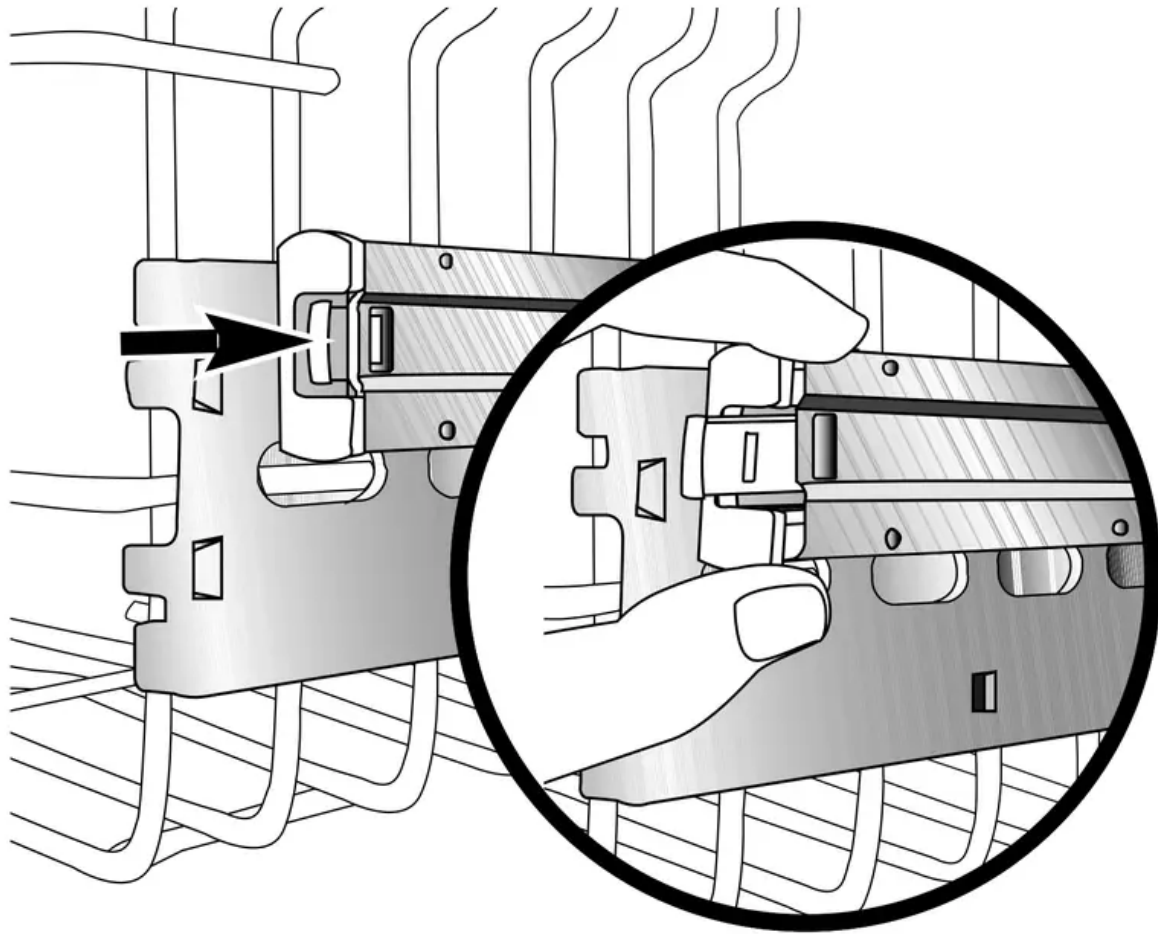


To replace the rack:

Reverse the above steps 1-3 to replace the rack into the dishwasher.

To remove the racks (tab-lock rack stops)

1. Roll the rack $\frac{1}{3}$ to $\frac{1}{2}$ of the way out.
2. Locate the rack stops at the end of each track. Squeeze the tab in the middle of the rack stop and pull the rack straight out. Be sure to support the rack while removing the rack stops.
3. Roll the rack all the way out of the track and remove from the dishwasher.



To Replace:

1. Replace the dishwasher rack by guiding the wheels into the tracks.
2. Push each rack stop squarely into the end of the track until the catch pops into the small hole on the side of the track.

Dishwasher Care

Cleaning the Dishwasher

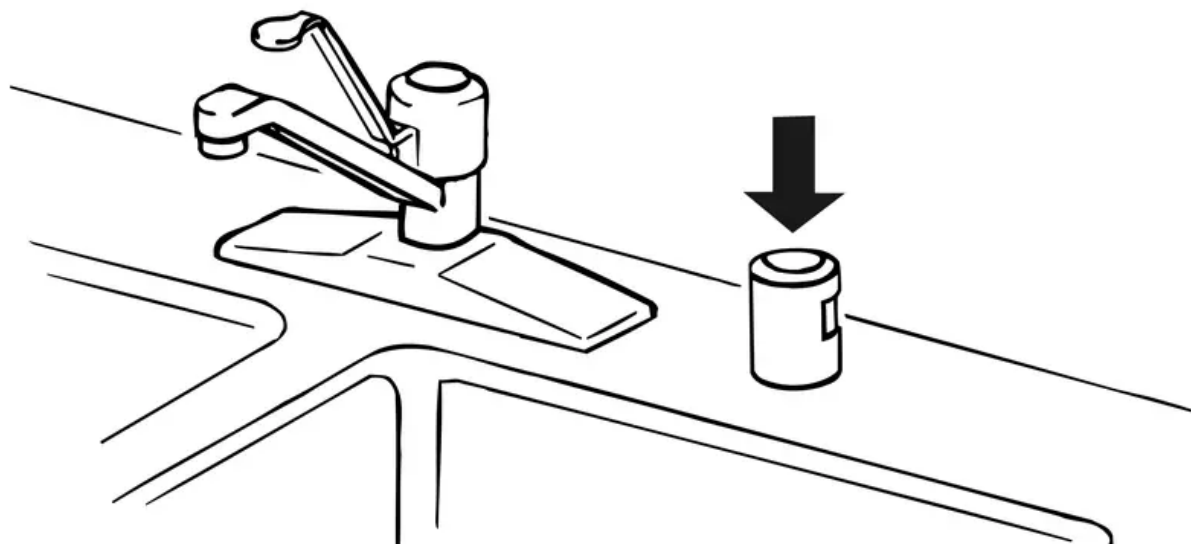
Clean the exterior of the dishwasher with a soft, damp cloth and mild detergent. If your dishwasher has a stainless steel exterior, a stainless steel cleaner is recommended - Stainless Steel Cleaner and Polish Part Number 31464.

Clean the interior of the dishwasher, with a paste of powdered dishwasher detergent and water or use liquid dishwasher detergent on a damp sponge to clean the cooled-down interior.

A white vinegar rinse may remove white spots and film. Vinegar is an acid, and using it too often could damage your dishwasher.

Put 2 cups (500 mL) white vinegar in a glass or dishwasher-safe measuring cup on the bottom rack. Run the dishwasher through a complete washing cycle using an air-dry or an energy-saving dry option. Do not use detergent. Vinegar will mix with the wash water.

If you have a drain air gap, check and clean it if the dishwasher isn't draining well.



Storing the Dishwasher

If you will not be using the dishwasher during the summer months, turn off the water and power supply to the dishwasher. In the winter, if the dishwasher could be exposed to near freezing temperatures or is left in a seasonal dwelling such as a second home or vacation home, avoid water damage by having your dishwasher winterized by authorized service personnel.

Troubleshooting

Dishwasher is not operating properly

- **Dishwasher does not run or stops during a cycle**

Is the door closed tightly and latched?

Is the right cycle selected?

Is there power to the dishwasher? Has a household fuse blown, has a circuit breaker tripped? Replace the fuse or reset the circuit breaker. If the problem continues, call an electrician.

Has the motor stopped due to an overload? The motor automatically resets itself within a few minutes. If it does not restart, call for service.

Is the water shutoff valve (if installed) turned on?

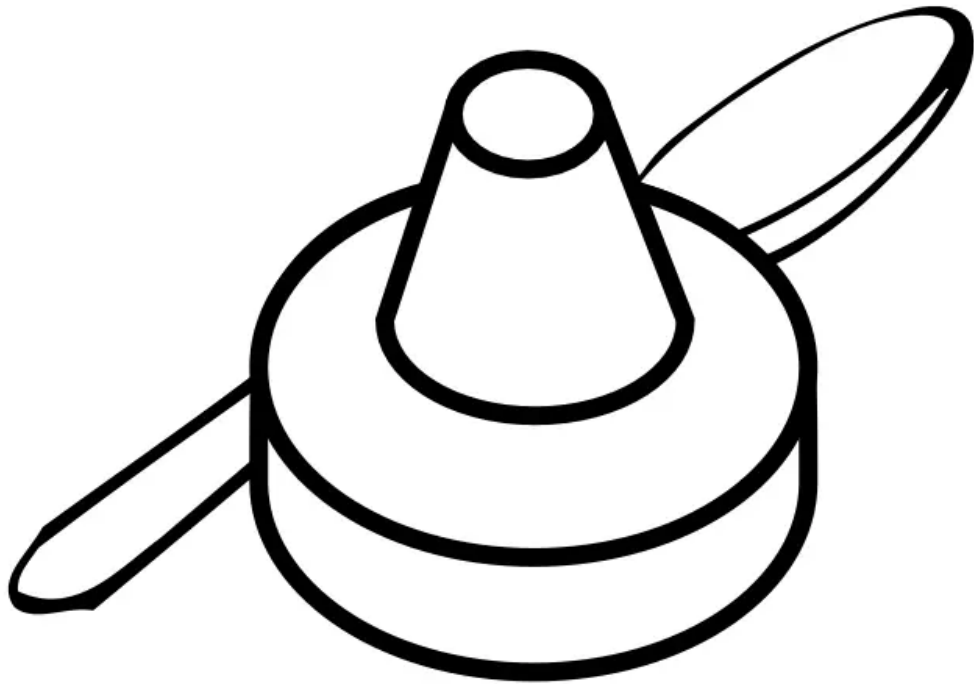
It is normal for certain cycles to repeatedly pause for several seconds during the main wash.

- **The Clean light is flashing**

Call for service.

- **Dishwasher will not fill**

Is the overfill protection float able to move up and down freely? Press down to release.



- **Dishwasher seems to run too long**

The dishwasher can run up to 3½ hours depending on soil level, water temperature, cycles and options.

Is the water supplied to the dishwasher hot enough? The dishwasher runs longer while heating water.

Is the dishwasher cycle time within the cycle times? See cycle sections wash times. A delay automatically occurs in some wash and rinse cycles until the water reaches the proper temperature.

This dishwasher is equipped with an optical sensor wash that detects water temperature, soil and detergent amount. Wash cycles are adjusted based on what is sensed.

IMPORTANT: The very first wash cycle after installation in your home will be adjusted to include an additional 2 rinses. This cycle must not be interrupted for proper sensor adjustment. If this adjustment cycle is canceled or stopped before the Clean light comes on at the end of the cycle, the next wash cycle will repeat this sensor adjustment.

- **Water remains in the dishwasher**

Is the cycle complete?

- **Detergent remains in the covered section of the dispenser**

Is the cycle complete?

Is the detergent lump-free? Replace detergent if necessary.

- **White residue on the front of the access panel**

Was too much detergent used?

Is the brand of detergent making excess foam? Try a different brand to reduce foaming and eliminate buildup.

- **Odor in the dishwasher**

Are dishes washed only every 2 or 3 days? Run a rinse cycle once or twice a day until you have a full load.

Does the dishwasher have a new plastic smell? Run a vinegar rinse as described in “Dishwasher Care.”

- **Condensation on the kitchen counter (built-in models)**

Is the dishwasher aligned with the countertop? Moisture from the vent in the dishwasher console can form on the counter. Refer to the Installation Instructions for more information.

Dishes do not dry completely

- **Dishes do not dry completely**

Did you use a rinse aid? Your dishwasher is designed to use rinse aid for good drying performance. Without rinse aid your dishes and dishwasher interior will have excessive moisture. The heat dry option will not perform as well without rinse aid.

- **Dishes are not dry**

Did you load your dishwasher to allow proper water drainage? Do not overload. Use a liquid rinse aid to speed drying.

Are the plastics wet? Plastics often need towel drying.

Is the rinse aid dispenser empty?

Did you use an air-dry or energy-saving dry option? Use a heated drying option for dryer dishes.

- **Excess moisture on racks and dishwasher interior**

Check the rinse aid indicator to see that there is rinse aid in the dispenser.

Spots and stains on dishes

- **Spotting and filming on dishes**

Is your water hard, or is there a high mineral content in your water? Conditioning the final rinse water with a liquid rinse aid helps eliminate spotting and filming. Keep the rinse aid dispenser filled. Always use a high-temp option. If your water hardness is 13 grains or above, it is strongly recommended that you install a home water softener. If you do not wish to drink softened water, have the softener installed onto your hot water supply.

Is the water temperature too low? For best dishwashing results, water should be 120°F (49°C) as it enters the dishwasher.

Did you use the correct amount of effective detergent? Use recommended dishwasher detergents only. Do not use less than 1 tbs (15 g) per load. Detergent must be fresh to be effective. Heavy soil and/or hard water generally require extra detergent.

Is the home water pressure high enough for proper dishwasher filling? Home water pressure should be 20 to 120 psi (138 to 828 kPa) for proper dishwasher fill. If you have questions about your water pressure, call a licensed, qualified plumber.

NOTE: To remove spots and film from glassware, remove all silverware and metal items and run a vinegar rinse as described in “Dishwasher Care.”

- **Silica film or etching (silica film is a milky, rainbow-colored deposit; etching is a cloudy film)**

Sometimes there is a water/chemical reaction with certain types of glassware. This is usually caused by some combination of soft or softened water, alkaline washing solutions, insufficient rinsing, overloading the dishwasher, and the heat of drying. It might not be possible to avoid the problem, except by hand washing.

To slow this process use a minimum amount of detergent but not less than 1 tbs (15 g) per load. Use a liquid rinse aid and underload the dishwasher to allow thorough rinsing. Silica film and etching are permanent and cannot be removed. Do not use heated drying.

- **White spots on cookware with nonstick finish**

Has the dishwasher detergent removed cookware seasoning? Reseason cookware after washing it in the dishwasher.

- **Brown stains on dishes and dishwasher interior**

Does your water have high iron content? Rewash dishes using 1-3 tsp (5-15 mL) of citric acid crystals added to the covered section of the detergent dispenser. Do not use detergent. Follow with a Normal wash cycle with detergent. If treatment is needed more often than every other month, the installation of an iron removal unit is suggested.

- **Black or gray marks on dishes**

Are aluminum items rubbing dishes during washing? Disposable aluminum items can break down in the dishwasher and cause marking. Hand wash these items. Remove aluminum markings by using a mild abrasive cleaner.

- **Orange stains on plastic dishes or dishwasher interior**

Are large amounts of tomato-based foods on dishes placed in the dishwasher? It may be necessary to use a stain removal product to remove stains from your dishwasher. Stains will not affect dishwasher performance.

Noises

- **Grinding, grating, crunching or buzzing sounds**

A hard object has entered the wash module (on some models). When the object is

ground up, the sound should stop. If the noise persists after a complete cycle, call for service.

Dishes are not completely clean

- **Food soil left on the dishes Is the dishwasher loaded correctly?**

Did you choose the cycle that describes the most difficult soil in your dishwasher? If you have some items with heavier soils, use a heavier cycle.

Is the water temperature too low? For best dishwashing results, water should be 120°F (49°C) as it enters the dishwasher.

Did you use the correct amount of fresh detergent? Use recommended dishwasher detergents only. Do not use less than 1 tbs (15 g) per load. Detergent must be fresh to be effective. Heavy soil and/or hard water generally require extra detergent.

Is detergent caked in dispenser? Use fresh detergent only. Do not allow detergent to sit for several hours in a wet dispenser. Clean dispenser when caked detergent is present.

Is the pump or spray arm clogged by labels from bottles and cans?

Is the home water pressure high enough for proper dishwasher filling? Home water pressure should be 20 to 120 psi (138 to 828 kPa) for proper dishwasher fill. If you have questions about your water pressure, call a licensed, qualified plumber.

Are high suds slowing the wash arm? Do not use soap or laundry detergents. Use recommended dishwasher detergents only.

Dishes are damaged during a cycle

- **Chipping of dishes**

Did you load the dishwasher properly? Load the dishes and glasses so they are stable and do not strike together from washing action. Minimize chipping by moving the rack in and out slowly.

NOTE: Antiques, feather-edged crystal, and similar types of china and glassware might be too delicate for automatic dishwashing. Wash by hand.

Warning

This content is compiled from multiple sources and is provided for reference purposes only. It may not be complete or fully applicable to all situations. If you are unable to resolve your issue, please contact the product manufacturer or an authorized service provider for official support.