

User Manual Garage Door Opener



Introduction

For use with Chamberlain garage door openers manufactured after January 1, 1993. The garage door opener activates when the 4-digit Personal Identification Number (PIN) and ENTER button are pressed on the Keyless Entry.

Install the battery and program the Keyless Entry prior to installation. Make sure the garage door opener has a working light bulb because it is a programming indicator.

WARNING: This product can expose you to chemicals including lead, which are known to the State of California to cause cancer or birth defects or other reproductive harm. For more information go to P65Warnings

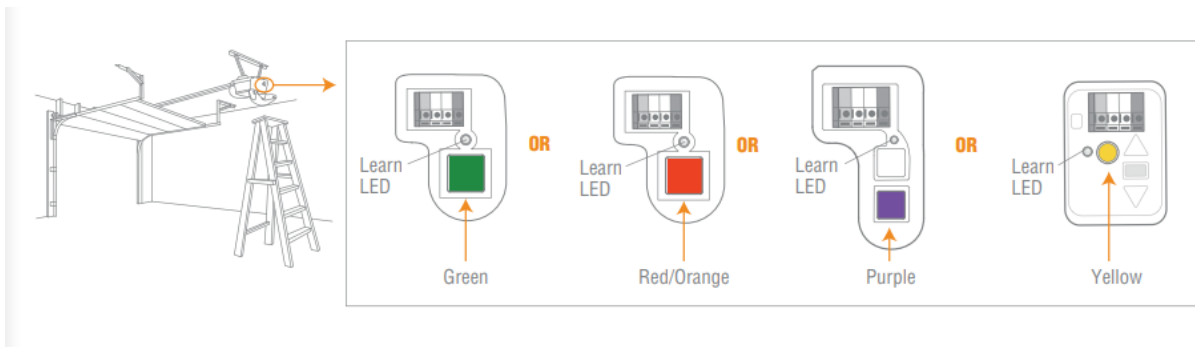
WARNING

To prevent possible **SERIOUS INJURY** or **DEATH** from a moving gate or garage door:

- Install Keyless Entry Control within sight of garage door, out of reach of small children at a minimum height of 5 feet (1.5 m) above floors, landings, steps or any other adjacent walking surface, and away from ALL moving parts of door.
- ALWAYS keep remote controls out of reach of children. NEVER permit children to operate, or play with remote controls.
- Activate gate or door ONLY when it can be seen clearly, is properly adjusted, and there are no obstructions to door travel.
- ALWAYS keep gate or garage door in sight until completely closed. NEVER permit anyone to cross path of moving gate or door.

GETTING STARTED

Locate the Learn button on the garage door opener. **NOTE:** Your garage door opener may look different.



Programming

PROGRAM PIN

- 1 Press and hold the * and # buttons until the lights on the keypad stop blinking.



- 2 Enter a 4-digit personal identification number (**PIN**) of your choice, then press the # button.



3 Press and release the **ENTER** button on the Keyless Entry the number of times that corresponds with your garage door opener type:



GARAGE DOOR OPENER TYPE	# OF PRESSES
Yellow Learn Button (315 and 390 MHz Security+ 2.0®)	1
Purple Learn Button (315 MHz Security+®)	2
Red/Orange Learn Button (390 MHz Security+®)	3
Green Learn Button (390 MHz Billion Code)	4

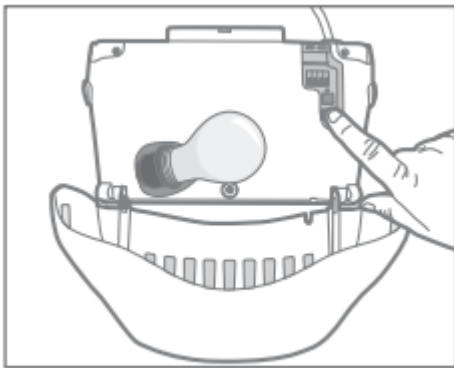
4 Press and release the **0** button.



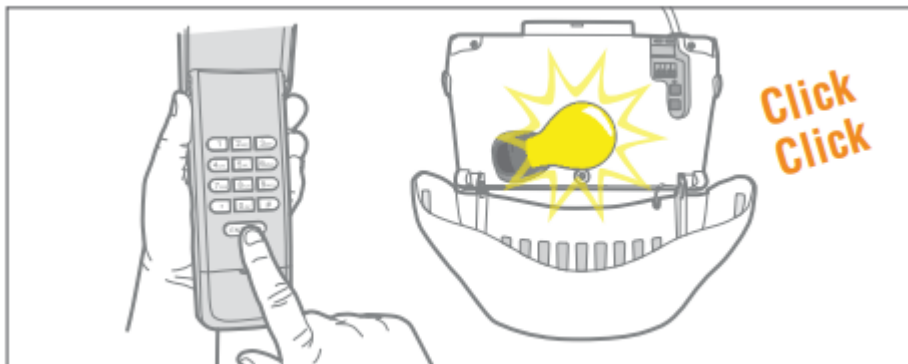


5 Press and release the Learn button on the garage door opener. The Learn LED will light.

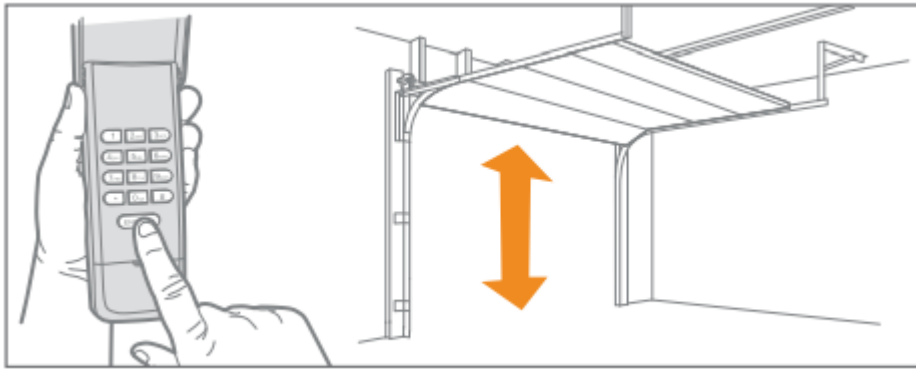
Within 30 seconds...



6 Enter your 4-digit **PIN**, then press and release the **ENTER** button until the garage door opener lights flash or two clicks are heard.



7 To test, enter your **PIN**, then press the **ENTER** button. The garage door opener will activate.



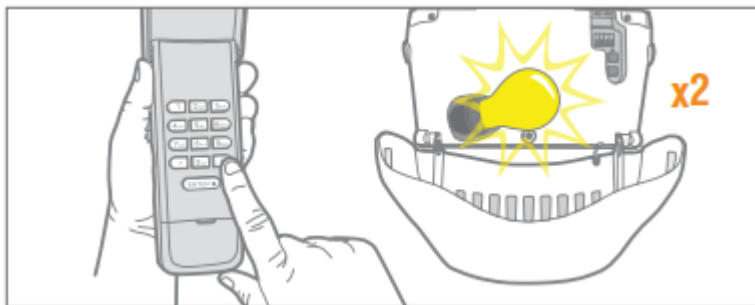
To program the Keyless Entry to more than one garage door opener, repeat the programming steps using a new PIN for each additional garage door opener.

CHANGE AN EXISTING PIN

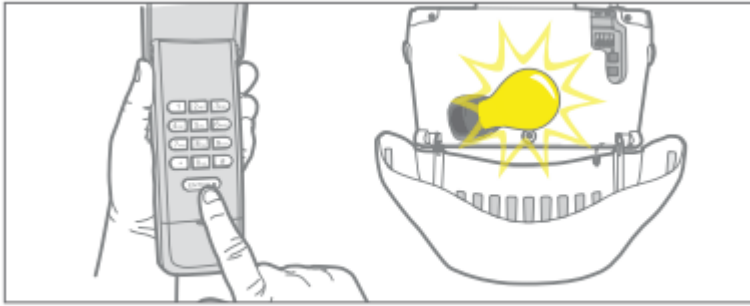
1. Enter the programmed **PIN** that you want to change.



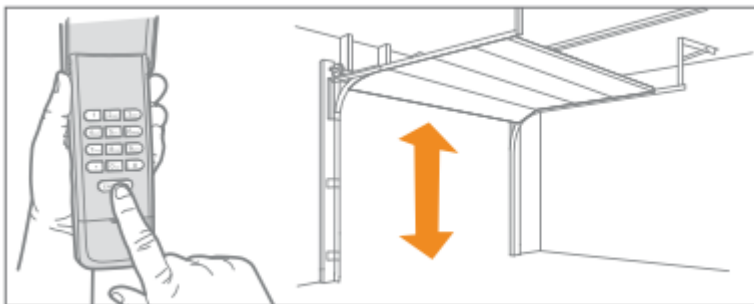
2. Press and hold the # button until the light bulb on the garage door opener blinks twice.



3. Enter the new 4-digit **PIN** of your choice, then press the **ENTER** button. The light bulb on the garage door opener will blink once.



4. To test, enter the new **PIN**, then press the **ENTER** button. The garage door opener will activate.

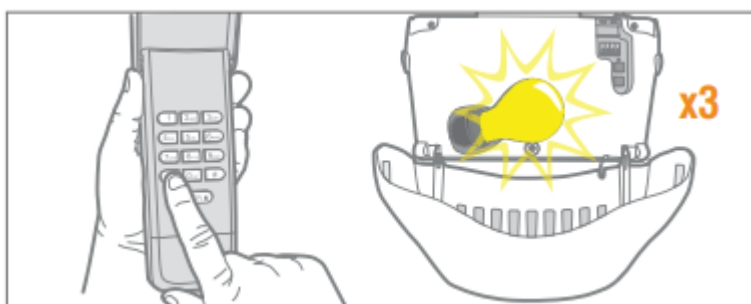


PROGRAM A TEMPORARY PIN - NUMBER OF HOURS

NOTE: This feature is not available on garage door openers that have a green Learn button or an external receiver.

A temporary 4-digit PIN can be programmed to allow access to visitors. Each programmed PIN can program one temporary PIN. The temporary PIN can be set for a number of hours or a number of door openings. The temporary PIN cannot be the same as any previously programmed PIN.

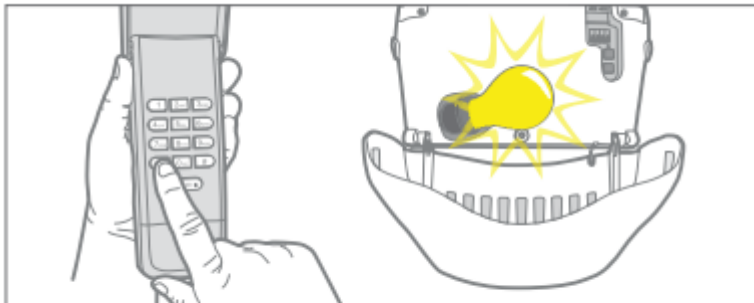
- 1 Enter any programmed **PIN**, then press and hold the * button until the garage door opener light bulb flashes 3 times.



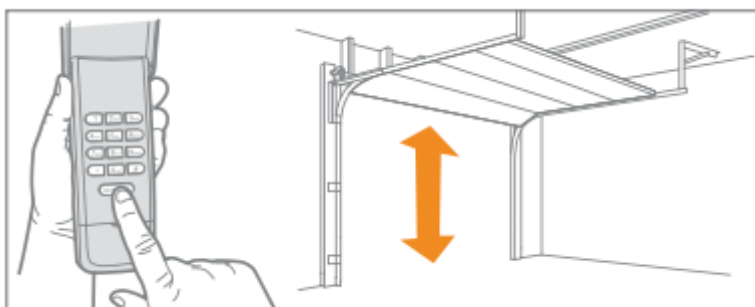
2 Enter the temporary 4-digit **PIN** of your choice, then press the * button. The garage door opener light bulb will flash 4 times.



3 Press the **number of hours** the temporary PIN will work (up to 255). Then press the * button. The garage door opener light bulb will flash once.



4 To test, press the **temporary PIN**, then press the **ENTER** button. The garage door opener will activate.

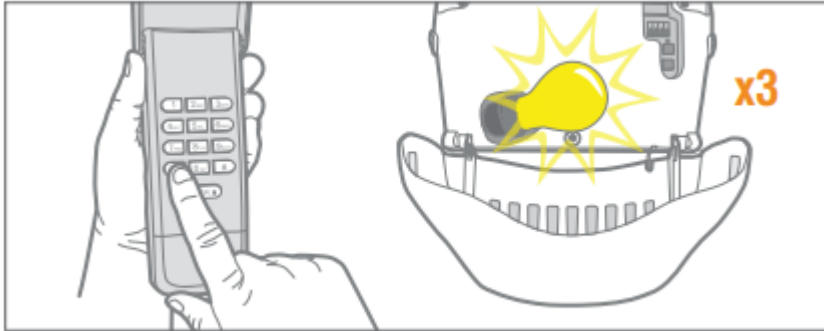


PROGRAM A TEMPORARY PIN - NUMBER OF OPENINGS

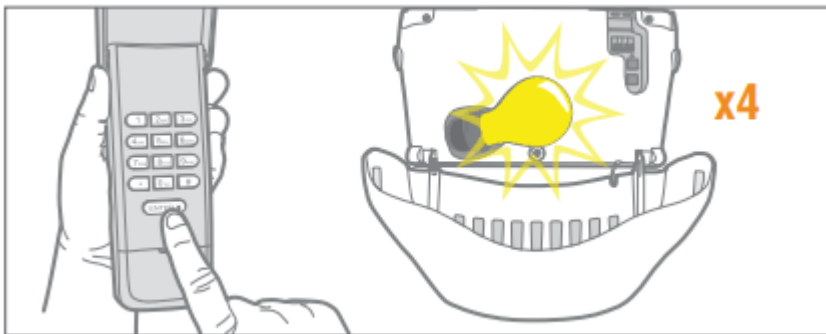
NOTE: This feature is not available on garage door openers that have a green Learn button or an external receiver.

A temporary 4-digit PIN can be programmed to allow access to visitors. Each programmed PIN can program one temporary PIN. The temporary PIN can be set for a number of hours or a number of door openings. The temporary PIN cannot be the same as any previously programmed PIN.

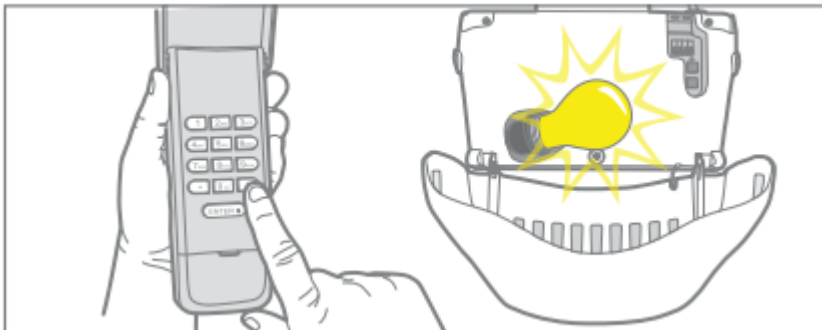
1. Enter any programmed **PIN**, then press and hold the ***** button until the garage door opener light bulb flashes 3 times.



2. Enter the temporary 4-digit **PIN** of your choice, then press the **ENTER** button. The garage door opener light bulb will flash 4 times.

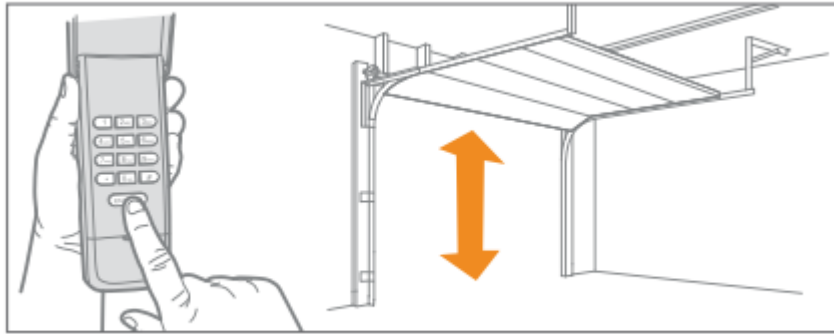


3. Press the **number of openings** the temporary PIN will work (up to 255). Then press the **#** button. The garage door opener light bulb will flash once.

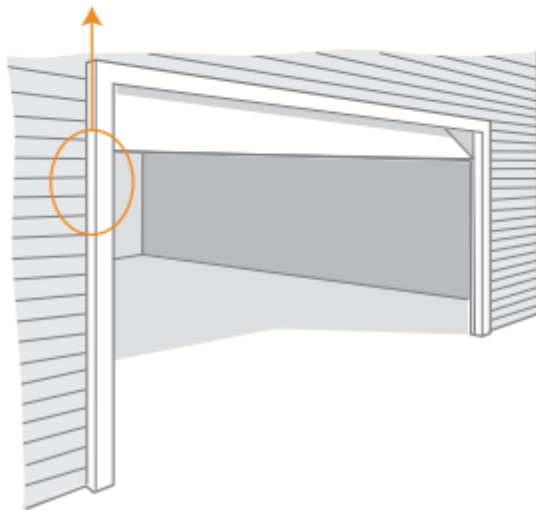
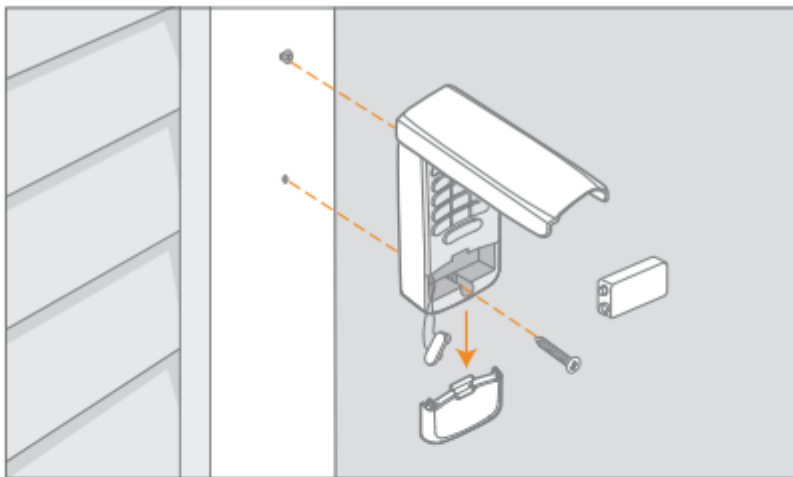


4. To test, press the **temporary PIN**, then press the **ENTER** button. The garage door opener will activate. If the temporary PIN was set for a number of openings, the test will

use up one opening.



Installation



- 1 Select a location to mount the Keyless Entry at a minimum height of 5 feet (1.5 m) out of reach of children.
- 2 Remove battery cover and battery.

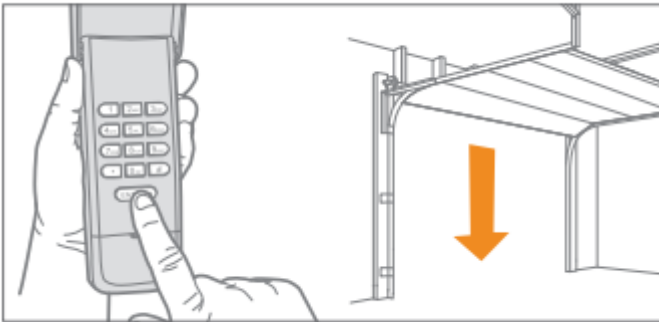
- 3 Mark the top mounting hole and drill 1/8 inch (3.2 mm) pilot hole.
- 4 Install the top screw, allowing 1/8 inch (3.2 mm) to protrude above the surface. Position the Keyless Entry over the top screw.
- 5 Mark the bottom hole and drill 1/8 inch (3.2 mm) pilot hole. Install the bottom screw. Do not overtighten to avoid cracking the plastic housing.
- 6 Reinstall battery and replace cover.

Operation

The garage door opener activates when the **PIN** and **ENTER** button are pressed. The keypad will blink for 15 seconds, during that time the **ENTER** button can be used to stop, start or reverse the door.

If the wrong number is accidentally pressed, press the **correct PIN** then the **ENTER** button. The Keyless Entry will transmit only the last four digits that were pressed before the ENTER button.

ONE BUTTON CLOSE



The Keyless Entry has a feature that allows the door to be closed using the ENTER button instead of a PIN.

NOTE: This feature is not available on garage door openers manufactured prior to 2006 or an external receiver.

To deactivate the one button close feature:



Press and hold the 1 and 9 buttons for 10 seconds. The keypad will blink four times when the one button close feature is deactivated.

To activate the one button close feature:



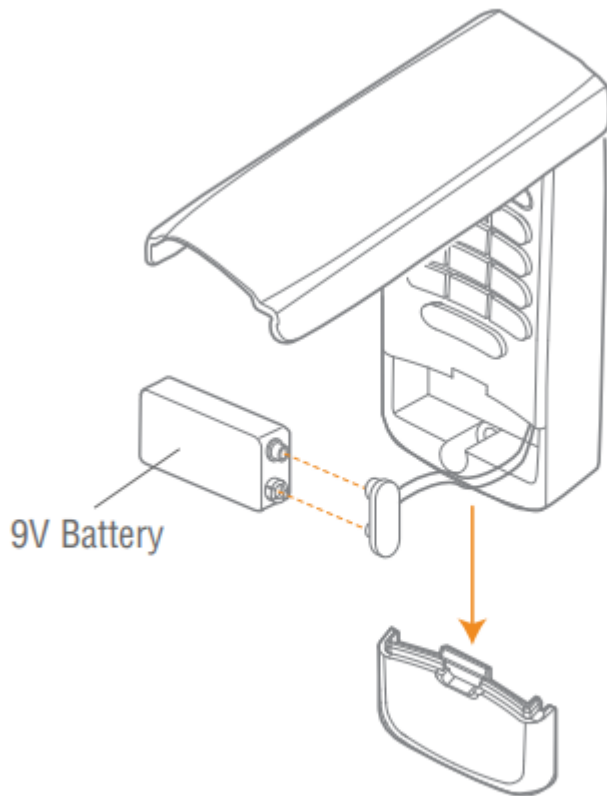
Press and hold the 1 and 9 buttons for 10 seconds. The keypad will blink twice when the one button close feature is activated.

BATTERY

To prevent possible **SERIOUS INJURY** or **DEATH**:

- NEVER allow small children near batteries.
- If battery is swallowed, immediately notify doctor.

Replace the battery when the keypad becomes dim or does not light after a button is pressed.
Dispose of old battery properly. 9V Battery



FAQs

Why won't my keypad work?

- Did the keypad lights come on when you entered your PIN? If the keypad lights do not turn on when you press a button, it indicates that the battery needs to be replaced. Replace with a 9V battery.
- Try reprogramming the Keyless Entry to the garage door opener.
- Make sure the Keyless Entry is compatible with your garage door opener (Chamberlain garage door openers manufactured after January 1, 1993).
- If the solutions above did not work, replace the Keyless Entry.

How many PINs can I program to the Keyless Entry?

The Keyless Entry will program up to 24 PINs and up to 24 temporary PINs.

Can I use the same PIN to activate multiple garage doors? No, you cannot use the same PIN number twice. The Keyless Entry will overwrite the original programming if the PIN is programmed a second time.

Why don't the keypad lights turn on when I press a button? If the keypad lights do not turn on when you press a button, it indicates that the battery needs to be replaced. Replace with a 9V battery.

What garage door openers are compatible with the Keyless Entry? The Keyless Entry is only compatible with Chamberlain garage door openers manufactured after January 1, 1993.

Why does the door close when I just press the ENTER button? The Keyless Entry has a "One Button Close" feature that allows the door to be closed using the ENTER button instead of a PIN. If you do not want this feature activated, press and hold the 1 and 9 buttons for 10 seconds. The keypad will blink four times when the one button close feature is deactivated.

What if I enter the wrong PIN?

If the wrong number is accidentally pressed, press the correct PIN then the ENTER button. The Keyless Entry will transmit only the last four digits that were pressed before the ENTER button.

WARRANTY

ONE YEAR LIMITED WARRANTY

The Chamberlain Group, Inc. warrants to the first consumer purchaser of this product that it is free from defect in materials and/or workmanship for a period of 1 year from the date of purchase

REPLACEMENT PARTS

Battery	10A25
Keypad Cover	41D621
Battery Cover	41D541

Warning

This content is compiled from multiple sources and is provided for reference purposes only. It may not be complete or fully applicable to all situations. If you are unable to resolve your issue, please contact the product manufacturer or an authorized service provider for official support.

