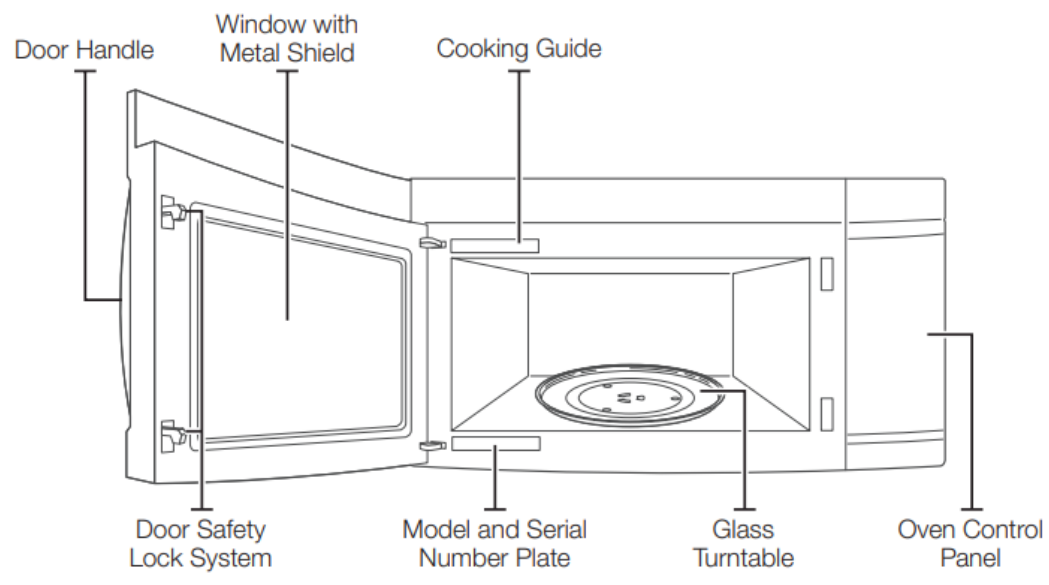
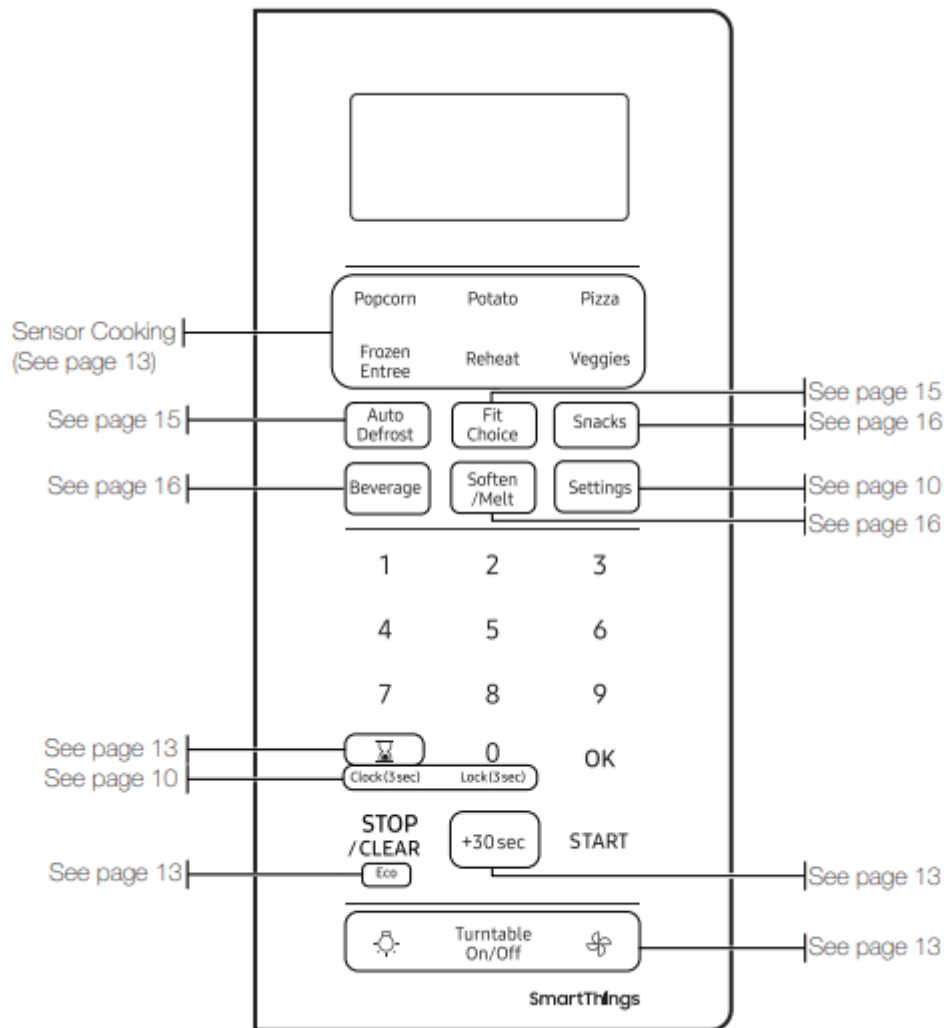


## FEATURES



## CHECKING THE CONTROL PANEL



## SETTING THE TIME

Your microwave oven is equipped with a built-in clock. Set the clock when first installing your microwave oven and after a power failure. The time is displayed whenever the microwave oven is not being used.

1. Press the Clock button for 3 seconds.
2. Use the number buttons to enter the current time. You need to press at least three numbers to set the clock. For example, if the current time is 5:00, press 5, 0, 0. The display will show: 500.
3. Use the Clock button to select AM / PM (Only on 12 hour mode).
4. Press the OK button.
5. A colon appears indicating that the time is set.

## CHILD LOCK

The Child Lock function allows you to lock the buttons so that the microwave oven cannot be operated accidentally. The oven can be locked at any time.

### Activating/Deactivating

If you want to activate or deactivate the child lock function, press the Lock button for 3 seconds. The display will show ON when the oven is locked, and then re-displays the time

## SETTINGS

You can customize your new microwave oven to suit your preferences. To customize:

1. Press the number Settings button.
2. Press the number button that corresponds to the function you want to customize and then press OK button.
3. Press the number that corresponds to the option you want to set.
4. Press the OK button to set the option. The functions, options, and corresponding number buttons are listed in the table below.

No.	Function	Options
1	Weight mode selected	1 Lbs. 2 Kg. (Gram)
2	Clock display control	1 12HR 2 24HR
3	Sound on/off control	1 Sound ON 2 Sound OFF
4	Remind end signal	1 ON 2 OFF
5	Daylight Saving time	1 ON 2 OFF
6	Demo mode	1 ON 2 OFF
7	Filter Reminder	1 ON 2 OFF
8	Wi-Fi	1 ON 2 OFF

### Filter Reminder


The filter should be cleaned or replaced once every four months. When it is time to clean or replace the filter, the microwave displays the "Filter" message to remind you to clean or replace the

filter. To remove the message, touch the number 0 when the microwave is in standby mode, or access Settings.

## SMART CONTROL

To use the microwave oven's Smart Control, you must download the SmartThings app to a mobile device. Functions operated by the SmartThings app may not work smoothly if communication conditions are poor or the microwave oven is installed in a place with a weak Wi-Fi signal.

### How to connect the microwave oven

1. Download and open the SmartThings app on your smart device.
2. Follow the app's on-screen instructions to connect your microwave oven.
3. To operate smart control function from the microwave oven, touch and hold OK button for 3 seconds.
4. Once the process is complete, the  icon appears on your microwave oven display and the app will confirm you are connected.
5. If the connection icon does not turn on, follow the instruction on the app to reconnect.

Microwave Oven remote control using the SmartThings app	
Microwave Oven Monitoring	Check the status of the microwave oven
Microwave Oven Remote Control	Remotely control vent fan speed/cooktop lamp

## VOICE CONTROL

To use the microwave oven's Voice Control function, you need Bixby / Amazon Alexa App /Google Assistant App on your mobile device.

### Bixby

Start conversation with Bixby on SAMSUNG mobile by saying "Hi Bixby" or by pressing the side key.

Function	OTR Bixby Command
Turn Off/Stop	<ul style="list-style-type: none"> <li>• Cancel the microwave</li> <li>• Turn off the microwave</li> </ul>
Check Time	<ul style="list-style-type: none"> <li>• Check the remaining time of the microwave</li> <li>• How much time is left on the microwave timer?</li> </ul>
Check Status	<ul style="list-style-type: none"> <li>• Check the microwave status</li> <li>• Check the status of the microwave</li> </ul>
MW Hood Control	<ul style="list-style-type: none"> <li>• Turn on/off the microwave hood light</li> <li>• Trun on/off hood power of microwave</li> <li>• Turn on/off hood fan of microwave</li> <li>• Set the microwave hood fan speed to boost/high/mid/low</li> </ul>

### Amazon Alexa & Google Assistant

Samsung smart home appliances are supported by SmartThings skill in Alexa & action in Google Assistant.

### Installation Guide

Here's how to link SmartThings account into Amazon Alexa or Google Assistant. SmartThings App and Alexa App(or Google Assistant App) Should be installed on your phone.

1. Setup the supported devices to SmartThings.
2. After device setup, tap + button on the screen.
3. Tap 'Voice assistant' and link your Samsung account to Amazon Alexa. (or Google Assistant)
4. Check the devices are visible on Amazon Alexa app. Then account linking is complete. (Check the devices are visible and set the location(home&room) of devices in Google home app. Then account linking is complete.)



Function	'Alexa'	'OK Google'
Turn Off/Stop	• Turn off the microwave	• Turn off the microwave
	• Stop the microwave	• Stop the microwave
Pause	• Pause the microwave	• Pause the microwave
Check Status	• Is the microwave running?	• Is the microwave running?
	• Is the microwave on?	• Is the microwave on?
MW Hood Control	• Turn on/off the (hood light, hood lamp, lamp, light) on microwave	• Turn on/off the microwave (light, lamp)
	• Turn on/off the (hood light, hood lamp)	• Turn on/off the (hood light, hood lamp)
	• Set the microwave (brightness, light level, lamp level) to [low, high]	• Set the microwave (brightness, light level, lamp level) to [low, high]
	• Turn on/off the (hood, fan, hood fan) on • microwave[device name]	• Turn on/off the (hood, fan, hood fan) on microwave
	• Turn on/off the (hood, hood fan)	• Turn on/off the (hood, hood fan)
	• Set the microwave (hood, fan, hood fan) speed to [low, medium, high, boost]	• Set the microwave (hood, fan, hood fan) speed to [low, medium, high, boost]

## AUTO CONNECTIVITY

Auto Connectivity function lets you quickly connect the hood via Wi-Fi with a compatible Samsung cooktop after the hood and cooktop have been paired. To turn the function on, press the Auto Connectivity button in SmartThings App. To disconnect the hood and cooktop, press the Auto Connectivity button again. While the hood and cooktop are connected, the hood fan will

automatically turn on when you turn on the cooktop. The hood fan will also turn off automatically when you turn off the cooktop.

- Auto connectivity function may not work normally when the temperature is set high.

## Using your microwave oven

Cooking has never been easier than with your new Samsung microwave oven. The following section describes everything you need to know about using your microwave oven.

### KITCHEN TIMER BUTTON

Use the Kitchen Timer for timing up to 99 minutes, 99 seconds.

1. Press the **Kitchen Timer** button.
2. Use the number buttons to set the length of time you want the timer to run.
3. Press the **OK** button.
4. The display counts down and beeps when the time has elapsed.
5. To cancel the timer setting: Press the **STOP/CLEAR Eco** button once.

### +30 SEC BUTTON

This simplified control saves you time, letting you quickly start cooking at 100 % power.

1. Press the **+30 sec** button for each 30 seconds you want food to cook. For example, press it twice to cook for one minute, and then press the **START** button to start cooking.
2. Add 30 sec to a cooking program already in progress by pressing the **+30 sec** button for every additional 30 seconds you want to add.

### VENT BUTTON ( )

The vent removes steam and other vapors from the cooking surface. You can manually select the vent setting.

Press (times)	1	2	3	4	5
Speed	4	3	2	1	Off

### LIGHT HI/LO/OFF BUTTON ( )

The Light button allows you to select a light setting for your microwave.

Press (times)	1	2	3
Light	High	Low	Off

## TURNTABLE ON/OFF BUTTON

For best cooking results, leave the turntable on. However, for large dishes it can be turned off.

Press the **Turntable On/Off** button to turn the turntable on or off.

The turntable may become too hot to touch. Use pot holders to touch the turntable during and after cooking.

## ECO MODE

Eco Mode reduces standby power usage.

To start Eco Mode, press the **STOP/CLEAR Eco** button once. The display will go out and the microwave shifts to the Eco mode which minimizes power usage.

To cancel the **Eco Mode**, press any button.

## SENSOR COOKING BUTTONS

The **Sensor Cooking** buttons let you cook favorite foods using preset power levels and times at the touch of a button. If the food is not thoroughly cooked or reheated when you use the auto cook feature, complete the cooking process by selecting a power level and cooking the food for an additional amount of time.

Do not use the **Sensor Cooking** buttons continuously. The oven must cool for 5 minutes between uses or the CAUTION food will overcook.

### Sensor cooking utensils & covers

To obtain good cooking results using these functions, follow the directions for selecting the appropriate containers and covers in the Cookware section on page 16.

## MICROWAVE COOKING TIMES & POWER LEVELS

Your oven allows you to set two different cooking stages, each with its own time length and power level. The power level lets you control the heating intensity from Warm (1) to High (10).

### One-stage cooking

For simple, one-stage cooking with the power level set to High (10), you only need to set the cooking time, and then press **START**. The power level is automatically set to High. If you want to set the power level to any other level, use the **OK** button.

1. Use the number buttons to set a cooking time. You can enter a time from one second to 99 minutes and 99 seconds. To select a time greater than one minute, enter the seconds too. (For example, to set a cooking time of 20 minutes, enter **2, 0, 0, 0**.)
2. If you want to set the power level to a level other than High, press the **OK** button, and then use the number buttons to enter the power level.
3. Press the **START** button to begin cooking. If you want to change the power level, press the **STOP/CLEAR** button before you press the **START** button, and then follow the instructions from Step 1 again.

Some recipes require different cooking stages at different temperatures. Your microwave allows you to set multiple cooking stages.

### Multi-stage cooking

1. Follow steps 1 and 2 from the “One-stage cooking” section and then press **OK** button.
2. Use the number buttons to set a second cooking time.
3. Press the **OK** button, and then use the number buttons to set the power level for the second cooking stage.
4. Press the **START** button to begin cooking.
  - When selecting more than one cooking stage, you must press the **OK** button before you can enter the second cooking stage time and power level.
  - Press the **OK** button twice to set the power level to High for a cooking stage.

### Power Levels

The 10 power levels allow you to choose the optimal power level for your cooking needs.

<b>1</b>	Warm	<b>6</b>	Simmer
<b>2</b>	Low	<b>7</b>	Medium high
<b>3</b>	Defrost	<b>8</b>	Reheat
<b>4</b>	Medium low	<b>9</b>	Saute
<b>5</b>	Medium	<b>10</b>	High

## Cleaning and maintaining your microwave oven

Keeping your microwave oven clean improves its performance, wards off unnecessary repairs, and lengthens its life.

### CLEANING THE EXTERIOR

It's best to clean spills on the outside of your microwave oven as they occur. Use a soft cloth and warm, soapy water. Rinse and dry.

Do not get water into the vents. Never use abrasive products or chemical solvents such as ammonia or alcohol as they can damage the appearance of your microwave.

#### Cleaning under your microwave oven

Regularly clean grease and dust from the bottom of your microwave using a solution of warm water and detergent.

#### Cleaning the control panel

Wipe with a damp cloth and dry thoroughly. Do not use cleaning sprays, large amounts of soap and water, abrasives, or sharp objects on the panel as it is easily damaged.

#### Cleaning the door and door seals

Always ensure that the door seals are clean and that the door closes properly. Take particular care when cleaning the door seals to ensure that no particles accumulate and prevent the door from closing correctly. Wash the glass door with very mild soap and water. Be sure to use a soft cloth to avoid scratching.

If a thin film of water accumulates on the inside or outside of the oven door, wipe it off with a soft cloth. A thin water film can accumulate when you operate the oven when humidity is high and in no way indicates microwave leakage.

### CLEANING THE INTERIOR

#### CAUTION

Ensure that the microwave oven has cooled down before cleaning it to avoid injury.

Remove the glass tray from the oven when cleaning the oven or tray. To prevent the tray from breaking, handle it with care and do not put it in water immediately after cooking. Wash the tray carefully in warm sudsy water or in the dishwasher.

Clean the interior surfaces (oven cavity) of your microwave oven periodically to remove any splashes or stains. To remove hardened food articles and remove smells, place 2 cups of water (add lemon juice for extra freshness) into a four-cup measuring glass. Run the microwave at High power for 5 minutes or until the water boils. Let the water stand in the oven for one or two minutes.

## **CLEANING THE TURNTABLE AND ROLLER RINGS**

Clean the roller rings periodically and wash the turntable as required. You can wash the turntable safely in your dishwasher.

## **STORING AND REPAIRING YOUR MICROWAVE OVEN**

If you need to store your microwave oven for a short or extended period of time, choose a dust-free, dry location. Dust and dampness may adversely affect the ability of the microwave parts.

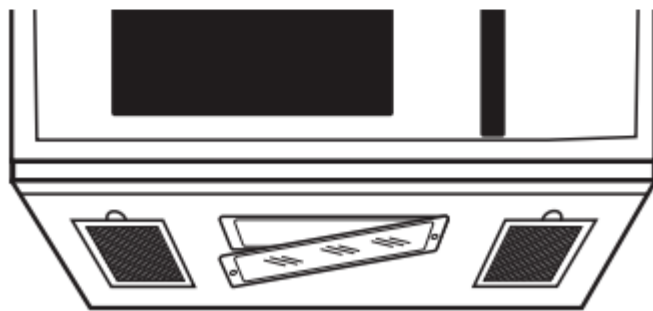
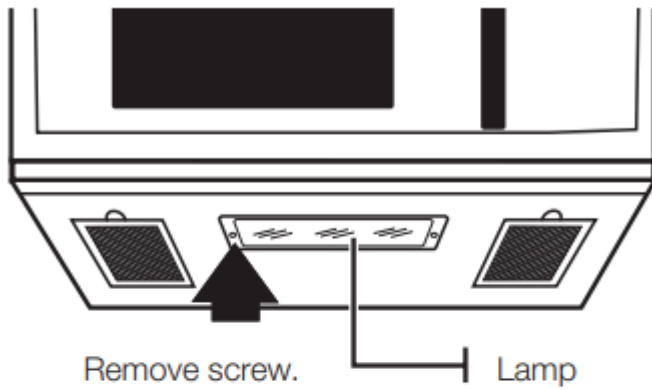
### **WARNING**

- Do not repair, replace, or service any part of your microwave oven yourself. Allow only a qualified service technician to perform repairs. If the oven is faulty and needs servicing, or you are in doubt about its condition, unplug the oven from the power outlet and contact your nearest Samsung service center.
- Do not use the oven if it is damaged, in particular, if the door or door seals are damaged. Door damage includes a broken hinge, a worn out seal, or a distorted/bent casing.
- Do not remove the oven from its casing.
- This microwave oven is for home use only and is not intended for commercial use.

## **REPLACING THE COOKTOP/NIGHT LIGHT**

When replacing the cooktop/night light, make sure that you are wearing gloves to avoid injury from the heat of the bulb.

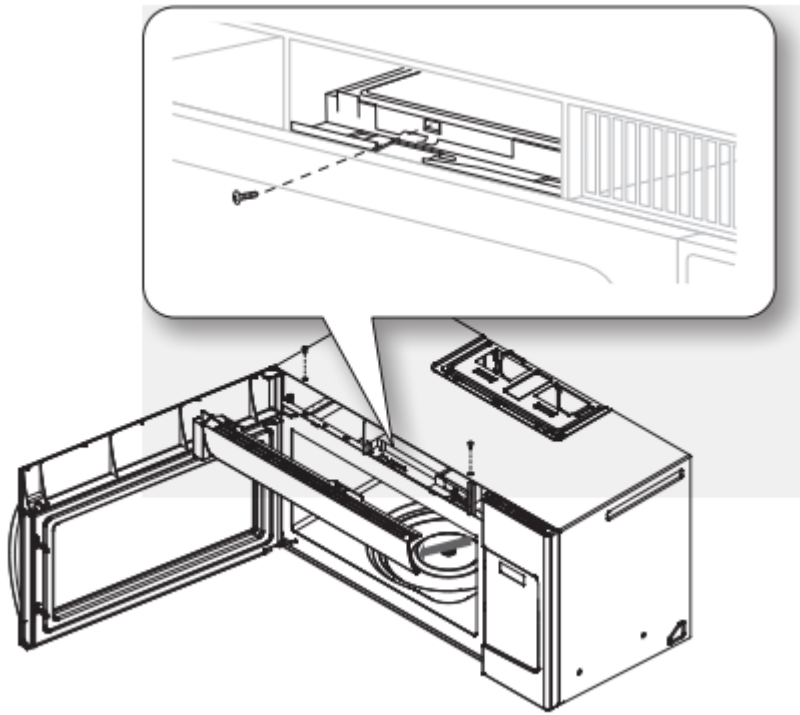
1. Unplug the oven or turn off the power at the main power supply.
2. Remove the screw from the light cover and lower the cover.
3. Replace the bulb with a 20 watt halogen lamp.
4. Replace the light cover and mounting screw.
- 5 Turn the power back on at the main power supply or plug the microwave in.



## REPLACING THE OVEN LIGHT

When replacing the oven light, make sure that you are wearing gloves to avoid injury from the heat of the bulb.

1. Unplug the oven or turn off the power at the main power supply.
2. Open the door.
3. Remove the vent cover mounting screws (2 middle screws).
4. Slide the vent grille to the left, then pull it straight out.
5. Remove the charcoal filter, if present.
6. Remove the cover by pushing the hook and pulling up the lever.
7. Remove the bulb by turning it gently.
8. Replace the bulb with a 40 watt appliance bulb.
9. Replace the bulb holder.
10. Replace the vent grille and the 2 screws.
11. Turn the power back or plug the microwave in.



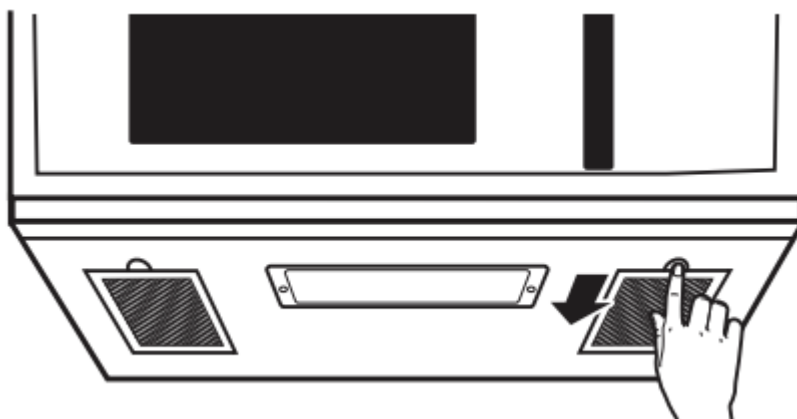
## CLEANING THE GREASE FILTER

Your microwave oven has reusable grease filter. The grease filters should be removed and cleaned at least once every four months or as required.

Your microwave oven has a filter reminder function. See page 10 for details.

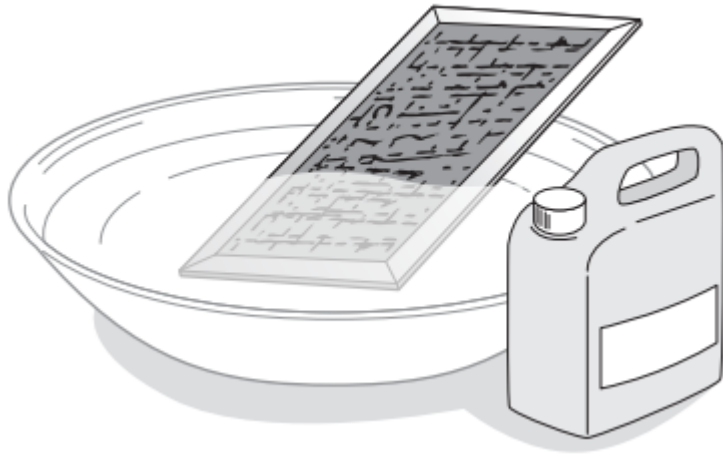
To avoid risk of personal injury or property damage, **WaRNNg** do not operate the oven hood without the filters in place.

1. To remove the filter, slide them to the rear using the tabs, then pull down and out.



2. Soak the grease filter in hot water and a mild detergent. Rinse well and shake to dry. Brushing the filter lightly can remove embedded dirt.

**WARNING** Do not use ammonia or put the grease filter in the microwave oven cavity to dry. The aluminum will darken.

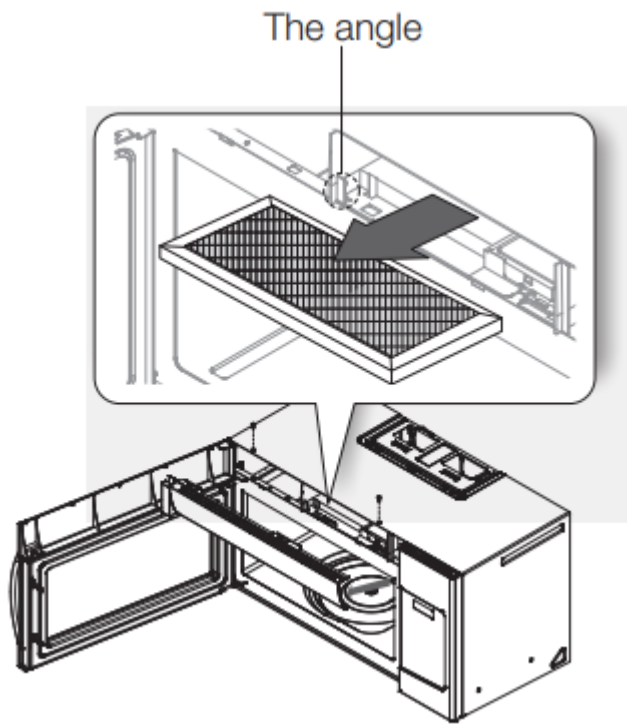


**3.** To re-install the filter, slide it into the frame slots on the back of each opening, and then press up and to the front to lock it.

## **REPLACING THE CHARCOAL FILTER**

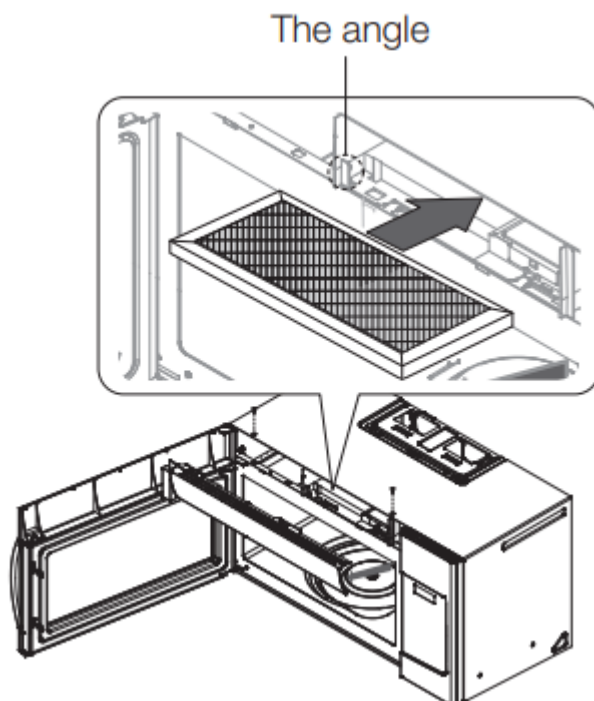
If your oven is vented to the inside, the charcoal filter should be replaced every 6 to 12 months and more often if necessary. The charcoal filter cannot be cleaned. To order a new charcoal filter, contact SamsungParts at 1-800-627-4368 or your Samsung dealer.

- 1.** Unplug the oven or turn off the power at the main power supply.
- 2.** Open the door.
- 3.** Remove the vent grille mounting screws (2 middle screws).
- 4.** Slide the vent grille to the left, then pull it straight out.
- 5.** Push the hook, and then remove the old filter.



6. Slide a new charcoal filter into place. The filter should rest at the angle shown.

7. Replace the vent grille and 2 screws, and then close the door. Turn the power back on, and then set the clock.



## Troubleshooting

Check these solutions if you have a problem with your microwave:

Problem	Solutions
The display and/or the oven is not working.	<p>Make sure the plug is properly connected to a grounded outlet.</p> <p>If the wall outlet is controlled by a wall switch, make sure the wall switch is turned on.</p> <p>Remove the plug from the outlet, wait ten seconds, and plug it in again. Reset the circuit breaker or replace any blown fuses.</p> <p>Plug a different appliance into the outlet. If the other appliance doesn't work, call a qualified electrician to repair the wall outlet.</p> <p>Plug the oven into a different outlet.</p>
The display is working, but the power won't come on.	<p>Make sure the door is closed securely. Check if any packaging material or anything else is stuck in the door seal. Check if the door is damaged.</p> <p>Touch Cancel twice and enter all the cooking instructions again.</p>
Is the power going off before the set time has elapsed?	<p>If there was a power outage, the time indicator will display: <b>88:88</b>.</p> <p>If no power outage occurred, remove the plug from the outlet, wait ten seconds, and plug it in again. Reset the clock and any cooking instructions.</p> <p>Reset the circuit breaker or replace any blown fuses.</p>
Cooks food too slowly.	<p>Make sure the oven has its own 15 to 20 amp circuit line. Operating another appliance on the same circuit can cause a voltage drop. If necessary, move the oven to its own circuit.</p>
Has sparks or arcing.	<p>Remove any metallic utensils, cookware, or metal ties. If using foil, use only narrow strips and allow at least one inch between the foil and the interior oven walls.</p>
The turntable makes noise or becomes stuck.	<p>Clean the turntable, roller ring, and oven floor.</p> <p>Make sure the turntable and roller ring are positioned correctly.</p>



Causes TV or radio interference.	This is similar to interference caused by other small appliances, such as hair dryers. Move your microwave (or appliance) away from the affected appliances, such as your TV or radio.
Vent Motor suction force is too weak.	Set the vent mode to high. The Vent Fan will only operate in low speed mode while the microwave is working.
Operating noise is too loud.	The microwave makes noise during operation. This is normal. If you hear an abnormal sound continuously, please contact the Samsung Call Center (1-800-7267864).

Cook top lamp is too dim.	Set the lamp brightness level to high.
Difficult to replace Charcoal Filter.	Please refer to the instructions for replacing the charcoal filter in the user's manual.
Turntable rotates improperly.	Make sure you have not put too much food on the turntable. If the food is too large or too heavy, the turntable may operate improperly.

### Warning

This content is compiled from multiple sources and is provided for reference purposes only. It may not be complete or fully applicable to all situations. If you are unable to resolve your issue, please contact the product manufacturer or an authorized service provider for official support.