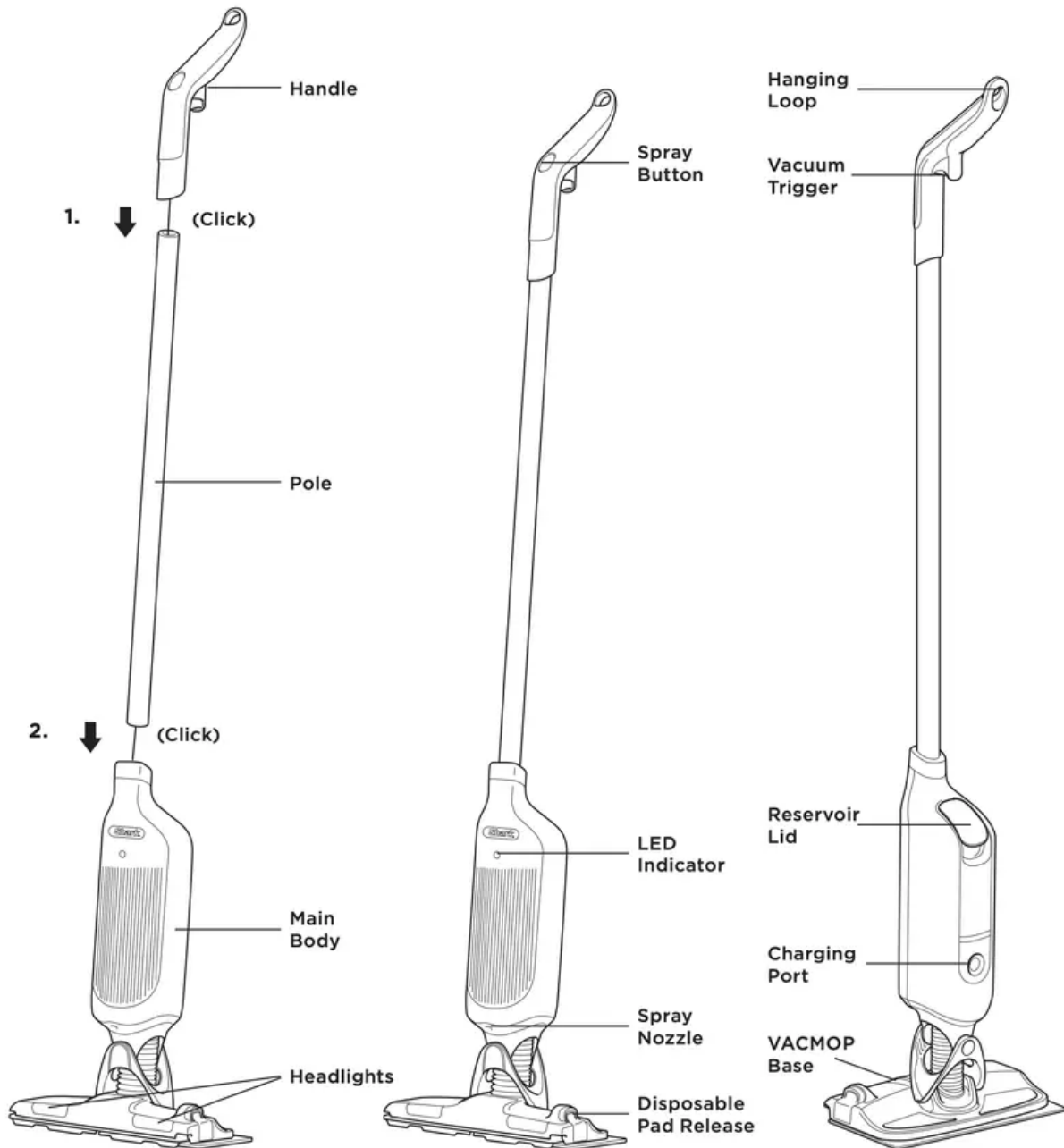


## ASSEMBLY

Your VACMOP™ unit comes partially assembled with a cord connecting the parts. All versions assemble the same way. This appliance is for Household use only.

1. Align and insert the Handle into the top of the Pole. You will feel it click in place.
2. Align and insert the pole into the Main Body. You will feel it click in place.

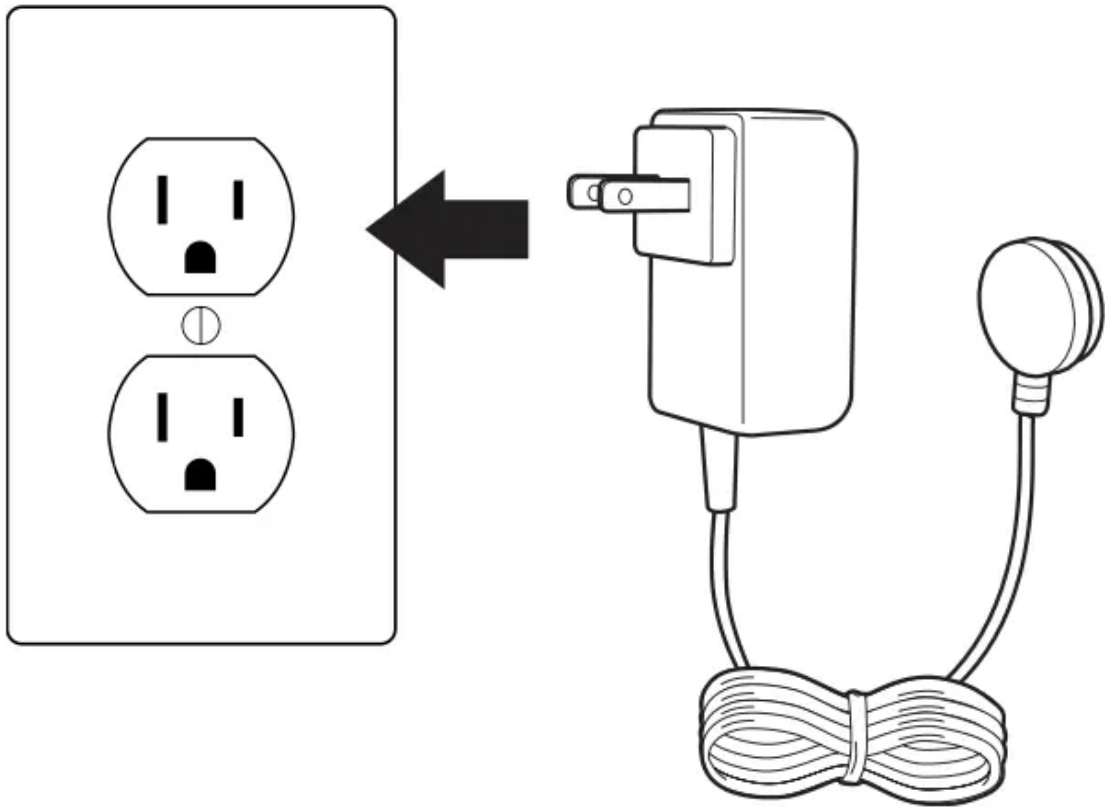


**NOTE:** The model and serial numbers can be found on the QR code label on the back on the main body.

## CHARGING THE LI-ION BATTERY

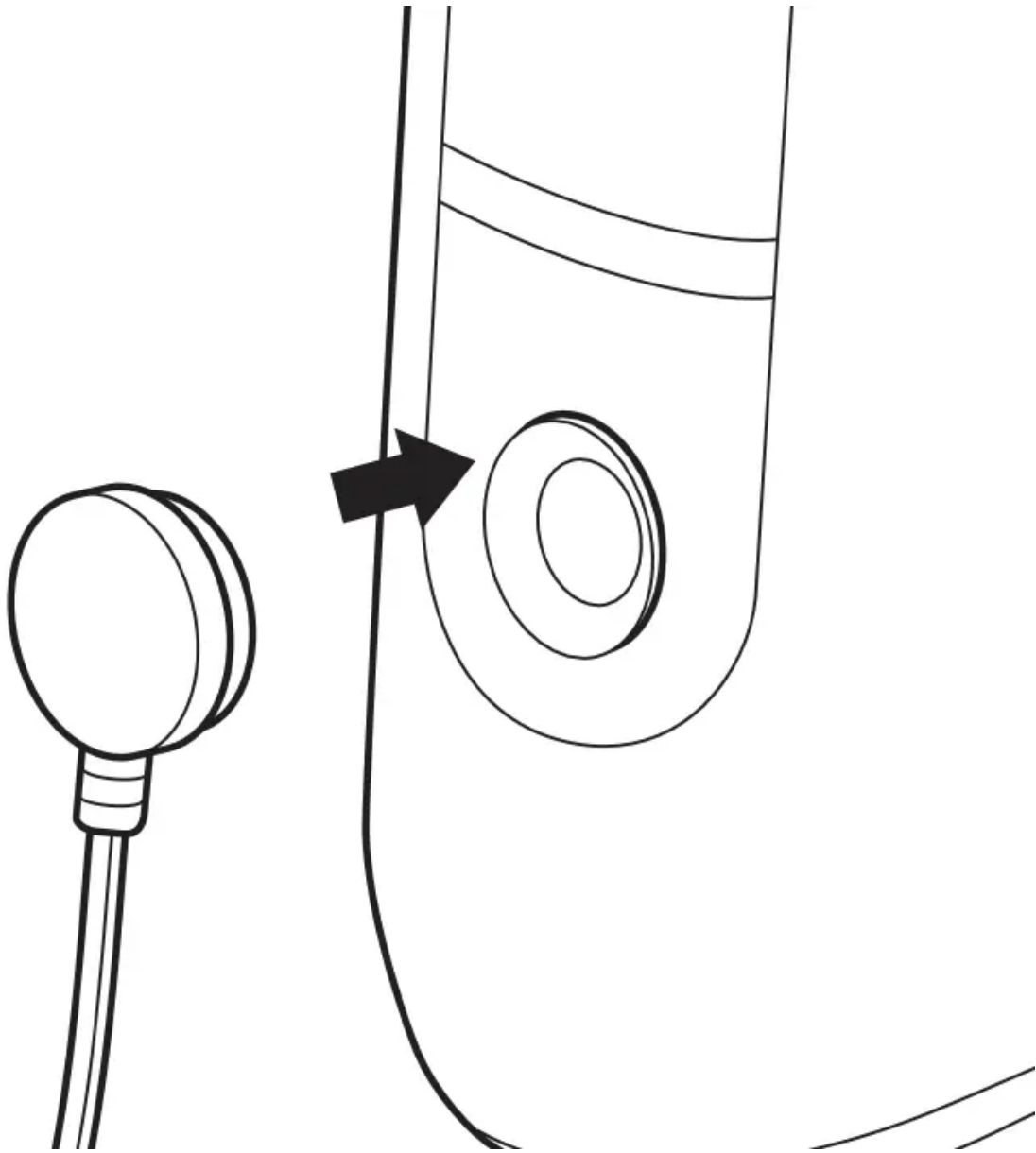
### MAGNETIC CHARGER

Plug charger into an electrical outlet.



### MAGNETIC CHARGING CONNECTOR

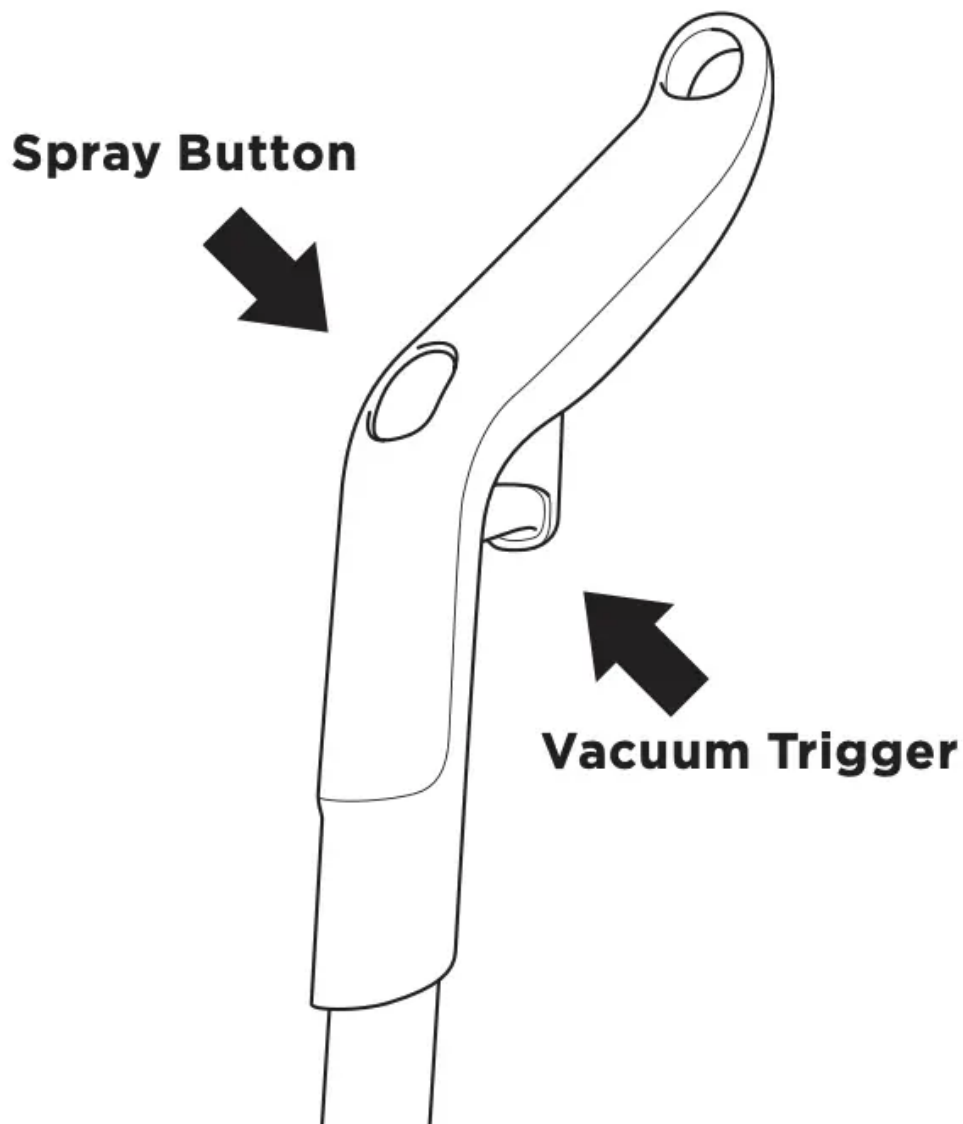
Connect the magnetic charger to the port on the back of the main body.



**CONTROLS**

**VACUUM TRIGGER AND SPRAY BUTTON**





### **Spray Button**

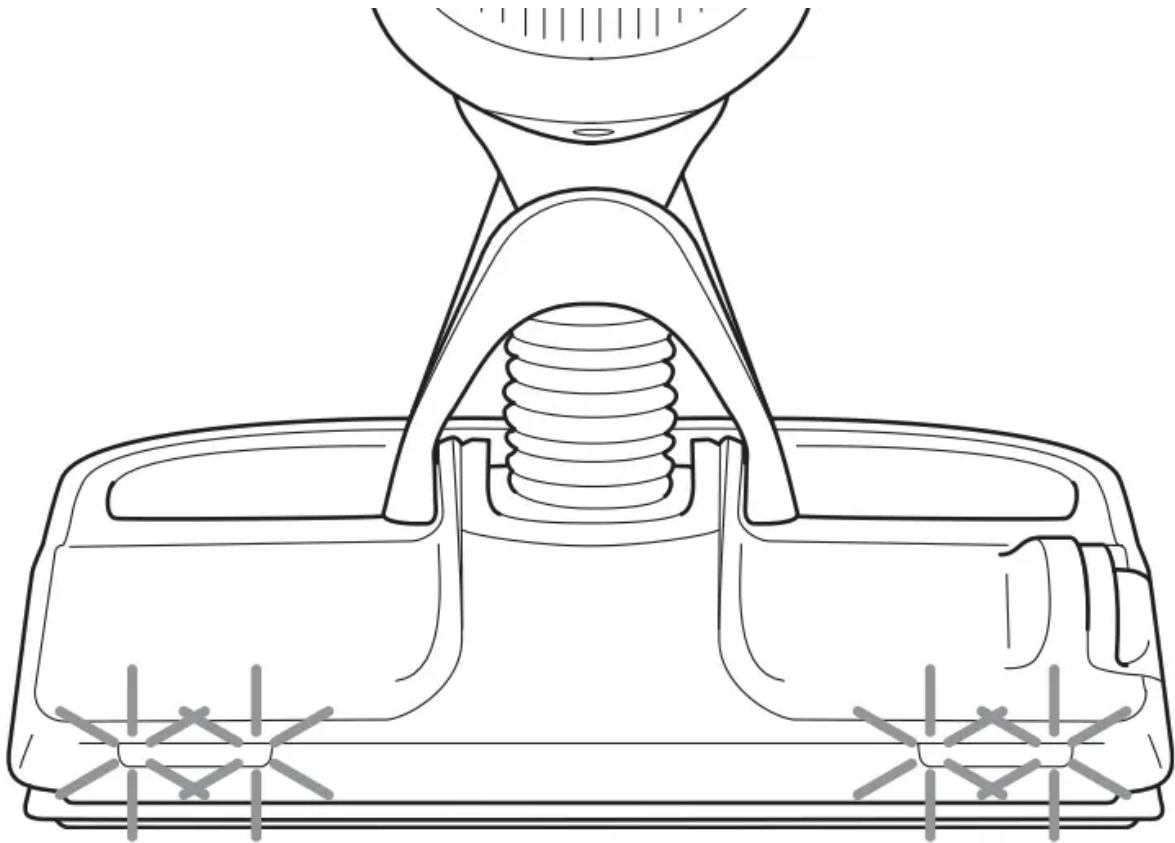
Press and hold the spray button on top of the handle to dispense cleaning solution through the spray nozzle.

### **Vacuum Trigger**

To vacuum, pull the trigger and hold it in.

## **HEADLIGHTS**

### **AUTOMATIC HEADLIGHTS**

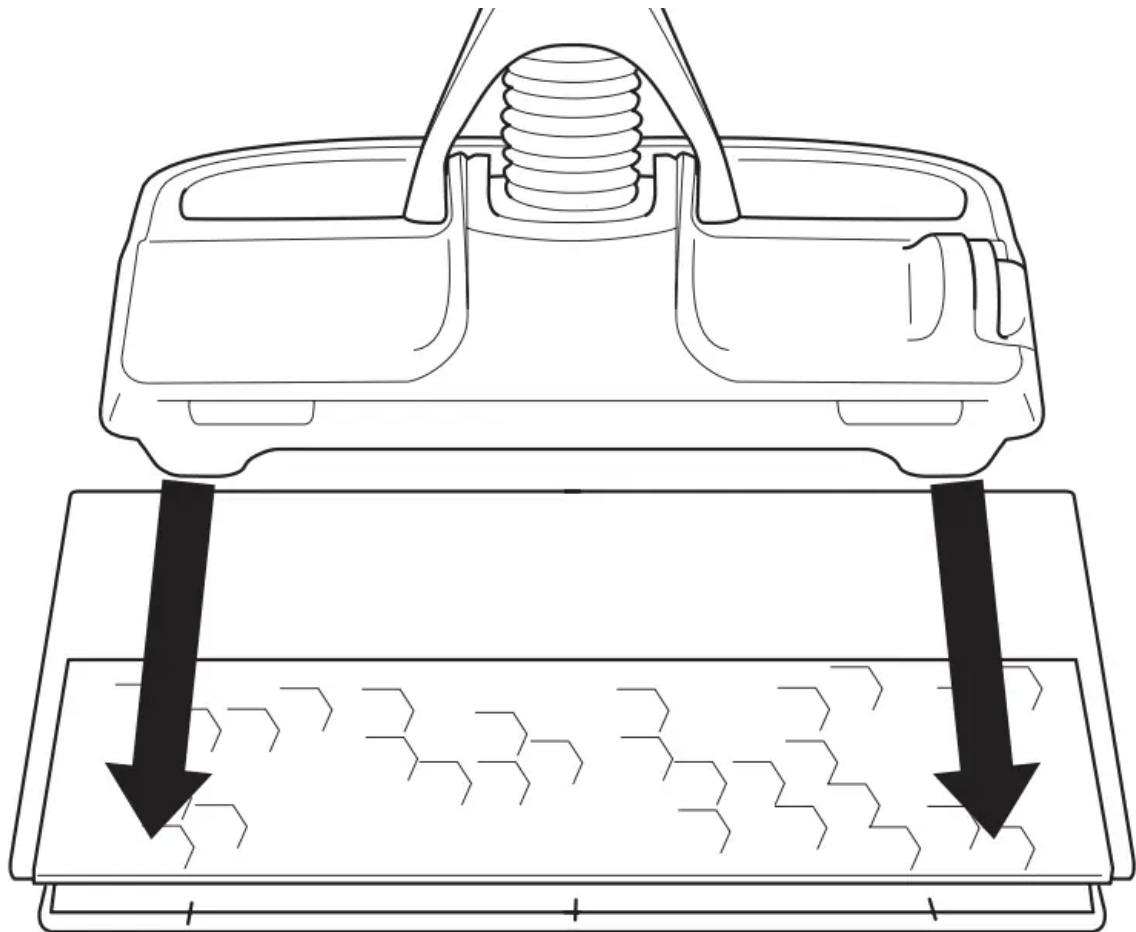


When the VACMOP™ is in use, the motion sensor will automatically activate the headlights. After 10 seconds of inactivity, the headlights will turn off.

## **ATTACHING AND REMOVING THE DISPOSABLE PADS**

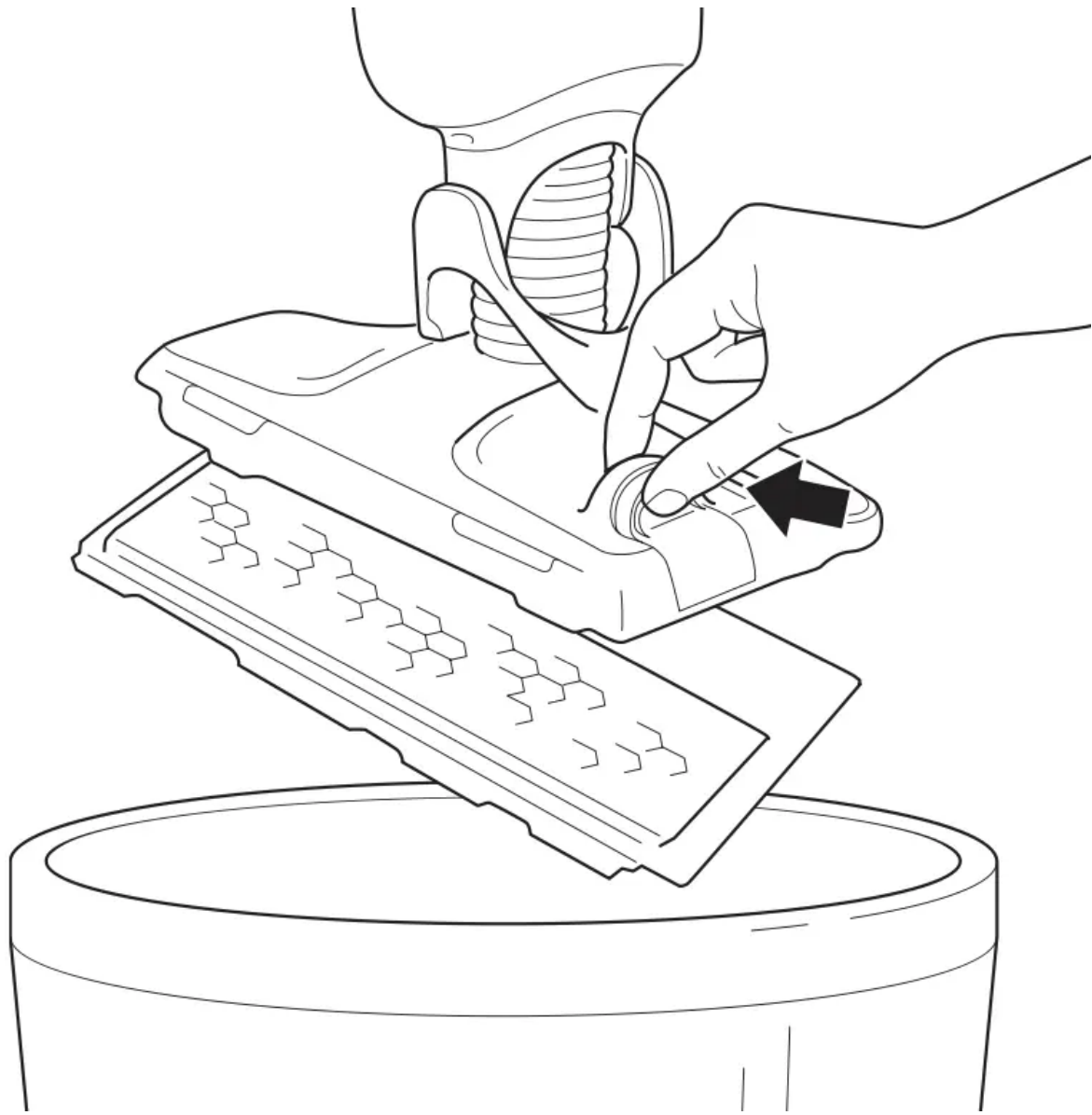
### **ATTACHING THE DISPOSABLE PAD**

Place the VACMOP™ Disposable Pad on the floor with the scrubbing strip down. Line up the front edge of the VACMOP into the plastic bumper on the pad. Holding the handle, press the VACMOP base down until the disposable pad clicks into place.



### **REMOVING THE DISPOSABLE PAD**

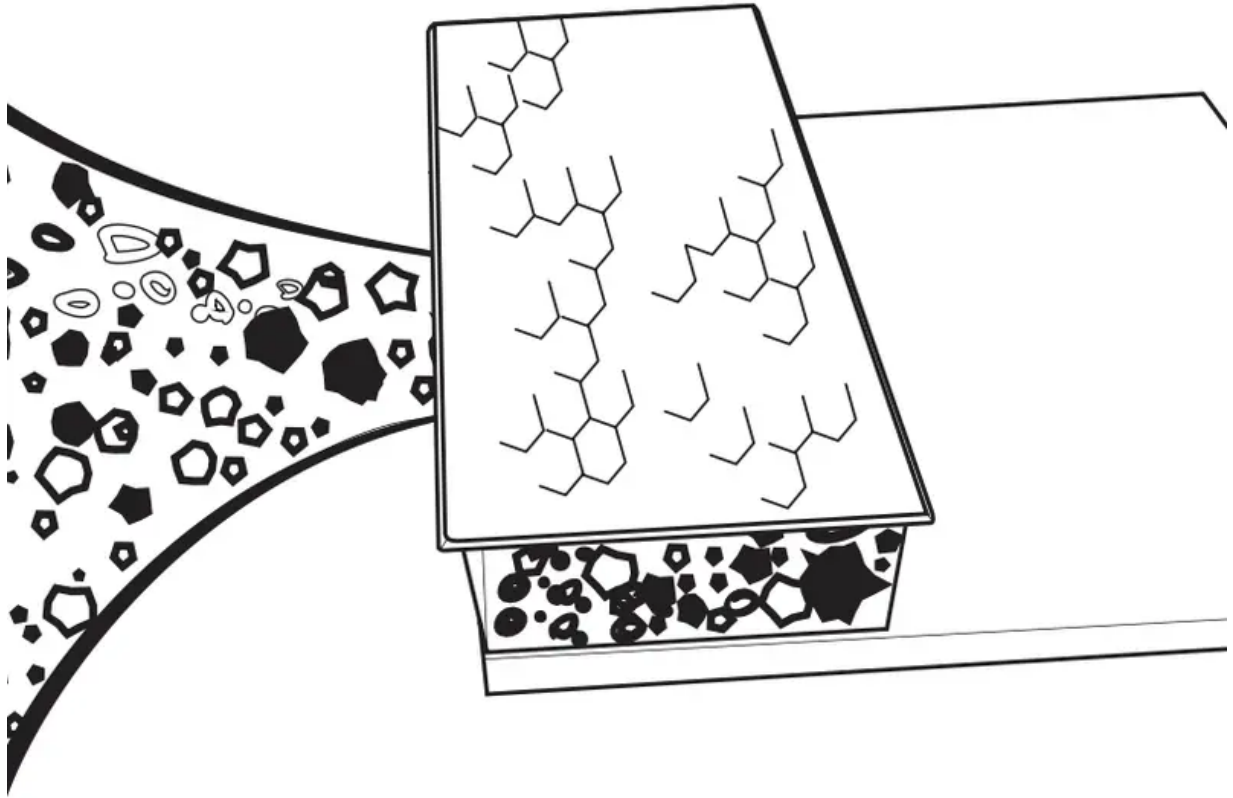
To detach the disposable pad, press the release button on the side of the VACMOP base. Dispose of dirty pads by releasing them directly into the trash.



## **DISPOSABLE PAD FUNCTIONALITY**

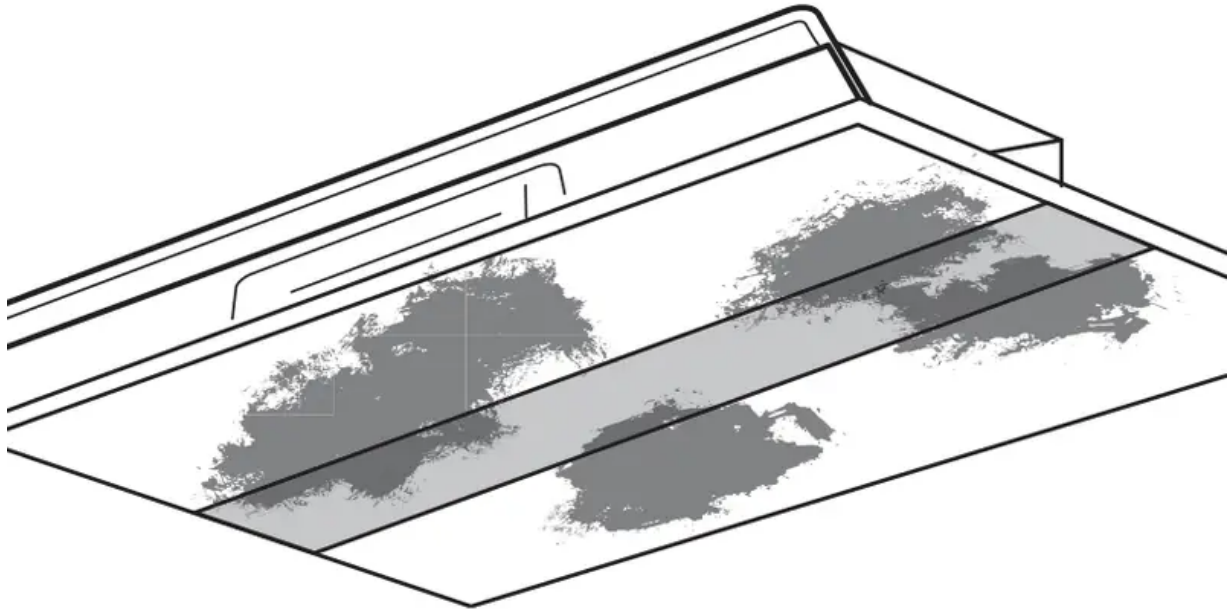
### **DIRT CHAMBER TECHNOLOGY**

The dirt chamber collects and locks away dirt and debris when you vacuum.



## DISPOSABLE PAD TECHNOLOGY

The disposable pad's fibers absorb messes as you mop.



**NOTE:** DO NOT vacuum up liquid or vacuum while spraying cleaner—this will cause reduced suction or no suction. Clean liquids and wet messes ONLY by mopping.

## LI-ION BATTERY

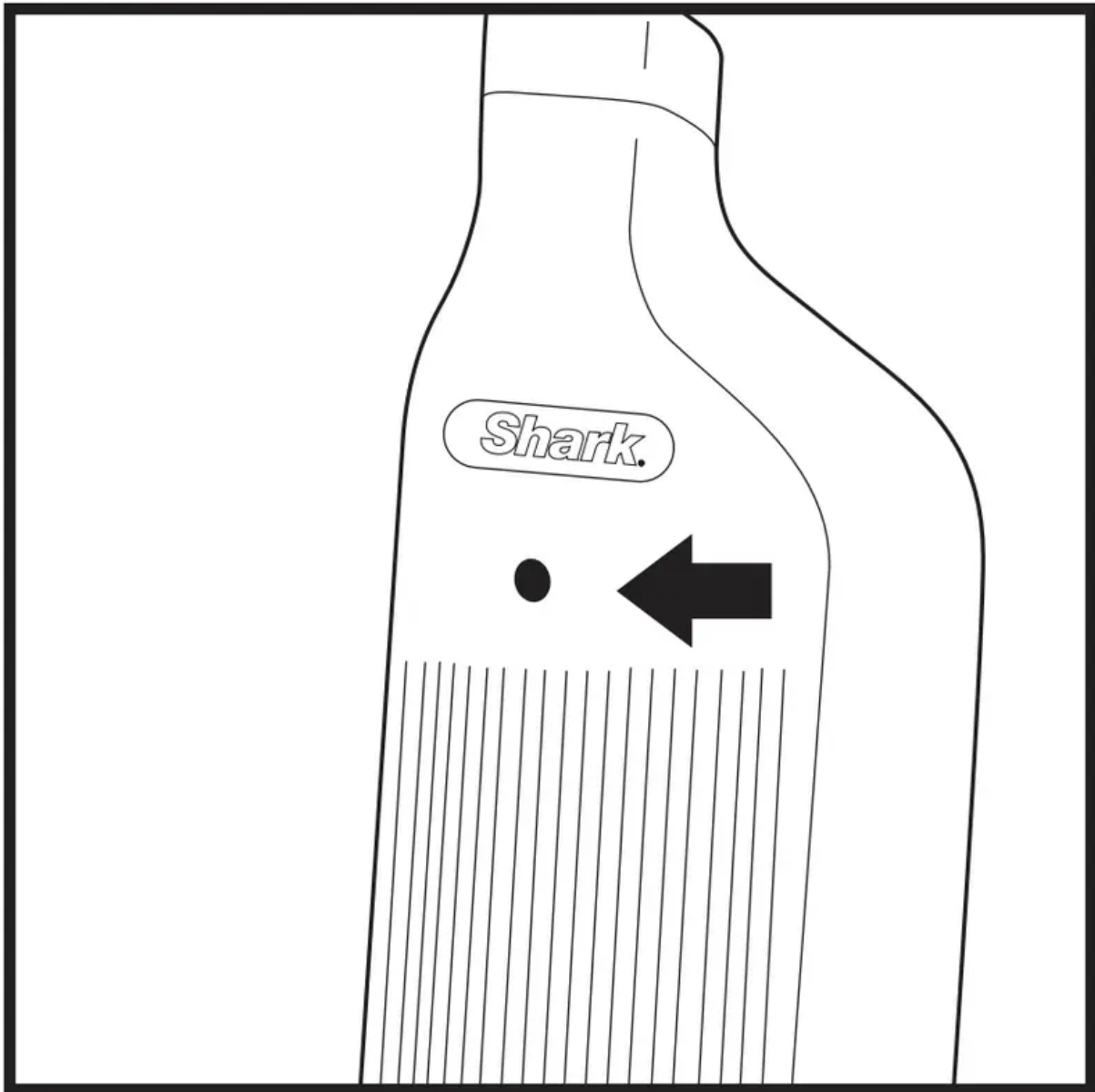
Prior to first use, charge completely. A full charge takes approximately 3.5 hours.

### BATTERY RUNTIME

The Shark VACMOP is designed to handle anything from quick pickups to whole cleaning sessions—just charge it between uses. If it's used for one-off everyday messes or for more mopping than vacuuming, it will last longer on one charge. If you're continuously vacuuming, a full charge will last up to 13 minutes.

### LED BATTERY POWER AND CHARGING INDICATOR

#### Indicator LED



**IN USE:**

**Normal Operation** - Solid white

**Low Battery** - Blinking white

**Very Low Battery** - Blinking red Out of battery - Rapid blinking red

**CHARGING:**

**Battery Charging** - Pulsing white

**Full Charge** - Solid white (will turn off after 5 minutes)

**RECYCLING THE LI-ION BATTERY**

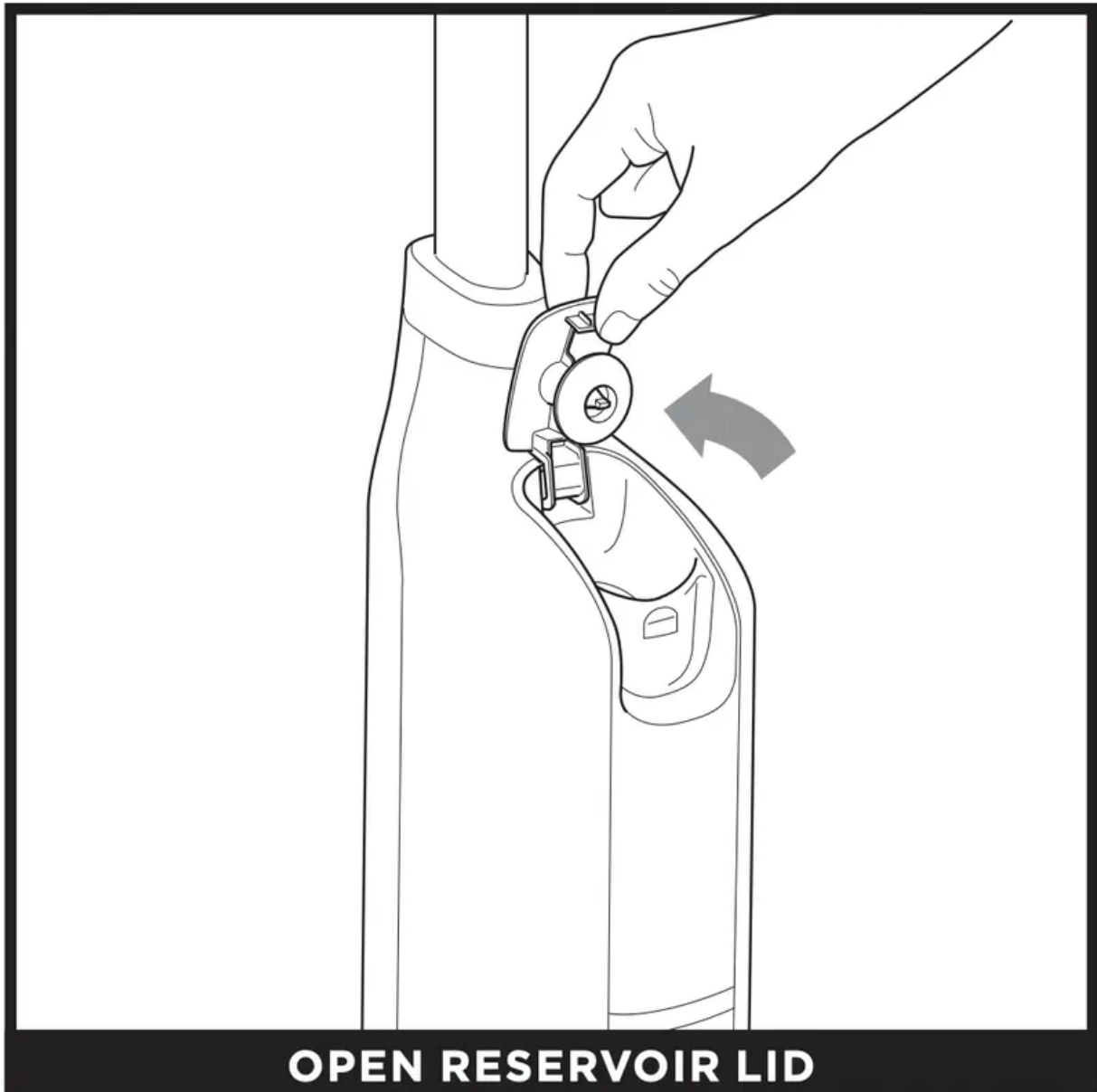
When the Shark® Li-Ion battery needs to be replaced, dispose of it or recycle it in accordance with local ordinances or regulations. In some areas, it is illegal to place spent lithium-ion batteries in the trash or in a municipal solid waste stream. Return spent batteries to an authorized recycling center

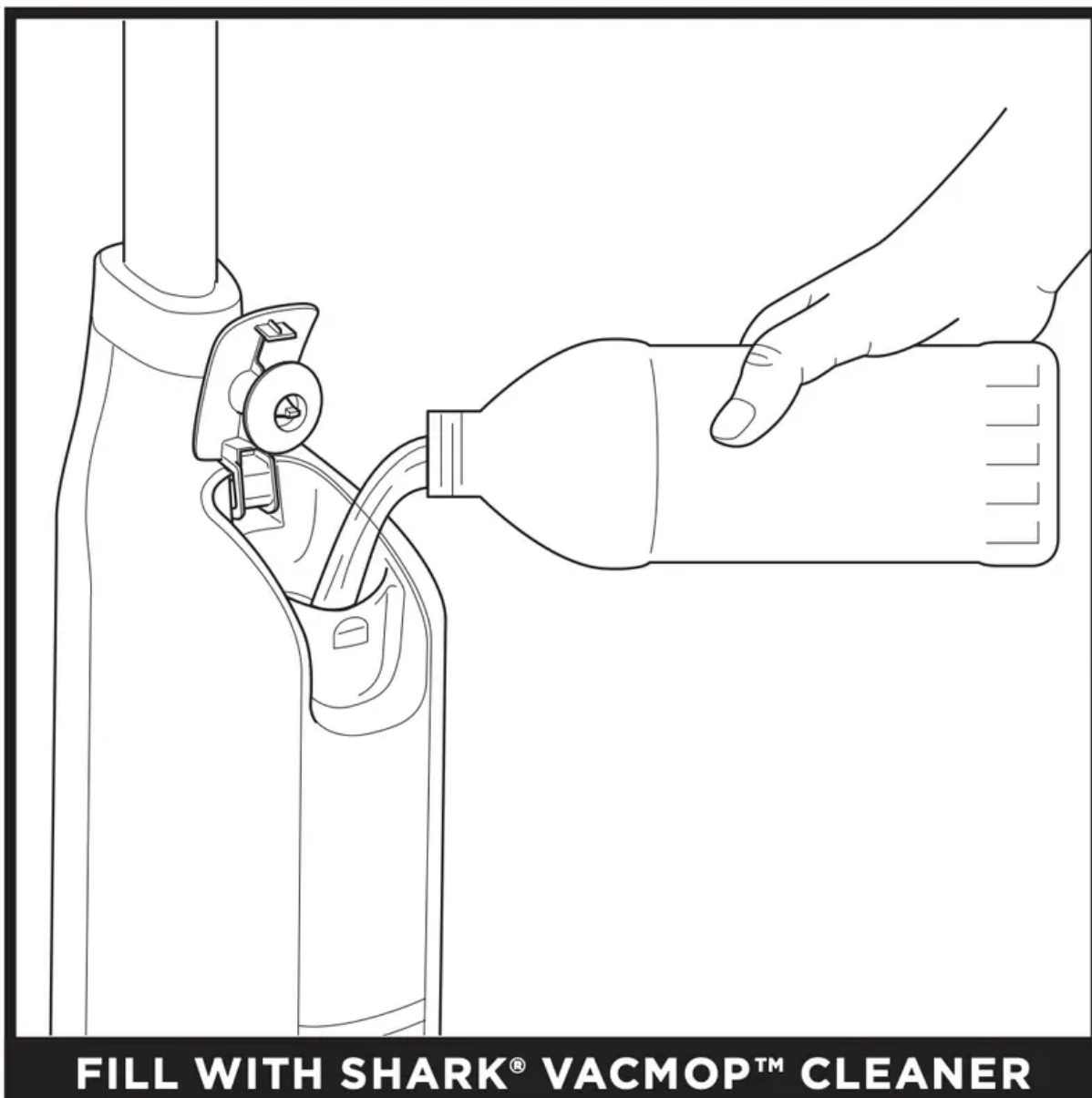


or to the retailer for recycling. Contact your local recycling center for information on where to drop off the spent battery.

**NOTE:** The Shark battery, like all lithium-ion batteries, will naturally decrease in capacity over time from the 100% capacity of a new battery.

## FILLING THE RESERVOIR

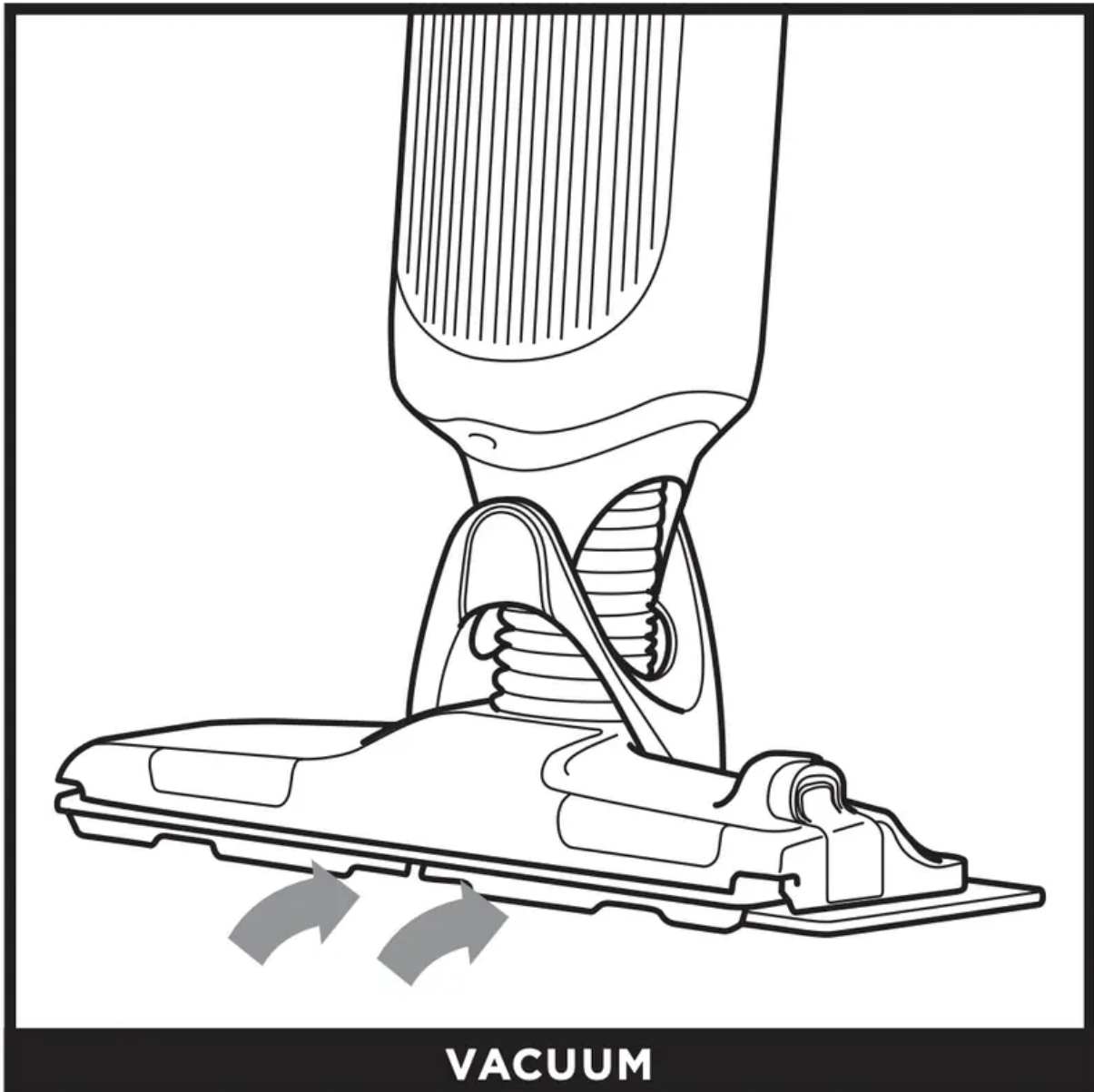


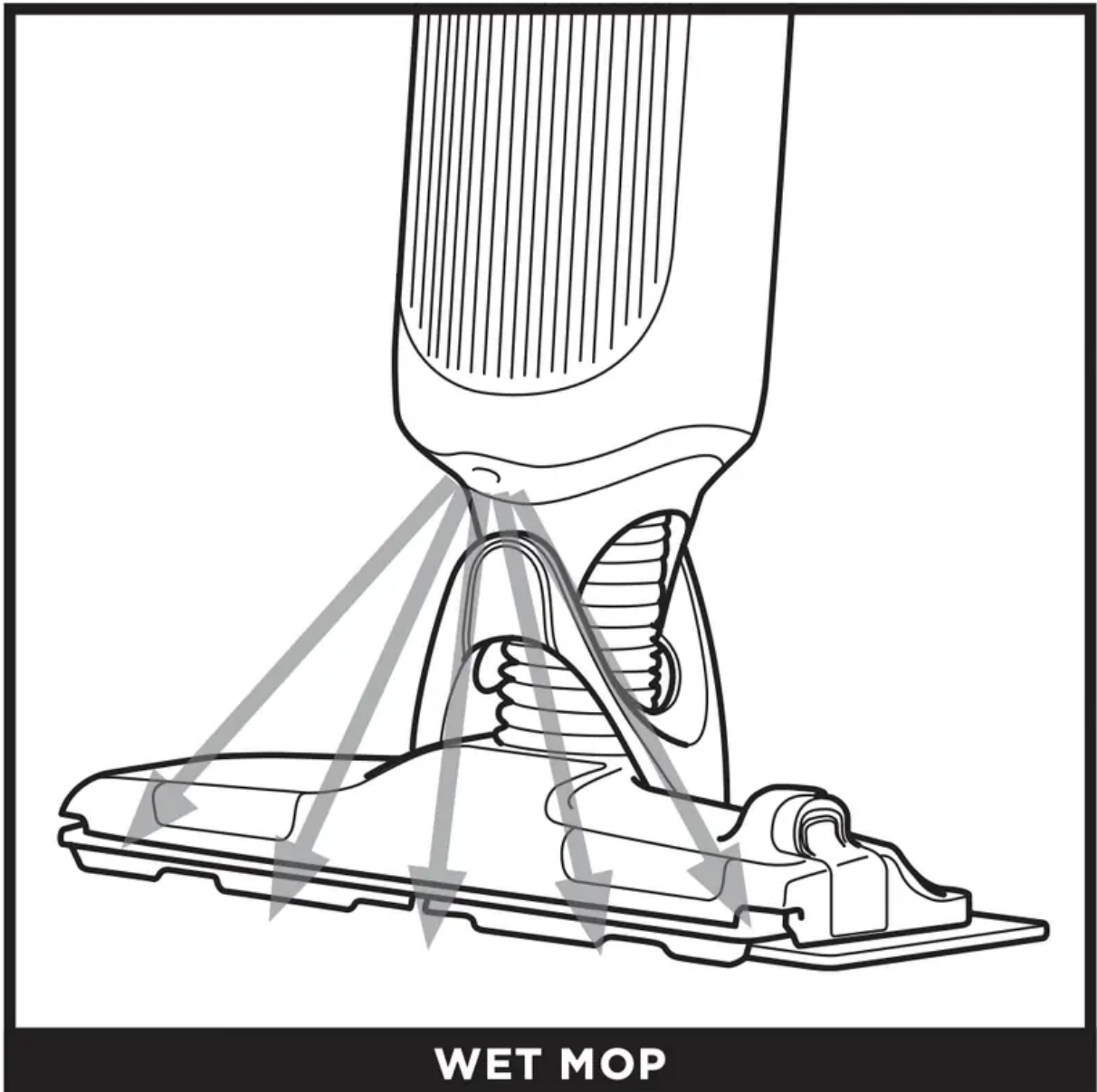


Lift the reservoir lid and press it up until it clicks into the open locked position. Carefully pour Shark VACMOP Cleaner into the reservoir, up to the MAX line. When finished, press the lid closed.

**NOTE:** Before using your unit for the first time, carefully add the entire starter bottle of Shark VACMOP Cleaner into the reservoir.

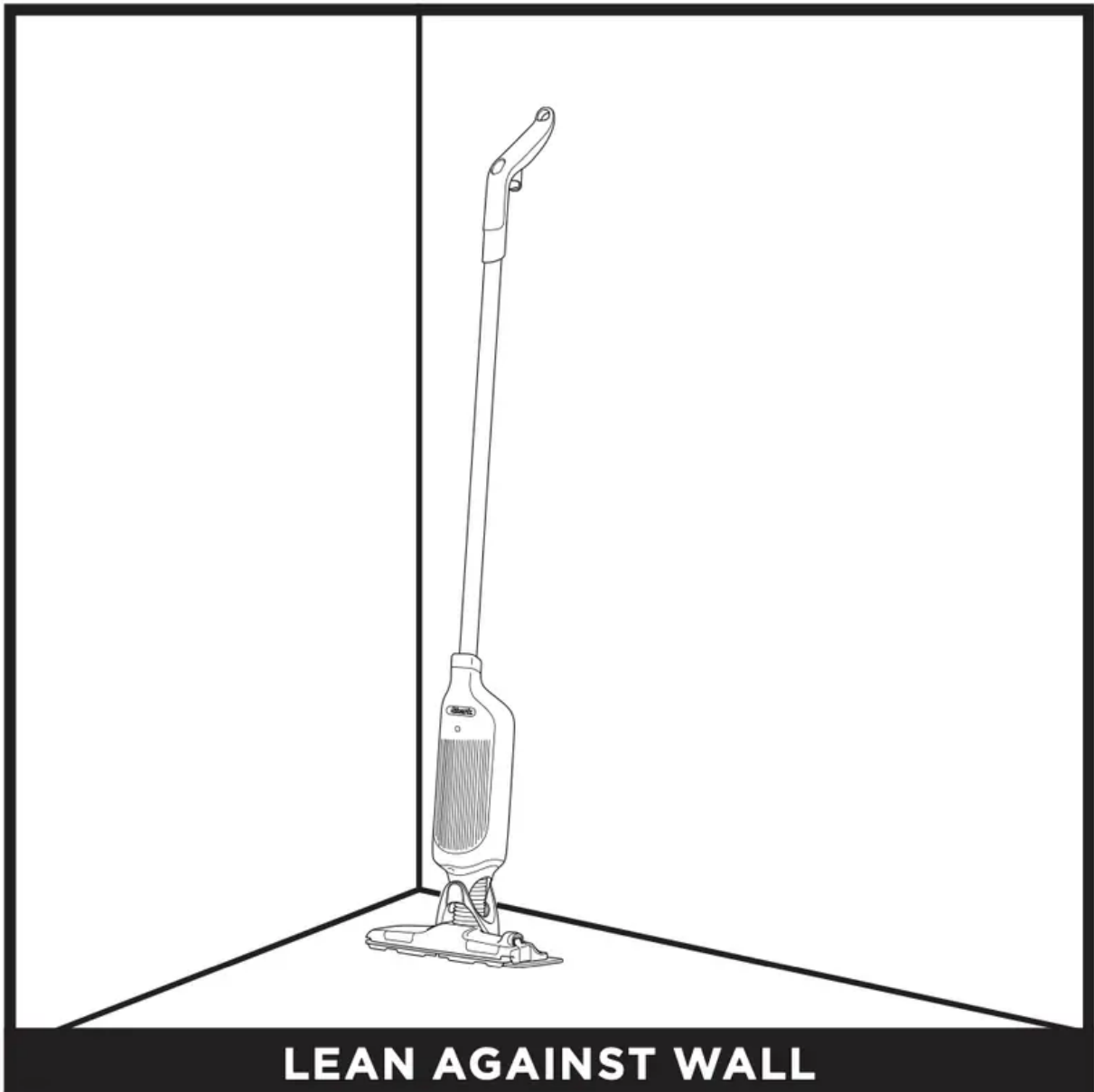
## CLEANING MODES

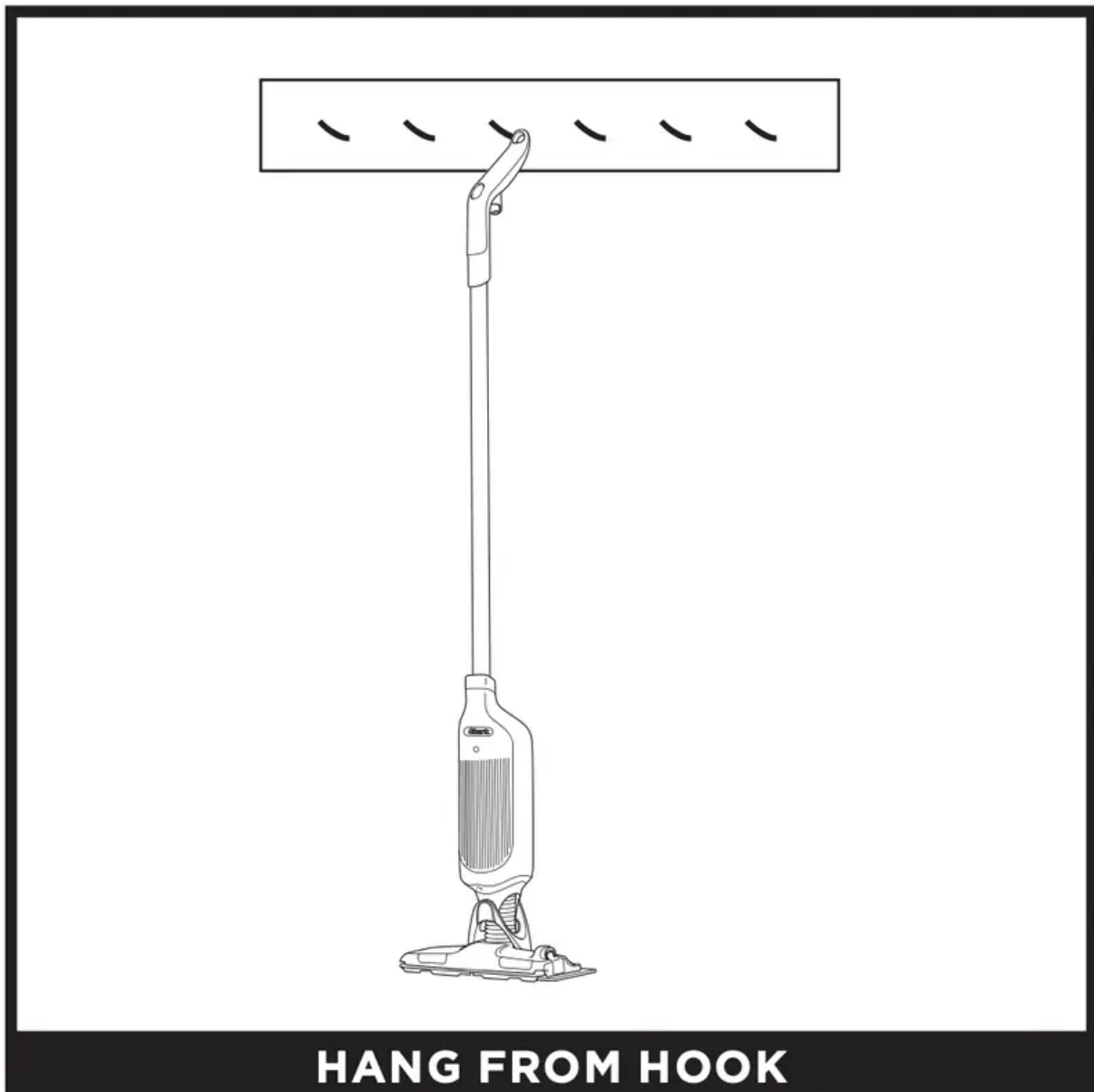




For best results, first use the vacuum to remove dry debris, then spray the Shark VACMOP Cleaner to wet mop.

## STORAGE





After wet cleaning, remove the pad from the VACMOP™ base before storing the unit.

To store the unit, stand it upright and lean the back of the non-slip handle against a wall.

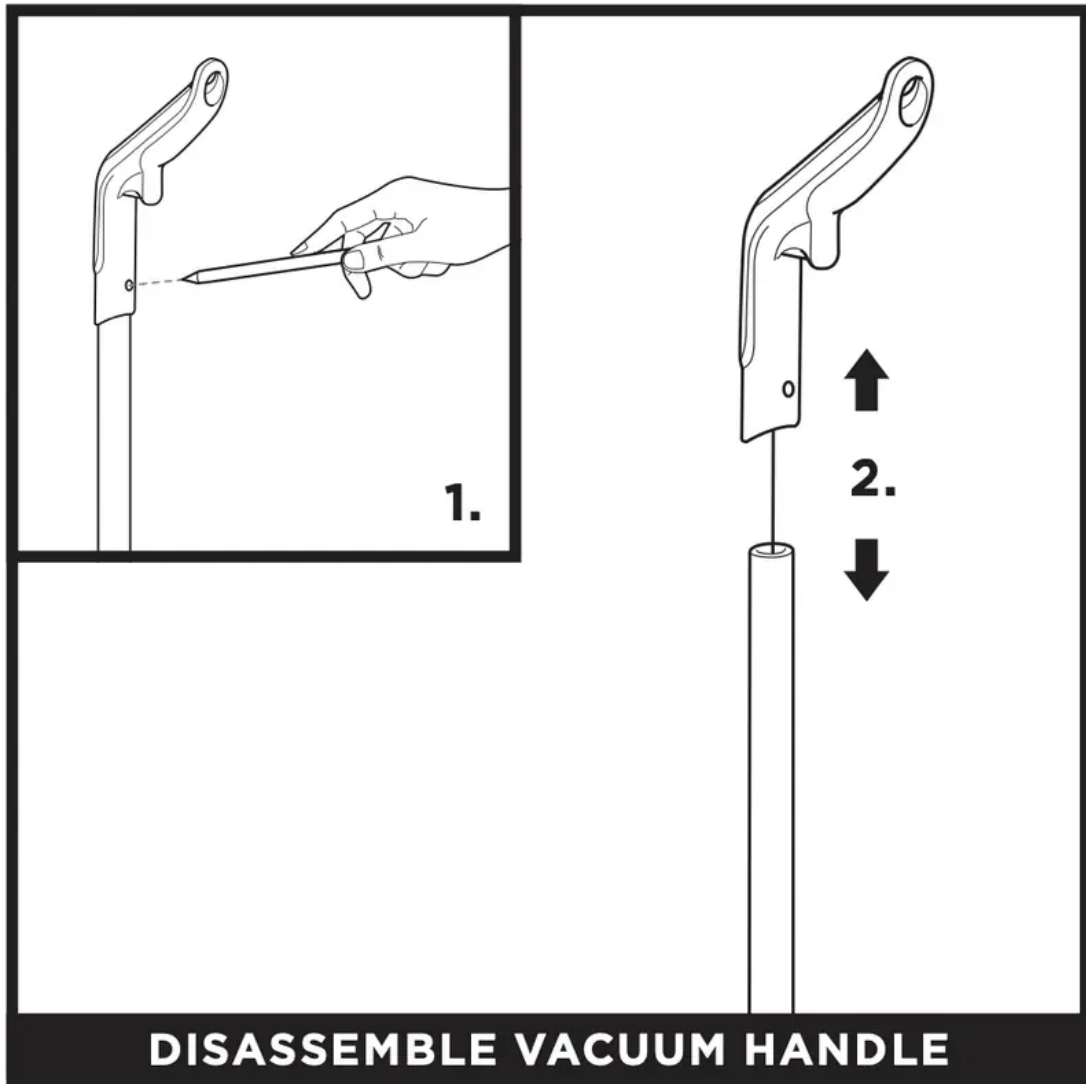
To hang the unit from a nail or wall hook (not included) align the opening at the end of the handle over the hook or nail.

## DISASSEMBLY

**NOTE:** Once the unit is assembled, do not take it apart, unless for repacking or shipping.

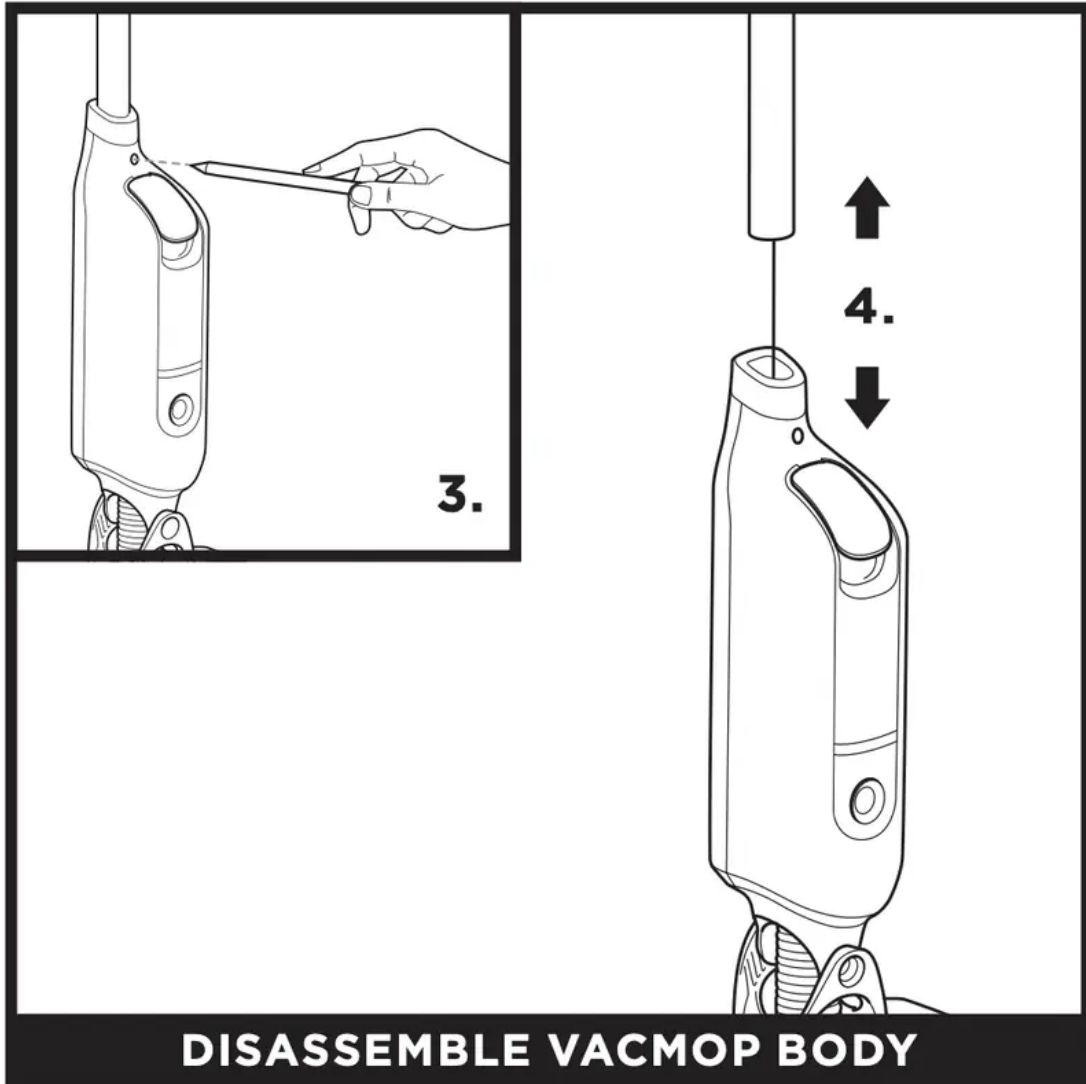
1. Press in the snap clip with a small tool (screwdriver, pen, etc.)

2. While pressing down on the top snap clip, pull the handle out of the pole.



3. Next, press in the snap clip on the VACMOP body with a small tool.

4. While pressing down on the bottom snap clip, pull the pole out of the VACMOP body.



## TROUBLESHOOTING

**VACMOP™ is not picking up debris. No suction or light suction.**

- The dirt chamber filter on the disposable pad may be saturated. Try using a new pad.  
**Note:** DO NOT vacuum up liquid or wet debris—this will cause reduced suction or no suction. Remove liquids and wet messes ONLY by mopping.
- VACMOP Disposable Pad may not be securely attached. Reattach the pad.
- VACMOP Disposable Pad may be full of debris and need to be replaced.
- Battery charge may be low. Recharge the battery completely.

**The unit turns off on its own. Sprayer is not spraying.**

- Make sure there is enough cleaning solution in the reservoir. Battery charge may be low. Recharge the battery completely.

### **Streaks appear on floor after wet mopping.**

- Shark® VACMOP Cleaner has been specially formulated to provide a residue-free, streak-free finish when used with the Shark VACMOP. Using other cleaning solutions may result in streaking and residue. If you find residue or streaking on your floors while using our cleaner, it may be due to one of the following:
- Your floor might not be fully dry yet. If you see streaks or suds while cleaning, just wait 5-10 minutes, and you should see them evaporate, leaving an even finish on your floors.
- Your floors might have built-up grime and dirt. The first few times you use your VACMOP, it will remove stuck-on dirt and debris that have built up over time. After a few cleaning sessions, the streaking and residue will subside.
- You may be using too much solution. If you continue to see streaking, reduce the amount of cleaning solution you use. Too much solution can cause stickiness and residue if not properly cleaned off of your floor.
- The disposable pad might need to be replaced. If you are cleaning multiple times with the same pad, you may be reintroducing dirt onto the floors. Replace your pad, and consider starting each mopping session with a fresh pad to alleviate the issue.

### **The unit makes scraping sounds when mopping.**

- Debris may be stuck on the face of the pad. Detach the pad and remove any embedded debris.
- The pad face may be rubbing against a rough or grainy surface. This will not damage your floors.
- If your floor is uneven, the dirt chamber on the pad could be brushing against a raised section of the floor.  
This will not damage your floors.
- Scrubbing forcefully can bring the dirt chamber in contact with the floor. This will not damage your floors.
- Moving the handle when spraying could cause the front of the VACMOP base to drag.  
This will not damage your floors.

## **FREQUENTLY ASKED QUESTIONS**

### **When should I replace my VACMOP Disposable Pad?**

- Replace the disposable pad when it becomes fully saturated, its dirt chamber is full, it is noticeably dirty, or if the VACMOP is showing signs of reduced suction power.

### **Where can I use my VACMOP?**

- VACMOP can safely be used on all sealed hard floors—stone, hardwood, vinyl, laminate, tile, marble, and linoleum.

### Can I vacuum and mop with the same disposable pad?

- VACMOP Disposable Pads can be used for both mopping and vacuuming. The dirt chamber collects and locks away dirt and debris when you vacuum, while the pad's fibers absorb messes as you mop. Dust and debris collected on the pad when vacuuming will be absorbed when mopping.

#### **Warning**

This content is compiled from multiple sources and is provided for reference purposes only. It may not be complete or fully applicable to all situations. If you are unable to resolve your issue, please contact the product manufacturer or an authorized service provider for official support.