

## This is user manual of the Home Air Purifier

### Warning

This product should be used only in accordance with the specifications outlined in this manual.

Usage other than what has been specified here may result in serious injury.

When using electrical appliances, basic precautions should always be followed to reduce the risk of fire, electric shock, and injury to persons, including the following:

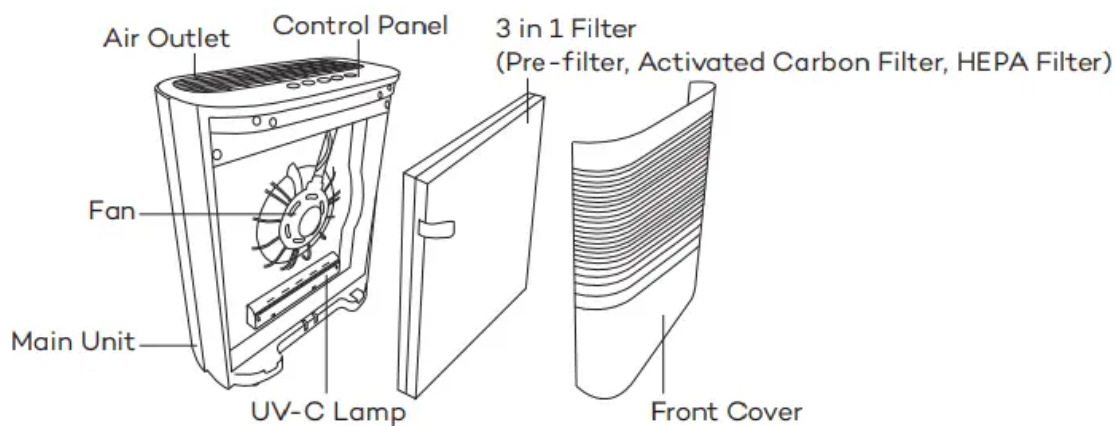
- Read all instructions before using appliance.
- **IMPORTANT**
  - This appliance has a polarized plug (one blade is wider than the other).
  - To reduce the risk of electric shock, this plug is intended to fit in a polarized outlet only one way.
  - If the plug does not fit fully in the outlet, reverse the plug. If it still does not fit, contact a qualified electrician. Do not attempt to rig this safety feature.
- To avoid fire or shock hazard, plug the appliance directly into a right AC electrical outlet.
- Keep the cord out of heavy traffic areas. To avoid fire hazard, NEVER put the cord under rugs, near heat registers, radiator, stoves, or heaters.
- To protect against electrical hazards, DO NOT immerse in water or other liquids. Do not use near water.
- Children cannot recognize the hazards associated with the usage of electrical appliances. For this reason, always supervise children when they are near the unit.
- Always unplug the air purifier before moving it, opening the grille, changing filters, cleaning or whenever the air purifier is not in use. Be sure to pull by the plug and not the cord.
- NEVER drop or insert any objects into any openings.
- DO NOT run the cord under carpeting.
- DO NOT cover the cord with throw rugs or similar coverings.
- DO NOT route the cord under furniture or appliances. Arrange the cord away from traffic area and where it will not be tripped over.
- DO NOT operate any appliance with a damaged cord or plug, if the motor fan fails to rotate, after the appliance malfunctions, or if it has been dropped or damaged in any manner. Send to Customer Service for assistance.
- Use appliance only for intended household purposes as described in this manual. Any other use is not recommended that may cause fire, electric shock, or injury to persons.
- DO NOT use outdoors.
- DO NOT place anything on top of the unit.

- NEVER block the air openings, grille / outlets or place on a soft surface such as a bed or sofa, as this could cause the unit to tip over, blocking the air inlet or outlet.
- DO NOT attempt to repair or adjust any electrical or mechanical functions on this unit. Doing so will void your warranty. The inside of the unit contains no user serviceable parts.
- All servicing should be performed by qualified personnel only. To reduce the risk of fire or electric shock, do not use this fan with any solid-state speed control device.

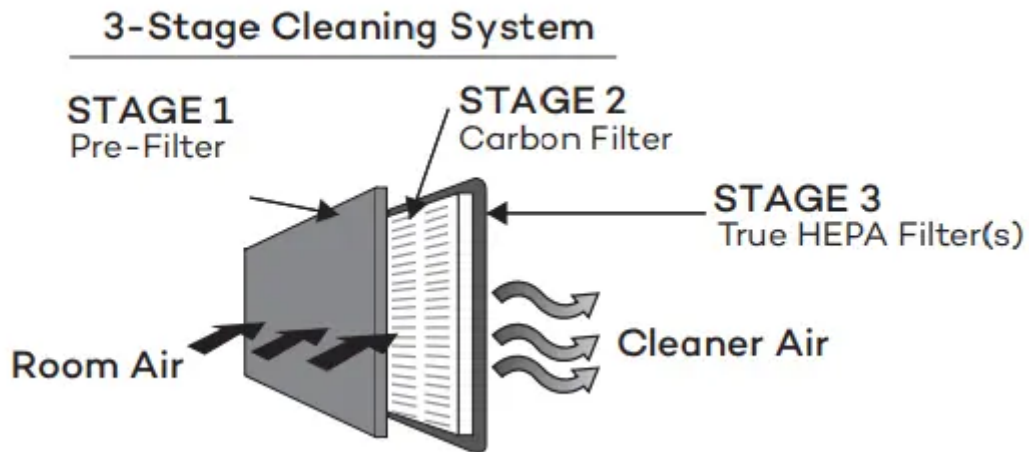
## Specifications

Rated Voltage	AC120V 60Hz
Rated Power	60W
Noise Level	30dB (Low) to 55dB (High)
UV Light	Wavelength: 254nanometers Lamp life: Approx. 20,000 hours
Coverage Area	Approx. 20 - 30 m <sup>2</sup> / 215 - 323 ft <sup>2</sup>

## Product Diagram



## Air Purifier Regime



This model air purifier incorporates a 3-stage cleaning system to clean the air that passes through the filter.

Stage 1: Dust and pollen reducing by the Pre-filter

Stage 2: Odor reducing by activated Carbon Filter

Stage 3: True HEPA Filter that captures particles as small as 0.3 microns or larger

## Installing & Removing

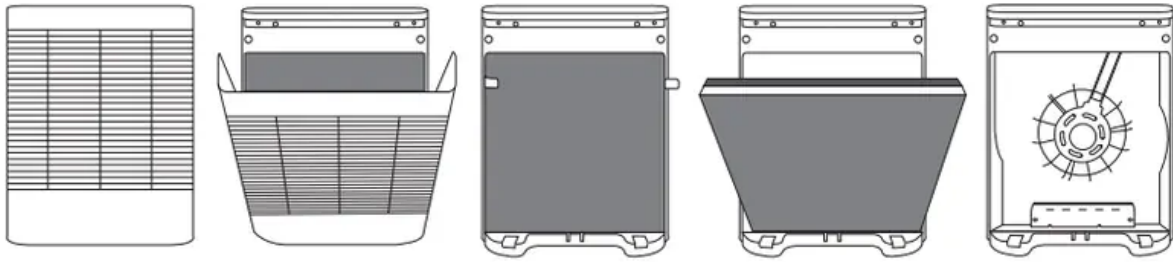
### Before Operating the Air Purifier

1. Carefully remove your air purifier from the box and plastic bag.
2. Put it on a firm, level, and flat surface. \*For proper air flow, locate the unit at least 1 foot / 30 cm from any wall or furniture. \*Make sure none of the grilles are blocked.
3. Before using, discard the package of the filter in the unit.
4. Plug the power cord into a right voltage AC outlet.

**\*IMPORTANT:** When moving the air purifier, always lift the unit by carrying the handle located on back.

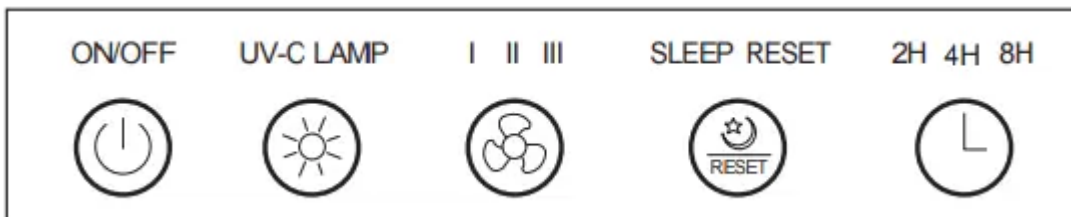
### Installing & Removing the Filter

*\*The filter will last approximately 6 months*



1. Open the front cover from the top.
2. Remove the filter by pulling the two tabs. 3. Discard the package of the new filter.
4. Insert the new filter into the unit. Consult the tabs on the filter for correct installation direction.
5. Reattach the front cover of the unit and securely latch into place.
6. Press and hold the RESET Button for 3-5 seconds to reset the Filter Change Indicator.

### Operating the Air Purifier



1. POWER BUTTON: Press to turn on / off the unit.
2. UVC BUTTON: Press to turn on / off the UV lamp.
3. SPEED BUTTON: Press to adjust the fan speed when the unit is in operation (Low I/ Medium II/ High III).
4. SLEEP/RESET BUTTON
  - Sleep Function
    - Press to activate sleep mode with only the sleep LED on, and the device will activate low fan speed mode automatically.
  - Reset Function
    1. Press and hold the SLEEP/RESET Button for 3 - 5 seconds to set the Filter Change Reminder.
    2. When the SLEEP/RESET (Change Filter Indicator) LED blinks, it indicates it's time to replace the filter. Depending on the actual use (environment and hours used), you may need to replace filters more or less frequently.
    3. After you've changed a new filter or you don't want to replace filter. Press and hold this button again for 3 - 5 seconds to reset the reminder, then the LED will turn off.
5. TIMER BUTTON

- 1) Press to set the purifier to operate for intervals of 2 hours, 4 hours and 8 hours, after which it stops automatically.
- 2) Press this button to select the required operating time. A corresponding LED will light up.
- 3) To select the continuous operating mode, press and hold the Timer Button until there is no indicator lighting up

**\*Important note:** When the unit is not in use, switch it off and unplug it.

## Cleaning & Maintenance

The air purifier should be cleaned at least once every month. More frequent cleaning may be required depending on environmental conditions.

### Filter

Clean with the brush of your vacuum cleaner to remove lint and dirt.

**\*NOTE:** Only the Extra Pre-filter is washable. And make sure the pre-filter is dry when fix back to the combination filter.

### \*CAUTION

- Use a clean, dry, soft cloth to wipe the external surface of the unit.
- Do NOT stick any foreign objects or your fingers inside of the unit.
- Do NOT use gasoline, benzine, thinner, harsh cleaners, etc. on and/or in the unit while cleaning as they will damage the product.
- NEVER use alcohol or other solvents.

### Warning

This content is compiled from multiple sources and is provided for reference purposes only. It may not be complete or fully applicable to all situations. If you are unable to resolve your issue, please contact the product manufacturer or an authorized service provider for official support.