

Feature

- Maintains a comfortable relative humidity level
- Capable of removing 20, 35, or 50 pints of water out of the air each day (depending on model)
- 20 pt. - 3.2 qt. (3 liter) tank
- 35/50 pt. - 6.3 qt. (6 liter) tank
- Automatically turns off when the tank is full
- Adjustable humidistat for complete control
- Portable design with caster wheels for easy movement and placement
- EnergyStar certified

Package contents

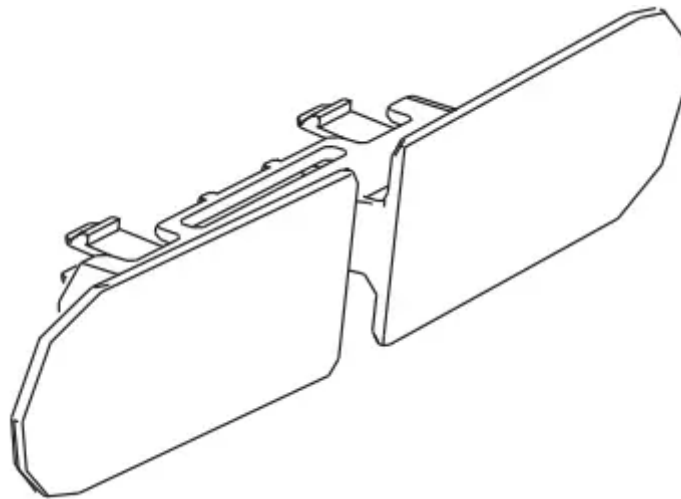


Dehumidifier





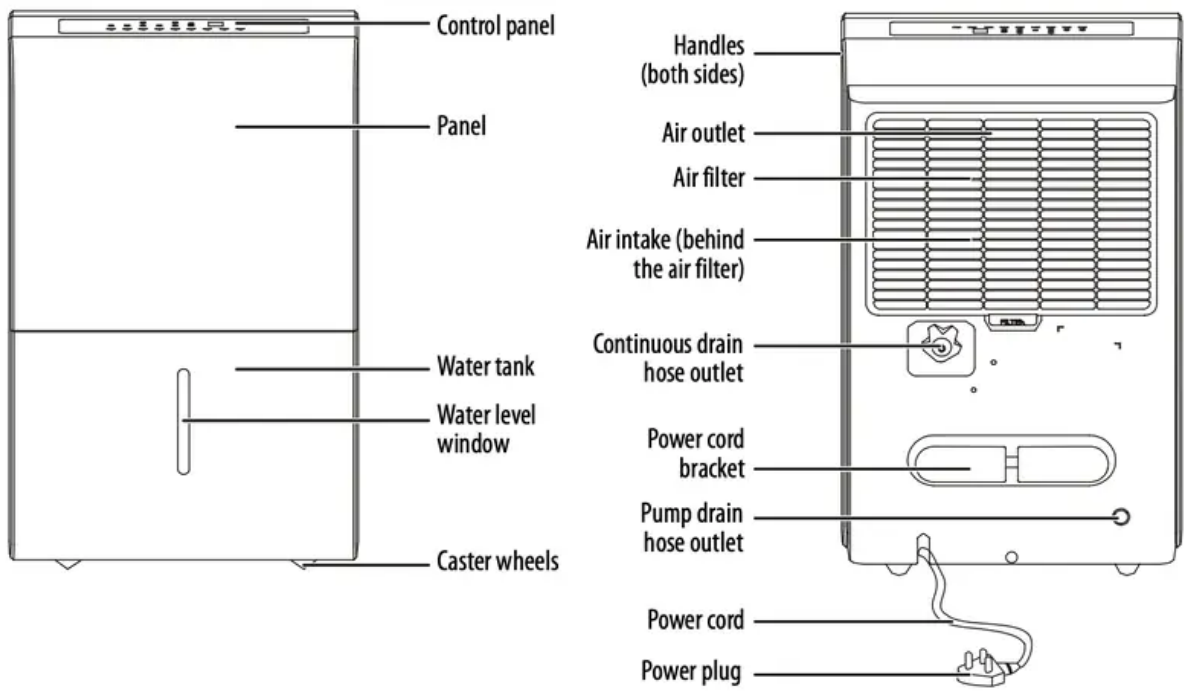
User Guide



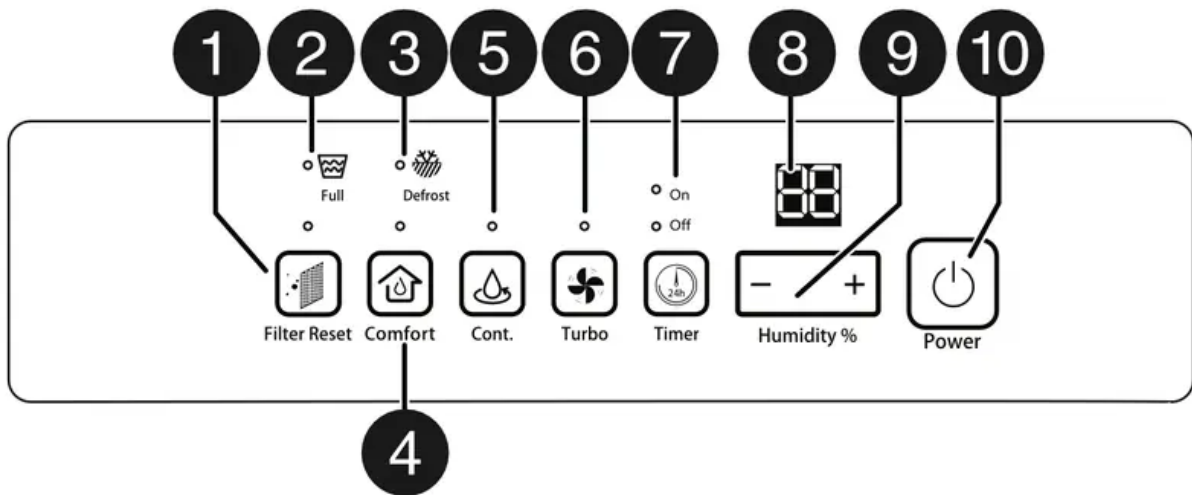
Power cord bracket

Components

Front and back



Control panel



#	FEATURE	FUNCTION
1	Filter Reset	The filter light flashes after 250 hours of operation, indicating that the air filter needs to be cleaned. To reset the light after cleaning the filter, press the FILTER button.
2	Full	Turns on when the water tank is full. Turn off the unit and empty the water tank.
3	(Auto) Defrost	Turns on when the dehumidifier is in auto defrost mode. The fan continues to run in this mode.
4	Comfort	Press to set the dehumidifier to the comfort setting (humidity is set to a preset level). The indicator LED turns on. The dehumidifier senses the temperature in the room and automatically adjusts the humidity to 45–55% for the optimal comfort. The length time the dehumidifier is on will vary, depending on ambient humidity and temperature. Press again or adjust the humidity level to turn off the comfort setting. The indicator LED turns off.
5	Cont. (Continuous dehumidifying)	Press to turn on continuous dehumidifying. The indicator LED turns on. Press again to turn off continuous dehumidifying. The indicator LED turns off.
6	Turbo	Press to set the fan speed to high. The indicator LED turns on. Press again to set the fan speed to normal. The indicator LED turns off.
7	Timer	Press to initiate the Auto Start and Auto Stop programs. See Auto Start and Auto Stop timers on page 10.
8	LED Display	Normally displays the actual room relative humidity level (from 30% to 90%). When setting the desired humidity level, displays the setting level from 35% to 85%. When setting the auto start/stop time, displays the time (0~24 hours).
9	Humidity % +/- buttons	Use to set the desired humidity level from 35% to 85% (in 5% increments). When auto start/stop mode is initiated, press to set the time until auto start is initiated, then press to set the duration until auto stop turns the unit off.
10	Power	Press to turn the power on or off.

Notes:

- Touch the control panel lightly when pressing the keys.
- To avoid scratching the control panel, do not touch it with sharp objects.

Using your dehumidifier

1. Plug your dehumidifier's power plug into a power outlet.
2. Press the POWER button, then set your dehumidifier to the desired humidity level.

Notes:

- When the set humidity level is reached, the dehumidifier turns off automatically.

- When the dehumidifier is turned off, it cannot be restarted again for three minutes.
- When frost builds up on the evaporator coils, the compressor cycles off and the fan continues to run until the frost is eliminated.
- If the dehumidifier is turned off due to a power outage, it automatically restarts when the power is restored.

Setting the humidity level

1. For drier air, press the ◀ button to set a lower humidity level.
2. For damper air, press the ▶ button to set a higher humidity level.

Note: The humidity level can be set to from 35-85% relative humidity, in increments of 5%.

Auto Start and Auto Stop timers

Your dehumidifier has the option to set a timer to turn it on and/or to turn it off. When you set the Auto Start or Auto Stop timers, the On or Off LED indicators light to remind you which timer has been set. When both the Auto Start and Auto Stop times are set in the same sequence, both the On and Off indicator lights remain lit.

Notes:

- The timer settings are for one-time only and will need to be set each time you want your dehumidifier to turn on and off by itself.
- You do not have to use the Auto Start and Auto Stop timers together. You can set one or the other.
- Turning your dehumidifier on or off at any time or adjusting the timer setting to 0.0 will cancel the timer function.
- If the LED display shows P2, the timer function is canceled. The P2 error code displays when the water tank is full or is not in the right position.

Setting the Auto Start timer

1. Press TIMER until the On indicator LED turns on.
2. Press and hold the ◀ or ▶ buttons to select the number of hours before your dehumidifier will automatically turn on, then wait for the LED display to return to its previous state. The setting is saved.

Note: The ◀ or ▶ buttons increment by 0.5 hours up to 10 hours. After you reach 10, the ◀ or ▶ buttons increment by 1 hour up to 24 hours.

Setting the Auto Stop timer

1. Press TIMER until the Off indicator LED turns on.
2. Press and hold the ◀ or ▶ buttons to select the number of hours before your dehumidifier will automatically turn off, then wait for the LED display to return to its previous state. The setting is saved.

Notes: The ◀ or ▶ buttons increment by 0.5 hours up to 10 hours. After you reach 10, the ◀ or ▶ buttons increment by 1 hour up to 24 hours.

Removing collected water

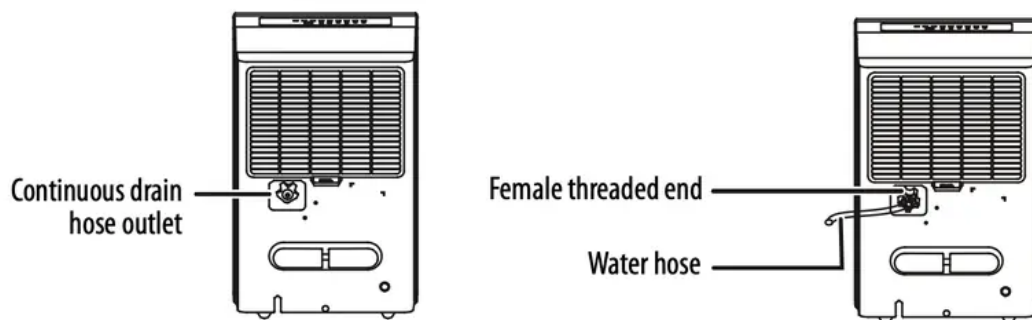
1. When the Full indicator lights, remove the tank from your dehumidifier.
2. Pour the water out, then reinsert the tank into your dehumidifier.

Notes:

- When the tank is full, your dehumidifier automatically turns off and the Full indicator lights.
- Your dehumidifier will automatically restart when the tank is back in place.
- If you remove the tank while your dehumidifier is running, the LED display shows "P2" and your dehumidifier stops running.

Removing collected water with continuous draining

1. Remove the plastic cover from the continuous drain hose outlet.
2. Screw a 5/16" drain hose (not included) onto the female threaded end of the continuous drain hose outlet.



3. Direct the hose towards a floor drain.

Note: Make sure there are no kinks in the hose, as they may stop collected water from draining.

Maintaining your dehumidifier

Preparing for maintenance

1. Turn your dehumidifier off.
2. Disconnect your dehumidifier's plug from the power supply.

Cleaning the grill and case

1. Use water and a mild detergent to clean the grill and case.
2. Use a vacuum cleaner or brush to clean the air intake.

Note: Do not splash water directly onto your dehumidifier. Doing so may cause an electrical shock, deterioration of the insulation, or rust.

Cleaning the tank

1. Remove the tank from your dehumidifier, then fill the tank with water and a mild detergent.
2. Swish the water and detergent around in the tank, then empty and rinse the tank.
3. Let the tank air dry or dry it with a cloth, then place it back into your dehumidifier.

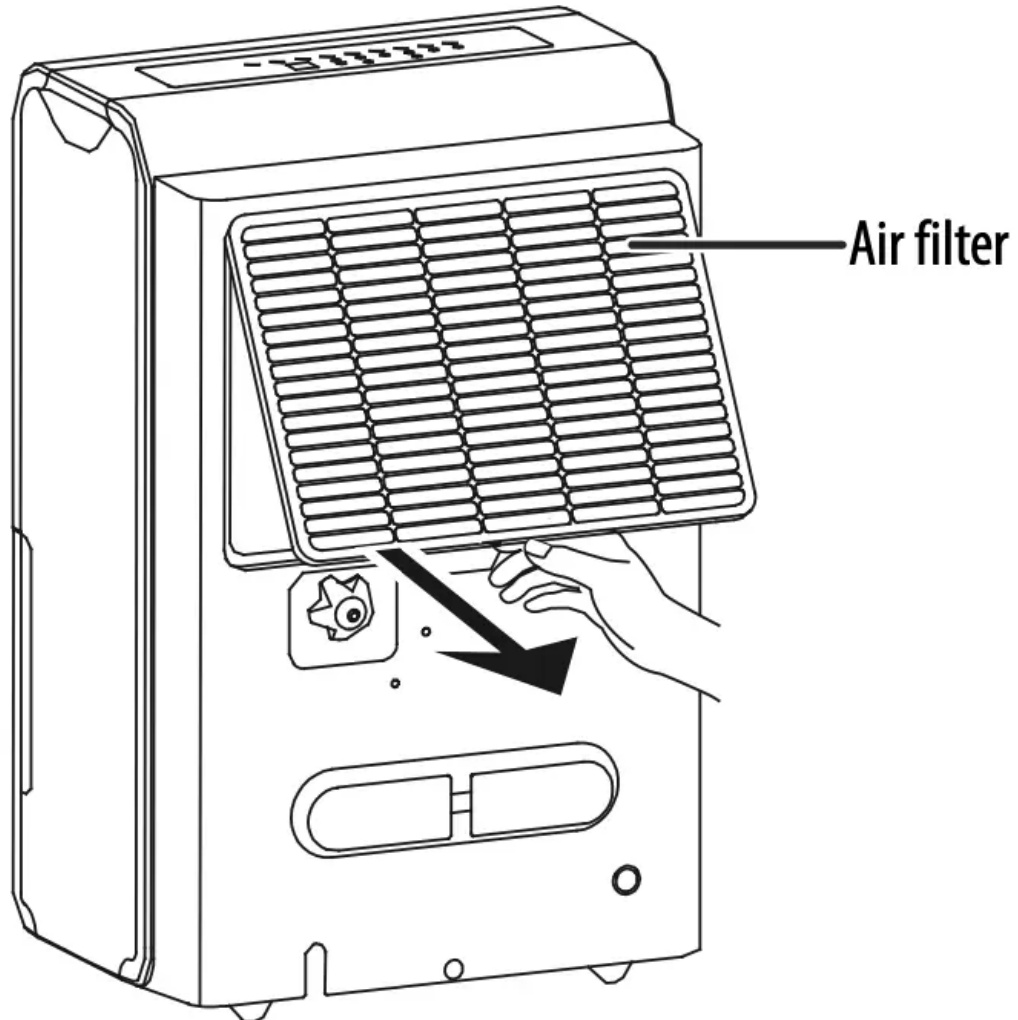
Notes:

- Clean the tank every few weeks to prevent growth of mold, mildew, and bacteria.
- Do not use a dishwasher to clean the tank.

Cleaning the air filter

The air filter should be cleaned after 250 hours of use or 30 days, whichever comes first. The FILTER LED indicator lights up after 250 hours of use to indicate when to clean the filter.

1. Remove the air filter by pulling it outwards.



2. Wash the filter with water, then let it air dry.
3. Reinstall the filter, then press Filter Reset.

CAUTION: Do not use your dehumidifier without a filter. Doing so may allow dirt and lint to damage your dehumidifier.

Storing your dehumidifier

1. Before storing, let your dehumidifier rest for one full day so that it can air dry, then empty the water tank.
2. Clean the grill, case, tank, and air filter.
3. Wrap the power cord around the power cord buckle.
4. Cover your dehumidifier with a plastic bag.

5. Store the unit upright in a dry, well-ventilated area.

Troubleshooting



PROBLEM	SOLUTION
My dehumidifier does not start	<ul style="list-style-type: none"> • Make sure that your dehumidifier is plugged in. • Make sure that the water tank is in the proper position. • Check if the water tank is full. • Check if your dehumidifier has reached your set humidity level. • Check the house fuse/circuit breaker box.
My dehumidifier does not dry the air as it should	<ul style="list-style-type: none"> • Make sure that you have allowed your dehumidifier enough time to remove moisture from the air. • Make sure that there are no curtains, blinds, or furniture blocking the front or back of the dehumidifier. • Lower the humidity level. • Make sure that all doors, windows, and other openings are closed. • Make sure that the room's temperature is not below 41°F (5° C). • Make sure that there isn't a water vapor source in your room.
My dehumidifier makes a loud noise when operating	<ul style="list-style-type: none"> • Make sure that the air filter is not dirty. If it is, clean the air filter. • Make sure that your dehumidifier is upright and is placed on a level floor. • Your dehumidifier may sound loud for the first two or three minutes of operation while the compressor starts up.
My dehumidifier makes a soft, swishing noise when operating	<ul style="list-style-type: none"> • This is normal. Your dehumidifier has liquid refrigerant flowing inside of it.
My dehumidifier makes a gurgling noise when operating	<ul style="list-style-type: none"> • Make sure that your dehumidifier is upright and is placed on a level floor.



PROBLEM	SOLUTION
Frost appears on my dehumidifier's coils	<ul style="list-style-type: none"> This is normal. Your dehumidifier has an auto defrost feature that starts when too much frost buildup occurs.
There is water on my floor	<ul style="list-style-type: none"> If you are using the water tank, make sure that the back drain plug is in place. If you are using the drain hose, make sure that the hose is connected securely to your dehumidifier.
The LED display shows ES, A'S, P2, or Eb	<ul style="list-style-type: none"> These are error and protection codes. See Understanding the LED display codes below.

Understanding the LED display codes

CODE	MEANING
Error	
AS	Humidity sensor error. Unplug your dehumidifier and plug it back in. If the error persists, contact Customer Service.
ES	Evaporator tube temperature sensor error. Unplug your dehumidifier and plug it back in. If the error persists, contact Customer Service.
Eb	The water tank has been removed or is not in the correct position. Replace the tank in the correct position. This code only displays on units with the pump feature.
Protection	
P2	The water tank is full or is not in the correct position. Empty the tank or place it in the correct position. On units with pump feature - The water tank is full and needs to be emptied.

Warning

This content is compiled from multiple sources and is provided for reference purposes only. It may not be complete or fully applicable to all situations. If you are unable to resolve your issue, please contact the product manufacturer or an authorized service provider for official support.

Document generated by [ManualsFile](#)

