

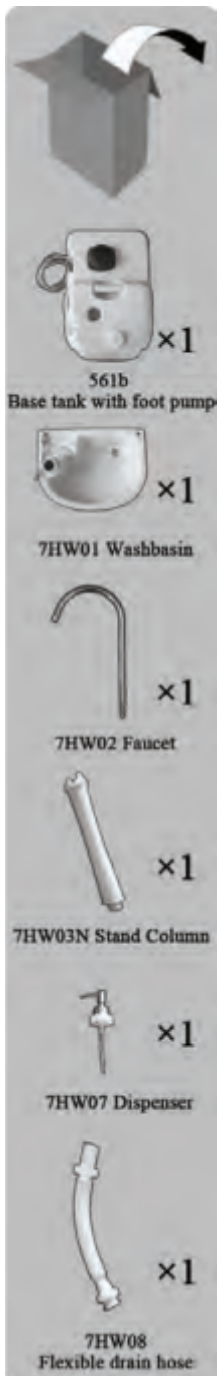
Features

1. 180ml. water will be pumped out continuously by one step.
2. 19L fresh water tank, 3L liquid soap tank.
3. More than 100 washes by a single fill-up.
4. Imliquid soap dispenser included.
5. Equipped with multipurpose towel rack.
6. Equipped with wheels for moving.
7. Equipped with flexible hose for draining.

WARNING:

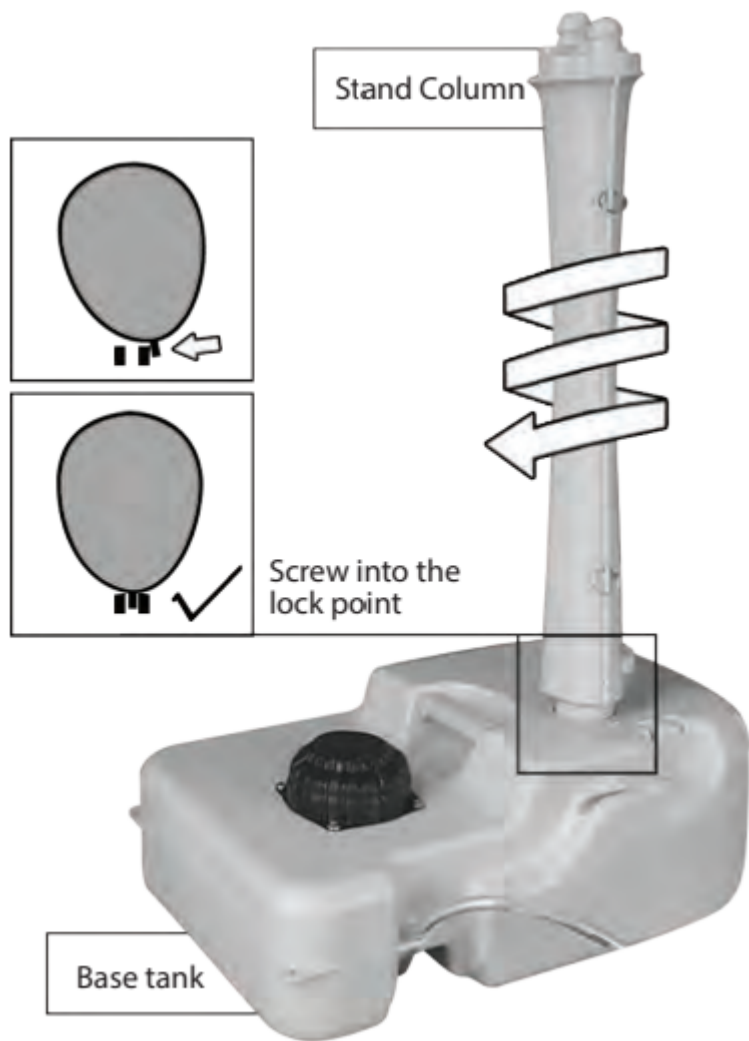
- Please always assemble according to the instruction.
- Base tank can be fixed on ground through four holes at the corner if necessary

What's in the box

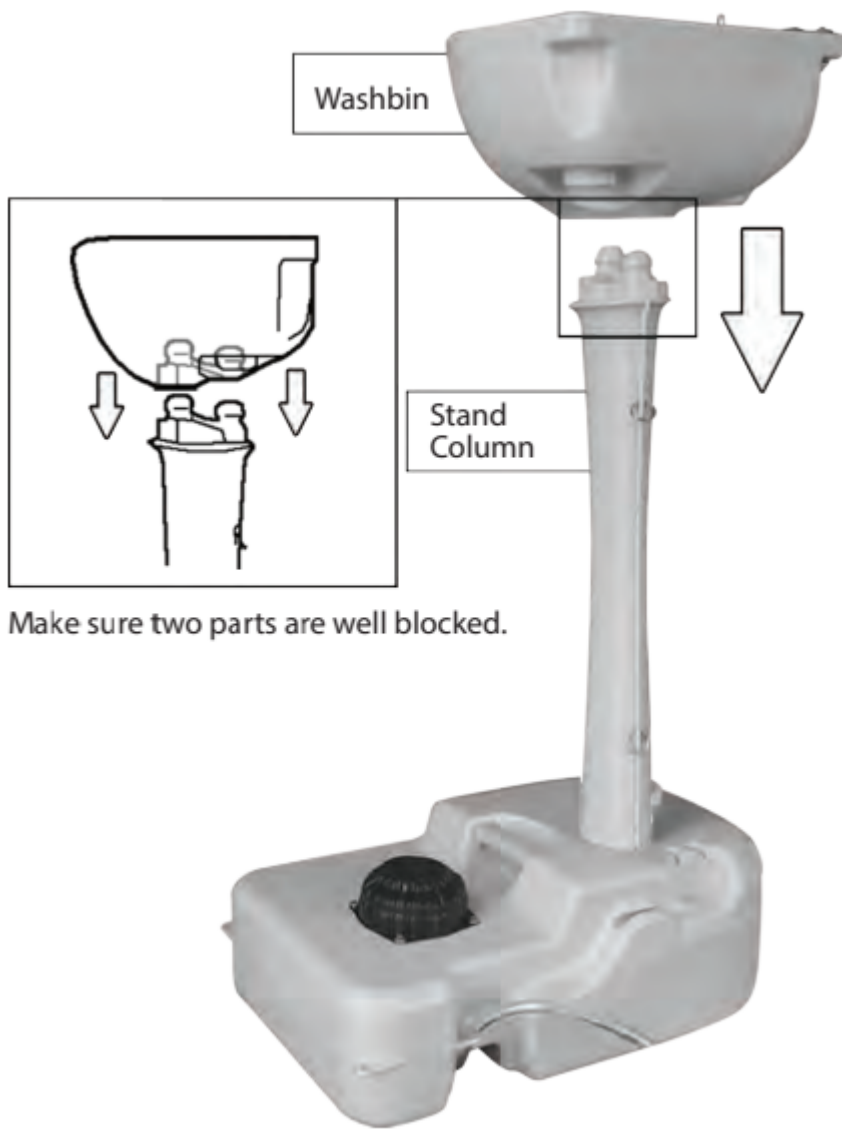


How To Use

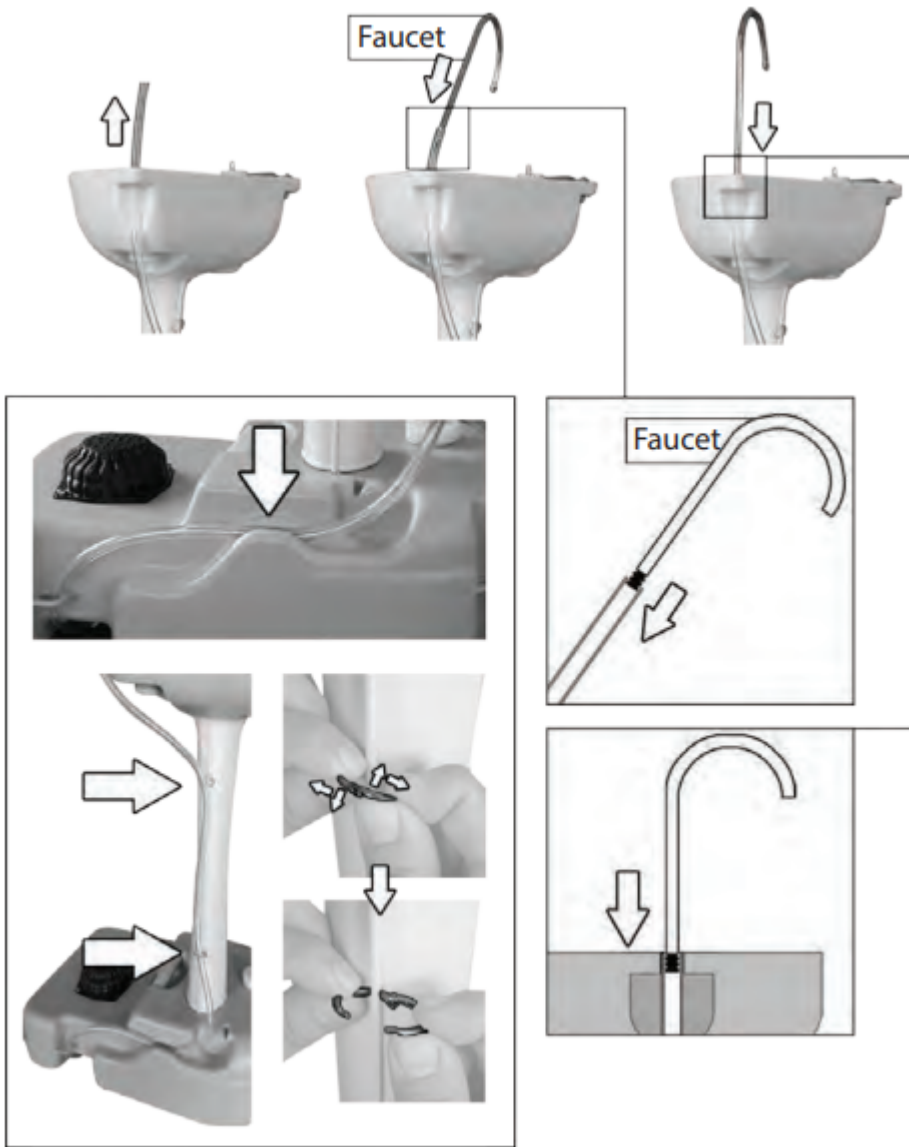
1. Screw the stand column in the base tank



2. Assemble the washbasin on the top of the stand column.



3. Insert faucet into transparent tube and fix it on the washbasin, then fix the tube with base tank and stand column.

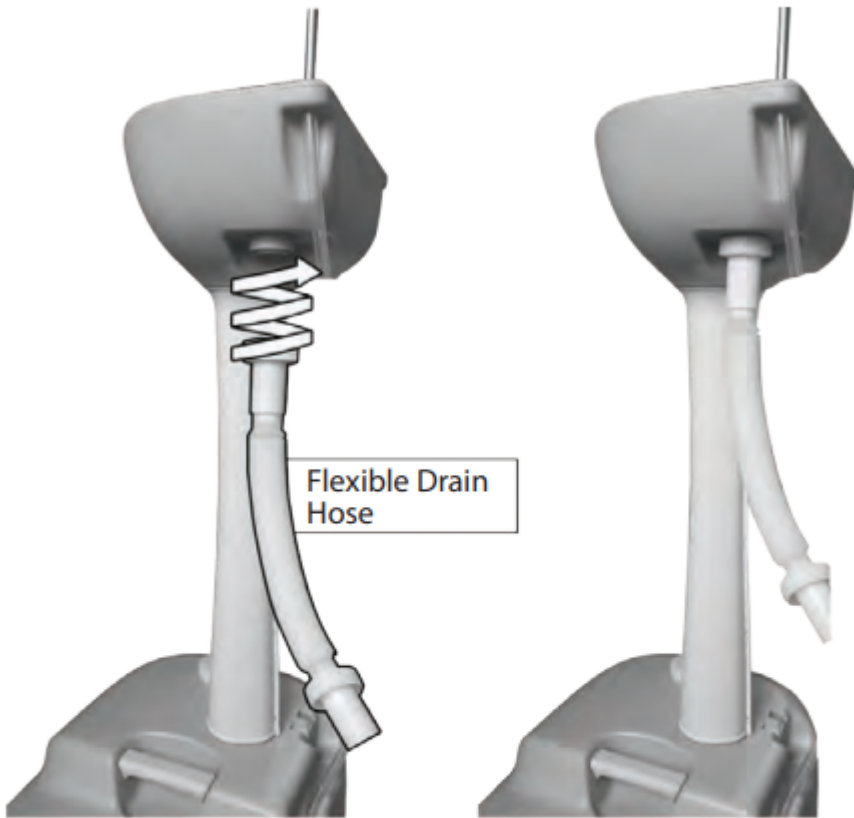


4. Fill the liquid soap into the tank and assemble the dispenser

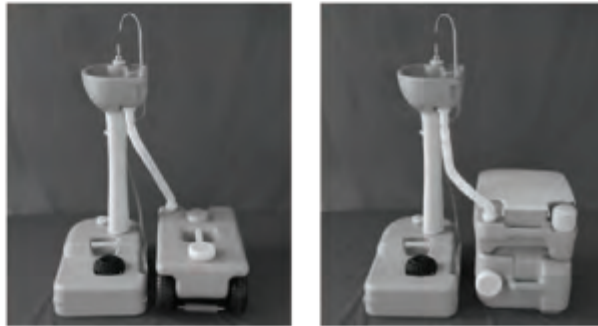




5. Screw the flexible drain hose on the washbasin.



Flexible Drain
Hose



*Demonstration only, water tank and portable toilet are not included.

6. Fill fresh water into base tank and step foot pump for handwash.



Equipped with multipurpose towel rack

Base tank can be fixed on ground through four holes at the corner if necessary. Pegs are sold separately, not included.



Warning

This content is compiled from multiple sources and is provided for reference purposes only. It may not be complete or fully applicable to all situations. If you are unable to resolve your issue, please contact the product manufacturer or an authorized service provider for official support.

Document generated by [ManualsFile](#)

