

## User Manual

### WARNING Fire Hazard:

- If contents ignite, do not open oven door. Unplug toaster oven and allow contents to stop burning and cool before opening door.
- Do not operate unattended while in Toast or Broil modes.
- Do not use oven cooking bags.
- Do not heat taco shells in toaster oven. Always use full-size conventional oven.
- Always allow at least 1 inch (2.5 cm) between food and heating element.
- Always unplug toaster oven when not in use.
- Regular cleaning reduces risk of fire hazard.

## IMPORTANT SAFEGUARDS

When using electrical appliances, basic safety precautions should always be followed to reduce the risk of fire, electric shock, and/or injury to persons, including the following:

1. Read all instructions.
2. This appliance is not intended for use by persons (including children) with reduced physical, sensory, or mental capabilities, or lack of experience and knowledge, unless they are closely supervised and instructed concerning use of the appliance by a person responsible for their safety.
3. Close supervision is necessary when any appliance is used by or near children. Children should be supervised to ensure that they do not play with the appliance.
4. Do not touch hot surfaces. Use handles or knobs.
5. To protect against electrical shock, do not immerse cord, plug, or toaster oven in water or other liquid.
6. Unplug from outlet when not in use and before cleaning. Allow to cool before cleaning appliance and putting on or taking off parts.
7. Do not operate any appliance with a damaged supply cord or plug, or after the appliance malfunctions or has been dropped or damaged in any manner. Supply cord replacement and repairs must be conducted by the manufacturer, its service agent, or similarly qualified persons in order to avoid a hazard. Call the provided customer service number for information on examination, repair, or adjustment.
8. The use of accessory attachments not recommended by the appliance manufacturer may cause injuries.
9. Do not use outdoors.
10. Do not let cord hang over edge of table or counter or touch hot surfaces.

11. Do not place on or near a hot gas or electric burner or in a heated oven.
12. Extreme caution must be used when moving an appliance containing hot oil or other hot liquids.
13. To disconnect, turn all controls to OFF ; then remove plug from wall outlet.
14. Use extreme caution when removing pan or disposing of hot grease.
15. Do not clean with metal scouring pads. Pieces can break off the pad and touch electrical parts, creating a risk of electrical shock.
16. Oversize foods or metal utensils must not be inserted in an oven as they may create a fire or risk of electric shock.
17. The bread may burn. A fire may occur if toaster is covered or touching flammable material, including curtains, draperies, walls, overhead cabinets, paper or plastic products, cloth towels, and the like, when in operation.
18. Extreme caution should be exercised when using containers constructed of materials other than metal or glass.
19. Do not store any materials, other than manufacturer-recommended accessories, in this oven when not in use.
20. Do not place any of the following materials in the oven: paper, cardboard, plastic, and the like.
21. Do not cover crumb tray or any part of the oven with metal foil. This will cause overheating of the oven.
22. To turn oven off, turn Toast/Timer and OFF to OFF position.
23. Do not place eyes or face in close proximity with tempered safety glass door, in the event that the safety glass breaks.
24. Always use appliance with crumb tray securely in place.
25. Do not use appliance for other than intended use.
26. Clean oven interior carefully. Do not scratch or damage heating element tube.
27. Check that the control is OFF before plugging cord into wall outlet. To disconnect, turn the control to OFF then remove plug from wall outlet.
28. Do not operate the appliance by means of an external timer or separate remote-control system.
29. **CAUTION: HOT SURFACE.** The temperature of accessible surfaces may be high when the appliance is operating.

## **SAVE THESE INSTRUCTIONS**

### **(Other Consumer Safety Information)**

**This appliance is intended for household use only.**

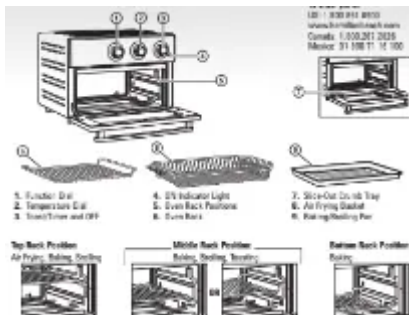
**WARNING Electrical Shock Hazard:** This appliance is provided with a polarized plug (one wide blade) to reduce the risk of electric shock. The plug fits only one way into a polarized outlet. Do not defeat the safety purpose of the plug by modifying the plug in any way or by using an adapter. If the plug does not fit fully into the outlet, reverse the plug. If it still does not fit, have an electrician replace the outlet. The length of the cord used on this appliance was selected to reduce the hazards of becoming tangled in or tripping over a longer cord. If a longer cord is necessary, an approved extension cord may be used.

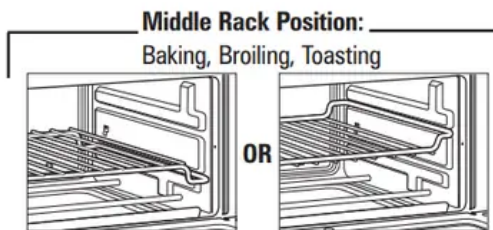
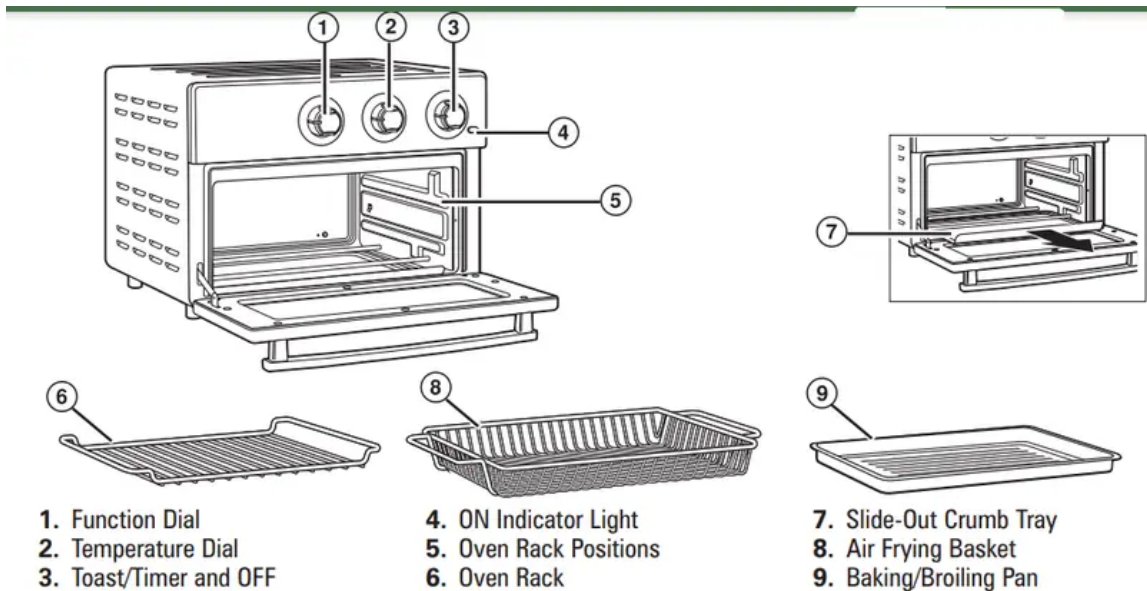
The electrical rating of the extension cord must be equal to or greater than the rating of the appliance. Care must be taken to arrange the extension cord so that it will not drape over the countertop or tabletop where it can be pulled on by children or accidentally tripped over.

This appliance is equipped with a fully tempered safety glass door. The tempered glass is four times stronger than ordinary glass and more resistant to breakage. Tempered glass can break; however, it breaks into pieces with no sharp edges. Care must be taken to avoid scratching door surface or nicking edges. If the door has a scratch or nick, call our toll-free customer service number.

Always unplug your toaster oven from the outlet when not in use.

## Part and Features:





## How to Use

### WARNING Fire Hazard.

- If contents ignite, do not open oven door. Unplug toaster oven and allow contents to stop burning and cool before opening door.
- Do not use oven cooking bags.
- Always allow at least 1 inch (2.5 cm) between food and heating element.
- Always unplug toaster oven when not in use.

**Before first use:** Most heating appliances produce an odor and/or smoke when used the first time. Plug Toaster Oven into an outlet. Turn Temperature Dial to 450°F (230°C). Heat at this temperature for 10 minutes. Odor should not be present after this initial preheating.

**Wash Air Frying Basket, Baking/Broiling Pan, Broil Rack, and Oven Rack before using. Baking/Broiling Pan is packed upside down for shipping. For cooking, ensure that Pan slides into position right-side up under Air Fry Basket or Oven Rack to catch drippings.**

## Air Fry Mode

Use Air Fry mode to crisp foods using little added oil for faster cooking.

1. Plug into outlet. Place Oven Rack in Bottom Rack Position.
2. Add food to Air Frying Basket. Slide Basket into Top Rack Position, then always slide Baking/Broiling Pan into Bottom Rack Position to catch drippings.
3. Turn Temperature Dial to desired temperature.
4. Rotate Function Dial to Air Fry.
5. Rotate Timer clockwise past 10, then to the desired baking time. Or, rotate to Stay On while pressing and holding buttons on side of Dial.
6. If time is selected, Timer will sound when selected time is complete.
7. Unplug.

## Cooking Guide

**NOTE:** Foods may need to be flipped, stirred, or rotated during cooking. Foods that cannot be flipped might need to be lightly covered with foil, if getting too brown. Cooking times are suggestions. Cook food until crisp and golden brown.

Food	Amount	Mode	Temperature	Time
<b>Frozen Fries and Snacks</b>				
Frozen mozzarella sticks	1 package (32 ounces)	Air Fry	400°F (204°C)	22-24 minutes
Frozen chicken nuggets	1/2 package (16 ounces)	Air Fry	400°F (204°C)	10-12 minutes
Frozen breaded chicken tenders	about 15 strips (16 ounces)	Air Fry	400°F (204°C)	12-14 minutes
<b>Vegetables</b>				
Cauliflower	1 small head, cut in florets	Air Fry	400°F (204°C)	18-20 minutes
Fresh potato wedges	16 pieces, 2 large potatoes	Air Fry	400°F (204°C)	22-24 minutes
<b>Meat &amp; Poultry</b>				
Fresh whole chicken wings	8-9 chicken wings	Air Fry	400°F (204°C)	25-30 minutes
Fresh chicken tenders	about 2 pounds (32 ounces)	Air Fry	400°F (204°C)	15-18 minutes
Whole chicken	about 4 pounds (64 ounces)	Air Fry	350°F (177°C)	45-50 minutes, turn halfway
Hamburger (3/4" thick) 80% lean, 20% fat	4 hamburgers (4 ounces each)	Broil		12-14 minutes
Hamburger (3/4" thick) 80% lean, 20% fat	4 hamburgers (4 ounces each)	Air Fry	375°F (191°C)	21-24 minutes
Ribeye steak (1" thick)	2 steaks (1 pound, 7.5 ounces combined)	Air Fry	400°F (204°C)	18-23 minutes
<b>Fish &amp; Seafood</b>				
Fresh fish fillet	4 fillets (6 ounces each)	Air Fry	350°F (177°C)	15-17 minutes
<b>Bakery &amp; Desserts</b>				
Refrigerated biscuits	8 biscuits	Bake	350°F (177°C)	11-15 minutes
<b>Sheet Pan Dinner</b>				
Pork tenderloin and veggies	Times based on 1 pound pork tenderloin, 2 medium carrots, 2 small red potatoes, 1/2 onion cut in pieces, salt, pepper and 1 tablespoon olive oil	Convection Bake	425°F (218°C)	20 minutes, turn vegetables and brush on glaze; 10 minutes longer or until internal temp. of pork is 160°F (71°C).

## Bake or Convection Bake Mode

Use Bake or Convection Bake mode for cakes, casseroles, cookies and roasting meats, poultry or vegetables. Place Oven Rack in middle or bottom position. Preheating Toaster Oven for 5 minutes is necessary for Bake or Convection Bake mode. When using Convection Bake mode, reduce cooking time by 25% or temperature by 25°F.

1. Plug into outlet. Turn Temperature Dial to desired temperature, then turn Function Dial to Bake or Convection Bake.
2. Rotate Timer clockwise past 10, then back to "dark toast" to preheat Toaster Oven for 5 minutes before beginning to bake.
3. After Toaster Oven is preheated, set Timer to desired time by rotating clockwise past 10, then to the desired baking time. Or, rotate to Stay On while pressing and holding buttons on side of Dial.
4. Rotate Timer to OFF to end cycle at any time.
5. Unplug.

## Stay On Function

The Toaster Oven can be set to stay on by turning Timer to Stay On while pressing and holding buttons on side of Dial.

## Broil Mode

Use to brown foods such as beef, chicken, fish, pork, and casseroles. Slide Oven Rack or Air Fryer Basket in Top Rack Position. For thicker foods, Middle Rack Position can also be used. Always place Baking/Broiling Pan under Air Fryer Basket or Oven Rack to catch drippings. Add food. Food must be a minimum of 1 inch (2.5 cm) from heating elements.

1. Plug into outlet. Turn Temperature Dial to Broil/Toast and Function Dial to Broil.
2. Rotate Timer clockwise past 10, then to the desired broiling time. Or, rotate Timer to Stay On while pressing and holding buttons on side of Dial. Turn foods when browned or halfway through cooking time. Oven broils on high temperature and may not be adjusted.
3. Rotate Timer to OFF to end cycle at any time.
4. Unplug.

## Toast Mode

Use for browning and toasting breads, bagels, and English muffins. Place food cut/split side facing up. This will toast cut/ split side more than outside of food. Rack should be in Middle Rack Position.

1. Plug into outlet. Turn Temperature Dial to Broil/Toast and then turn Function Dial to Toast.
2. Select shade of browning by turning Timer clockwise past 10, then back to desired toast color. A bell will sound when toast cycle is complete.
3. Rotate Timer to OFF to end cycle at any time.
4. Unplug.

**TIP:** The number of slices of bread and bread freshness will affect toast color. For example, toasting 4 slices of bread will require a darker toast color setting than slices of bread. Adjust Toast based on desired color and number of slices.

## Care and Cleaning

**WARNING Electrical Shock Hazard:** Do not clean with metal scouring pads. Pieces can break off pad and touch electrical parts.

Your toaster oven should be cleaned regularly for best performance and long life. Regular cleaning will also reduce the risk of fire hazard.

1. Unplug and allow to cool completely.
2. To clean inside of Toaster Oven, wipe oven walls, bottom of oven, and glass door with a damp, soapy cloth. Repeat with a damp, clean cloth. For stubborn stains, use a plastic scouring pad.
3. Wipe outside of Toaster Oven with a damp cloth. Do not use abrasive cleansers or metal scouring pads.

## Troubleshooting

### **Toaster Oven will not heat.**

1. Check to make sure electrical outlet is working and the oven is plugged in. Turn Temperature Dial to 350°F (C). Turn Function Dial to Bake; then turn Timer counterclockwise to Stay On while pressing and holding buttons on side of Dial.

### **Moisture forms on inside of oven door when toasting.**

1. This is normal when toasting in a toaster oven. Moisture is slower to escape from a toaster oven than from a toaster. The amount of moisture will differ between fresh bread, bagels, and frozen pastries.

### **An odor and smoke come from the Toaster Oven.**

1. Smoke and odor are normal during first use of most heating appliances. These will not be present after initial heating period.

### **Toaster Oven will not toast.**

1. Check to make sure outlet is working and oven is plugged in. Turn Temperature Dial to Toast/Broil. Turn Function Dial to Toast; then rotate Timer clockwise past 10 and then back to the desired toast color.

### **Some foods burn and some are not done.**

1. Adjust Oven Rack Position to center food in oven.
2. Adjust oven temperature or cooking time for best results with your recipes.

## Limited Warranty

This warranty applies to products purchased and used in the U.S. and Canada. This is the only express warranty for this product and is in lieu of any other warranty or condition.

This product is warranted to be free from defects in material and workmanship for a period of five (5) years from the date of original purchase in Canada and one (1) year from the date of

original purchase in the U.S. During this period, your exclusive remedy is repair or replacement of this product or any component found to be defective, at our option; however, you are responsible for all costs associated with returning the product to us and our returning a product or component under this warranty to you. If the product or component is no longer available, we will replace with a similar one of equal or greater value.

This warranty does not cover glass, filters, wear from normal use, use not in conformity with the printed directions, or damage to the product resulting from accident, alteration, abuse, or misuse. This warranty extends only to the original consumer purchaser or gift recipient. Keep the original sales receipt, as proof of purchase is required to make a warranty claim. This warranty is void if the product is used for other than single-family household use or subjected to any voltage and waveform other than as specified on the rating label (e.g., 120 V ~ 60 Hz).

We exclude all claims for special, incidental, and consequential damages caused by breach of express or implied warranty. All liability is limited to the amount of the purchase price. Every implied warranty, including any statutory warranty or condition of merchantability or fitness for a particular purpose, is disclaimed except to the extent prohibited by law, in which case such warranty or condition is limited to the duration of this written warranty.

This warranty gives you specific legal rights. You may have other legal rights that vary depending on where you live.

Some states or provinces do not allow limitations on implied warranties or special, incidental, or consequential damages, so the foregoing limitations may not apply to you.

To make a warranty claim, do not return this appliance to the store. Please call 1.800.851.8900 in the U.S. or 1.800.267.2826 in Canada or visit [hamiltonbeach.com](http://hamiltonbeach.com) in the U.S. or [hamiltonbeach.ca](http://hamiltonbeach.ca) in Canada. For faster service, locate the model, type, and series numbers on your appliance.

### **Warning**

This content is compiled from multiple sources and is provided for reference purposes only. It may not be complete or fully applicable to all situations. If you are unable to resolve your issue, please contact the product manufacturer or an authorized service provider for official support.