

## **BEFORE FIRST USE**

1. Remove all accessories and shipping materials packed inside the Oven.
2. Wash the Rack and Pan in warm soapy water. Wipe the inside of the Oven with a damp cloth or sponge. Blot dry with paper towels to be sure the unit is dry before using.
3. Place Oven on a flat counter or other stable surface **DO NOT OPERATE ON THE SAME CIRCUIT WITH ANOTHER APPLIANCE.**
4. Make sure the Crumb Tray is properly installed before using.

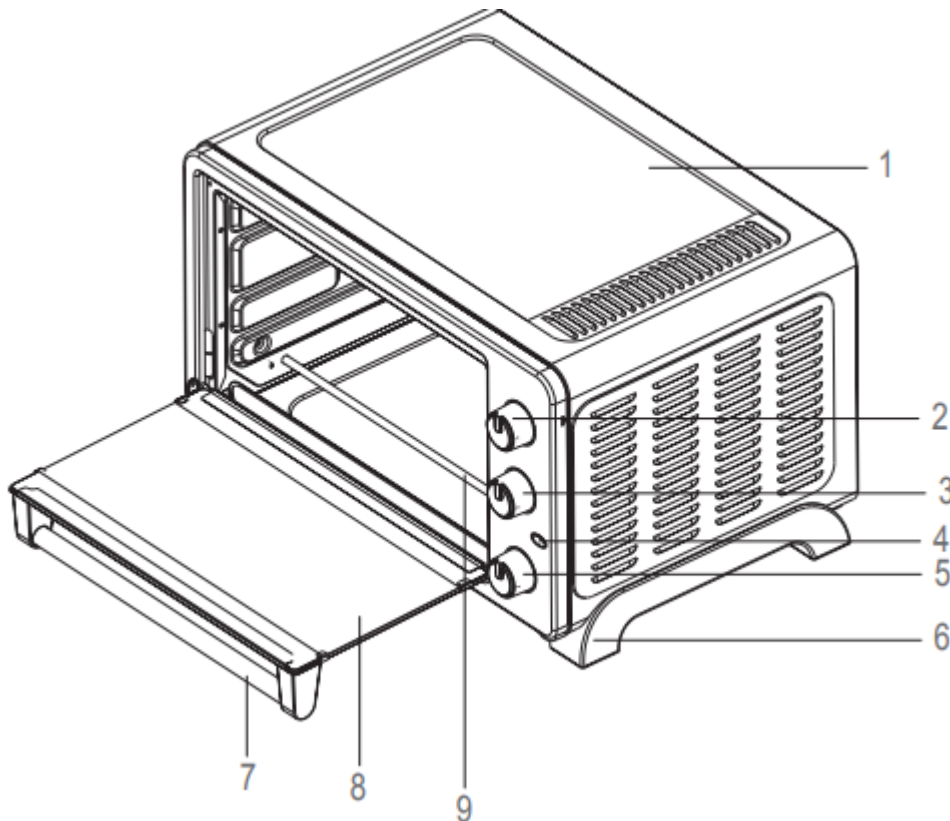
For the first time only, Set the Temperature Knob to MAX, the function setting on toast and the timer to 15 minutes. This will burn off any oils still on the Oven.

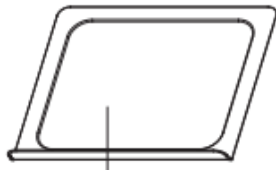
NOTE The oven may smoke during this process. This is normal for a new

## **PRODUCT INSTRUCTION**

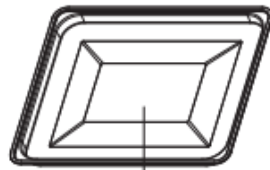
### **NAMES OF PARTS**

When using electrical appliance, basic safety precautions should always be followed, including the following:

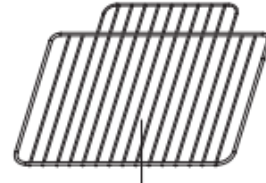




10



11



12

<ol style="list-style-type: none"><li>1. Housing</li><li>2. Temperature/ mode knob</li><li>3. Time knob</li><li>4. Indicator light</li><li>5. Accu-Time knob</li><li>6. Oven foot</li></ol>	<ol style="list-style-type: none"><li>7. Door handle</li><li>8. Glass door</li><li>9. Heating element</li><li>10. Crumb tray</li><li>11. Baking tray</li><li>12. Baking rack</li></ol>
---	--

## OPERATION

### HOW TO USE

CAUTION: the oven surfaces are hot during and after use general instructions

1. Place the Baking Rack in position that will accommodate the height of the food to be cooked.
2. Set the food on the Rack. Make sure that you always use an ovenproof container in the oven, never use plastic or cardboard containers in the Oven.
3. Never use glass or ceramic pans or lids. DO NOT let juices run to the bottom of the oven.
4. Use the Drip Tray and Crumb Tray when cooking.
5. Set the temperature as suggested by the recipe or as desired.
6. Securely shut the door and set the cooking time to begin operating the oven.

# FUNCTION INSTRUCTION

## CONTROL SETTINGS

### TIME SETTING

The oven will not turn on without the timer being set. When the time knob is in the "off" position, the oven will not operate. To set the time, turn the knob clockwise to the desired time.

Indicator light is lit only when time has been set. When the timer has reached the OFF position, a bell sound will be heard. Power supply will be cut off automatically.

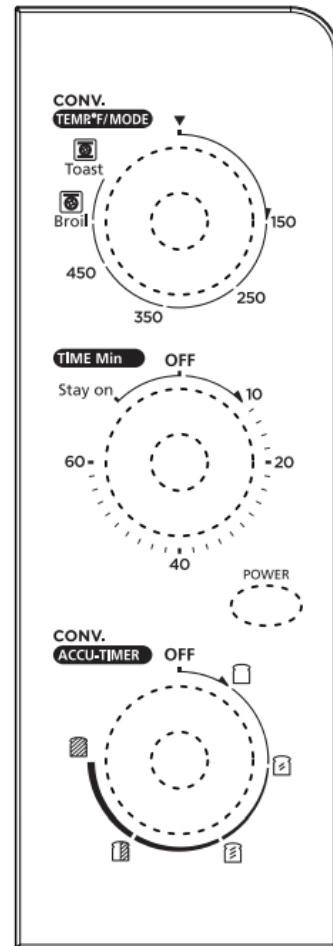
For Toast: From  to : From light to dark.

For the rest: 0-60 MINUTES: The timer can be set up to 60 minutes.

### ADJUSTING TIME

Timer can be change during cooking cycle. Just turn the timer knob to the desired time and continue cooking.

NOTE: To select the cooking time, first rotate the timer knob more than 90 degrees, and then turn the switch back to the time you require.



### TEMPERATURE SETTING

Turn the temperature knob clockwise to the desired temperature setting. The temperature can be set from 150 F to 450 F. For Toast or Broil function, the temperature cannot be set.

### STAY ON

For use the toaster without time control, turn the timer knob to position " Stay on" .

In this case, the toaster will work until the timer knob is set to " OFF" position.

Note: the food may catch fire if the cooking time is setting too long. Close supervision is necessary during cooking and the timer do not being set too long.

This oven offer there different functions for versatile cooking all in one appliance.



**Toast** : The upper and lower heating elements, along with the motor fan are working.



**Broil** : The upper heating elements along with the motor fan are working during this cycle.

150° F- 450° F: The upper and lower heating elements along with motor fan are working.

### **TOAST FUNCTION:**

Use the toast function for foods such as corn, bread, cookies and heating food.

1. Place the baking rack to the desired height.
2. Set the TEMP/MODE Knob to" Toast ".
3. Rotate the ACCU-TIMER Knob clockwise to desired cooking time.
4. The oven will start cooking.
5. Always remove food with oven mitts. Food and oven are very hot.

NOTE:Never use the STAY ON position when toasting.

### **BROIL FUNCTION:**

The Broil Function is ideal for fish, beef, steak, vegetables, etc.

1. Place the baking rack to the desired height.
2. Set the TEMP/MODE Knob to" Broil ".
3. Rotate the TIME knob clockwise to desired cooking time.
4. The oven will start cooking.
5. Always remove food with oven mitts. Food and oven are very hot.

### **150° F- 450° F**

1. Place the baking rack to the desired height.
2. Set the TEMP/MODE Knob to the desired temperature from 150° F- 450° F .
3. Rotate the TIME knob clockwise to desired cooking time.
4. The oven will start cooking.
5. Always remove food with oven mitts. Food and oven are very hot.

## **CARE AND CLEANING**

1. Before cleaning unplug the toaster oven and allow it to cool completely.

2. Wash all the attachments with mild, soaped water including the rack and the baking tray.
3. Do not use abrasive cleansers, scrubbing brushes and chemical cleaner as this will cause damage to the non-stick coating of baking tray.
4. Using a wet cloth to wipe the inner of the oven.
5. To clean the door by using a wet cloth saturated with detergent or soap.
6. Never immerse the unit in water or other liquid.
7. Any other servicing should be performed by an authorized service representative.

## SPECIFICATION

MODEL	MC25CEY-SS	POWER	1500W
CUBAGE	25L	L*W*H	18.9x12.5x10.8 inch
VOLTAGE	120V, 1Ph	Rated Energy Consumption	1.5KW/H
AC FREQUENCY	60Hz		

## IMPORTANT SAFEGUARDS

### BASIC SAFETY PRECAUTIONS

When using electrical appliance, basic safety precautions should always be followed, including the following:

1. Read all instructions before using.
2. To protect against any electrical hazards, DO NOT place unit or cord in water or any other liquids.
3. Do not touch any hot surfaces. Use oven mitts for removing or touching any hot parts. Always place Toast Oven on heat protected surface.
4. Leave about 100-150mm open space all around the exterior of this appliance. Place the appliance on a dry, horizontal surface.
5. Unplug the unit from outlet when not in use and before cleaning. Always allow to cool before attaching or removing any parts.
6. The use of accessory attachments not recommended by the appliance manufacturer may cause injuries.
7. Then plug cord into the wall outlet. To disconnect, turn any control to " off ",then remove plug from wall outlet.
8. Do not let cord hang over edge of table or counter, or touch hot surface.
9. Do not place the Toaster Oven inside an heated oven or near a hot gas or electric burner

10. Do not use outdoors
11. If the electric circuit is overloaded with other appliances, this appliance may not operate properly. The Toaster Oven should be operated on a separate electrical circuit from other operating appliances.
12. The temperature of accessible surfaces may be high when the appliance is operating.
13. Do not operate any appliance with a damaged cord or plug or after the appliance malfunctions or has been damaged in any manner. Return appliance to the nearest authorized service facility for examination, repair, or adjustment. Store only the accessories provided with this unit inside the oven when not in use
14. Do not store any other materials.
15. A fire may occur if the appliance is covered or touching flammable material, including curtains, draperies, walls, and the like, when in operation. Do not put any items on top of the appliance when in operation.
16. Do not place any cardboard, paper or plastic inside the oven.
17. All containers placed inside the oven must not be airtight. Also, they need to have enough room to allow for expansion of fluids.
18. Clean this appliance regularly as build – up of grease may cause a fire. Make sure that this appliance is not placed near curtains, any drapery, or other flammable material.
19. Do not clean with metal scouring pads. Pieces can break off the pad and touch electrical parts involving a risk of electric shock.
20. In order to prevent accidental burns, always use the handle and knobs to operate this appliance.
21. The temperature of the door or outer surface may be high when the appliance operating
22. Oversize foods or metal utensils must not be inserted in a toast oven as they may create a fire or risk of electric shock.
23. Do not cover crumb tray or any part of the oven with metal foil. This will cause overheating of the oven.
24. Extreme caution must be used when moving an appliance containing hot oil or other hot liquids. Use extreme caution when removing tray or disposing of hot grease.
25. This appliance is not intended for use by persons (including children ) with reduced physical, sensory or mental capabilities. Or lack of experience and knowledge unless they have been given supervision or instruction concerning use of the appliance by a person responsible for their safety.
26. Children should be supervised to ensure that they do not play with the appliance.
27. The appliance is not intended to be operated by means of an external timer or separate remote-control system.

28. The rear surface of appliance shall be placed against a wall.

- A short power-supply cord (or detachable power-supply cord) should be used to reduce the risk resulting from becoming entangled in or tripping over a longer cord.
- Longer detachable power-supply cords or extension cords are available and may be used if care is exercised in their use.
- If a longer detachable power-supply cord or extension cord is used:
  - The marked electrical rating of the cord set extension cord should be at least as great as the electrical rating of the appliance;
  - The cord should be arranged so that it will not drape over the countertop or tabletop where it can be pulled on by children or tripped over unintentionally; and
  - If the appliance is of the grounded type, the cord set or extension cord should be a grounding-type-3-wire cord.

29. Do not use appliance for other than intended use.

30. Do not clean with metal scouring pads. Pieces can break off the pad and touch electrical parts, creating a risk of electric shock.

31. Extreme caution should be exercised when using containers constructed of other than metal or glass.

CAUTION: Do not insert your fingers into any gaps or holes; it may cause injuries.

### **Warning**

This content is compiled from multiple sources and is provided for reference purposes only. It may not be complete or fully applicable to all situations. If you are unable to resolve your issue, please contact the product manufacturer or an authorized service provider for official support.