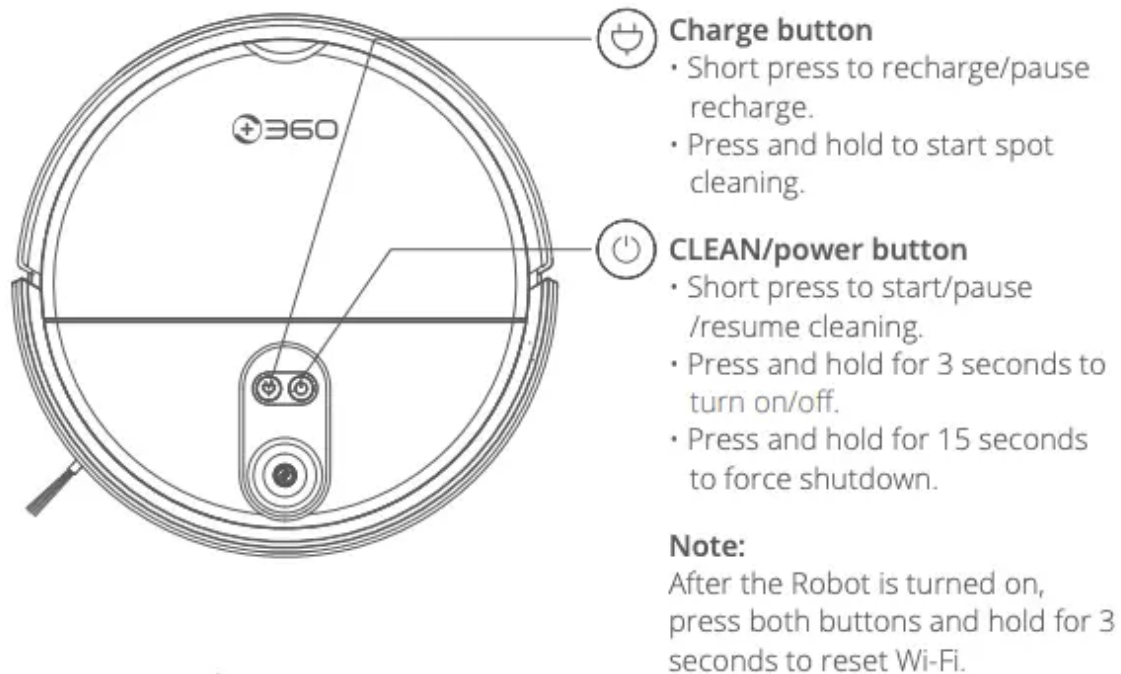
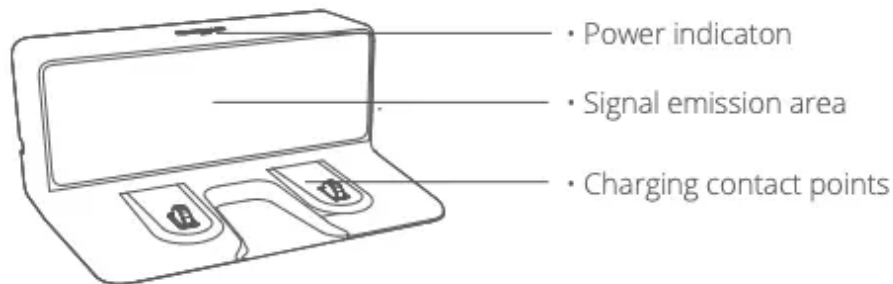


Product Overview

Robot



Charging dock

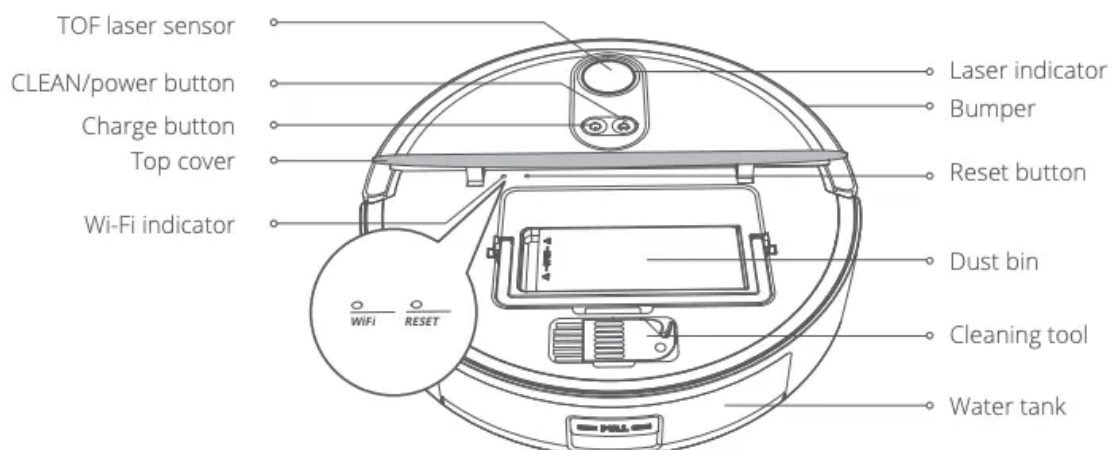


Robot	
Dimensions	350 x 350 x 85 mm 13.78 x 13.78 x 3.35 inches
Product weight	3.85 kg 8.48 lbs
Battery capacity	5000 mAh, 72 Wh
Rated voltage	14.52V
Rated power	30W

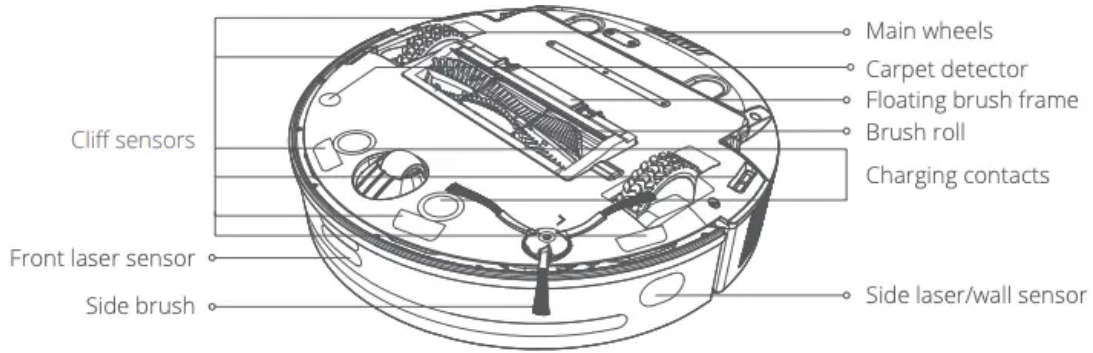
Charging Dock	
Dimensions	220 x 153 x 100 mm 8.66 x 6.02 x 3.94 inches
Rated power	24W
Rated output	24W

Box Content
Main unit, charging dock, power adapter and plugs, water tank, mop bracket, mop pad, user manual, small cleaning tool.

Top View



Bottom View

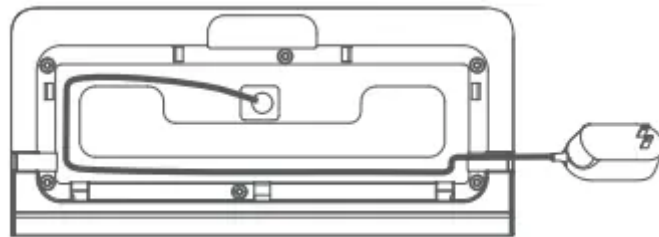


Installation Instructions

1. Connect the power adaptor with the charging dock.

Note:

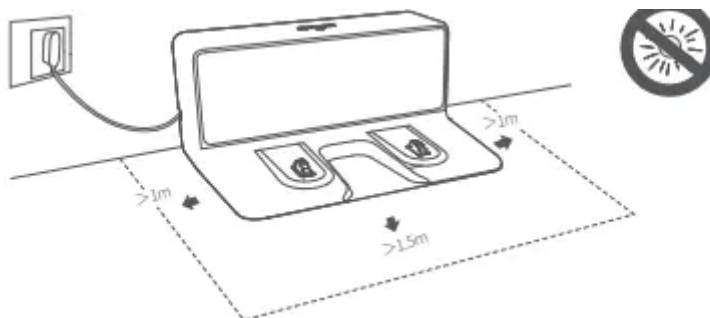
- Put the extra cable into the slot on the back of the charging dock to prevent the cables from being stretched by the robot while cleaning.
- The charging dock indicator is solid when it has power and is off when the robot is being charged.



2. Place the charging dock on the horizontal hard floor and connect the power supply.

Note:

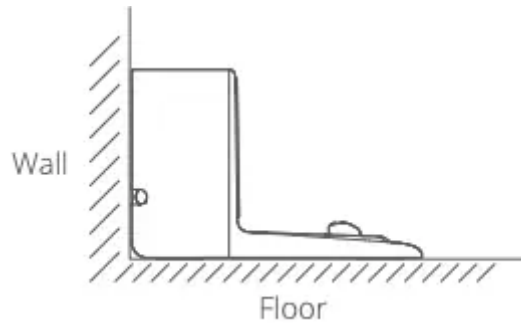
- Leave 1 meter (3.3 feet) on both sides and 1.5 meters (4.9 feet) in the front of the charging dock, and make sure there is no objects or strong light within this area.
- Ensure the charging dock is placed at least 1.5 meters (4.9 feet) away from stairs, other open areas, and heat sources (such as heaters).



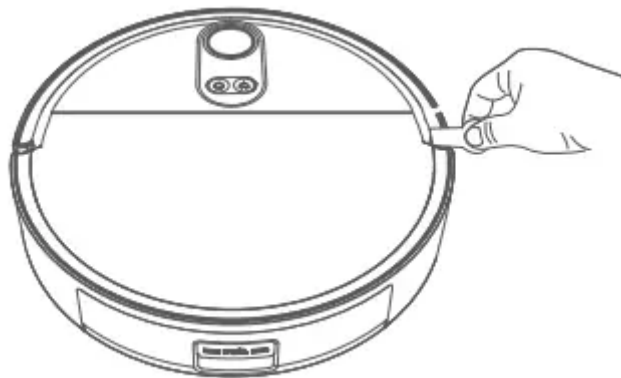
3.To ensure the Robot can clean and recharge, do not put the charging dock on carpets or move it frequently. If the charging dock is moved, the Robot may fail to locate itself or remove the current map. It will create and save a new map during the next cleaning.

Note:



- The map information (no-go zones, room names, etc.) may loss after rebuilding



4.Put the Robot on the floor and remove both protective strips behind the bumper.dock is moved.



5.Power on and charging

Method 1: Press and hold the  button until it lights up and place the Robot within one meter of the charging dock. Press the  button, the Robot will automatically search for the charging dock and go to charging.

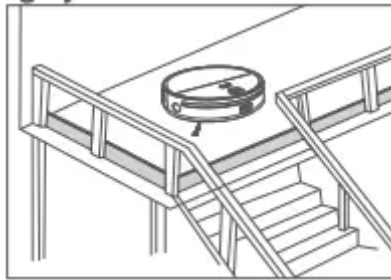
Method 2: Place the Robot on the charging dock and align their charging contacts. The power indicator on the charging dock turns off and the robot will automatically power on and start charging.

Note:

- Clean the charging contacts on the charging dock and the robot periodically.
- The robot cannot be turned on when the battery is insufficient, and it will automatically turn on when it is placed on the charging dock.
- The Robot will only start cleaning tasks when the battery level is $\geq 30\%$.

- Maintain power to the charging dock.
- If the robot does not start cleaning from the charging dock, it may need more time to dock. If the charging dock cannot be reached, the Robot will return to the start location after cleaning

6.If the room to be cleaned contains a suspended area (balcony,stairs, etc.), a physical barrier should be used to prevent access to this area and ensure safe operation. Meanwhile, create no-go zones or no-go lines for these area on the App is highly recommended.



7.Download the mobile phone App

Method 1: Search for “360Robot” in Google Play or App Store and download it.



Method 2: Scan the QR code below by using mobile phone camera or any QR code scanner App to download the 360 Robot App.

8.Add your Robot on the App

- Please refer to the network configuration instruction in the box to let the App find your Robot.
- Then follow the instructions on the App step by step to bind the Robot to your account.

Note:

- Please check out further operation instructions in "My - My Service" on the App and do not hesitate to contact us if you have any questions or comments.

After-sales Service

Exclusions and Limitations

1. The product is repaired without permission, wrongly used, crashed, neglected, misused, gotten wet, or damaged in an accident, modified, unauthorized accessories are used.
2. Warranty period expires.
3. Damage is caused by force majeure.
4. Defects of product and accessories caused by the owner or user.

FCC Warning

This equipment has been tested and found to comply with the limits for a Class B digital device, pursuant to part 15 of the FCC Rules. These limits are designed to provide reasonable protection against harmful interference in a residential installation.

This equipment generates, uses and can radiate radio frequency energy and, if not installed and used in accordance with the instructions, may cause harmful interference to radio communications. However, there is no guarantee that interference will not occur in a particular installation.

If this equipment does cause harmful interference to radio or television reception, which can be determined by turning the equipment off and on, the user is encouraged to try to correct the interference by one or more of the following measures:

- Reorient or relocate the receiving antenna.
- Increase the separation between the equipment and receiver.
- Connect the equipment into an outlet on a circuit different from that to which the receiver is connected.
- Consult the dealer or an experienced radio/TV technician for help

Caution: Any changes or modifications to this device not explicitly approved by manufacturer could void your authority to operate this equipment.

This device complies with part 15 of the FCC Rules. Operation is subject to the following two conditions: (1) This device may not cause harmful interference, and (2) this device must accept any interference received, including interference that may cause undesired operation.

The device has been evaluated to meet general RF exposure requirement. The device can be used in portable exposure condition without restriction.

FCC RF Radiation Exposure Statement Caution: To maintain compliance with the FCC's RF exposure guidelines, place the product at least 20cm from nearby persons.

Warning

This content is compiled from multiple sources and is provided for reference purposes only. It may not be complete or fully applicable to all situations. If you are unable to resolve your issue, please contact the product manufacturer or an authorized service provider for official support.

Document generated by [ManualsFile](#)

