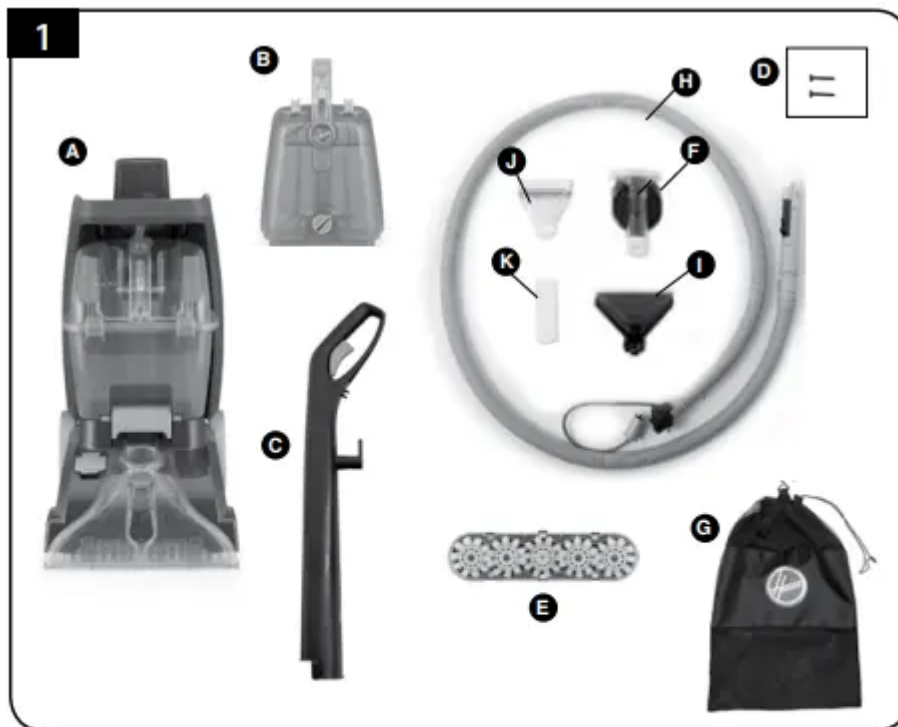


Carton contents

Remove all parts from carton and identify each item shown. Make sure all parts are located before disposing of packing materials.

*Available on select models only. Accessories not included with your model may be purchased separately by visiting hoover.com.



- A. Carpet Washer
- B. Water/Solution Tank
- C. Upper Handle
- D. Handle Screws
- E. SpinScrub® Brush Assembly
(Pre-assembled in unit)
- F. SpinScrub® Hand Tool*
- G. Mesh Tool Storage Bag*

- Tools Included in Mesh Bag*
- H. Accessory Hose
 - I. Stair Tool*
 - J. Upholstery Tool
 - K. Crevice Tool*

HOW TO ASSEMBLE

Attach handle

1. Position upper handle and slide down into carpet washer base (Fig. 2)
2. Insert both screws and tighten with screwdriver (Fig. 3).

Place Solution/ Water tank

3. Position bottom of tank onto Carpet Washer (Fig. 4).

4. Push tank handle while supporting back of cleaner with other hand until Solution Tank clicks into place (Fig. 5).

5. Check to make sure tank is securely latched.

Store tools

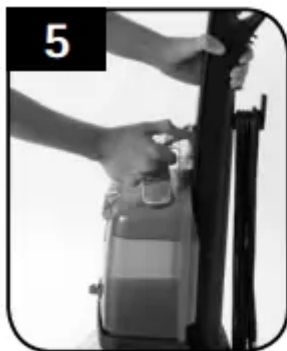
6. Place tools and hose into Mesh Tool Storage bag provided.

7. Mesh Tool Storage Bag should not be hung on the Carpet Washer while the Carpet Washer is in use.

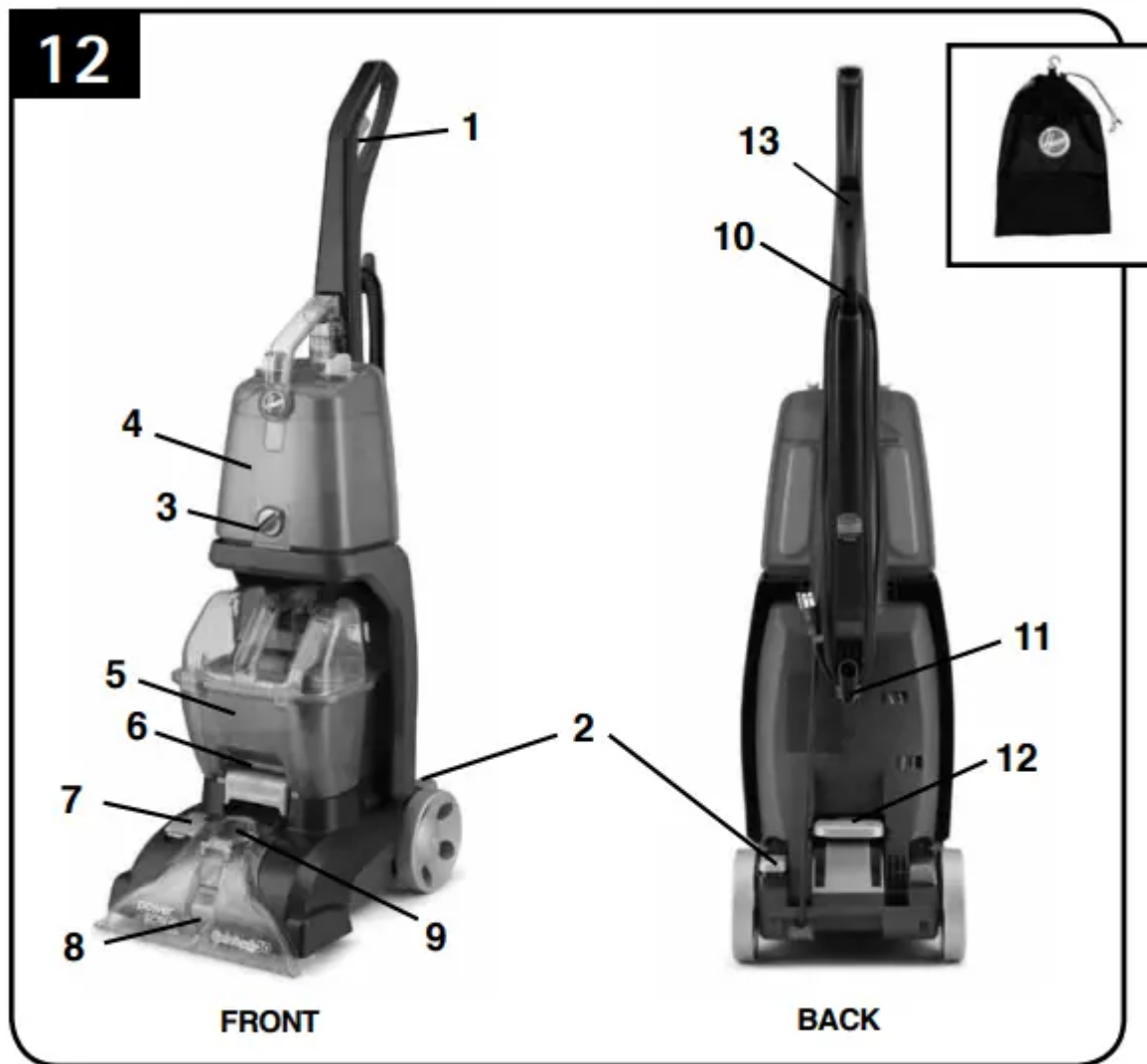
8. Mesh Tool Storage Bag can be conveniently stored either on the back of the unit or hung elsewhere by the provided hook (Fig. 6)

Cord storage

9. Wrap cord around cord hooks for convenient storage. Attach the plug end to cord.



FEATURES



LIST OF FEATURES

1. Solution Trigger: Press to release cleaning solution
2. ON/OFF Pedal
3. Wash/Rinse Selector
4. Clean Water/Solution Tank
5. Dirty Water Tank
6. Dirty Water Tank Latch
7. Solution Tube Connection Port
8. Nozzle
9. Accessory Hose Connection Port
10. Cord Storage Hook
11. Cord Storage Hook
(Does not rotate)
12. Handle Release Pedal
13. Cord Clip

HOW TO USE

ON-OFF Pedal (Fig. 13, A)

1. To turn cleaner ON, step on pedal.
2. To turn cleaner OFF, step on pedal again.

Handle release pedal (Fig 13, B)

1. Grasp handle.
2. Step on Handle Release Pedal to release lower handle to operating position.
3. Do not release grip on handle until handle is returned into locked upright position

Transporting

1. To move your cleaner from room to room, put handle in upright and locked position.
2. Tilt cleaner back on wheels and push forward (Fig. 14).

Carry handles

The carpet washer may also be lifted by any of several carry handles as shown. Be sure tanks are properly latched in place before attempting to lift (Fig 15).

- A. Upper Handle
- B. Solution Tank Handle
- C. Dirty Water Tank Handle
- D. Solution Tank Shel

Clean Water/Solution Tank

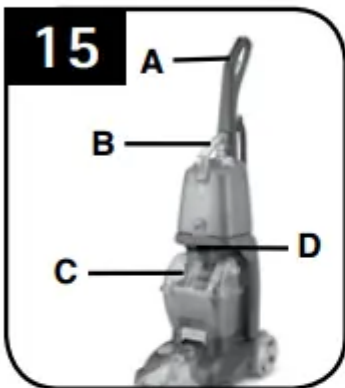
The Clean Water / Solution Tank (Fig. 16) is divided into two sections. The Clean Water Tank (E) is for water only and the Solution Tank (F) is for cleaning solution only.

NOTE: Tanks are labeled above tank caps.

How to Fill

1. Turn off and unplug cleaner from electrical outlet.
2. To remove tank, press down on Solution Tank Latch and pull forward. (Fig. 17).
3. Fill Clean Water Tank (Fig. 18) with hot tap water. The use of hot water as opposed to cold, significantly improves cleaning performance.
4. Fill Solution Tank (Fig. 19) with Hoover® Clean Plus 2X Solution or any other Hoover solution (see "Cleaning Solutions" for details). Replace container caps and tighten.

5. Place Solution/Water Tank back on to the unit using the method described



NOTE: There may be a small amount of water on the base when the tank is removed from the unit. This is a normal condition.



Dirty Water Tank

The Dirty Water Tank holds the dirty water that is picked up from the surface being cleaned. When the Dirty Water Tank is full, the automatic shut-off will engage, suction will stop and the tank must be emptied (see Automatic Shut-Off section).

How to Empty

1. Turn cleaner off and unplug from electrical outlet.
2. Release Dirty Water Tank Latch (Fig. 20).
3. Grab the Dirty Water Tank Handle and remove from carpet washer (Fig. 21).
4. Unplug the Quick Spout Pour Cap (A), rotate it away from drain hole and empty the Tank (Fig. 22)
5. Place Recovery Tank back on to cleaner making sure to do so with the retaining features (B, Fig. 23) pointing down to ensure proper sealing.
6. Latch the Recovery Tank back in to place



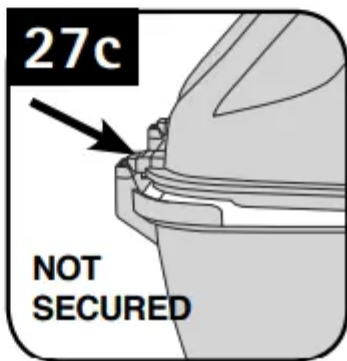
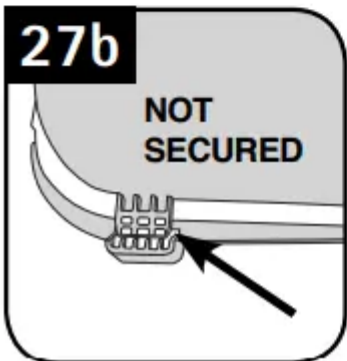
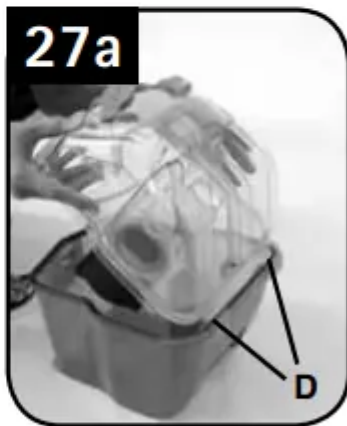
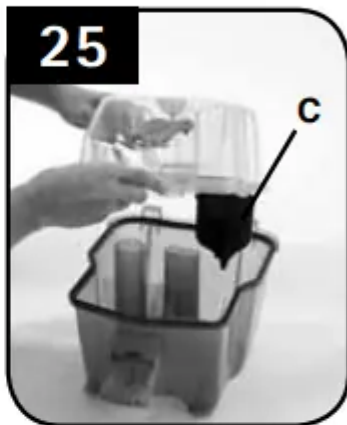
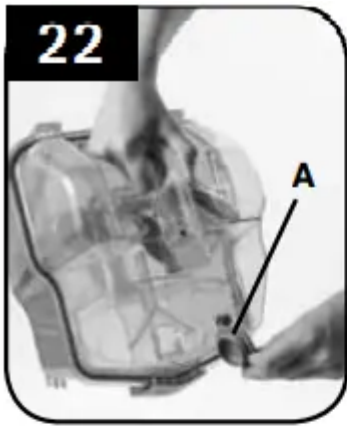
How to Clean

1. Empty Dirty Water Tank.
2. Place on flat surface and unlatch Dirty Water Tank lid latch located below the Quick Spout Pour Cap (Fig. 24).
3. Pivot and lift off Dirty Water Tank Lid (Fig. 25).
4. Remove lint from filter screen located on the bottom of the Dirty Water Tank Lid (C, Fig. 25).
5. Rinse debris from Dirty Water Tank Lid and Dirty Water Tank bottom (Fig. 26).
6. Insert tabs on Dirty Water Tank lid and reattach lid to Dirty Water Tank bottom (D, Fig. 27a).
7. Reattach Recovery Tank Lid Latch.

Automatic shut off

When the Dirty Water Tank is full the yellow float disk will rise and shut off the carpet washer's suction. The carpet washer will no longer pick up dirty water and the motor sound will become noticeably higher in pitch.

When this happens, turn carpet washer off and empty Dirty Water Tank before continuing use. Check Clean Water/Solution Tank also; it may need to be refilled. Do not use without float and float retainer in place. If broken or dislodged, take to an Authorized Dealer for repair.



How to clean

Before you begin cleaning

1. Vacuum thoroughly - For carpet, use a HOOVER® vacuum cleaner with an agitator for best results. Vacuum upholstery with a vacuum cleaner with cleaning tool attachments. Use a crevice tool to reach into tufts and folds. Do not use the carpet cleaner as a dry vacuum cleaner.
2. For upholstery, check cleaning code - Use your HOOVER® carpet washer only if the upholstery fabric is marked with a “W” (for “wet” clean) or “S/W”(for “solvent/dry” or “wet” clean). Do not clean fabric marked “S” (“solvent/dry” clean only). If your upholstery does not have a code, seek professional assistance.
3. Test for colorfastness - Wet a white absorbent cloth with the solution. In a small, hidden area, gently rub the surface with the dampened cloth. Wait ten minutes and check for color removal or bleed with white paper towel or cloth. If surface has more than one color, check all colors.
4. When cleaning entire floor, move furniture out of area to be cleaned (may not be necessary if only high traffic areas are to be cleaned). For furniture too heavy to move, place aluminum foil or wax paper under legs. This will prevent wood finishes from staining carpet. Pin up furniture skirts and draperies.
5. Pretreat spots and heavy traffic areas with an appropriate Hoover Cleaning Solutions, see “Cleaning Solutions” section. Follow Directions on bottle.
6. To prevent staining, use plastic or aluminum foil to protect wood or metal surfaces from possible water spray.
7. To avoid wetting and possible damage to wood floors underneath area rugs/carpet, either move area rugs/ carpet to a non-wood hard floor surface or place waterproof material (e.g. plastic) underneath them before cleaning.

Washing Carpet

Read “Before You Begin Cleaning” instructions.

1. Fill Clean Water Tank according to instructions (Pg. 8).
2. Fill solution tank with Hoover® solution according to instructions (Pg. 8).
3. Dry hands and plug cord into a properly grounded outlet.

NOTE: To avoid walking on damp carpet, start at the end of the room farthest from the door or path to sink where tanks will be emptied and filled.

4. Step on handle release pedal and lower handle to operating position.

Step 1

5. Set Wash/Rinse Selector to Wash (Fig. 28) Turn cleaner ON.
6. Squeeze trigger to apply cleaning solution and slowly push cleaner forward (equals one wet stroke) (Fig. 29).
7. Continue to squeeze trigger and slowly pull cleaner back toward you (second wet stroke).



Step 2

8. Release trigger and slowly push cleaner forward over area just sprayed with solution (dry stroke). Then slowly pull cleaner back toward you without squeezing trigger (dry stroke). Continue using dry strokes until little water is visible passing through the Dirty Water Tank lid (Pass over the same area a minimum of 4 times = 2 while squeezing the trigger and 2 without).

NOTE: For best results, use straight, parallel strokes. Overlap strokes by 1 inch to help prevent streaking.

9. Keep nozzle flat on floor for both forward and reverse strokes.

For best cleaning results and to aid in faster drying of carpet, end with more dry strokes. (Continue using dry strokes until little water is visible passing through the Dirty Water Tank lid.)

Empty Dirty Water Tank when the motor sound becomes higher pitched and there is a loss in suction (see "Automatic shut-off").

When finished cleaning, follow "After Cleaning" instructions



10. For best cleaning results, Hoover recommends to rinse the carpet with water only. This will remove residual carpet cleaning solution from your carpets. To Rinse with water only, set Wash/Rinse Selector to rinse (Fig. 30) and repeat steps 7 and 8.

11. For heavily soiled areas, repeat cleaning process. Avoid saturating carpet.

NOTE: It is best to alternate wet and dry strokes as described above

After use

Allow carpet or upholstery to dry. To help prevent matting and resoiling the carpet, keep children and pets away from surface until it is completely dry. If it is necessary to walk on damp carpet, place towels or white cloths on the traffic areas.

If furniture must be replaced before the carpet is dry, place plastic or aluminum foil under legs of furniture so metal slides or wood finishes will not stain the carpet.

1. See "Dirty Water Tank: How to Empty"

2. See "Dirty Water Tank: How to Clean"

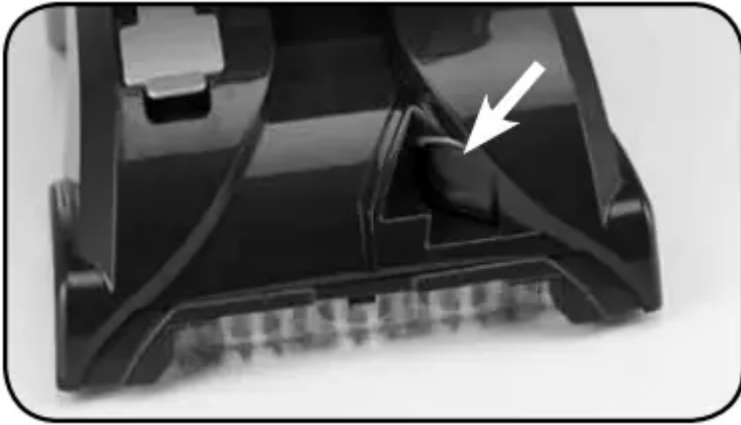
NOTE: Let Dirty Water Tank and Dirty Water Tank Lid air dry before Carpet Washer is stored.

3. See "Cleaning Nozzle"

4. See "Cleaning Brushes"

5. Remove lint from filter screen located behind nozzle.

IMPORTANT When brushes seem to be rotating slowly, disconnect cleaner from electrical outlet and check and clean the screen behind the nozzle (see arrow below).

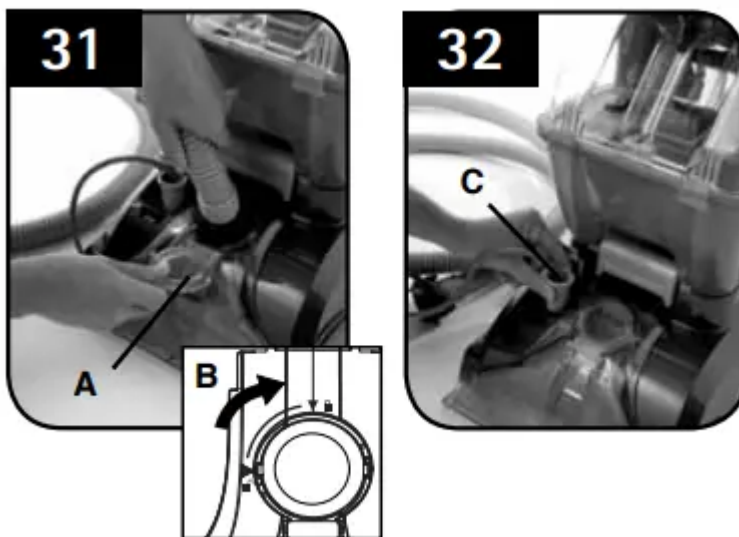


TOOLS

CONNECT HOSE FOR TOOL USE

How to Attach

1. Open Accessory Hose Suction Port (A, Fig. 31). Insert hose end, aligning the indicator with the unlock arrows.
2. Rotate clockwise to lock position (B, Fig. 31).
3. Hold open the Accessory Hose Solution Port door (Fig. 32).
4. Plug Accessory Hose Solution Tube connector firmly into Hose Solution Port (C, Fig. 32).



How to Remove

1. Disconnect Accessory Hose Solution Tube Connector from Accessory Hose Solution Port by pulling up firmly. Do not pull on tube, this may cause damage. Accessory port door will automatically close.

2. Rotate accessory Hose end counterclockwise from the locked position to the unlocked position and remove by pulling out.
3. Snap Accessory Hose Suction Port door back into place. Make sure to snap both sides to ensure proper suction, unit may lose suction if not closed properly.

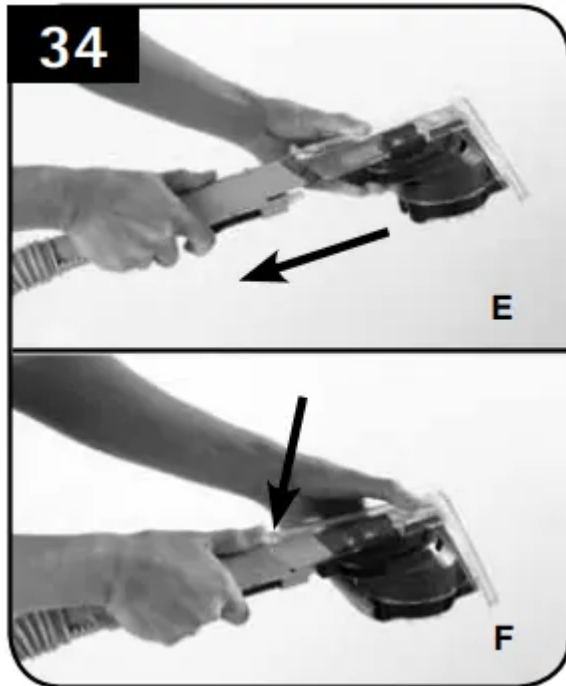
TOOLS (*Available on select models only.)

How to Attach Tools

1. To ensure maximum performance and to protect your carpet, be sure to place the handle in the upright position while using the accessory hose. Placing handle in the upright position shuts off the SpinScrub brushes.

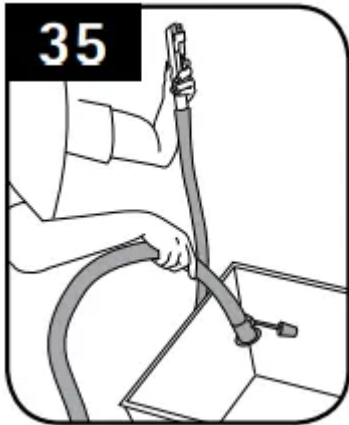
NOTE: All tools attach to the hose in the same manner:

2. Connect tool to hose by sliding it onto connector until the tab locks it securely (E, Fig. 34).
3. Using your thumb, push forward and up on the latch to remove tool (F, Fig. 34)



After Using Tool

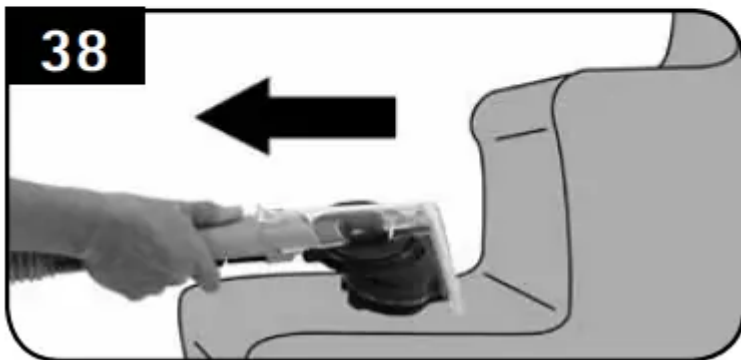
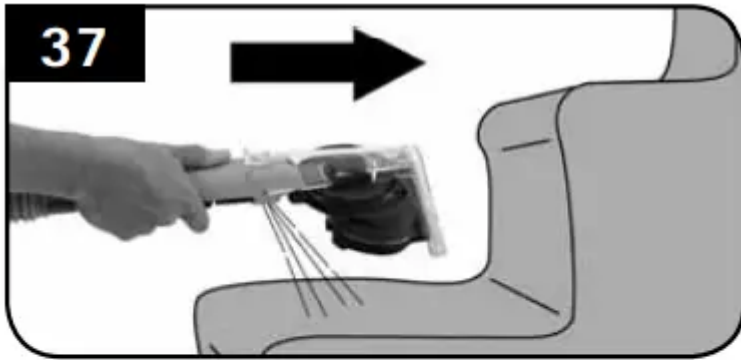
1. Drain suction hose by turning cleaner ON and holding nozzle up for several minutes. Do not press trigger
2. Disconnect hose and solution tube from cleaner.
3. Drain solution tube by placing round end in sink and raising the trigger end at the hose nozzle above your head (Fig. 35). Press the trigger to release air and fluid..
4. Replace Hose and tools in the Mesh Storage Bag.



Cleaning carpeted stairs

1. Read "Before You Begin Cleaning" instructions
2. Attach hose and solution tube as instructed (Pg. 13).
3. Place handle in upright position. SpinScrub brushes will not rotate while handle is in upright position.
4. Fill Clean Water Tank according to instructions.
5. Fill Solution Tank with HOOVER® solution according to instructions.
6. Attach tool to end of hose.
7. Dry hands and plug cleaner into a properly grounded outlet.
8. Set Wash/ Rinse Selection to WASH. Turn cleaner ON.
9. Pre-spray the carpeted stair by holding the tool about one inch above the carpet and push it forward while pressing the trigger (equals one wet stroke) (Fig. 37).
10. Position tool against the riser and slightly press it into carpet pile. Press the trigger and pull the tool slowly over the carpet (second wet stroke). Release trigger at end of stroke.
11. Lift tool, and position it against riser. Pull tool slowly over carpet without pressing trigger (dry stroke) (Fig. 38).
12. Overlap strokes by 1/2 inch to help prevent streaking.
13. It is best to alternate wet and dry strokes as described above. End with more dry strokes to aid in faster drying of carpet.
14. To avoid saturating carpet, do not use more than 4 wet strokes over any one area. Always end with dry strokes.
15. If additional cleaning is necessary, wait until the carpet is completely dry before using the tool again.
16. Empty Dirty Water Tank when the motor sound becomes higher pitched and there is a loss in suction (see "Automatic Shut-Off").

17. When finished cleaning, follow “After Cleaning” and “After Using Tool” instructions.



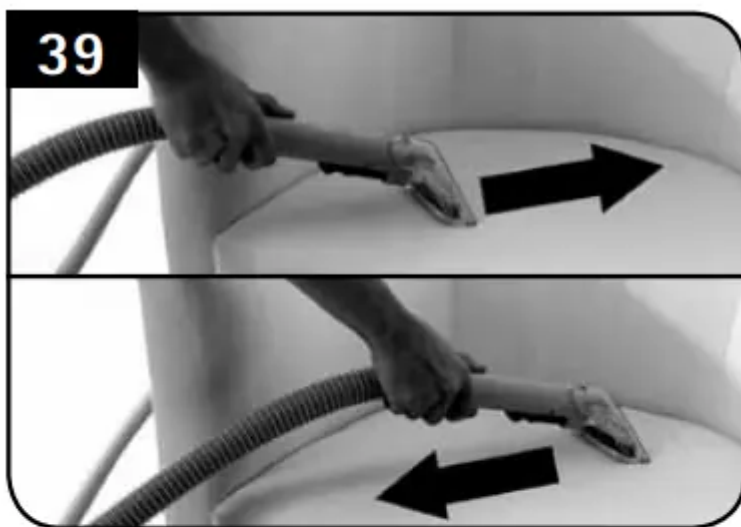
Cleaning upholstery

Read “Before You Begin Cleaning” instructions.

Be sure to check Hoover Cleaning Guide and the cleaning code on your upholstery. Use your cleaner only on upholstery marked “W” or “W/S”.

1. Attach hose and solution tube as instructed.
2. Place handle in upright position. SpinScrub brushes will not rotate while handle is in upright position.
3. Fill Clean Water Tank according to instructions on (Pg. 8).
4. Fill solution container with HOOVER® solution according to instructions on (Pg. 8). Do not use hard floor cleaning solution when cleaning upholstery.
5. Attach tool to end of hose.
6. Dry hands and plug cleaner into a properly grounded outlet.
7. Set Wash/Rinse Selector to WASH. Turn cleaner ON.
8. Gently press the tool onto the fabric. Press the trigger and slowly pull the nozzle over the fabric (Fig. 39).
9. Overlap strokes by 1/2 inch to help prevent streaking.

10. Make additional strokes without pressing the trigger to remove more solution. To clean in corners or creases, lift the tool one half inch from the fabric and press the solution trigger.
11. For heavily soiled areas, it may be necessary to repeat the cleaning process. Make crisscrossing strokes to the original pattern; overlap each pass (Fig. 40). Make no more than 2 passes with the solution over any one area to prevent over-wetting and damage to fabric.
12. If you would like to rinse the carpet with water only, set Wash/Rinse Setting switch to RINSE (Fig. 41). For best cleaning results, Hoover recommends to rinse the carpet with water only. This will remove residual carpet cleaning solution from your carpets. Then set Wash/Rinse Selector to rinse and repeat steps 7 and 8



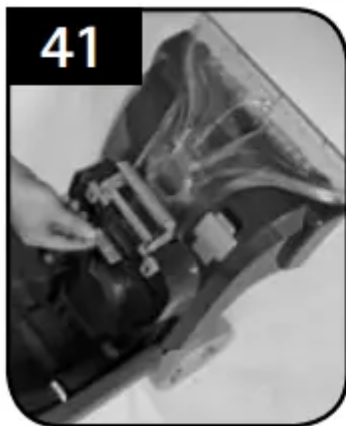
If additional cleaning is necessary, wait until the upholstery is completely dry before using the tool again. Empty Dirty Water Tank when the motor sound becomes higher pitched and there is a loss in suction (see "Automatic Shut-Off"). When finished cleaning, follow "After Cleaning" and "After Using Tool" instructions.

MAINTENANCE

Nozzle: How to Clean

If lint or other debris becomes lodged in nozzle, it can be removed for cleaning

1. To prevent possible leaking, remove Clean Water Tank and Dirty Water Tank.
2. With handle in upright position, tilt carpet washer back so that handle rests on the floor.
3. Rotate nozzle latch to unlock position (Fig. 41).
4. Pull up on nozzle slightly to unsnap nozzle from foot of carpet washer.
5. Pull nozzle forward to remove from carpet washer. Be sure the nozzle does not get caught on retention tank latch (Fig. 42).
6. Rinse debris from nozzle.
7. Position nozzle on to foot, making sure to align the tabs at the bottom of the nozzle with the notches on the foot (Fig. 43).
8. Snap nozzle to foot.
9. Rotate nozzle latch to lock position.

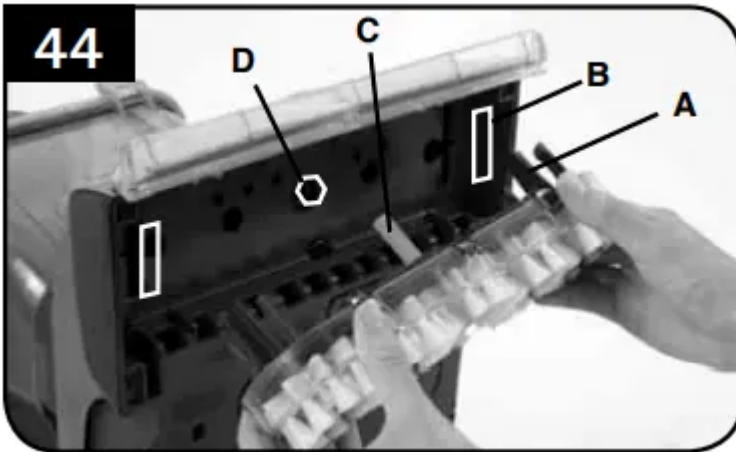


Brushes: How to Change and Clean

Your cleaner is equipped with removable brushes. Follow these directions for changing brush assemblies or for easy cleaning.

How to Remove

1. To prevent possible leaking, remove Clean Water Tank and Dirty Water Tank.
2. With handle in upright position, tilt cleaner back until handle rests on the floor.
3. Grab brush assembly and pull firmly (Fig. 44).
4. The brushes can be cleaned under running water



How to Replace

1. Align posts (A) on both ends of brush assembly with slots (B) in cleaner housing (Fig. 44).
2. Make sure that the hexagonal post (C) also aligns with the hexagonal hole (D). Turn brushes slightly until post fits easily into hole.
3. Press brush assembly firmly to snap into place.

Storage

Before storing:

- Empty Clean Water Tank and let air dry. Replace on cleaner.
- Empty Dirty Water Tank, rinse tank and lid thoroughly with clean water and let air dry.

Allow brushes and underside of carpet cleaner to air dry thoroughly before storing carpet cleaner on a carpeted or wood surface.

Lubrication

The motor is equipped with bearings that contain sufficient lubrication for the life of the motor.

The addition of lubricant could cause damage. Therefore, do not add lubricant to motor bearings.

TROUBLESHOOTING

If a minor problem occurs, it usually can be solved quite easily when the cause is found by using the checklist below. Any other servicing should be done by an authorized service representative. If appliance is not working as it should, has been dropped, damaged, left outdoors, or dropped into water, take it to a service center prior to continuing use.

Cleaner won't run.

- Not firmly plugged in.
 - Plug unit in firmly.
- No voltage in wall plug.
 - Check fuse or breaker in home.
- Blown fuse or tripped breaker.
 - Replace fuse or reset breaker in home.
- Fuse in cleaner blown.
 - Take to service center.

Low suction.

- Dirty Water Tank full/ automatic shut off engaged.
 - Remove and empty Dirty Water Tank. See “How to Empty” .
- Blockage In tool on end of hose.
 - Remove tool and clear blockage.
- Dirty Water Tank lid not on correctly.
 - Make sure lid is on securely. See “How to Use”
- Dirty Water Tank Debris Filter Clogged.
 - See “How to Clean”
- Blockage in nozzle.
 - See “How to Clean”
- Recovery Tank not properly secured.
 - Replace Recovery Tank as per instructions .

Hose nozzle stops spraying liquid during use.

- Clean Water Tank or Detergent Container is empty.
 - Turn off cleaner and fill Clean Water Tank and Detergent Container.

Hose nozzle will not spray after filling the Clean Water Tank or Detergent Container.

- Air is trapped in the pump and hose.
 - Turn on the cleaner. If hose does not spray, prime the pump by lowering the hose down to the floor and hold the trigger for up to 1 minute.

Hose nozzle will not spray after priming pump.

- Pump is defective.
 - Call for service: 1-800-944-9200

Clean water won't dispense.

- Clean Water Tank not firmly in place.
 - Make sure tank is securely locked in position.
- Clean Water Tank or solution container empty.
 - Refill container according to instructions for surface being cleaned.

Solution won't dispense

- Mode knob is in "Rinse Mode".
 - Turn Knob to "Wash".

Brushes won't rotate during floor cleaning.

- Dirty filter screen on front of unit behind nozzle.
 - Clean screen.

Warning

This content is compiled from multiple sources and is provided for reference purposes only. It may not be complete or fully applicable to all situations. If you are unable to resolve your issue, please contact the product manufacturer or an authorized service provider for official support.