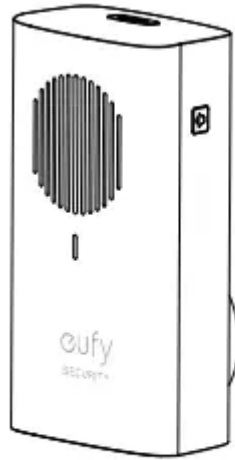
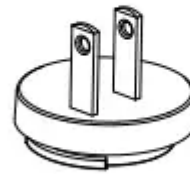


Unpacking



Doorbell Chime
Model: T8740



Power Connector
(Pin type may vary in different regions)

Getting Started

A eufy Security Doorbell is required for the installation and setting to the Chime. The Doorbell Chime is an exclusive accessory to the eufy Security Video Doorbell.

You can pair up to 4 Chimes to your eufy Doorbell to notify anyone inside of activity at the front door, from anywhere in your home.



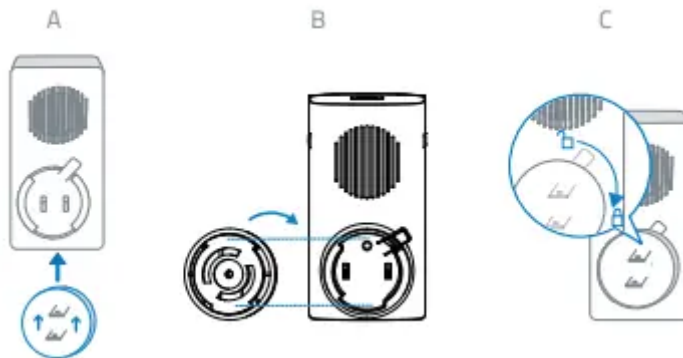
Installation and Settings

Step 1. Fix the Power Connector to the Doorbell Chime:

A. Place the Power Connector over the Chime in the direction the arrows indicate.

B. Align the raised slots of the Power Connector with the notch on the base of the Doorbell Chime.

C. Rotate clockwise to lock the Power Connector in place.



Step 2. Plug the Doorbell Chime into an AC power supply at your desired location.

Step 3. In the EufySecurity App, go to Doorbell Settings - Indoor Chime.

Follow the onscreen instruction to add the Chime to your existing Video Doorbell.



Step 4. You can select the ringtone (up to 8 ringtones) and adjust the volume level (3 volume levels) by using the Music and Volume buttons located on the sides of the Doorbell Chime.

Each Chime can play a different ringtone according to your setting.



Replacing the Power Connector (If necessary)

You may need to replace the power connector given the region you are in. Follow the instructions provided below to replace the Power Connector.

Step 1. Press the Lock button and twist the Power Connector counterclockwise at the same time to remove it from the Doorbell Chime base.



Step 2. Install the new Power Connector onto the Doorbell Chime following the same installation procedure mentioned at the start of the guide.

Warning

This content is compiled from multiple sources and is provided for reference purposes only. It may not be complete or fully applicable to all situations. If you are unable to resolve your issue, please contact the product manufacturer or an authorized service provider for official support.