

IMPORTANT SAFEGUARDS

When using electrical appliances, basic safety precautions should always be followed to reduce the risk of fire, electric shock, and/or injury to persons, including the following:

1. . Read all instructions.
2. This appliance is not intended for use by persons (including children) with reduced physical, sensory, or mental capabilities, or lack of experience and knowledge, unless they are closely supervised and instructed concerning use of the appliance by a person responsible for their safety.
3. Close supervision is necessary when any appliance is used by or near children. Children should be supervised to ensure that they do not play with the appliance.
4. Unplug from outlet when not in use, before putting on or taking off parts, and before cleaning.
5. Avoid contacting moving parts.
6. Do not operate any appliance with a damaged cord or plug, or after the appliance malfunctions or is dropped or damaged in any manner. Call our toll-free customer service number for information on examination, repair, or electrical or mechanical adjustment.
7. The use of attachments not recommended or sold by the appliance manufacturer may cause fire, electric shock, or injury.
8. Do not use outdoors.
9. Do not let cord hang over edge of table or counter, or touch hot surfaces including the stove.
10. Do not place on or near a hot gas or electric burner, or in a heated oven.
11. Do not open pressurized (aerosol-type) cans.
12. Do not open cans of flammable liquids such as lighter fluid.

SAVE THESE INSTRUCTIONS!

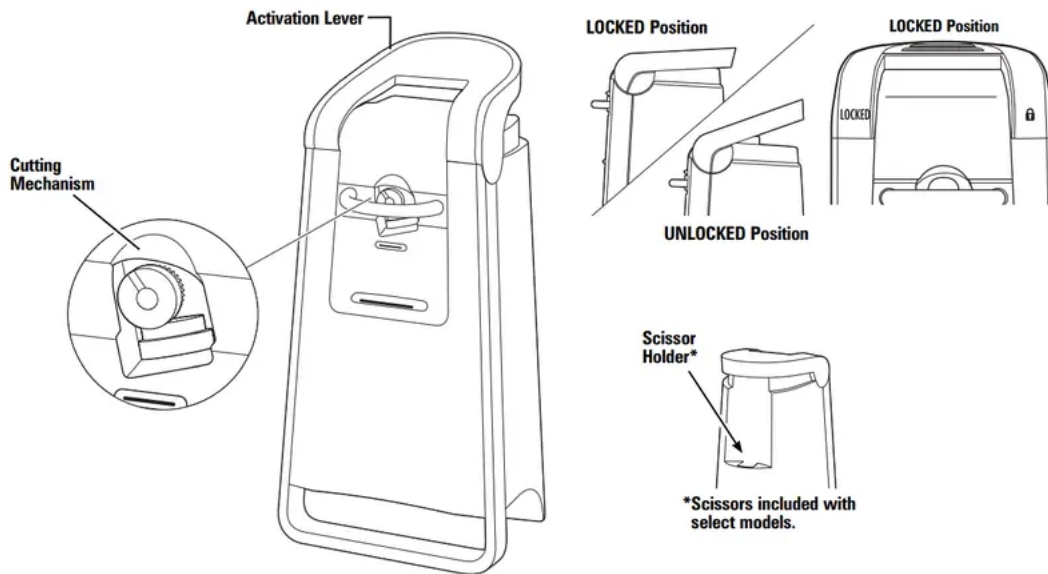
Other Consumer Safety Information

This appliance is intended for household use only.

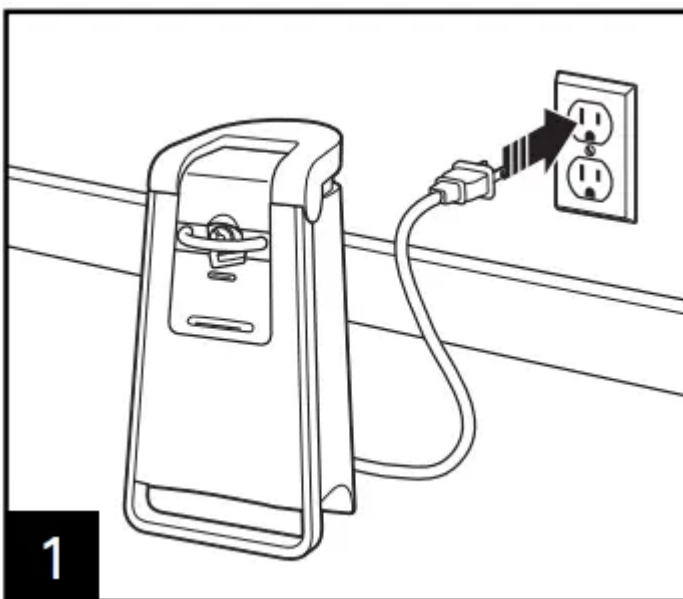
WARNING! Shock Hazard: This appliance has a polarized plug (one wide blade) that reduces the risk of electric shock. The plug fits only one way into a polarized outlet. Do not defeat the safety purpose of the plug by modifying the plug in any way or by using an adapter. If the plug does not fit fully into the outlet, reverse the plug. If it still does not fit, have an electrician replace the outlet.

The length of the cord used on this appliance was selected to reduce the hazards of becoming tangled in or tripping over a longer cord. If a longer cord is necessary, an approved extension cord may be used. The electrical rating of the extension cord must be equal to or greater than the rating of the appliance. Care must be taken to arrange the extension cord so that it will not drape over the countertop or tabletop where it can be pulled on by children or accidentally tripped over.

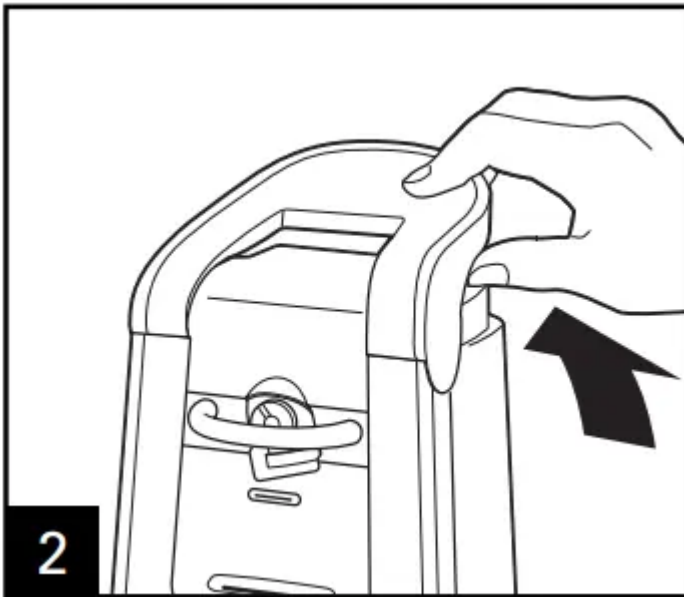
Parts and Features



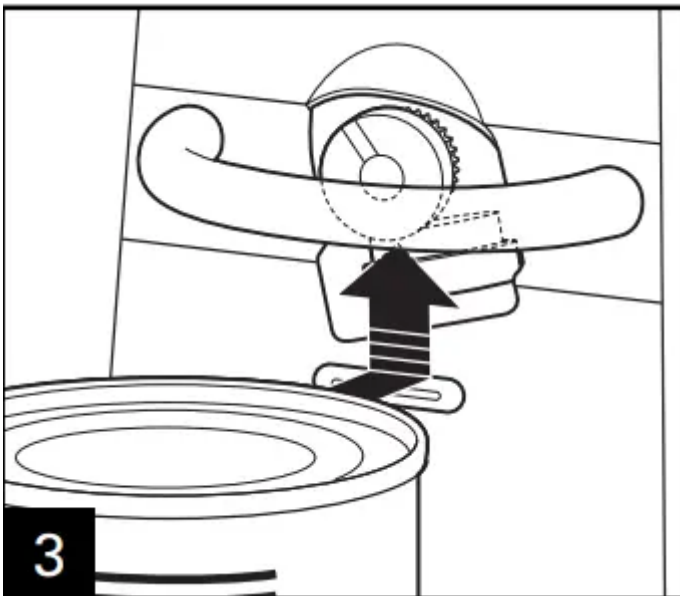
How to Use



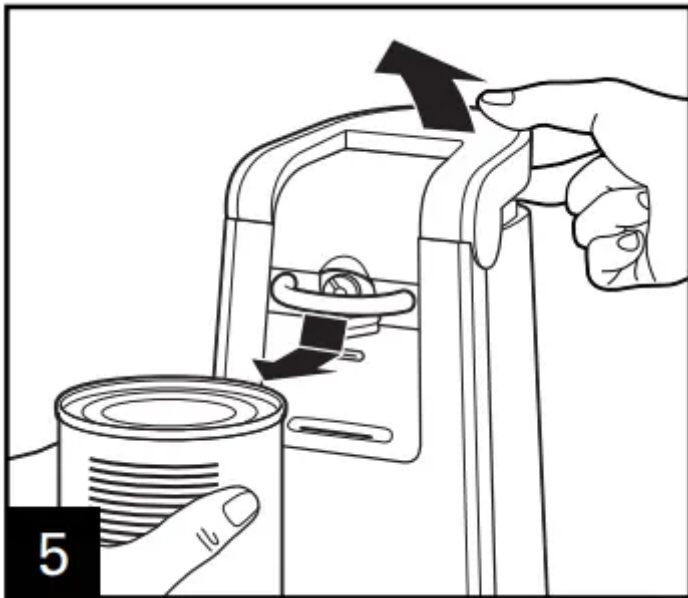
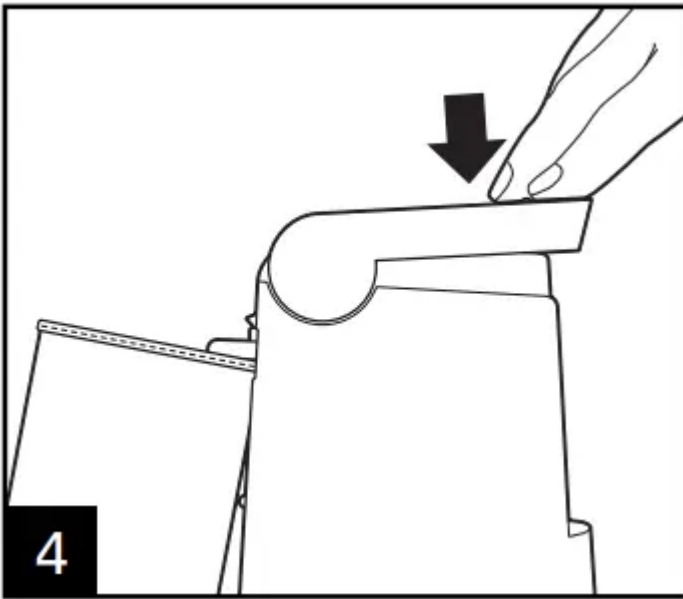
2. Make sure the activation lever is pulled all the way UP and in the UNLOCKED position.



3. Place can against front of can opener and lift up until rim is under cutting mechanism.



4. Hold the lever down until the can has completed ONE ROTATION ONLY.

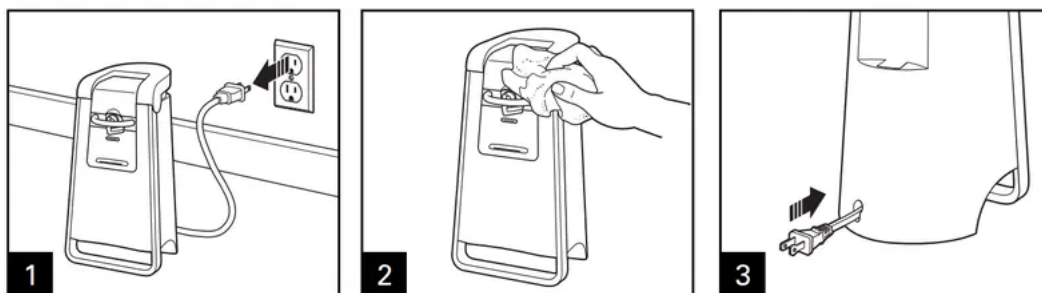


5.

NOTES:

- The motor WILL NOT automatically stop or lift the lid when the can has opened.
- Allowing only one rotation reduces or prevents metal slivers.
- When the motor sound shifts to a higher pitch, the can is open. Carefully lift the lid up to remove.

Care and Cleaning



TIPS:

- DO NOT hold the can while the can is being opened.
- Some microwaveable can designs do not work with this can opener.
- The can opener will easily open all standard-size cans and cans with pop-top lids.
- If there is a bump, dent, or heavy seam in the rim of the can, open the other end of the can or start cutter just beyond it.
- The motor of your can opener is permanently lubricated and will require no oiling.

Warning

This content is compiled from multiple sources and is provided for reference purposes only. It may not be complete or fully applicable to all situations. If you are unable to resolve your issue, please contact the product manufacturer or an authorized service provider for official support.