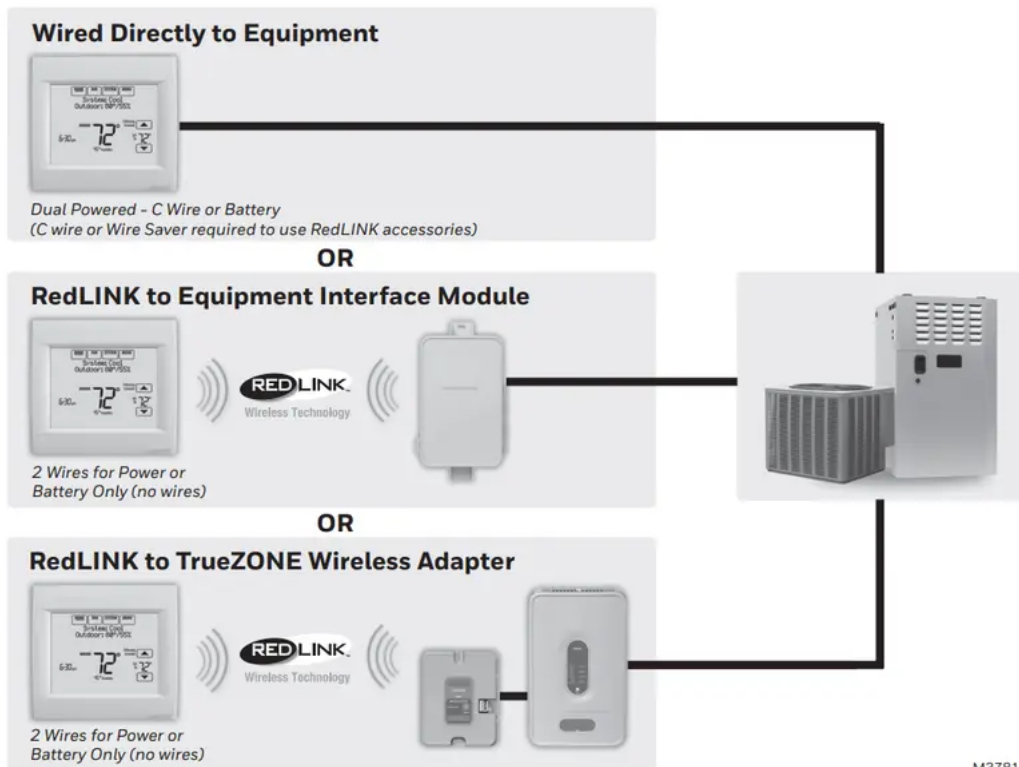
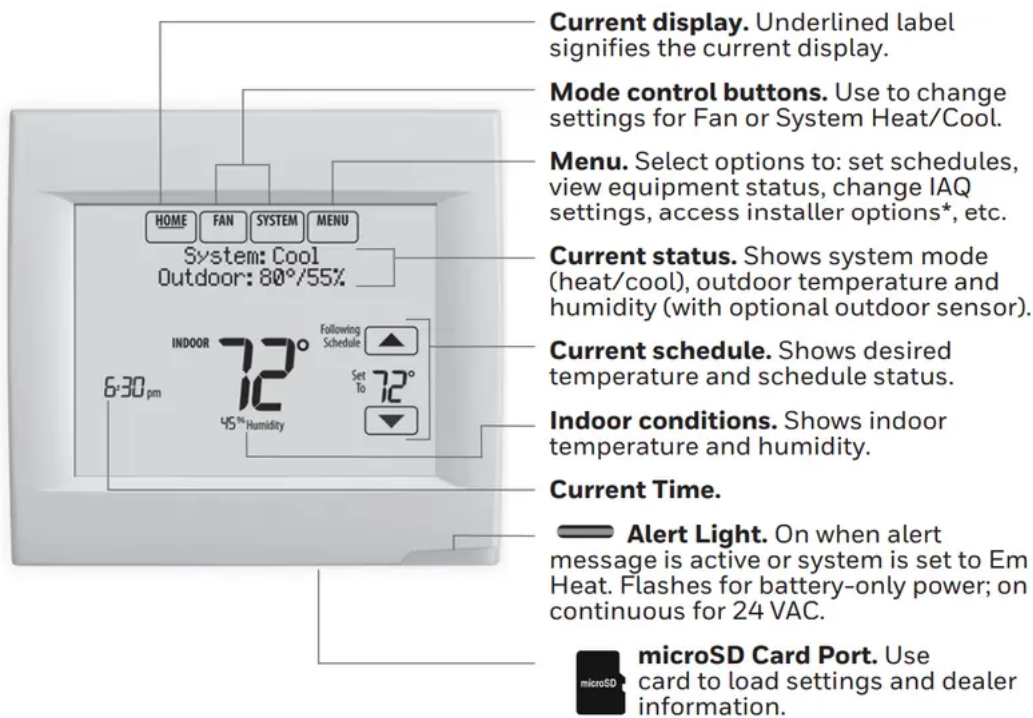


User Manual Thermostat



M37817

Reference to key features



* Password is the date code.

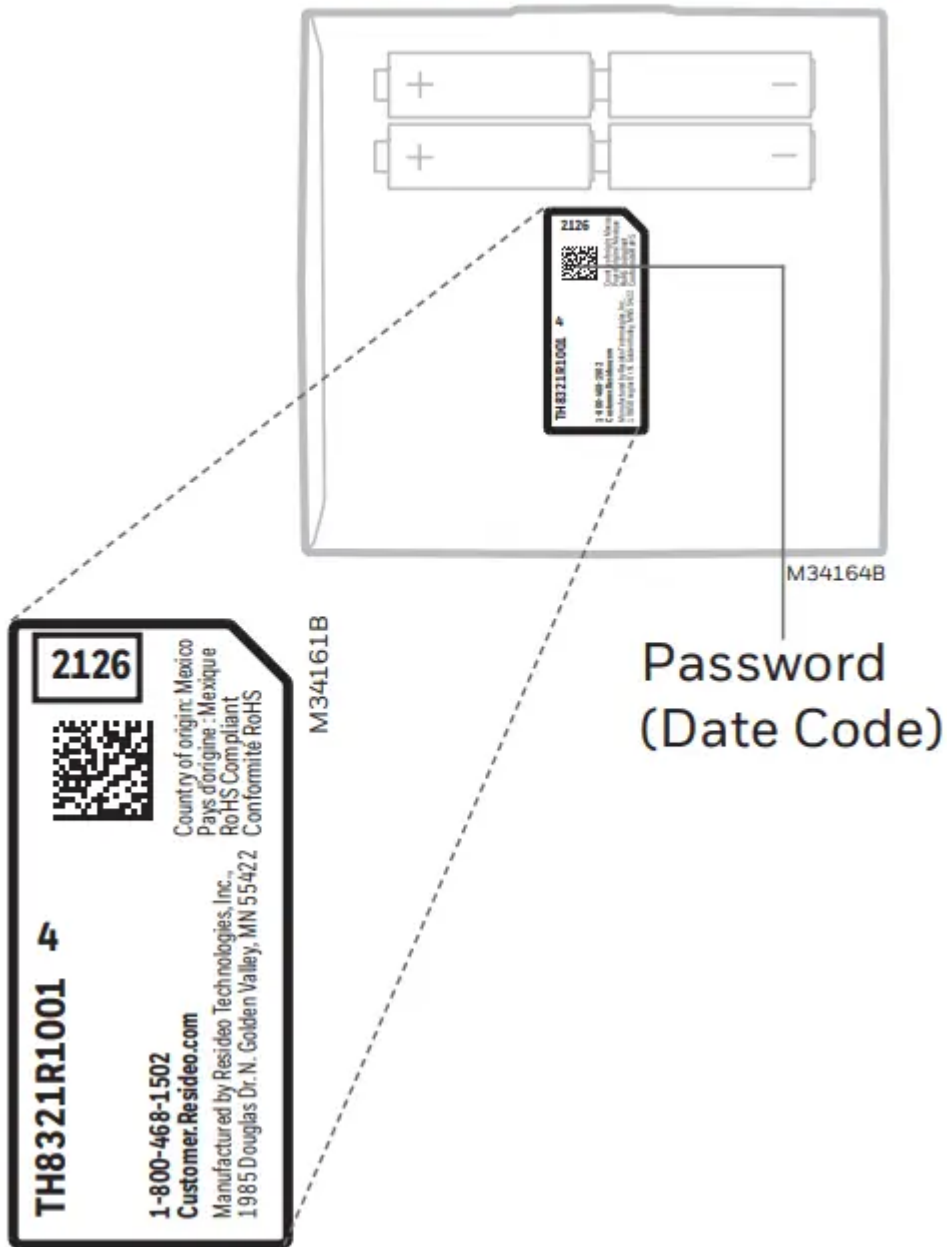


Getting started

Follow these basic steps to install this thermostat, link it with the wireless accessories, and set installer options.

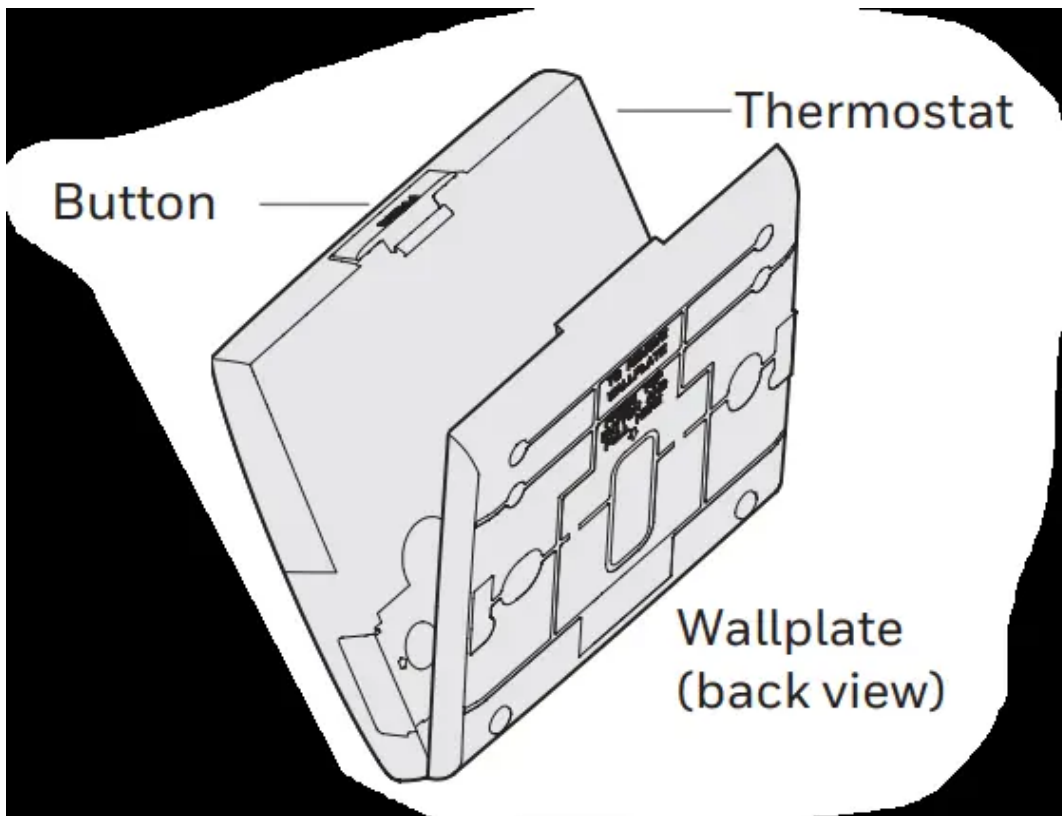
1. Installing the thermostat
2. Powering optional RedLINK accessories
3. Performing initial setup
4. Finding your password (Date Code)
 - To add or remove RedLINK accessories
 - To make changes to Installer Setup
 - To perform an Installer Test

Thermostat (back view)



Installing the thermostat

NOTE: For best RedLINK performance, mount thermostats at least 2 feet apart.

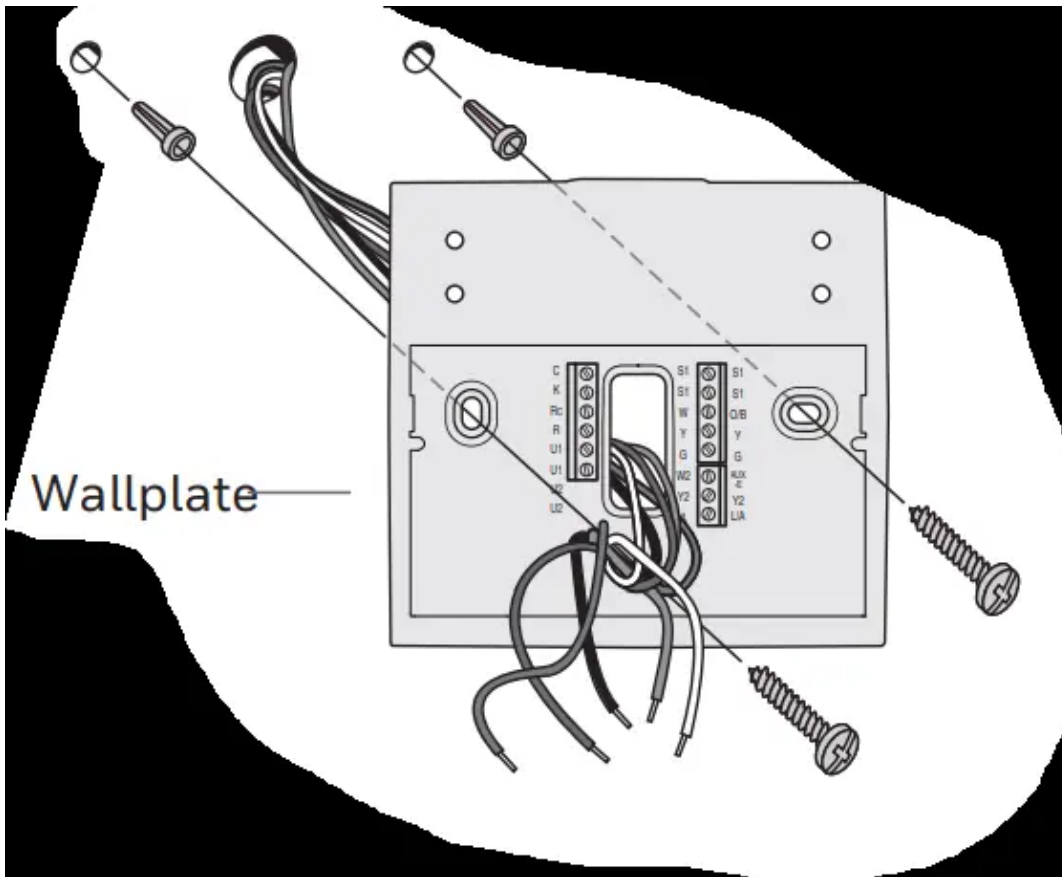


1.1. Separate wallplate from thermostat.

If your thermostat has a button along the top of the wallplate, press button on top and pull to remove the wallplate as shown. Updated models do not have this button. On those models pull evenly along the sides and bottom of the thermostat to separate it from the wallplate.

1.2. Mount wallplate as shown.

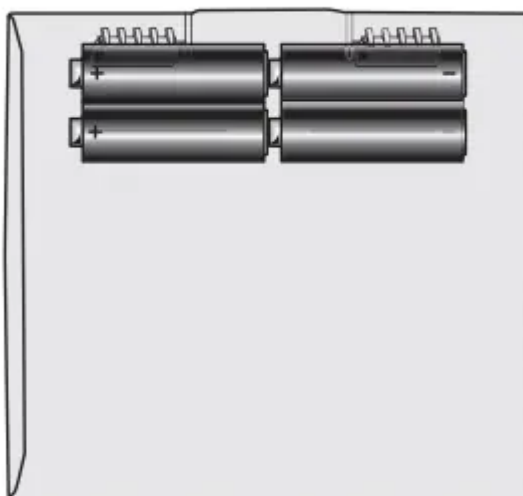
Mount new wallplate using screws and anchors included with the thermostat. Drill 3/16-in holes for drywall. Drill 7/32-in holes for plaster.



1.3. Connect power.

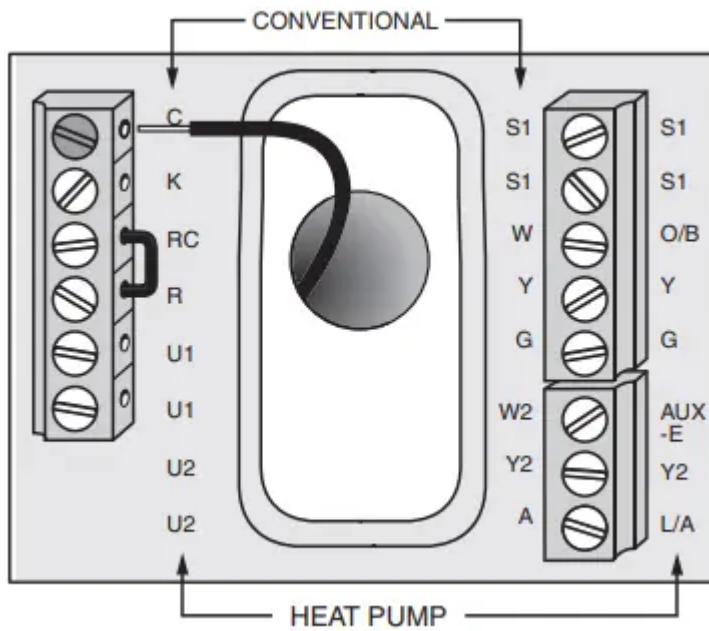
1.3a Insert supplied AA alkaline batteries for primary or backup power.

NOTE: When the thermostat is NOT used with the Equipment Interface Module or the TrueZONE Wireless Adapter, a C wire is required for RedLINK.



Thermostat (back view)

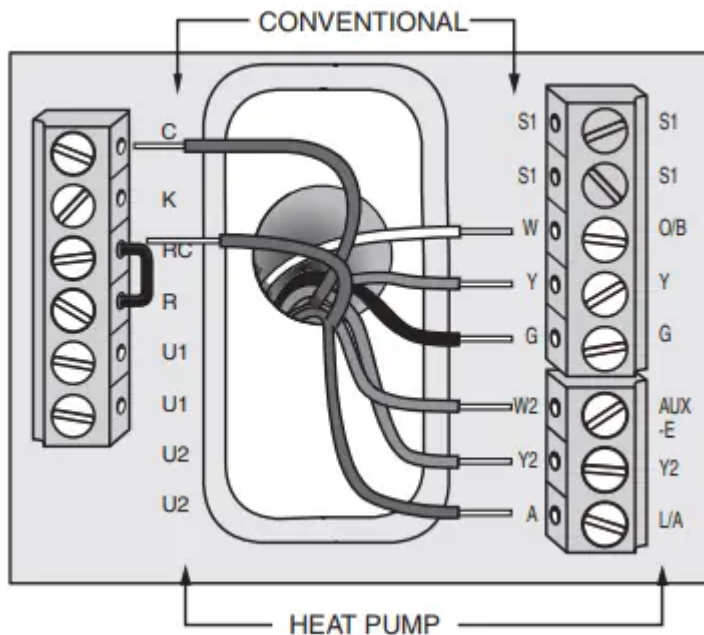
1.3b For 24VAC primary power, connect common side of transformer to C terminal.



1.4 Wire the thermostat.

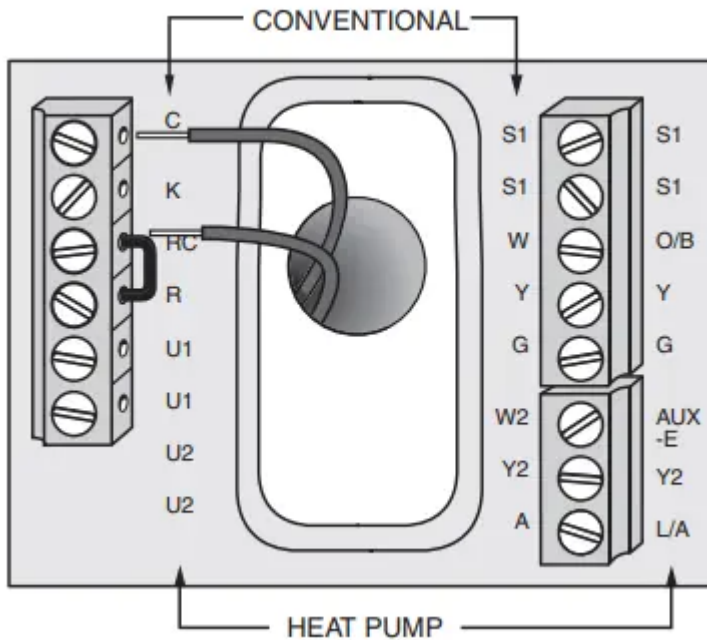
Is the thermostat wired directly to the equipment?

- If the thermostat is wired directly to the equipment:
 - a. Refer to the table and wiring diagrams on the next page.
 - b. Turn on 24VAC NOW. 24VAC (C wire) is required to connect RedLINK accessories.



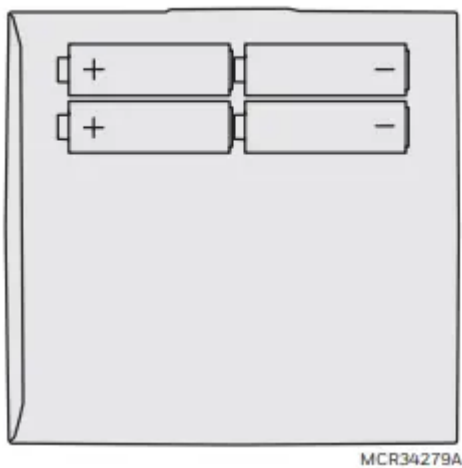
If the thermostat is used with an Equipment Interface Module or TrueZONE Wireless Adapter, power the thermostat using Rc and C terminals or with batteries.

NOTE: The relay outputs and inputs on the thermostat do not function when used with an Equipment Interface Module or TrueZONE Wireless Adapter.



1.5 With thermostat removed from sub-base, insert the coin cell battery.

NOTE: On some models the coin cell battery compartment slides out from the left side of the thermostat when viewing it from the back (not pictured).

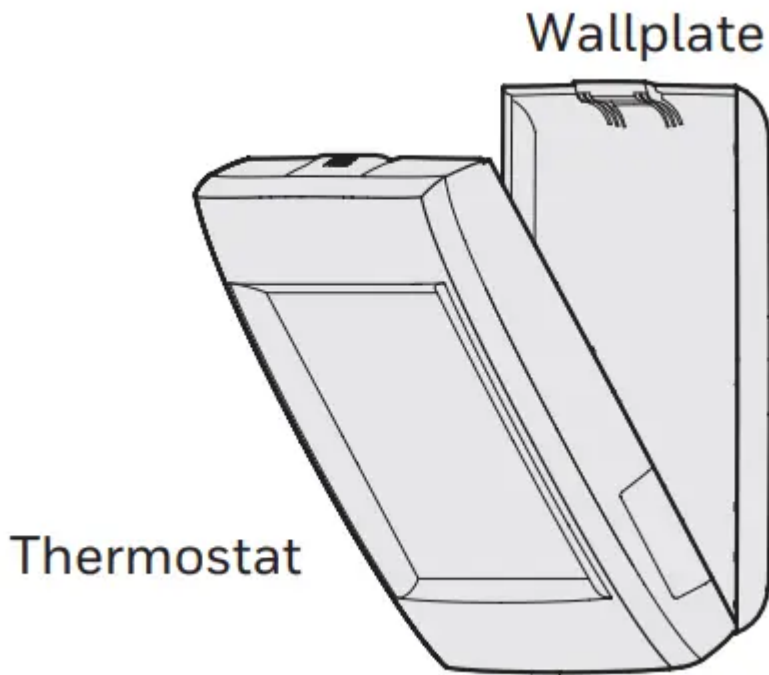


1.6 Mount thermostat on wallplate.

NOTE: If your thermostat has hinges at the bottom of the wallplate as shown, insert the thermostat into the hinges, then push the top toward the wall until it snaps together. Updated models do not



have hinges. On those models push evenly along the sides and bottom of the thermostat to connect it to the wallplate.



Terminal Designations

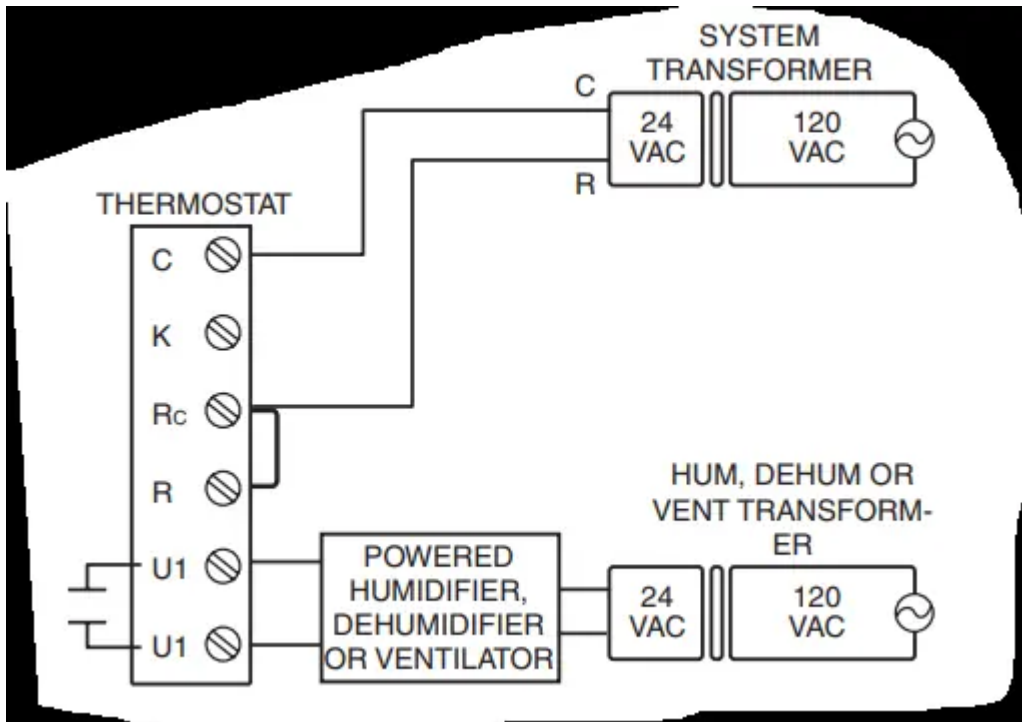
Conventional System		Heat Pump	
Terminal	Description	Terminal	Description
C	Common wire from secondary side of cooling transformer (if 2 transformers).	C	Common wire from secondary side of cooling transformer.
Rc*	Cooling power.	Rc	Cooling power.
R*	Heating power.	R	Heating power.
W	Heat Stage 1	O/B	Changeover valve for heat pumps.
W2	Heat Stage 2	AUX-E	Backup Heat/Emergency Heat
Y	Compressor Stage 1	Y	Compressor Stage 1
Y2	Compressor Stage 2	Y2	Compressor Stage 2
G	Fan Relay	G	Fan Relay
A	Connect to Economizer Module or Lighting Panel (TOD).	L/A	Connect to Compressor Monitor, Zone Panel, Economizer Module or Lighting Panel (TOD).
U1 / U1	Relay for humidification, dehumidification, ventilation, or a stage of heating/cooling.	U1 / U1	Relay for humidification, dehumidification, ventilation, or a stage of heating/cooling.
S1 / S1	Input for a wired indoor, outdoor or discharge sensor.	S1 / S1	Input for a wired indoor, outdoor or discharge sensor.
K**	Connect to K on C-wire adaptor.	K**	Connect to K on C-wire adaptor.

* Remove factory installed jumper for two transformer systems.

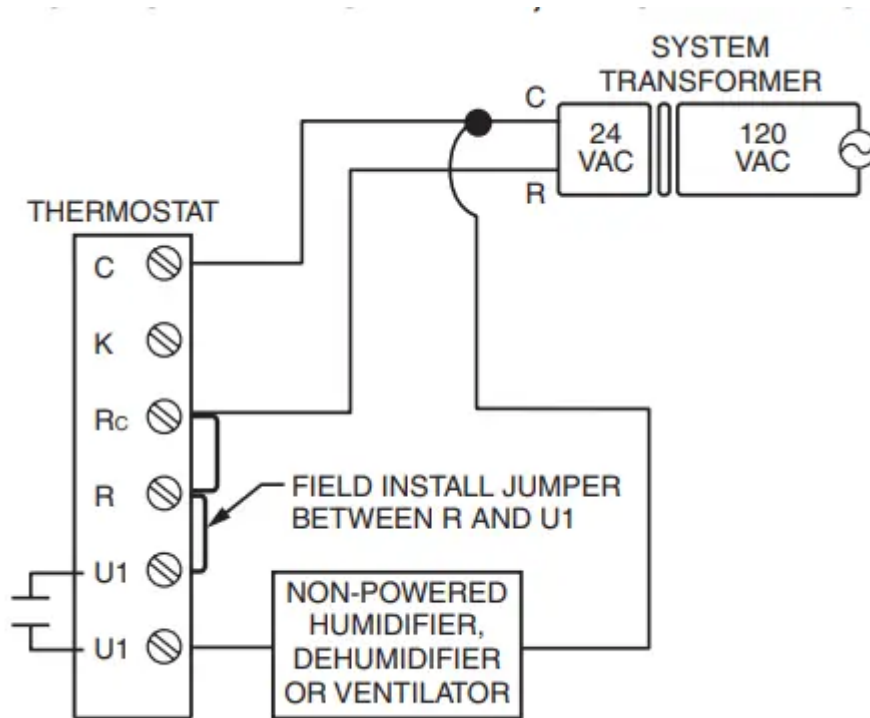
** The THP9045A1098 C-wire adaptor is used on heat/cool systems when you only have four wires at the thermostat and you would like the thermostat to be powered with a common wire. Use the K terminal in place of the Y and G terminals on conventional or heat pump systems to provide

control of the fan and the compressor through a single wire—the unused wire then becomes your common wire. See THP9045 instructions for more information.

POWERED HUMIDIFIER, DEHUMIDIFIER OR VENTILATOR

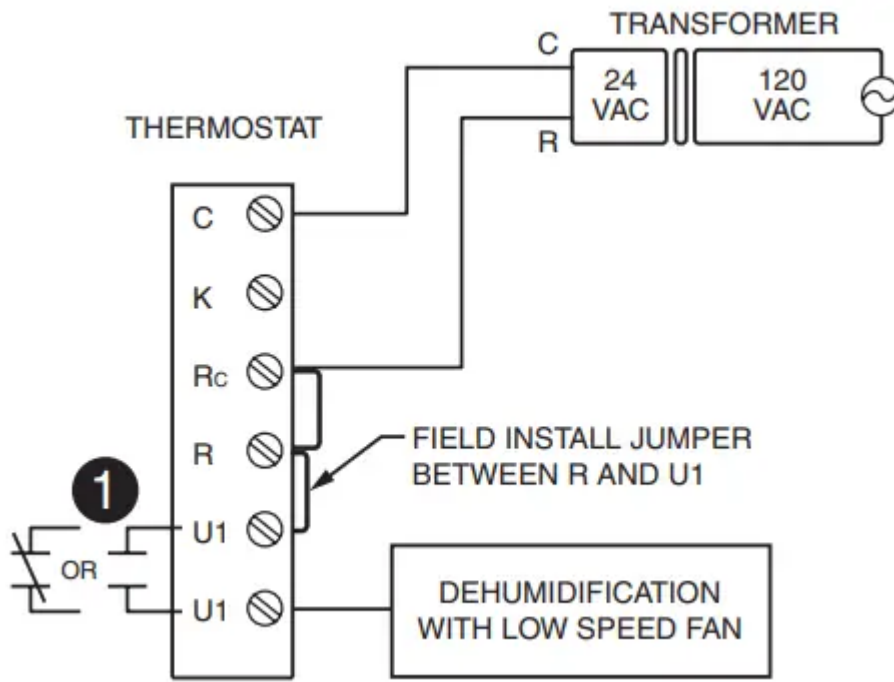


NON-POWERED HUMIDIFIER, DEHUMIDIFIER OR VENTILATOR

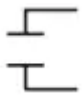


DEHUMIDIFICATION WITH LOW SPEED FAN

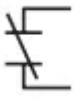




1. Wire the thermostat U1 terminal to the low speed fan for dehumidification control at the equipment as shown. The relay can be set to normally open or normally closed in the installer setup.

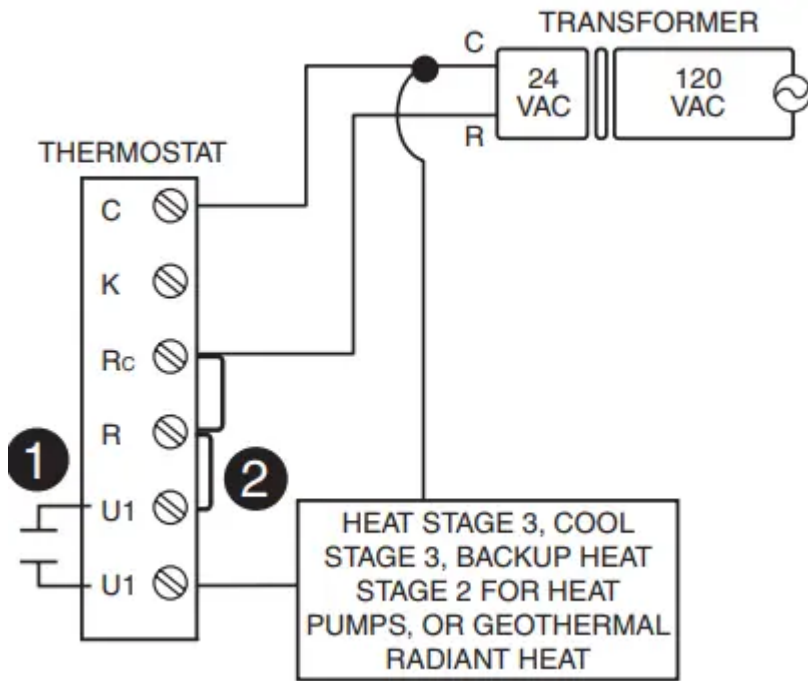


Normally open, dry contacts



Normally closed, dry contacts

CONNECTING A HEAT OR COOL STAGE TO U1



1. U1 terminals are normally open dry contacts when set up for a stage of heating or cooling.
2. You must install a field jumper if the stage of heating or cooling is powered by system transformer. Do NOT install a field jumper if the stage of heating has its own transformer.

Powering optional RedLINK accessories

2.1 Install batteries in RedLINK accessories.

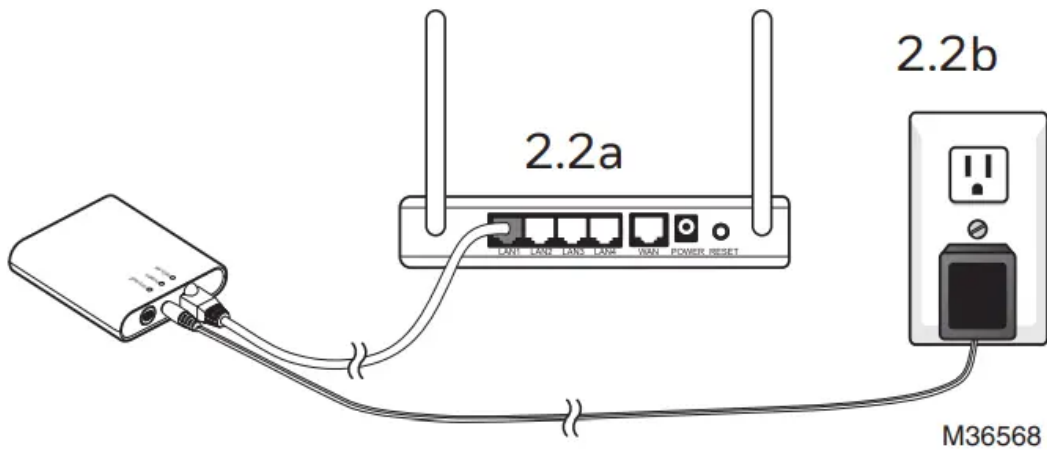
- Portable Comfort Control
- Wireless Outdoor Sensor*
- Wireless Indoor Sensor*
- Wireless Entry/Exit Remote*
- Wireless Vent and Filter Boost Remote* * Requires setup. See Installer Setup options in Step 3.4.

2.2 Connect gateway to internet and connect to power.

2.2a Connect RedLINK Internet Gateway to router or modem with Ethernet cable (RJ45).

2.2b Connect gateway's power cord to an electrical outlet that is not controlled by a wall switch.

NOTE: If the thermostat is wired directly to the equipment, 24VAC (C wire) is required to connect RedLINK accessories. Turn on 24VAC before performing initial setup in Step 3.



Performing initial setup

Initial setup options define the type of system you are installing:

- Residential or commercial
- Non-zoned or zoned
- Used with or without an Equipment Interface Module (THM5421)
- Used with or without the TrueZONE Wireless Adapter (THM4000)

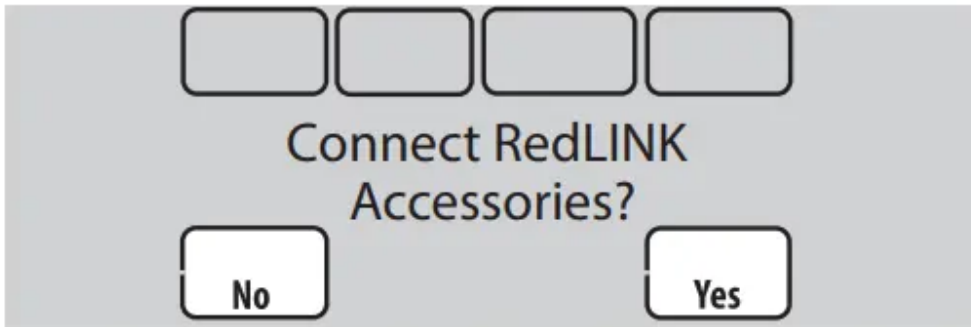
3.1 Follow prompts on the screen to select the appropriate options.

NOTE: If you are connecting the thermostat to the TrueZONE Wireless Adapter (THM4000), refer to the TrueZONE instructions to link the thermostat and RedLINK accessories. Then go to Step 3.4.



3.2 When you see the prompt Connect RedLINK Accessories? Touch No or Yes.

- If you select No, continue to Step 3.4.
- If you select Yes, you will be prompted to Press Connect on New Accessories. Continue to Step 3.3.



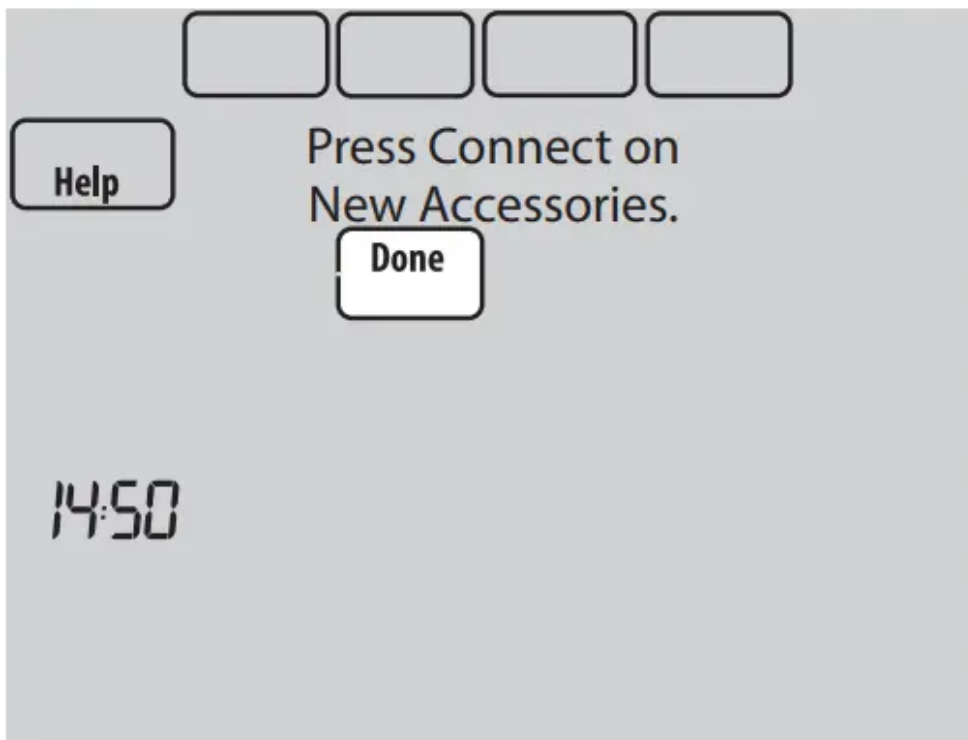
3.3 Connect each RedLINK accessory.

NOTE: Accessories must be at least 2 feet away from the thermostat during the linking process.

3.3a While the Press Connect message is displayed (listening mode), press and quickly release the CONNECT button on each new RedLINK accessory.

3.3b After a short delay (up to 15 seconds), check thermostat to confirm the connection of each RedLINK accessory. Touch ▲ or ▼ to review the list.

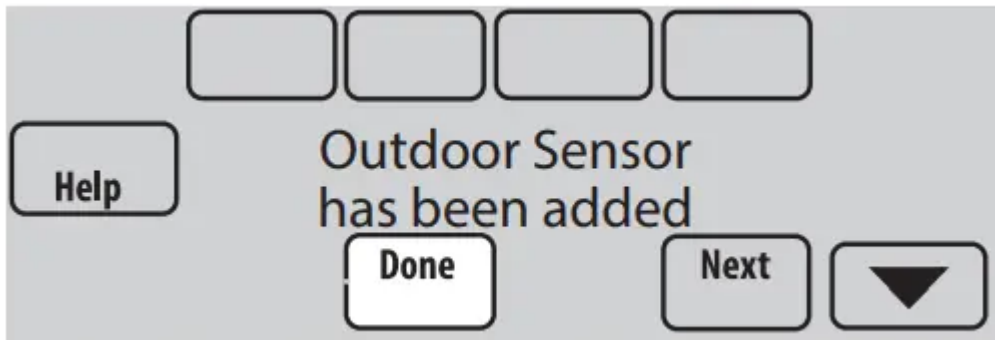
3.3c Touch Done at the thermostat after all new RedLINK accessories are connected.



Listening mode



NOTE: Thermostat displays a countdown timer while in the listening mode. If it detects no activity for 15 minutes, it exits listening mode.

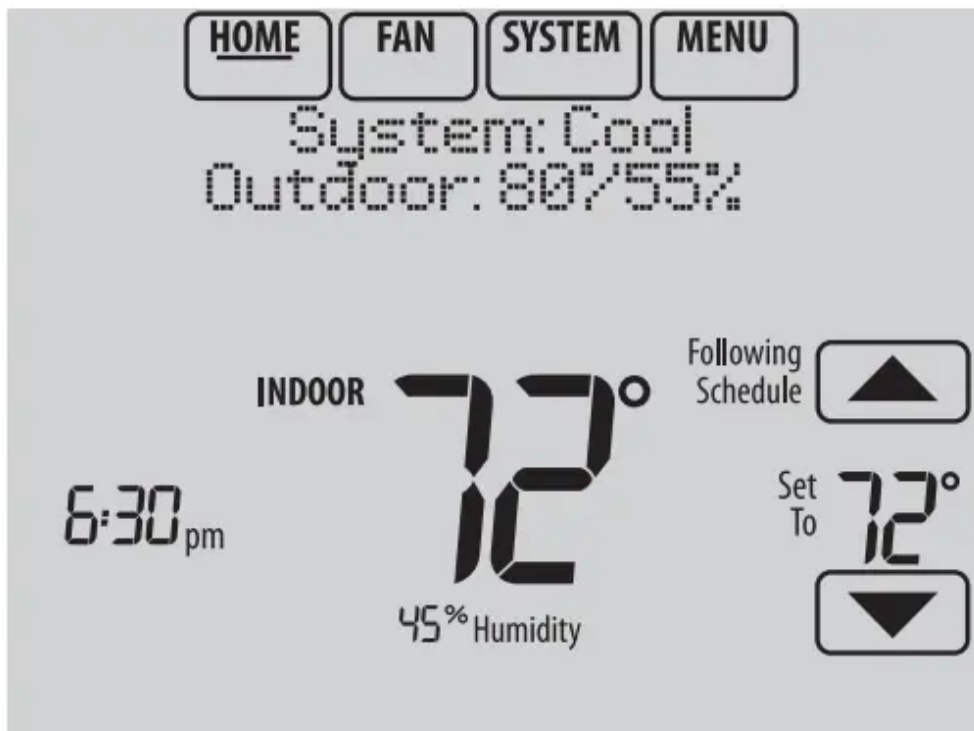


3.4 Finish the initial setup.

Finish the setup by selecting the desired options. Touch **Done** after you select the last option you want to change.



The thermostat now displays its Home screen and the thermostat setup is complete.



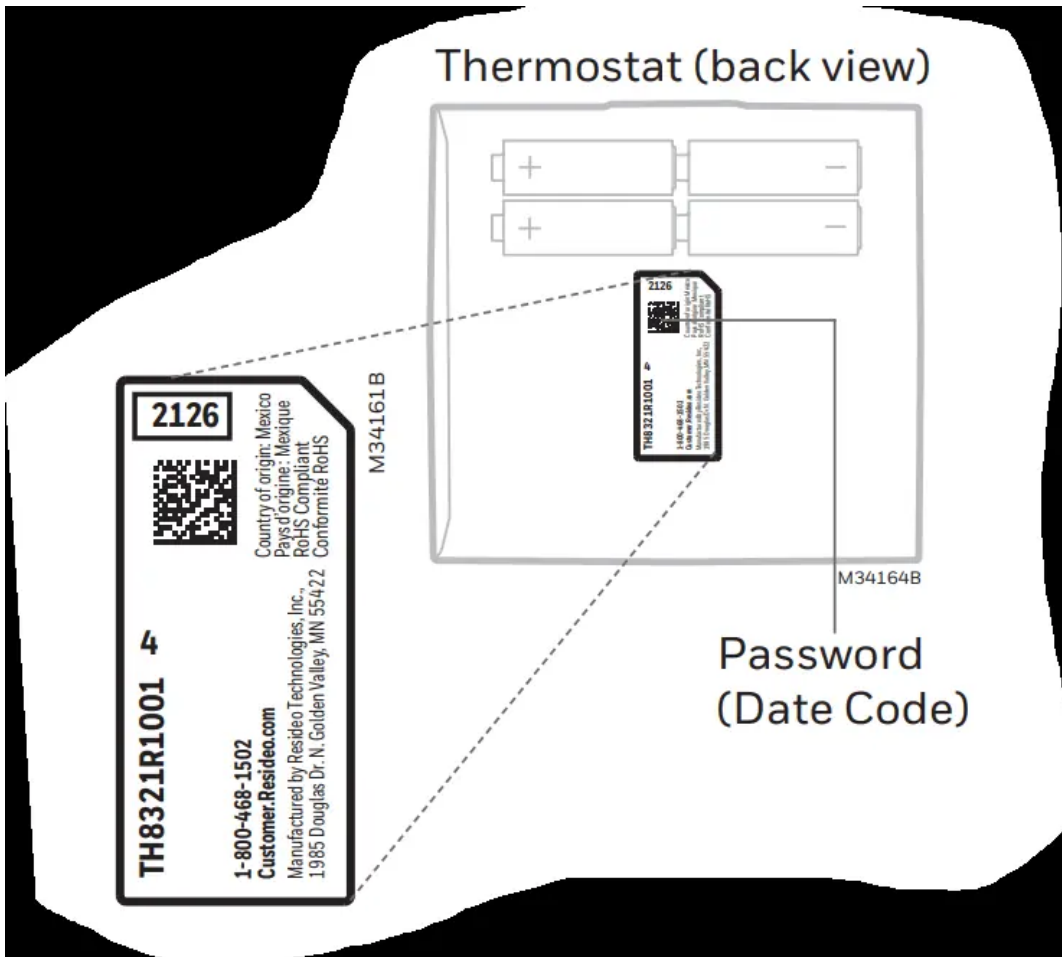
Finding your password (Date Code)

- To add or remove RedLINK accessories
- To make changes to Installer Setup
- To perform an Installer Test

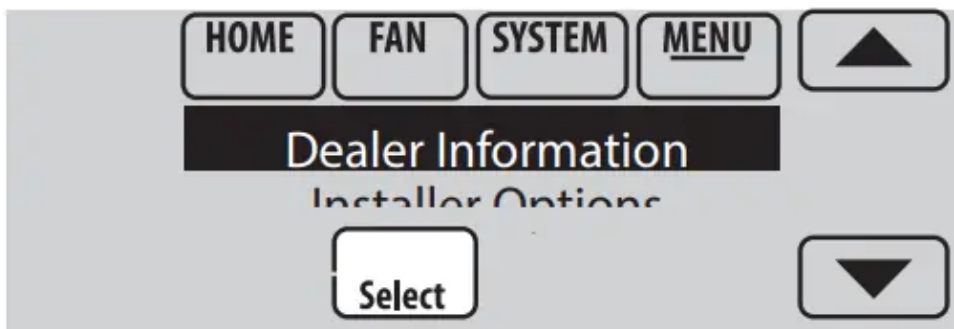
Finding your password

You can find the date code on the back of the thermostat, or

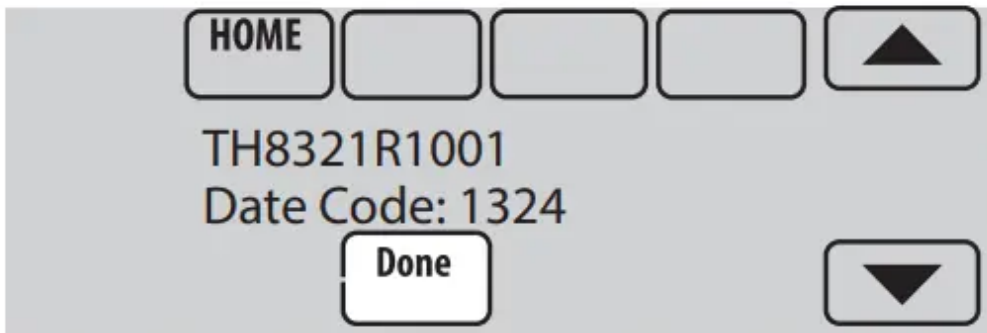
1. Touch Menu.



2. Select Dealer Information.

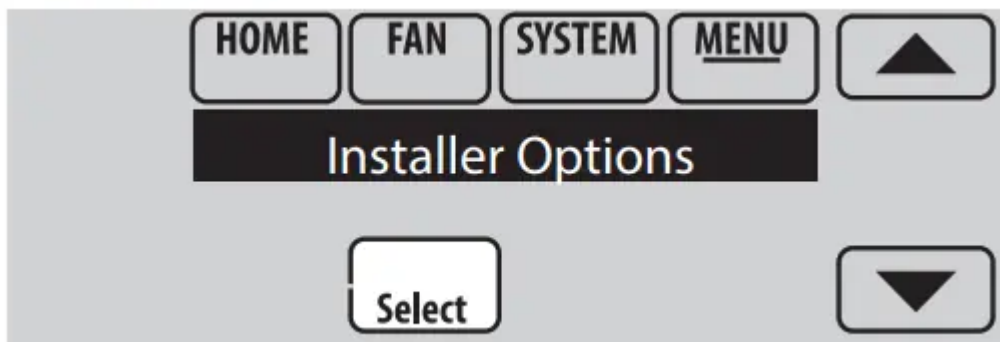


3. Scroll down to see the Date Code.



Linking RedLINK accessories to the thermostat

1. Touch Menu.

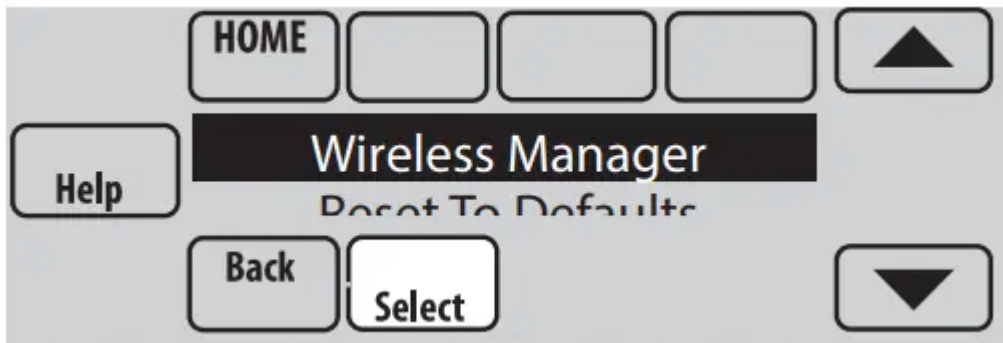


2. Select Installer Options.
3. Enter password (date code) and touch Done.



4. Select Wireless Manager.





5 Select Add Device. The screen displays “Press Connect on New Accessories.” The thermostat is now in listening mode.

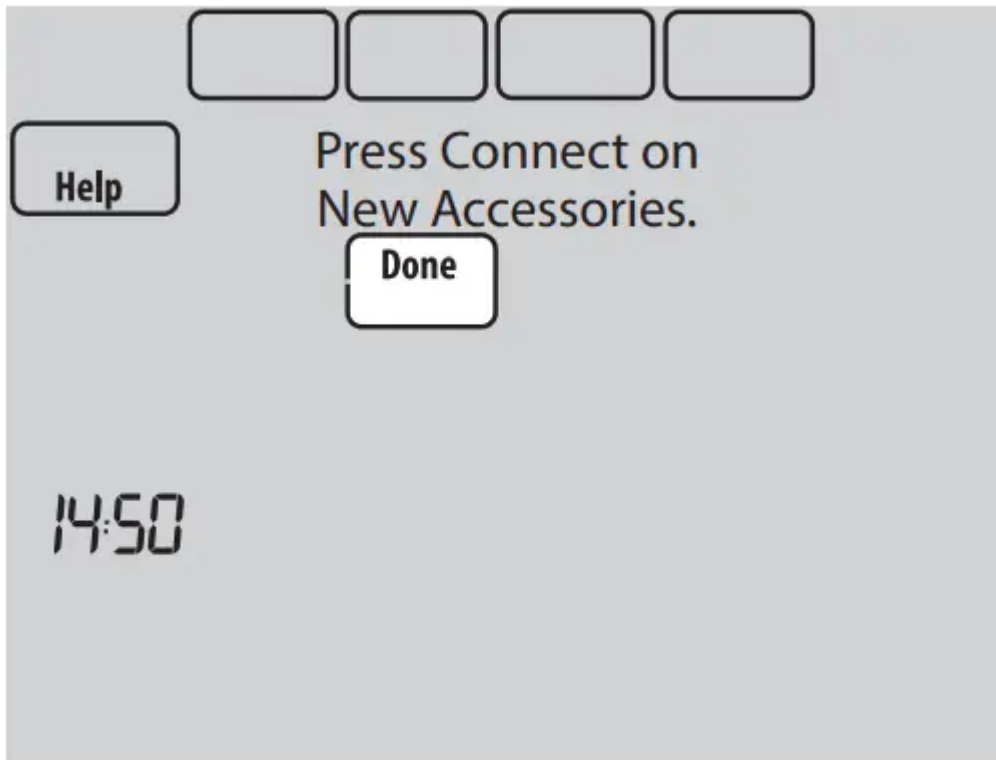


NOTE: Accessories must be at least 2 feet away from the thermostat during the linking process.

5a. Press and quickly release the CONNECT button on each new RedLINK accessory.

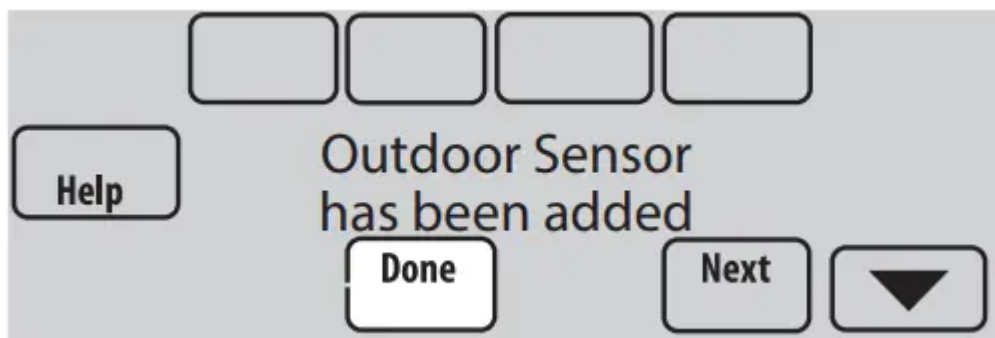
5b. After a short delay (up to 15 seconds), check thermostat to confirm the connection of each RedLINK accessory. Touch s or t to review the list.

5c. Touch Done at the thermostat after all new RedLINK accessories are connected.



Listening mode

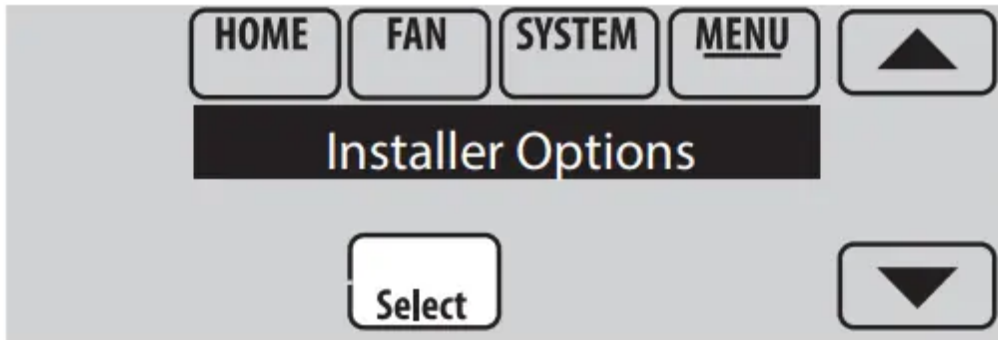
NOTE: Thermostat displays a countdown timer while in the listening mode. If it detects no activity for 15 minutes, it exits listening mode.



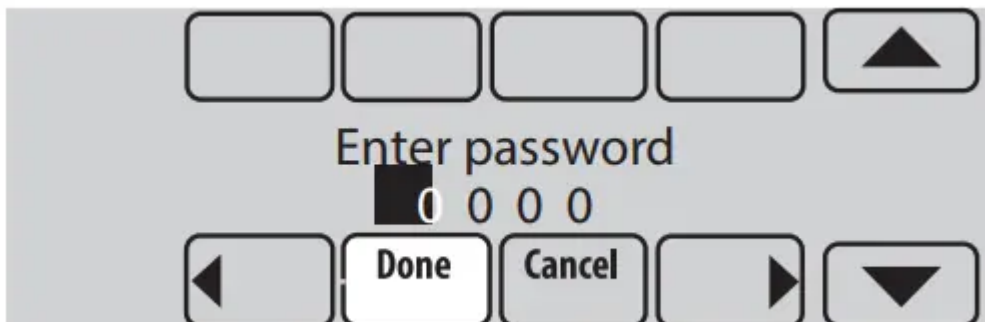
Making changes to Installer Setup and performing an Installer Test

NOTE: Use a microSD card to save set up time. See next page.

1. Touch Menu.

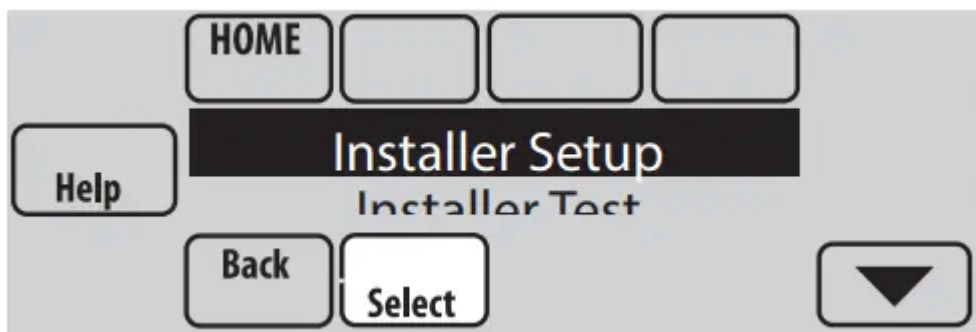


2. Select Installer Options.



3. Enter password (date code) and touch Done.

4. Select Installer Setup or Installer Test.



5. Follow prompts on the screen to select the desired setup options or to perform an equipment test.



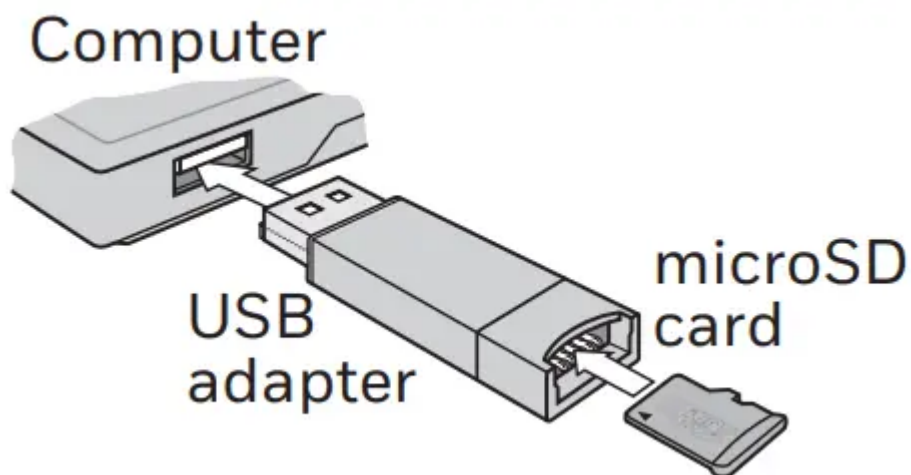
Using a microSD card for setup, data logs and software upgrades

Use a microSD (secure digital) card to save setup time by loading Installer Setup settings, Dealer Information, Holiday Schedules, and Custom Reminders to multiple thermostats. For troubleshooting help, you can save the thermostat Data Logs (Alerts Log and Interaction Log) to a

microSD card - then view them on your computer. Also use the microSD card to upgrade the thermostat software.

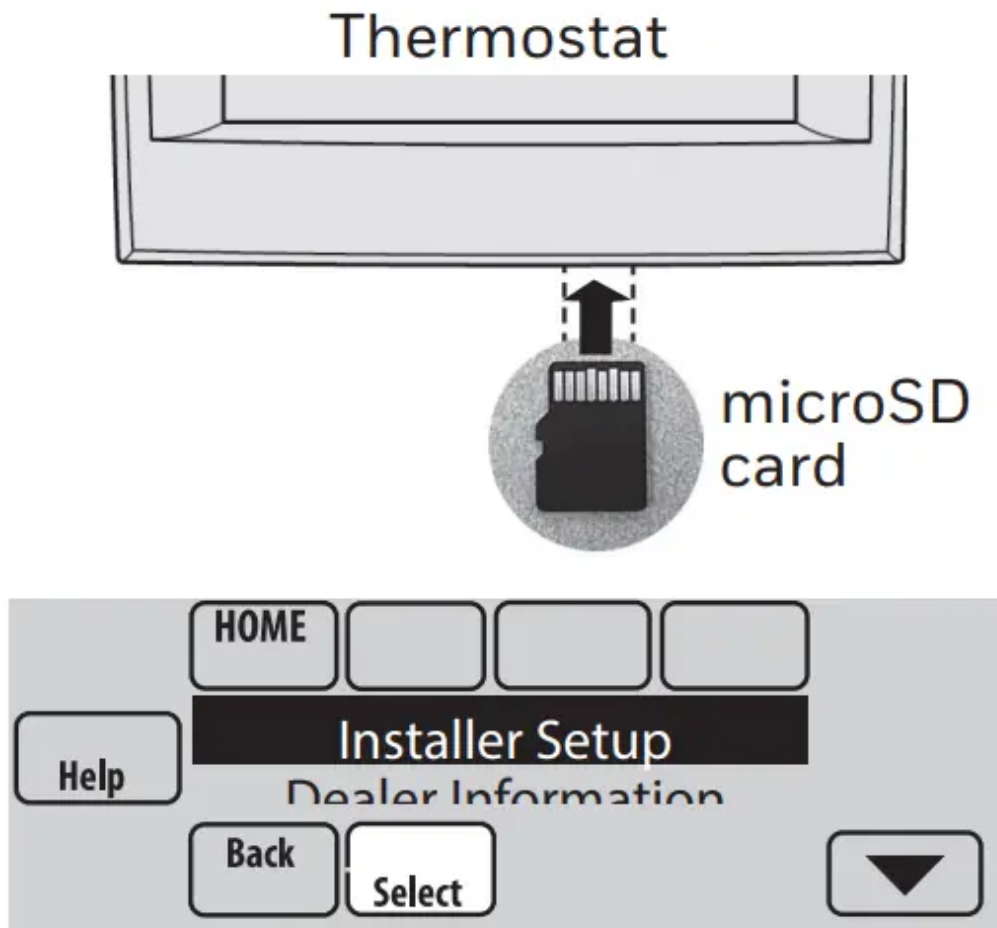
Loading Dealer Information and New Thermostat Software:

1. Visit <http://thermostatsetup.honeywell.com> to enter your dealer information or load new thermostat software.
2. Connect a microSD USB Adapter to your computer to download the file(s).
3. After the file(s) are downloaded, remove the microSD card from the adapter and insert into thermostat.



To use the microSD card in the thermostat:

1. Slide card into the bottom of thermostat.
2. Select the item to load or save.
 - To add information from the card to the thermostat, select Load from SD Card.
 - To put thermostat information on the card, select Save to SD Card.
3. Follow the prompts on the screen.
4. When you are finished, touch Done, then Home, and remove the microSD card.



To replace a thermostat

When you replace a thermostat, you must reset the RedLINK accessories before connecting them to the new thermostat. Follow the instructions below:

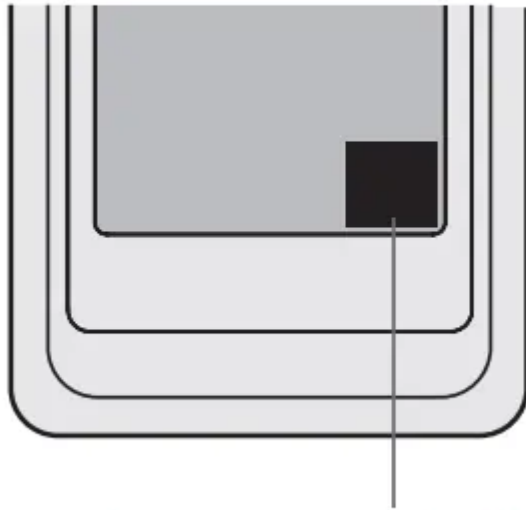
At the Portable Comfort Control:

Press and hold the blank space (or arrow) in the lower right hand corner of the screen until the display changes (hold for about 4 seconds). Press REMOVE, then YES to disconnect from the old thermostats. To reconnect the thermostat, go to Step 3.2.

At the Indoor Sensor, RedLINK Internet Gateway, Entry/Exit Remote, Vent-Filter Boost Remote or TrueSTEAM Wireless Adapter:

Press and hold the CONNECT button on the accessory until the status light glows amber (hold for about 10 seconds). To reconnect the thermostat, go to Step 3.2.

Portable Comfort Control



Press and hold

At the Equipment Interface Module (EIM): Press and hold the CONNECT button on the EIM until the CONNECTED LED glows amber (hold for about 10 seconds). Follow the prompts on the screen to connect the new thermostat to the EIM.

Warning

This content is compiled from multiple sources and is provided for reference purposes only. It may not be complete or fully applicable to all situations. If you are unable to resolve your issue, please contact the product manufacturer or an authorized service provider for official support.