

KENMORE VACUUM CLEANER WARRANTY

If product is purchased at a Sears, Kmart or Sears Hometown retailer:

KENMORE LIMITED WARRANTY

FOR FIVE YEARS from the date of sale, this product is warranted against defects in material or workmanship when it is assembled, operated and maintained according to all supplied instructions.

WITH PROOF OF SALE, a defective appliance will be replaced free of charge.

This warranty does not cover filters or belts, which are expendable parts that can wear out from normal use within the warranty period.

This warranty is void if this product is ever used for other than private household purposes.

This warranty gives you specific legal rights, and you may also have other rights which vary from state to state.

Transform SR Brands Management LLC, Hoffman Estates, IL 60179

If product is purchased from other than a Sears, Kmart or Sears Hometown retailer:

KENMORE LIMITED WARRANTY

FOR FIVE YEARS from the date of sale this product is warranted against defects in material or workmanship.

WITH PROOF OF SALE a defective product will be replaced free of charge.

The Kenmore brand is used under license. Direct all claims for warranty service to: Cleva North America, Inc., 1-844-608-3080

This warranty does not cover filters or belts, which are expendable parts that can wear out from normal use within the warranty period.

This warranty is void if this product is ever used for other than private household purposes.

This warranty gives you specific legal rights, and you may also have other rights which vary from state to state.

Cleva North America, Inc., Greenville SC 29607

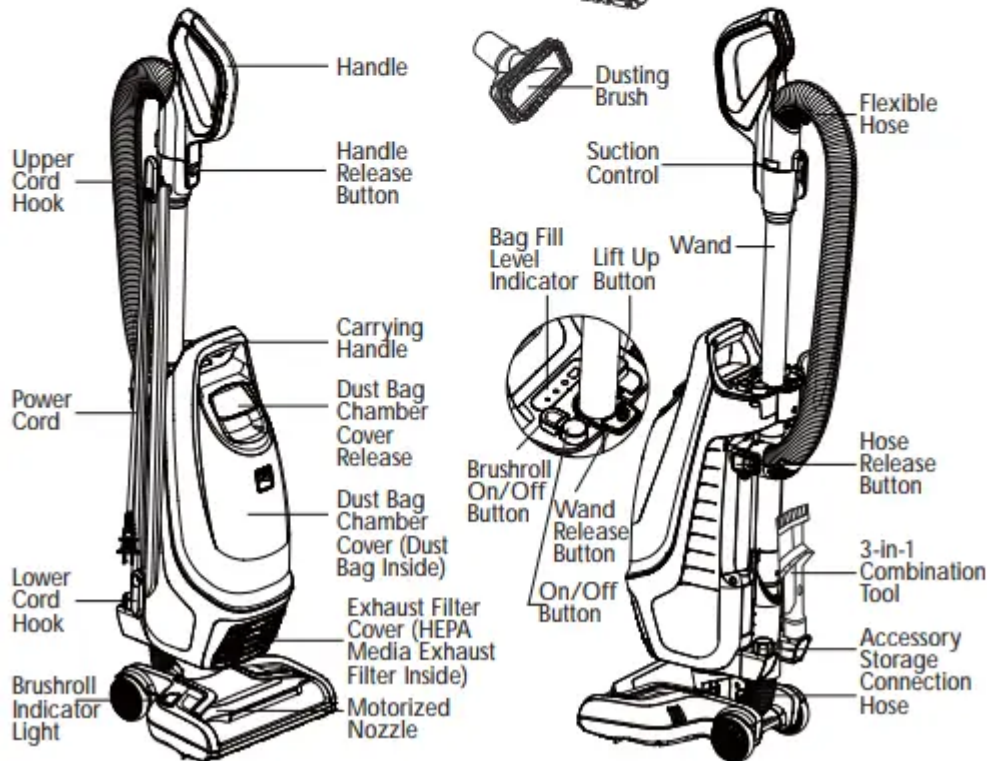
PARTS AND FEATURES

It is important to know your vacuum cleaner's parts and features to assure its proper and safe use. Review these before using your vacuum cleaner

REPLACEMENT PARTS

Item	Part No.
Foam Filter	561060125
HEPA Media Exhaust Filter	561055118
3-in-1 Combination Tool	561055134
Dusting Brush	561016200
Pet HandiMate®	561014106
Dust Bag (6-pack)	IB600
Wand	561060175
Flexible Hose (with handle)	561060172
Filter Kit (HEPA Exhaust + Foam Filter)	561060184

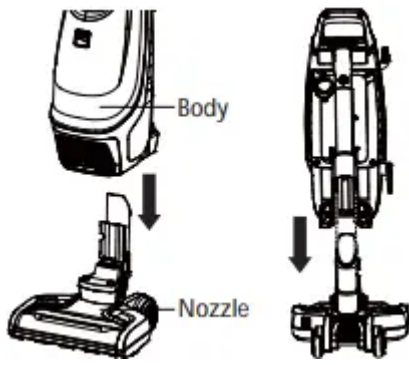
To order a replacement part, call 1-844-608-3080.



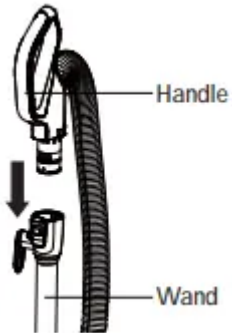
ASSEMBLY INSTRUCTIONS

Before assembling the vacuum cleaner, check the PACKING LIST (page 2). Use this list to verify that you have received all the components of your new Kenmore Intuition® Bagged Upright Vacuum Cleaner.

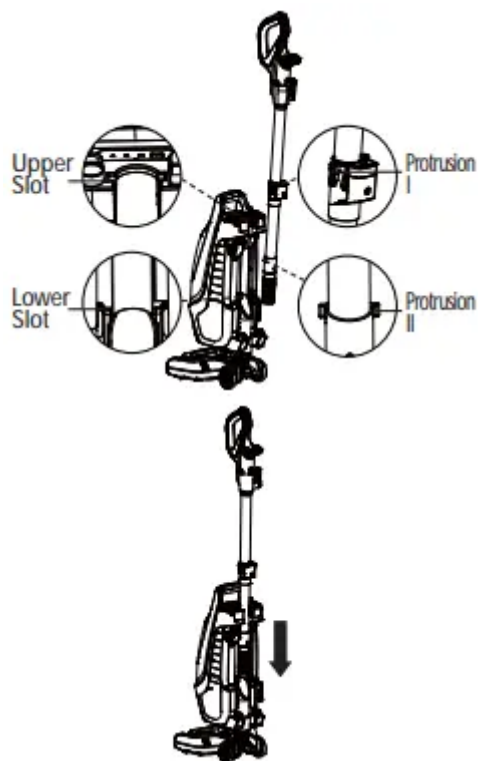
1. To place the body onto the nozzle, carry the body over the nozzle and align the nozzle neck with the guides in the body and slowly drop into place until a 'click' is heard.



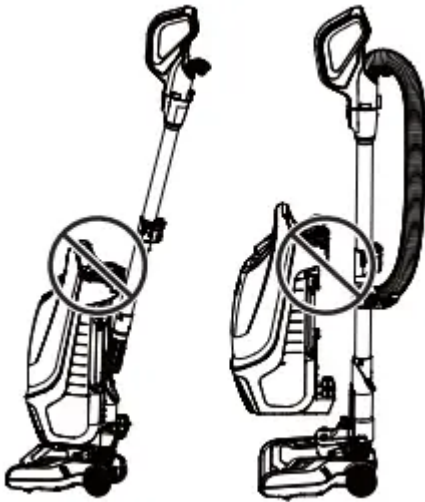
2. Insert the handle into wand until you hear a 'click'.



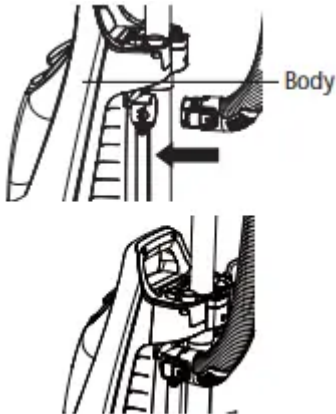
3. Locate the wand parallel with the body; make sure the protrusion is under upper slot as shown. Then push the wand to fit the body and then insert downward into the nozzle neck. Make sure the protrusion I is locked into upper slot and protrusion II into lower slot. A 'click' can be heard once you finish the wand assembly.



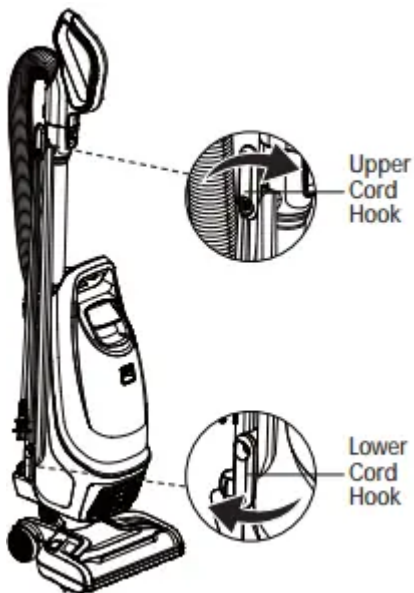
NOTE: DO NOT tilt the wand to insert it into the nozzle neck. DO NOT insert the wand before placing the body onto the nozzle.



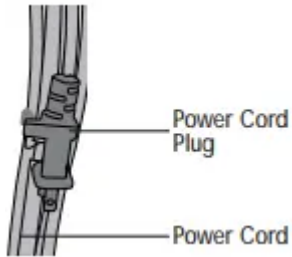
4. Insert the hose into body until you hear a 'click'.



5. Make sure the upper and lower cord hooks are in the proper position as shown. Wrap the power cord loosely around the upper and lower cord hooks



6. Lock power cord plug onto the power cord



OPERATING INSTRUCTIONS

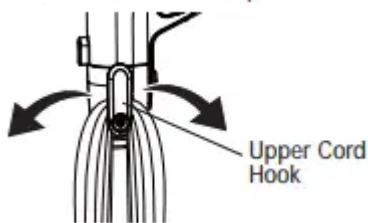
CAUTION

Moving parts! To reduce the risk of personal injury, DO NOT touch the brushroll when vacuum is on. Contacting the brushroll while it is rotating can cut, bruise or cause other injuries. Always turn off after operation. Use caution when operating near children or pets.



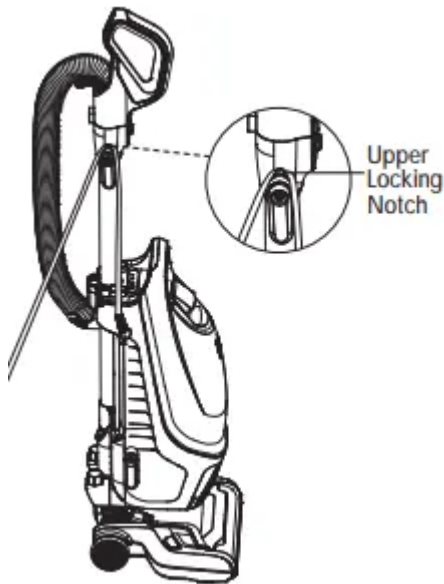
POWER CORD – RELEASE & USE

1. Turn the upper cord hook to either side and down to release the power cord



2. Detach the power cord plug from the power cord.

3. Be sure the power cord is locked into the upper locking notch as shown. This will help manage the power cord when operating the vacuum cleaner.



4. Plug the power cord plug into an outlet located near the floor
5. Press the On/Off button to turn the vacuum cleaner on.
6. Once you have completed vacuuming, press the On/Off button; unplug the power cord plug from the outlet.
7. To restore power cord after use, turn upper cord hook to the upright position. Then wrap cord loosely around cord hooks.

OPERATION MODES

UPRIGHT MODE

NOTE: Make sure the vacuum cleaner is completely assembled. Do not operate vacuum cleaner without dust bag in place.

1. Release the handle by placing foot on the nozzle and pull back to change handle position.



2. Turn on the vacuum cleaner by pressing the On/Off button for cleaning bare floor.



NOTE: Your vacuum cleaner has two cleaning modes: one dedicated for bare floor and one for carpets. The vacuum turns on in carpet cleaning mode, which means the brushroll is spinning. To switch to bare floor mode, simply press the Brushroll On/Off button to turn the brushroll off. We do not recommend vacuuming with the brushroll on when cleaning bare floors as this may damage your floor.

3. Press the Brushroll On/Off button for cleaning carpets.

4. Once the vacuum is on, operate the vacuum cleaner by tilting the wand back towards you and the nozzle is flush with floor surface.



CAUTION

Do not allow the vacuum cleaner to remain in one spot for any length of time when the brushroll is turning. Damage to carpet may occur.

5. Once you have completed vacuuming, press the On/Off button again and unplug the power cord from the power outlet.

NOTE: If the brushroll is turned on, first press the Brushroll On/Off button to stop the brushroll, and then press the On/Off button to turn off the vacuum.

BAG FILL LEVEL INDICATOR

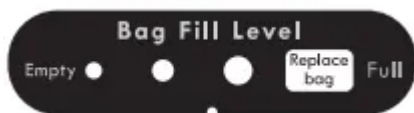
As the dust bag fills with dirt and debris, an indicator near the wand can be used to estimate the level of bag fill. Once all LEDs are illuminated red, the bag should be replaced. See page 18-19 for the dust bag replacement instructions.

Bag Fill Level Indicator	Bag Fill Level
One LED light (furthest left), green continuous	Lights progressively illuminate to show the bag is filling. Replace the bag when all LED lights begin to illuminate red continuously.
Two LED lights, orange continuous	
Three LED lights, orange continuous	
Four LED lights, red continuous	

CAUTION

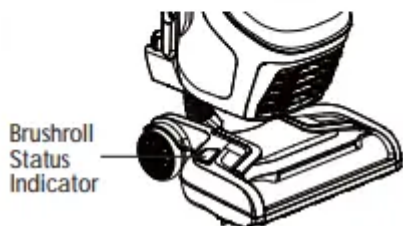
Make sure the dust bag is replaced when all LED lights begin to illuminate red continuously. If not, the LED lights will flash red. If the red flashing remains after replacing the dust bag, check and clean the air path as it is blocked.





BRUSHROLL STATUS INDICATOR

Brushroll Status Indicator	Status
Green LED Lights	The brushroll is spinning and working as it should.
Red LED Lights	There is a jam in the brushroll area. Turn off and unplug the vacuum, and remove any blockages in the nozzle.
No LED Lights	The brushroll is off.

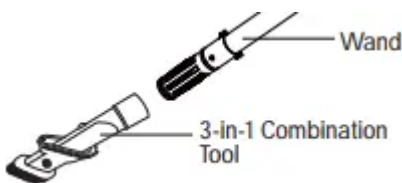


ABOVE FLOOR MODE

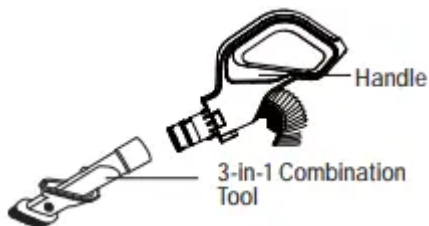
1. Place the vacuum cleaner in the upright locked position.
2. Press the wand release button and lift up the wand for above floor cleaning.



3. Choose the desired attachments and insert it into the wand.



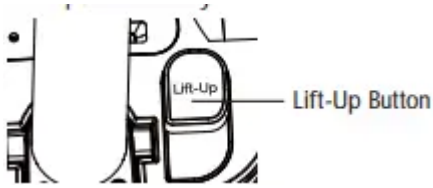
4. Turn on the vacuum cleaner by pressing the On/Off Button.
5. Once you have completed vacuuming, press the On/Off button again and unplug the power cord from the power outlet.



LIFT UP MODE



1. Place the vacuum cleaner in the upright locked position.
2. Press lift-up button and lift up the body for portable carry.



3. Press the wand release button and lift up the wand for cleaning stairs or other hard to reach places.

NOTE: Make sure the power cord is released from the cord hooks before lifting up the wand.

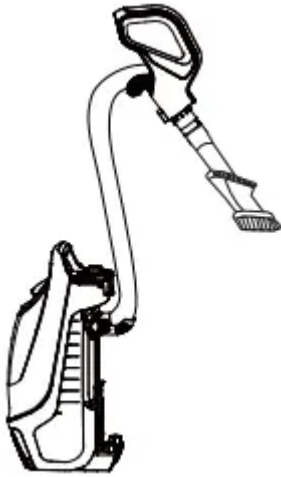


4. Choose the desired attachments and insert it into the wand.



5. Turn on the vacuum cleaner by pressing the On/Off Button.
6. Once you have completed vacuuming, press the On/Off button again and unplug the power cord from the power outlet.

NOTE: The attachments also can insert directly into the handle.



CAUTION

When using attachments, be careful not to over extend the stretch hose when reaching. Trying to reach beyond the hose stretch capability could cause the vacuum cleaner to tip over.

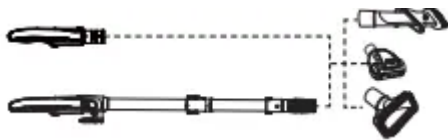
CAUTION

DO NOT pull the vacuum cleaner around the room by the hose. Property damage or personal injury could result.

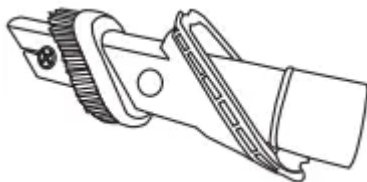
ATTACHMENTS

3-IN-1 COMBINATION TOOL

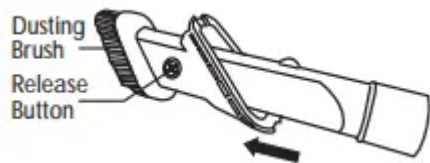
The 3-in-1 combination tool can be attached to the end of the wand and the handle. Slide the collar of the tool over the open end of the wand or handle.



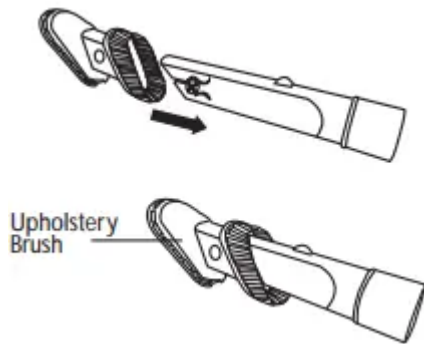
Use the 3-in-1 combination tool in crevice tool mode for cleaning in tight spaces such as furniture, between cushions, and stairs.



Set the combination tool in dusting brush mode by pressing the release button and sliding the dusting brush side of the brush tool to the end of the combination tool. Use in dusting brush mode for cleaning loose surfaces such as drapes.



Press the release button to remove the brush tool. Set the combination tool in upholstery brush mode as shown. Use in upholstery brush mode for cleaning fabric surfaces such as fabric sofa.



To return the combination tool to crevice tool mode, press the release button and slide the brush tool down the combination tool.

DUSTING BRUSH

The dusting brush can be attached to the end of the handle and the wand. Slide the collar of the brush into the open end of the hose or wand.

Use the dusting brush for cleaning loose surfaces such as drapes and furniture.



PET HANDIMATE®

The Pet HandiMate® can be attached to the end of the handle and the wand.

Pet HandiMate® pivots for more convenient cleaning.

Use Pet HandiMate® for cleaning fabric surfaces such as furniture and carpet.



ATTACHMENT USE TABLE

ATTACHMENT	CLEANING AREA						✓ = Applicable
	Furniture*	Between Cushions*	Drapes*	Stairs		Baseboards	
				Carpet	Bare		
CREVICE TOOL 	✓	✓		✓	✓	✓	
DUSTING BRUSH 	✓		✓	✓	✓	✓	
UPHOLSTERY BRUSH 	✓		✓				
DUSTING BRUSH 	✓		✓				
PET HANDIMATE® 	✓			✓			

PERFORMANCE/SAFETY FEATURES

THERMAL PROTECTOR

This vacuum cleaner has a thermal protector which automatically trips to protect the vacuum cleaner suction motor. If a clog prevents the normal flow of air to the motor, the thermal protector turns the motor off automatically. This allows the motor to cool in order to prevent possible damage to the vacuum cleaner.

To reset thermal protector: Turn the vacuum cleaner off and unplug the power cord from the outlet to allow the vacuum cleaner to cool and the thermal protectors to reset.

Check for and remove clogs, and replace dust bag if necessary. Also check and clean any clogged filters. Wait approximately 50 minutes before restarting vacuum cleaner.

BY-PASS VALVE

This vacuum cleaner has a By-Pass Valve which prevents motor overheating and damage. The valve opens to provide cooling air when a clog prevents normal air flow to the vacuum cleaner suction motor. You will notice a change of sound as air rushes through the valve opening.

To correct the problem: remove any clogs, check and replace filters if needed, check and install new dust bag if needed.

NOTE: The By-Pass Valve may open when using attachments or when cleaning new carpet due to reduced airflow or air path is blocked, caused by the attachments themselves or by new carpet lint filling the dust bag quickly.

BRUSHROLL RESET

The brushroll has built-in protection against motor damage should the brushroll jam. If the brushroll slows down or stops, the brushroll overload protector shuts off the brushroll motor and the brushroll status indicator emits red light. The vacuum cleaner suction motor will continue to run.



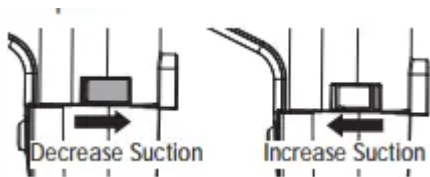
To solve the problem: Turn off and unplug vacuum cleaner, remove obstruction, then turn on the vacuum cleaner.

NOTE: Once the brushroll motor shuts down, clear jam from brushroll and then restart the vacuum cleaner. If the problem persists, contact the vacuum cleaner help line for assistance.

SUCTION CONTROL

To assist with push/pull force of the vacuum on surfaces like thick carpet, the suction control valve can be opened to help reduce suction. Note that for best cleaning results, the suction control valve must be fully closed.

- Slide to right to open the suction control and decrease suction. Opening control decreases suction for draperies and lightweight rugs.
- Slide to left to close the suction control and increase suction. Closing control increases suction for upholstery and carpets.



VACUUM MAINTENANCE AND CARE

Always follow all safety precautions when performing maintenance to the vacuum cleaner.

WARNING

Electrical Shock and Personal Injury Hazard

Disconnect electrical supply before servicing or cleaning the vacuum cleaner. Failure to do so could result in electrical shock or personal injury from vacuum cleaner suddenly starting.

CLEANING EXTERIOR AND ATTACHMENTS

1. Turn off and unplug vacuum cleaner. DO NOT drip water on vacuum cleaner.
2. To clean exterior, or to reduce static electricity and dust build-up, wipe outer surface with a clean, soft cloth that has been dipped in a solution of mild liquid detergent and water, then wrung dry. Wipe dry after cleaning.

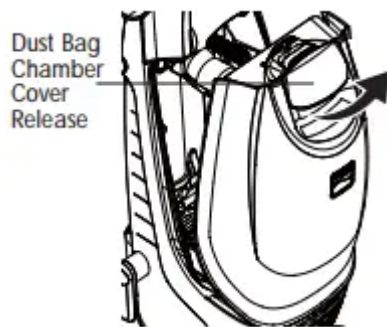
NOTE: Wash attachments in warm soapy water, rinse and air dry. Do not clean in dishwasher.

VACUUM CLEANER STORAGE

1. Place the flexible hose and attachments in storage position if necessary
2. Gather the cord and wrap it loosely around the upper and lower cord hooks. Lock plug retainer onto the power cord.
3. Store the vacuum cleaner in a dry, indoor area, on the floor with the handle locked in the upright position.

DUST BAG REPLACEMENT

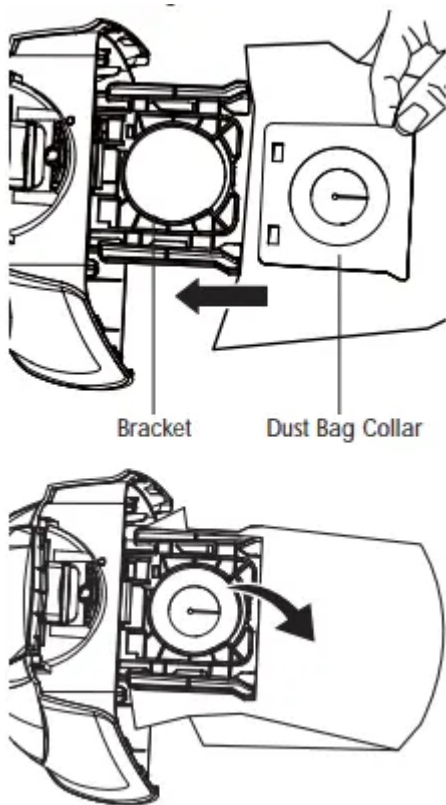
1. Pull bag chamber cover release handle out and up, hold the cover using the handle.



2. Tilt the bag chamber as shown. Press Dust Bag Release button and the dust bag drops down automatically.

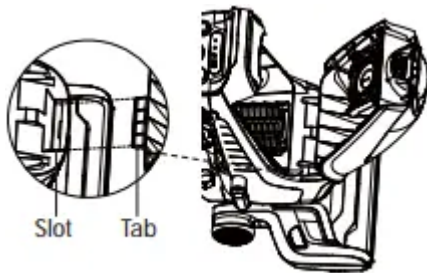


3. To install a new dust bag, insert the dust bag collar into bracket until you hear a 'click', and then rotate bracket down until another 'click' can be heard. Tuck the bag into the dust bag chamber. Be sure all sides of the dust bag are flat within the bag chamber.



4. Place the tab on the dust bag chamber cover in the slot on the vacuum cleaner. Push the dust bag chamber cover into place until a 'click' is heard.

NOTE: Make sure the dust bag is locked into place before pushing the dust bag chamber cover. The dust bag chamber cover can't be assembled successfully if dust bag is missing or not installed into place.



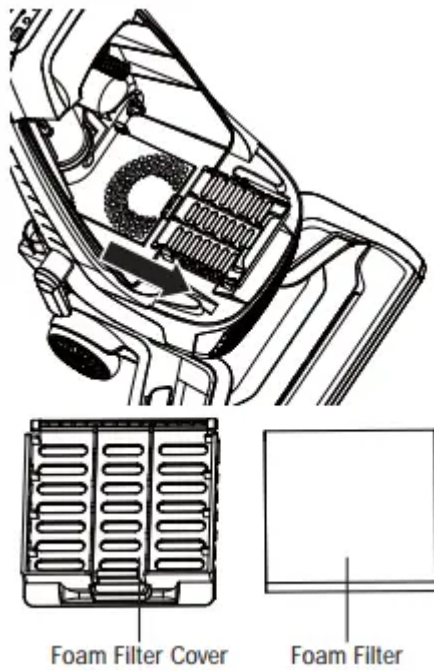
FOAM FILTER CLEANING

Clean the foam filter with cold water as needed.

NOTE: When the cleaning of filters no longer restores vacuum cleaner suction to full power, or the filters are worn or broken, replace the filters. To purchase filters, call 1-844-608-3080.

Regularly clean and replace the filters to keep the vacuum's suction power optimal.

1. Remove the dust bag as outlined in the DUST BAG REPLACEMENT section
2. Remove the foam filter cover and the foam filter.



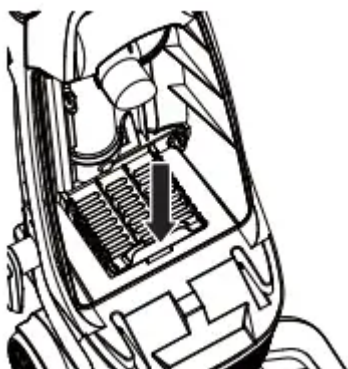
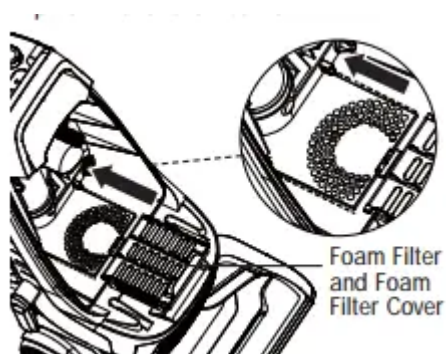
3. Wash the filter in warm soapy water, rinse and dry thoroughly by squeezing the excess water out of the filter and allowing to air dry for 24 hours.

NOTE: DO NOT operate without foam filter installed.

DO NOT wash in the dishwasher.

DO NOT install foam filter if damp.

4. Reinstall the foam filter into the foam filter cover and slide it to the slots until it is in place. Press the cover to lock it into place until a 'click' can be heard.



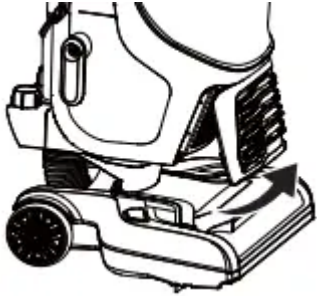
NOTE: Replace the foam filter if it is worn or broken.

5. Reinstall the dust bag as outlined in the DUST BAG REPLACEMENT section

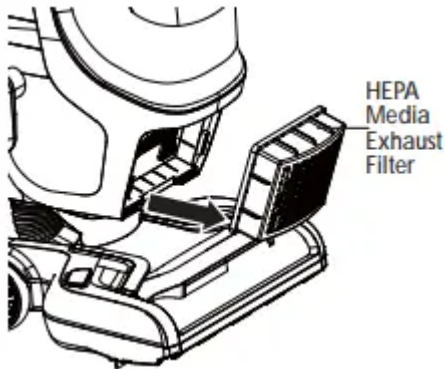
HEPA MEDIA EXHAUST FILTER CLEANING

It is recommended to clean the HEPA media exhaust filter with cold water every year

1. Remove exhaust filter cover by pulling the tab outward at the bottom of the cover.

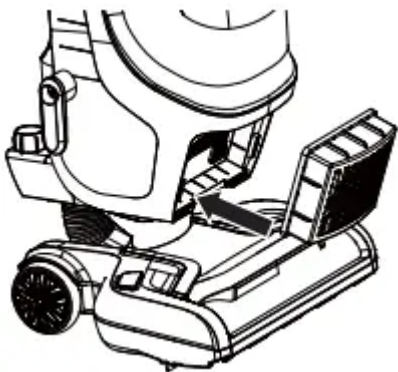


2. Remove the HEPA media exhaust filter from vacuum cleaner.

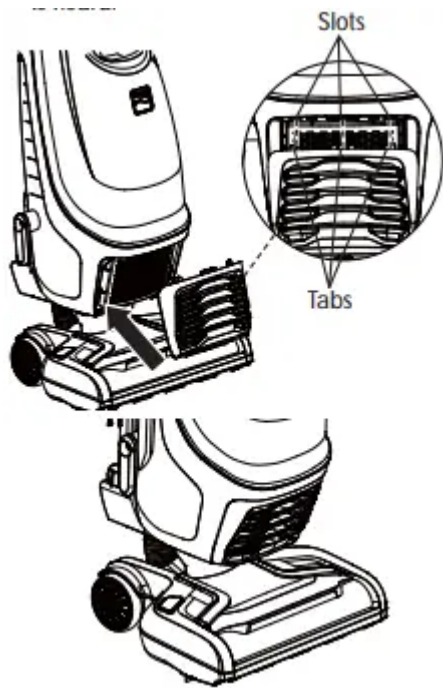


3. Wash with cold water only, DO NOT use detergent or soap. Allow to air dry. Allow parts to dry 24 hours before putting back into vacuum cleaner.

4. Reinstall the HEPA media exhaust filter into the vacuum cleaner.

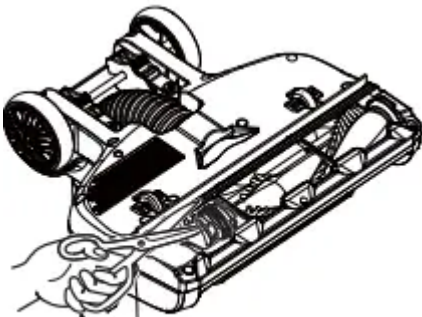


5. Insert the exhaust filter cover tabs into the upper slots and lock the exhaust filter cover into place by pressing the release tab under the cover until a click is heard.



BRUSHROLL CLEANING

To maintain efficient cleaning, the brushroll must be kept free of carpet fiber, string, or hair build-up. If the brushroll is jammed, unplug and turn vacuum cleaner over and check brushroll for fiber and hair build up. Use scissors to remove any build-up entangled around the brushroll. Cleaning the brushroll periodically is recommended for best performance.



PET HANDIMATE® CLEANING

WARNING

Always unplug the power cord from an electrical outlet before performing maintenance to the vacuum cleaner.

Cut off any carpet pile and lint entangled around brushroll with a pair of scissors.

CAUTION

To reduce the risk of injury from moving parts, remove Pet HandiMate® from vacuum hose or wand before servicing.



REMOVING CLOGS

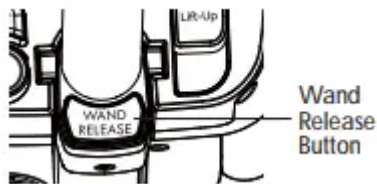
CHECKING FLEXIBLE HOSE FOR CLOGS

If there is noticeable abnormal noise when using the vacuum or the suction power suddenly drops, it is necessary to check the air path for clogs.

Frequently check air path to make sure it is free of obstructions.

NOTE: The four LED lights of bag fill level indicator flash red when the air path is blocked.

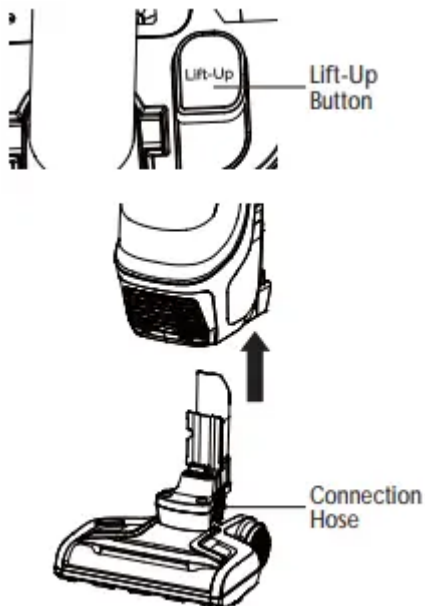
1. Release the wand from the body and make sure that attachments are removed from the wand.



2. Check and remove any clogs in the flexible hose and wand.
3. Reinstall the wand to the vacuum cleaner. See ASSEMBLY

CHECKING CONNECTION HOSE FOR CLOGS

To separate the body from the nozzle, press the Lift-Up button and lift up the body.



1. Check and remove any clogs in the connection hose.
2. Reattach the nozzle onto the vacuum body.

TROUBLESHOOTING

Review this table to find do-it-yourself solutions for minor performance problems. Any service needed, other than maintenance described in this Use & Care Guide, should be performed by a qualified service agent.

WARNING

Disconnect electrical supply before performing maintenance to the vacuum cleaner.

Failure to do so could result in electrical shock or personal injury.

Vacuum cleaner won't run.

- Unplugged at wall outlet.
 - Plug in firmly, press the On/Off button.
- The On/Off button is not pressed to start the vacuum cleaner.
 - Press the On/Off button to start the vacuum cleaner.
- Defective wall outlet.
 - Check with a good appliance or lamp. Have outlet properly serviced.
- The vacuum body is overheated.
 - Unplug the power cord and let the vacuum cool down for 50 minutes.
- The motor is damaged.
 - Call 1-844-608-3080 for assistance.

Poor job of dirt pick-up.

- The hose and attachments are not installed correctly.
 - Check the hose and attachments for correct installation and ensure they are snapped firmly in place.
- Dust bag is not installed correctly.
 - Check dust bag for correct installation and ensure it is snapped firmly in place.
- Full or clogged dust bag.
 - Change the dust bag

- There is a clog in the air path.
 - Check and remove all clogs.
- Suction control is in open position.
 - Adjust the suction control to increase suction.
- The foam filter or HEPA media exhaust filter needs to be cleaned or replaced.
 - Clean or replace the foam filter or HEPA media exhaust filter. Follow the foam filter cleaning or HEPA media exhaust filter cleaning instructions on page 19-20 or 20-21.
- The hose is worn.
 - Replace the hose assembly. To purchase parts, call 1-844-608-3080.
- The brushroll is worn.
 - Call 1-844-608-3080 for assistance.
- The belt is worn or broken.
 - Call 1-844-608-3080 for assistance.

Dust escapes from vacuum.

- Dust bag or dust bag chamber cover is not installed correctly.
 - Check the dust bag or dust bag chamber cover for correct installation and ensure they are snapped firmly in place.
- HEPA media exhaust filter is installed incorrectly.
 - Check exhaust filter for correct installation.
- The dust bag is worn or broken.
 - Check and replace the dust bag.
- Foam filter or HEPA media exhaust filter is worn or broken.
 - Check and replace the foam filter or the HEPA media exhaust filter.

Brushroll does not turn.

- Handle is in fully upright position.
 - Move handle from the fully upright position.
- Brushroll On/Off button is not pressed to start the brushroll.
 - Press the Brushroll On/Off button to start the brushroll.

- Brushroll is jammed.
 - Remove obstruction.
- Brushroll is not installed correctly.
 - Call 1-844-608-3080 for assistance.
- The belt is not routed correctly.
 - Call 1-844-608-3080 for assistance.
- Fault in PCB section of the motorized nozzle.
 - Call 1-844-608-3080 for assistance.

Sound changes.

- Exhaust filter cover is installed incorrectly.
 - Position exhaust filter cover correctly and snap firmly into place.
- Air path is blocked.
 - Check for and remove any clogs and clean the air path.
- Attachments use restricts air flow.
 - Check attachments for fuzz, lint, pet hair or other debris.

Vacuum turns off on its own.

- The power cord plug is loose from the outlet when using the vacuum.
 - Reinsert the power cord plug fully into the outlet. Avoid pulling or dragging the power cord when using the vacuum.
- Thermal protector is activated.
 - Turn the vacuum cleaner off and unplug it. Check the air path and dust bag. Allow the vacuum cleaner to cool for a minimum of 50 minutes. Plug in vacuum and turn it on.
- The motor is damaged.
 - Call 1-844-608-3080 for assistance.

Brushroll status indicator light emits red.

- There is a jam in the brushroll area.
 - Turn off and unplug the vacuum. Remove any blockages in the brushroll.
- The brushroll is worn or broken.
 - Call 1-844-608-3080 for assistance.



Dust bag chamber cover can't be installed.

- Dust bag is missing or not installed into place.
 - Position dust bag correctly and snap firmly into place.

Warning

This content is compiled from multiple sources and is provided for reference purposes only. It may not be complete or fully applicable to all situations. If you are unable to resolve your issue, please contact the product manufacturer or an authorized service provider for official support.