

USER MANUAL PUSH BUTTON DOOR CONTROL

For use with Security+ 2.0® Garage Door Openers. All Security+ 2.0® Garage Door Openers have a yellow Learn button and a yellow antenna wire.

WARNING

To prevent possible **SERIOUS INJURY** or **DEATH** from electrocution:

- Be sure power is **NOT** connected **BEFORE** installing door control.
- Connect **ONLY** to 12 VOLT low voltage wires.
- To prevent possible **SERIOUS INJURY** or **DEATH** from a closing garage door:
 - Install door control within sight of garage door, out of reach of small children at a minimum height of 5 feet (1.5 m) above floors, landings, steps or any other adjacent walking surface, and away from **ALL** moving parts of door.
 - **NEVER** permit children to operate or play with door control push buttons or remote control transmitters.
 - Activate door **ONLY** when it can be seen clearly, is properly adjusted, and there are no obstructions to door travel.
 - **ALWAYS** keep garage door in sight until completely closed. **NEVER** permit anyone to cross path of closing garage door.

NOTICE: This device complies with part 15 of the FCC rules and Industry Canada's licenceexempt RSSs. Operation is subject to the following two conditions: (1) this device may not cause harmful interference, and (2) this device must accept any interference received, including interference that may cause undesired operation. Any changes or modifications not expressly approved by the party responsible for compliance could void the user's authority to operate the equipment.

This device has been tested and found to comply with the limits for a Class B digital device, pursuant to part 15 of the FCC rules and Industry Canada ICES standard. These limits are designed to provide reasonable protection against harmful interference in a residential installation. This equipment generates, uses and can radiate radio frequency energy and, if not installed and used in accordance with the instructions, may cause harmful interference to radio communications.

However, there is no guarantee that interference will not occur in a particular installation.

If this equipment does cause harmful interference to radio or television reception, which can be determined by turning the equipment off and on, the user is encouraged to try to correct the interference by one or more of the following measures:

- Reorient or relocate the receiving antenna.
- Increase the separation between the equipment and receiver.
- Connect the equipment into an outlet on a circuit different from that to which the receiver is connected.

- Consult the dealer or an experienced radio/TV technician for help.

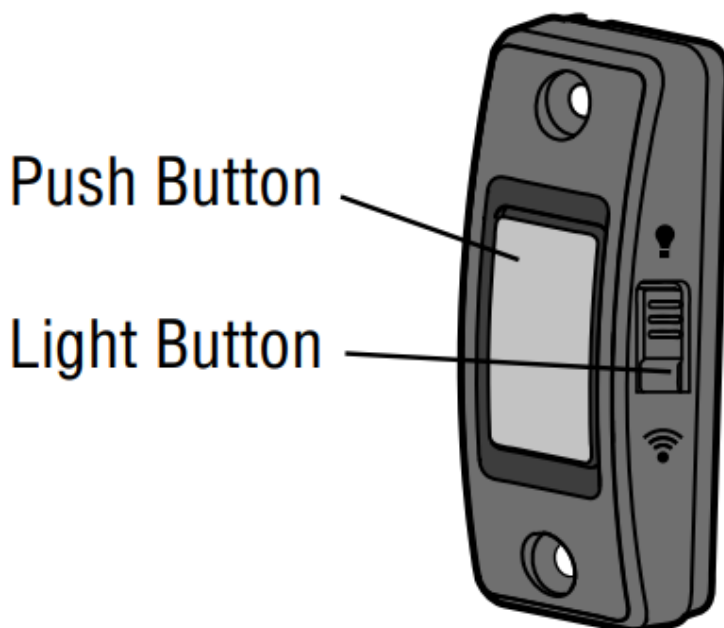
CAN ICES-3 (B)/NMB-3 (B)

WARNING: This product can expose you to chemicals including lead, which are known to the State of California to cause cancer or birth defects or other reproductive harm.

Connect Your Garage Door Opener to Your Home Wi-Fi® Network (for Wi-Fi garage door openers ONLY)

1. Press and hold the light button (located on the right side of the door control button) for 6 seconds until the LED under the front button begins to blink. You have 20 minutes to complete the connection process.
2. On your mobile device, go to Settings > Wi-Fi and select the network with the “MyQ-” prefix.
3. Launch the web browser on your smartphone or tablet. Enter setup.myqdevice.com into the browser address bar. Follow the on screen prompts to connect the garage door opener to your Wi-Fi network. The MyQ serial number will display on screen. Write the serial number in the space below.

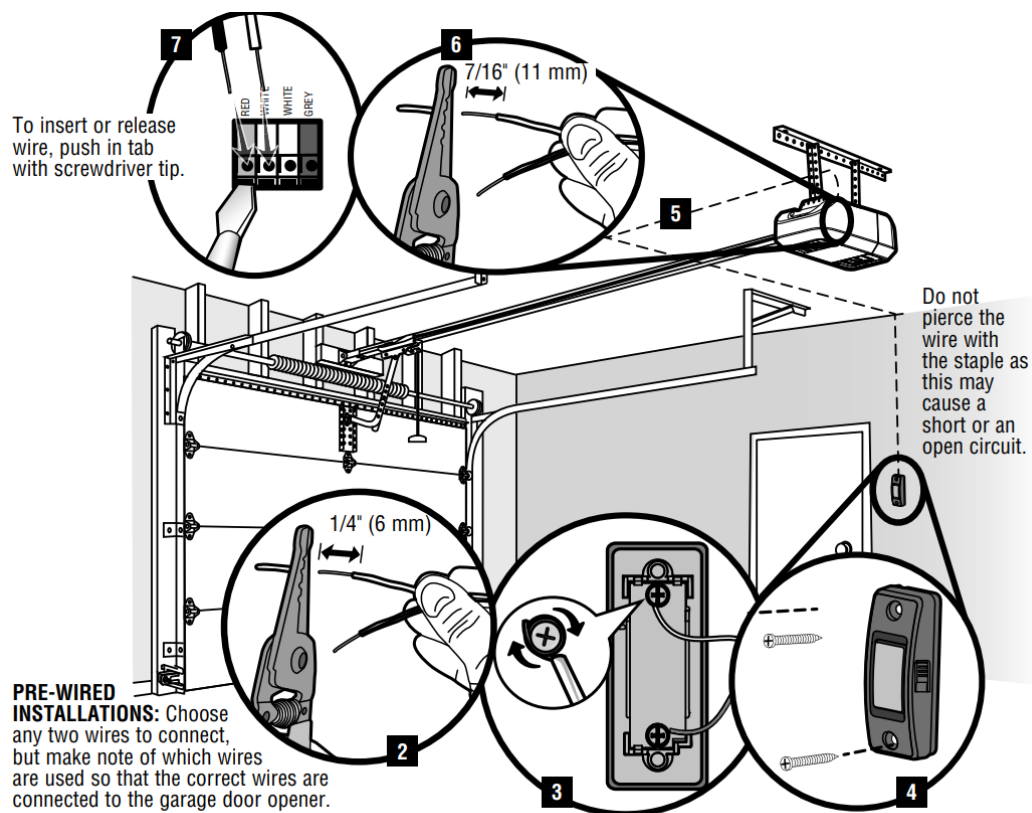
4. Download the MyQ app from the App Store® or Google Play™ store. Sign up for your MyQ account and add the MyQ serial number to your account. To add a second Wi-Fi garage door opener, repeat steps 1-3. Add the second MyQ serial number to your account in the MyQ app.



Push Button Door Control 883LMW

Installation

1. Unplug the garage door opener.
2. Strip 1/4" (6 mm) of insulation from one end of the wire and separate the wires.
3. Connect one wire to each of the two screws on the back of the door control. The wires can be connected to either screw.
4. Mount the door control with the hardware provided.
5. Run the white and red/white wire from the door control to the garage door opener. Attach the wire to the wall and ceiling with the staples (if applicable).
6. Strip 7/16" (11 mm) of insulation from the other end of the wire near the garage door opener.
7. Connect the wire to the red and white terminals on the garage door opener.
8. Reconnect power to the garage door opener. The LED behind the Push button on the door control will blink if installed correctly.
9. To synchronize the door control to the garage door opener, press the push button until the garage door opener activates (it may take up to 3 presses). Test the door control by pressing the push button, each press of the push button will activate the garage door opener.



To insert or release wire, push in tab with screwdriver tip.

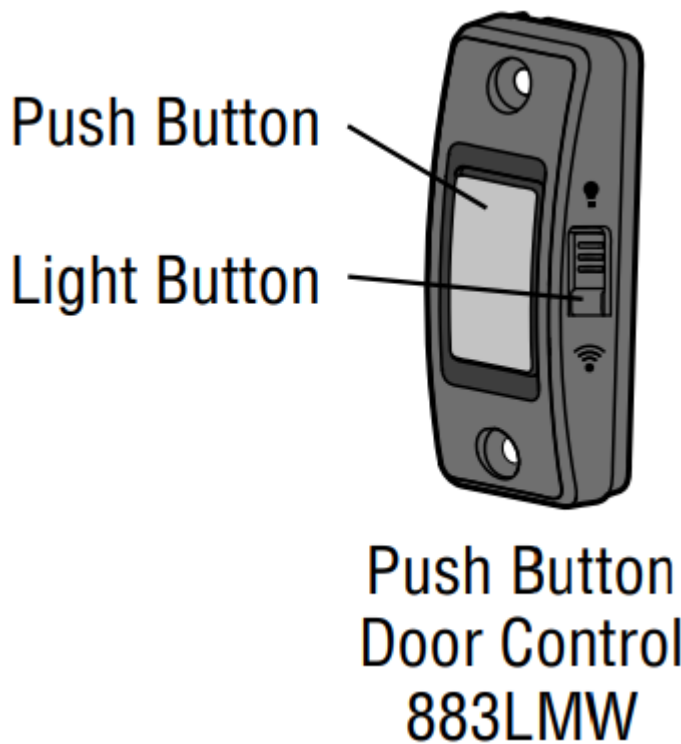
PRE-WIRED INSTALLATIONS: Choose any two wires to connect, but make note of which wires are used so that the correct wires are connected to the garage door opener.

Do not pierce the wire with the staple as this may cause a short or an open circuit.

Programming

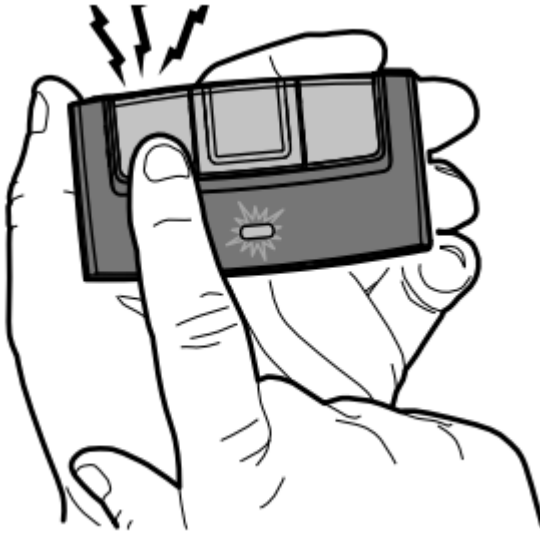
TO ADD, REPROGRAM, OR CHANGE A REMOTE CONTROL/KEYLESS ENTRY PIN USING THE DOOR CONTROL

- 1** Press and hold the Light button and the Push button until the Push button LED begins to blink.



- 2a** Press the button on the remote control that you wish to operate your garage door.

UNIVERSITY



OR

2b

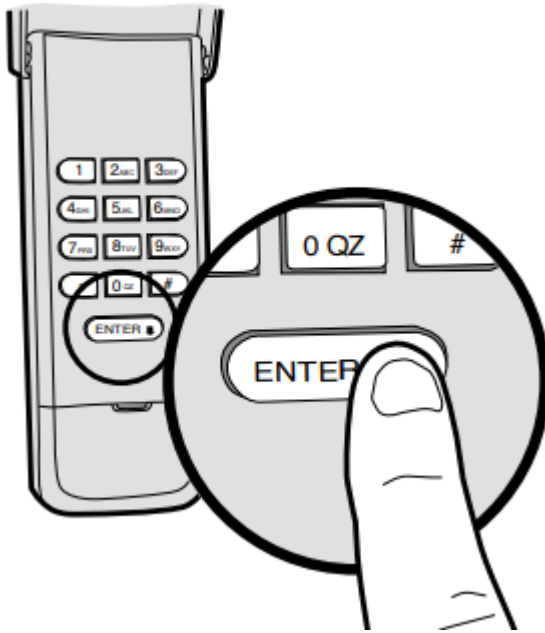
Enter a 4-digit personal identification number (PIN) of your choice on the keyless entry keypad. Then press the ENTER button.

 ? ? ? ?

 — — — —

 PIN

The garage door opener lights will flash (or two clicks will be heard) when the code has been programmed.



Warning

This content is compiled from multiple sources and is provided for reference purposes only. It may not be complete or fully applicable to all situations. If you are unable to resolve your issue, please contact the product manufacturer or an authorized service provider for official support.