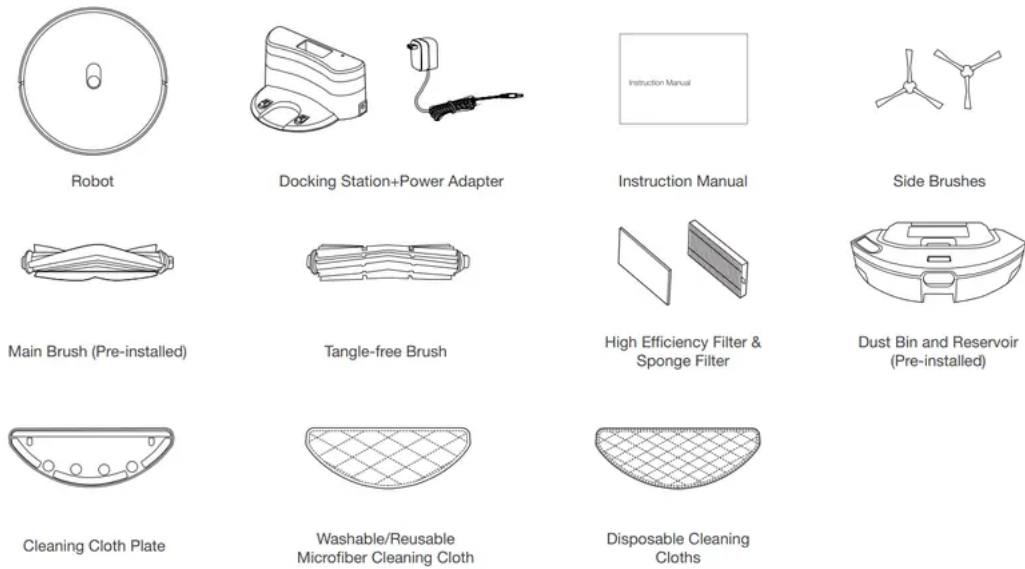


Package Contents

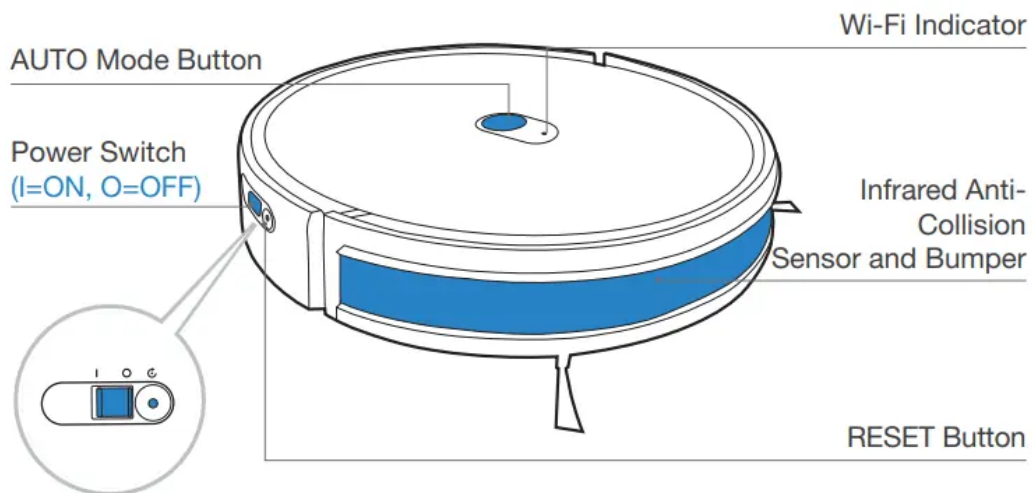
Package Contents



Note: Figures and illustrations are for reference only and may differ from actual product appearance. Product design and specifications are subject to changes without notice.

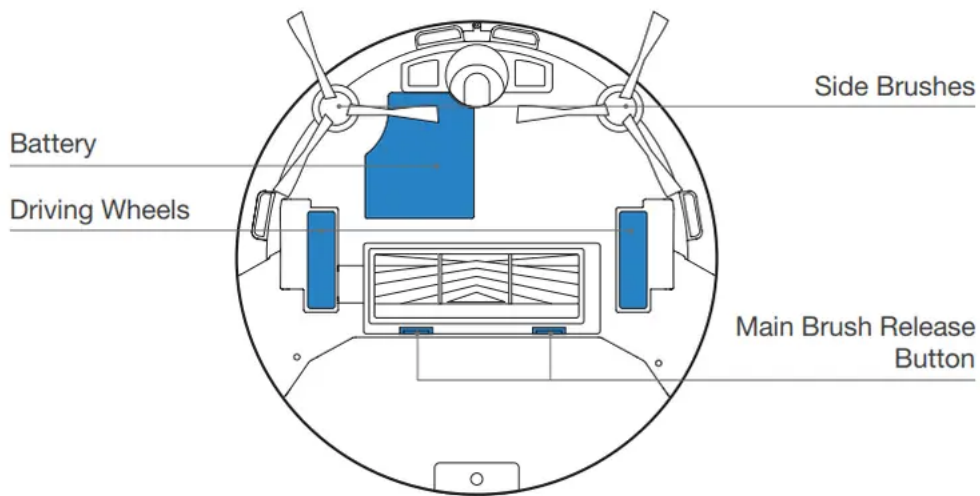
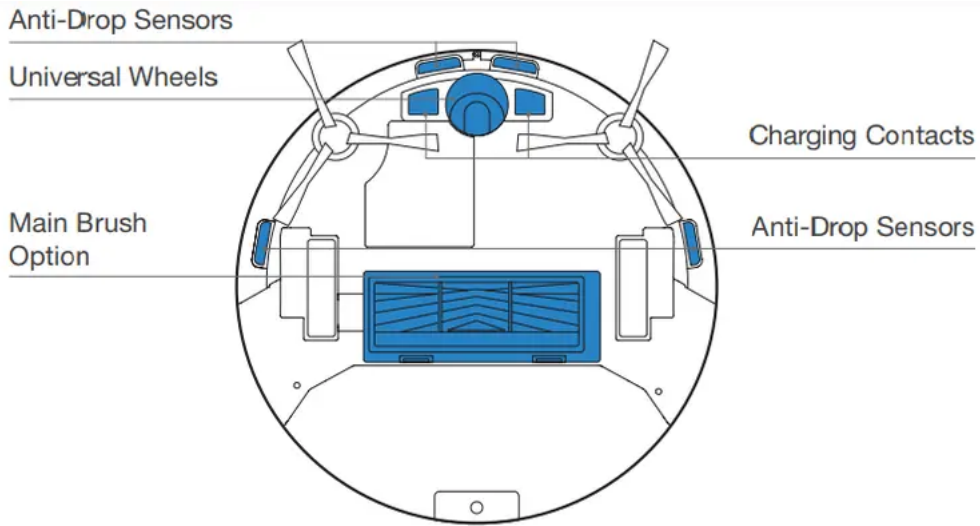
Product Diagram

Robot

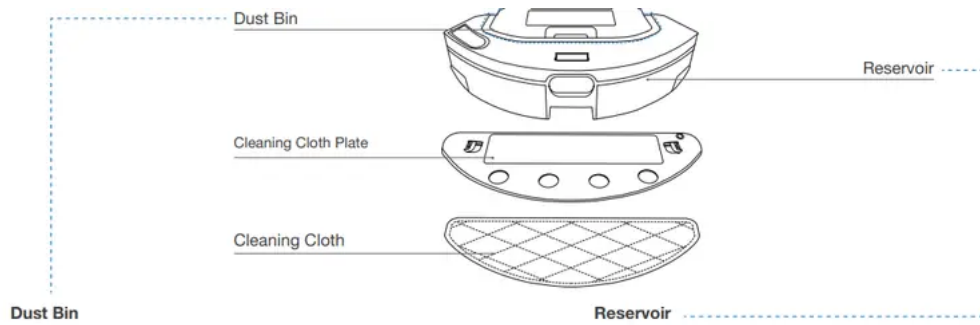


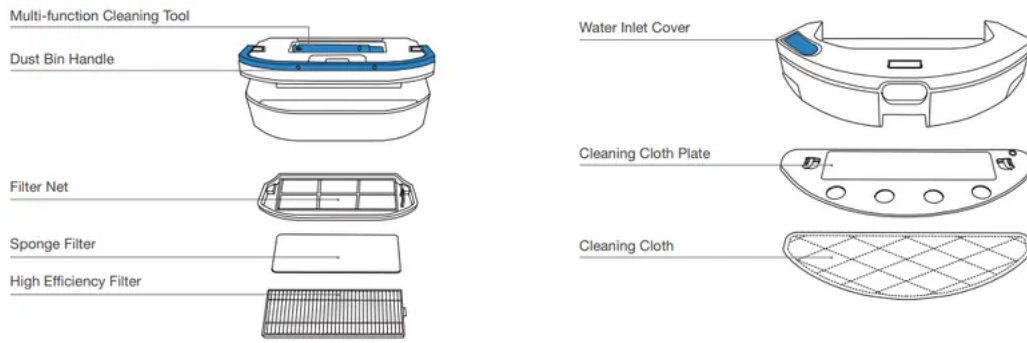
Bottom



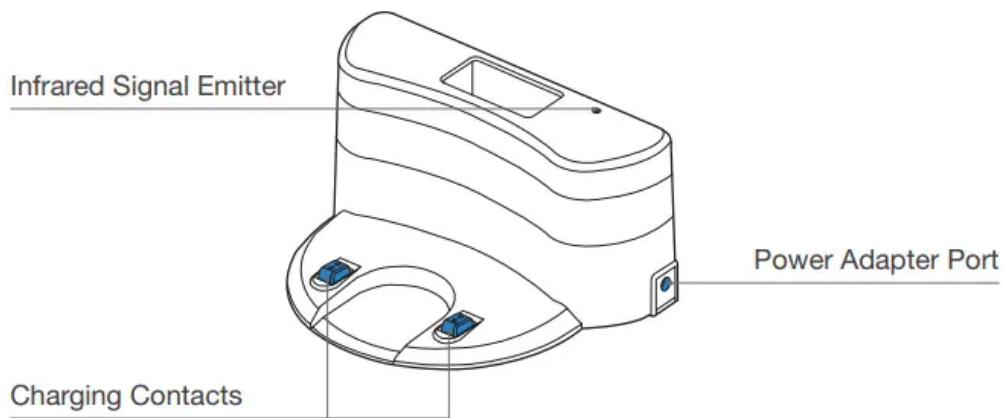


Dust Bin and Reservoir (Pre-installed)





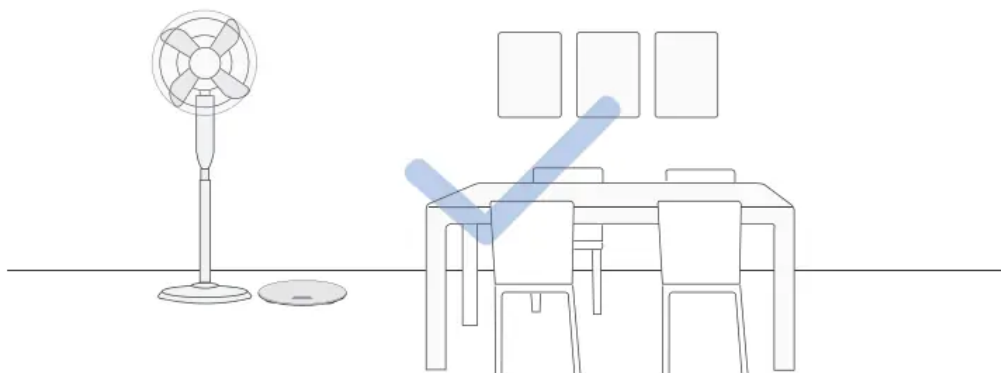
Docking Station



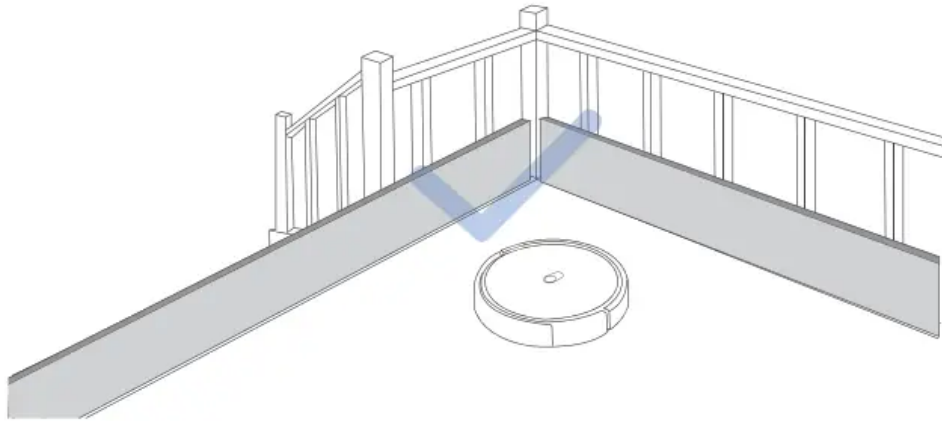
Operating and Programming

Notes Before Cleaning

Tidy up the area to be cleaned by putting furniture, such as chairs, in their proper place



It may be necessary to place a physical barrier at the edge of a drop to stop the unit from falling over the edge.



Put away objects including wires, cloths and slippers, etc. on the floor to improve the cleaning efficiency.



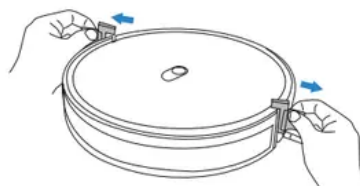
Before using the product on a rug with tasseled edges, please fold the rug edges under.



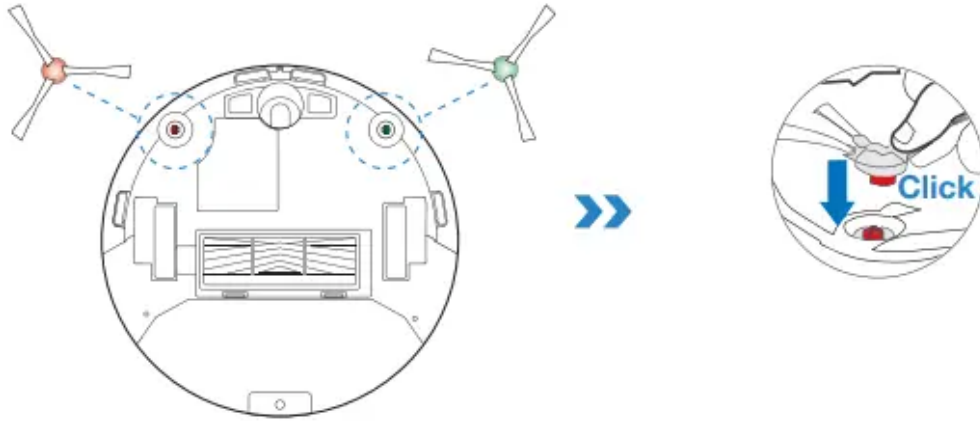
Please do not stand in narrow spaces, such as hallways, and make sure not to block Robot

Quick Start

1. Remove Protective Materials

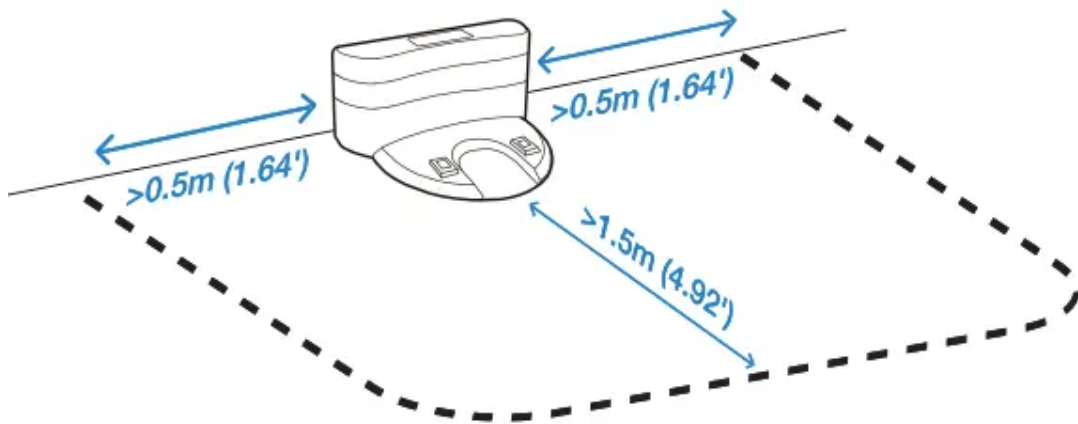
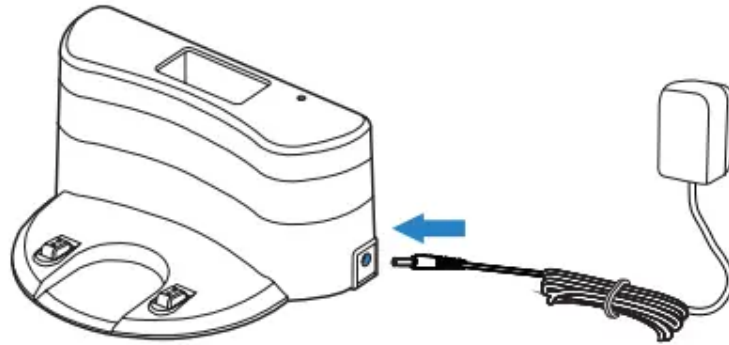


2. Install Side Brushes

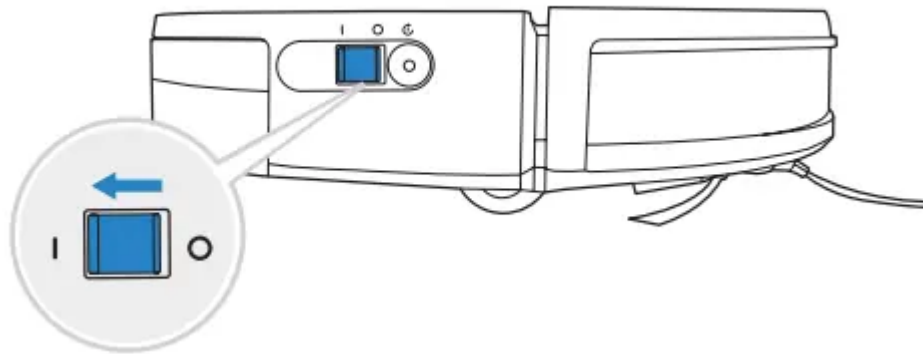


Charging Robot


1. Docking Station Placement



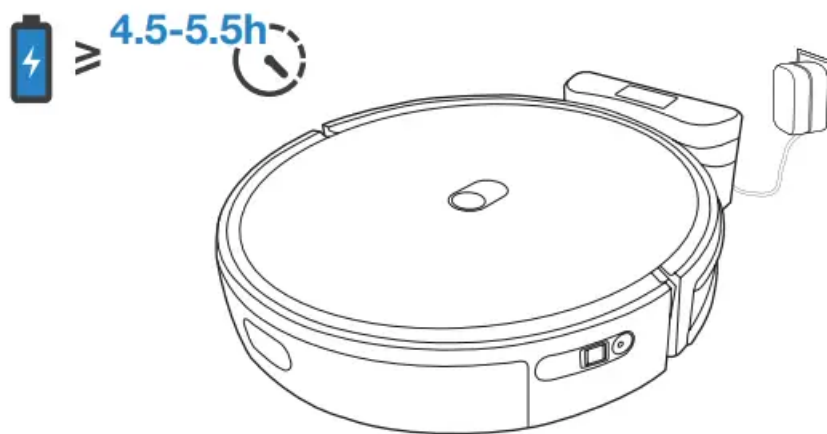
2. Power ON



Note: I = ON, O = OFF

 Robot cannot be charged when being powered OFF.

3. Charge Robot



- Empty the reservoir and remove the Cleaning Cloth Plate before charging Robot.
- It is suggested to avoid picking up or moving Robot during the cleaning for Robot to return to charge successfully

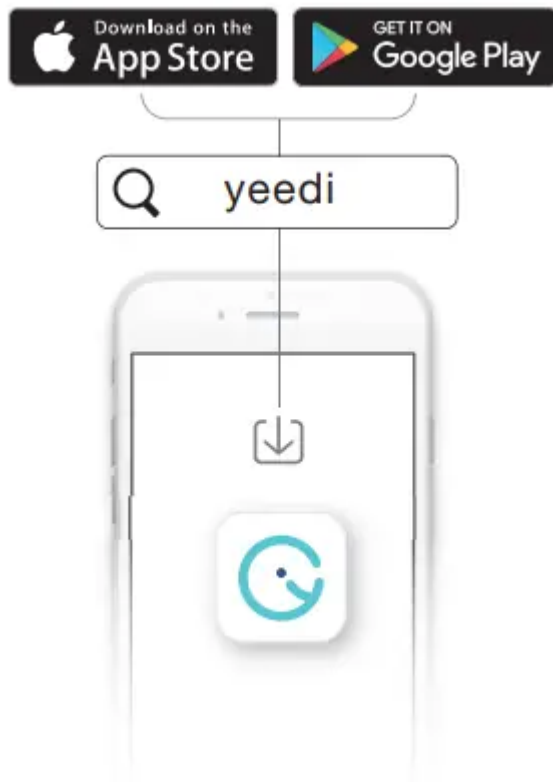
Yeedi App

To enjoy all available features, it is recommended to control your Robot via the Yeedi App.

Before you start, make sure that:

- Your mobile phone is connected to a Wi-Fi network.
- The 2.4GHz band wireless signal is enabled on your router.

- The Wi-Fi indicator light on Robot is slowly flashing.



Wi-Fi Indicator Light

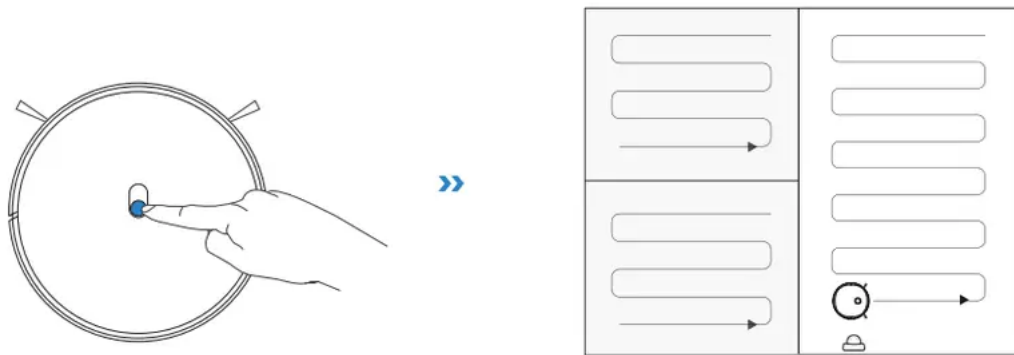
	Slowly flashing	Disconnected to Wi-Fi or waiting for Wi-Fi connection
	Rapidly flashing	Connecting to Wi-Fi
	Solid	Connected to Wi-Fi

Tips: If you have any problems during the Wi-Fi setup process, refer to the Troubleshooting > Wi-Fi Connection section in this manual.

Operating Robot

During the first cleaning, please supervise Robot and assist it should there be a problem.

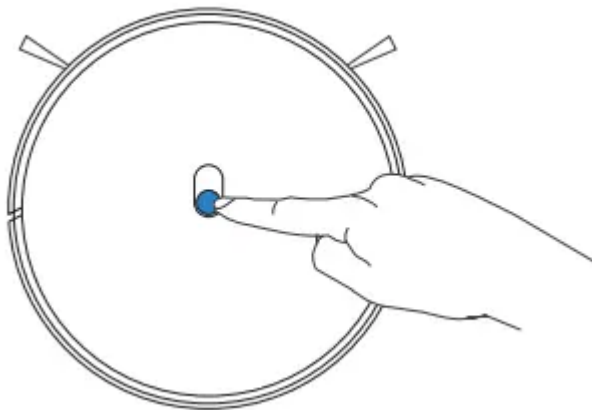
1.Start



2. Start/Pause

The robot's Control Panel stops glowing after the robot is paused for a few minutes. Press the AUTO Mode Button on Robot to wake up the robot.

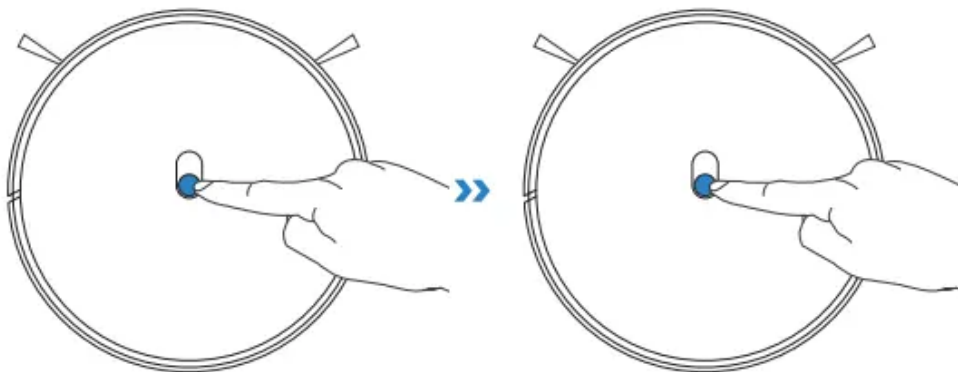
Pause



Wake Up- Start

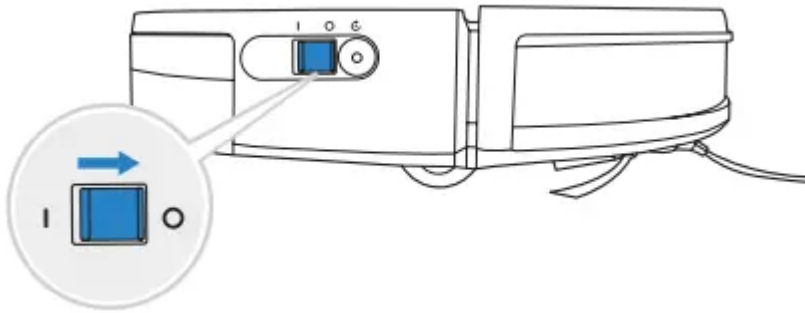
Wake Up

Start



If the pause duration is shorter than 10 minutes, Robot will return to finish the cleaning where it left off.

3. Power OFF



- If Robot will not be used for a while, fully charge Robot and power OFF before storage. Charge Robot every 1.5 month to prevent battery drain.
- When Robot is not cleaning, it is recommended to keep Robot powered ON and charging.

Dust Bin & Reservoir

Note:

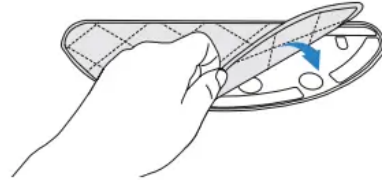
1. To prolong the service life of the reservoir, it is recommended to use purified water or softened water.
2. Please avoid using the mopping system on the carpet.

Add Water

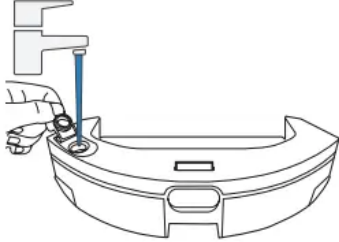
1



4



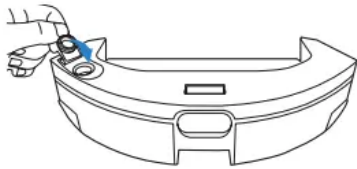
2



5



3



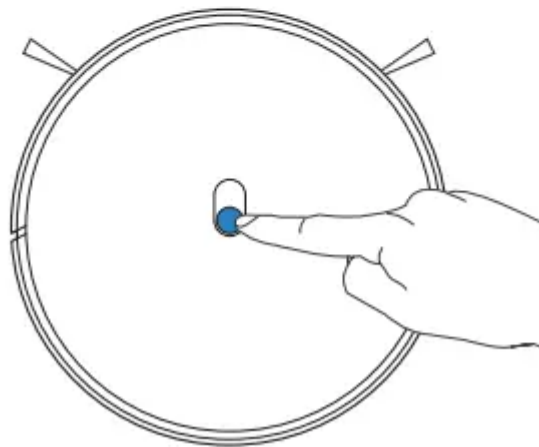
Install Dust Bin & Reservoir



1



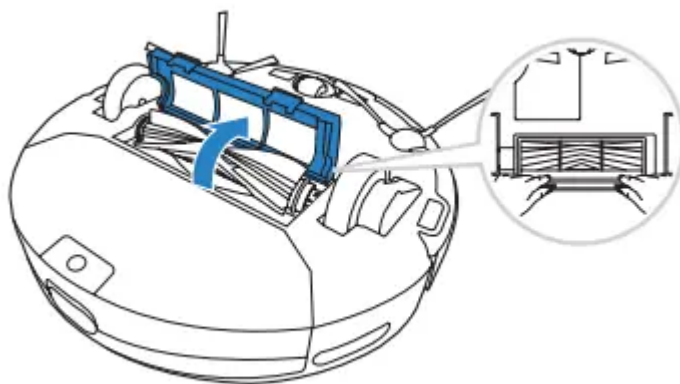
2



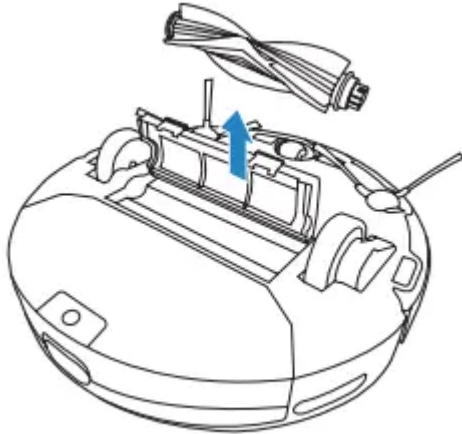
Tangle-free Brush

Tangle-free Brush is specifically designed to pick up hair without tangling. It is suggested to increase the vacuum power in yeedi App when using Tangle-free Brush.

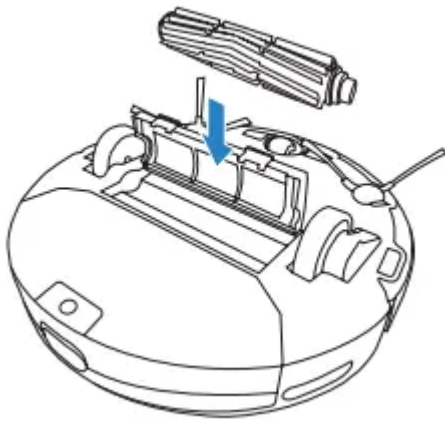
1. Release the Brush Cover



2. Uninstall the Main Brush



3. Install Tangle-free Brush



Maintenance

Regular Maintenance

To keep Robot running at peak performance, perform maintenance tasks and replace parts with the following frequencies:

Robot Part	Maintenance Frequency	Replacement Frequency
Disposable Cleaning Cloth	/	Dispose after each use
Washable/Reusable Microfiber Cleaning Cloth	After each use	Every 50 washes
Reservoir	After each use	/
Side Brush	Once every 2 weeks	Every 3-6 months
Main Brush Tangle-free Brush	Once per week	Every 6-12 months
Sponge Filter/ High Efficiency Filter	Once per week	Every 3-6 months
Universal Wheel Anti-Drop Sensors Bumper Charging Contacts Docking Station Pins	Once per week	/

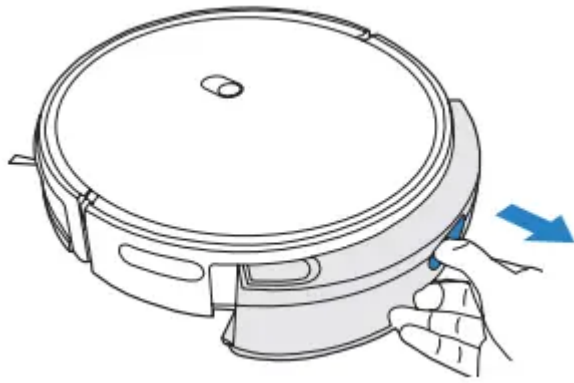
Before performing cleaning and maintenance tasks on Robot, turn the robot OFF and unplug the Docking Station.

A multi-function Cleaning Tool is provided for easy maintenance. Handle with care, this cleaning tool has sharp edges.

Note: Yeedi manufactures various replacement parts and fittings. Please contact Customer Service for more information on replacement parts.

Dust Bin & Reservoir

Uninstall the Dust Bin & Reservoir

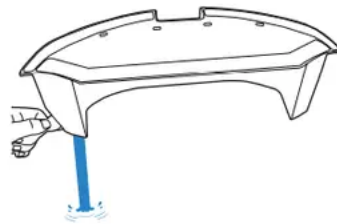


Reservoir

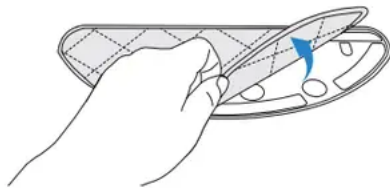
1



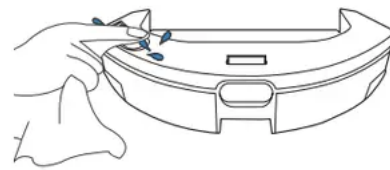
3



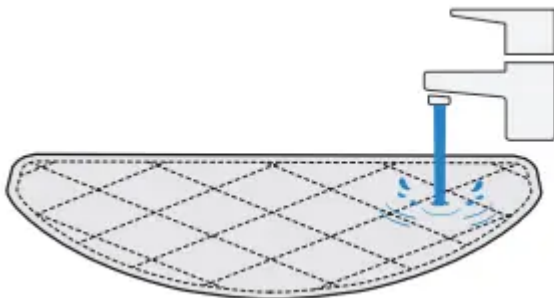
2



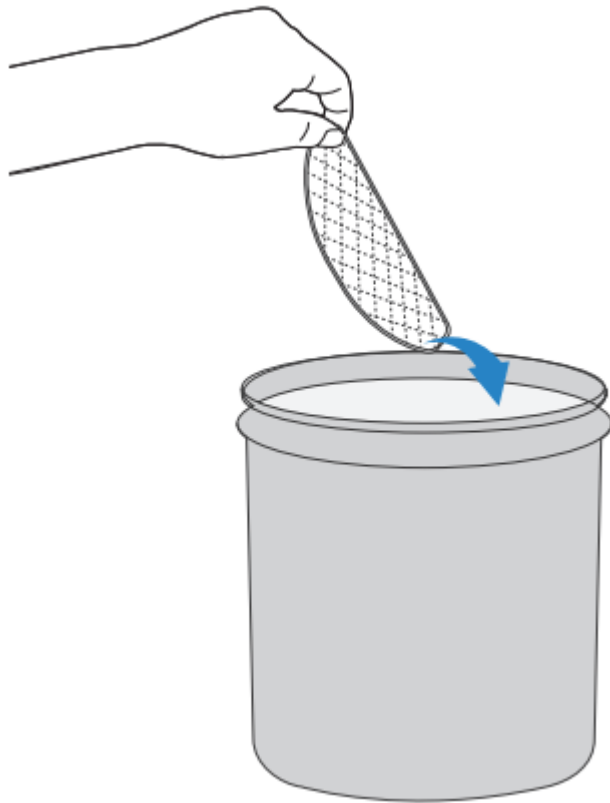
4



Washable/Reusable Microfiber Cleaning Cloth



Disposable Cleaning Cloth

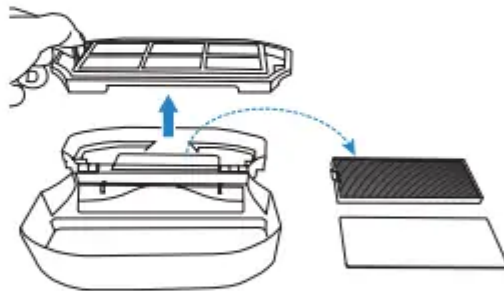


Dust Bin

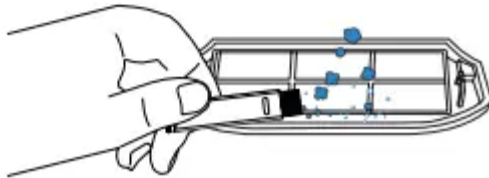
1



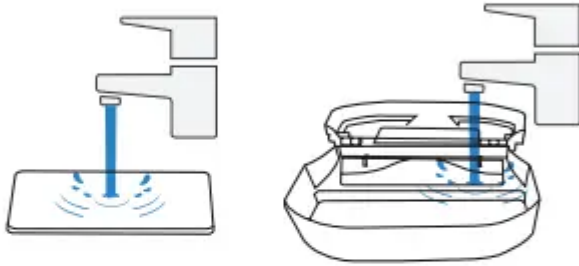
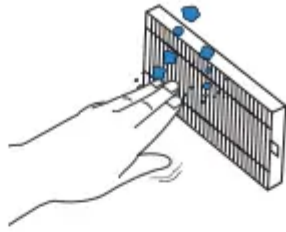
2



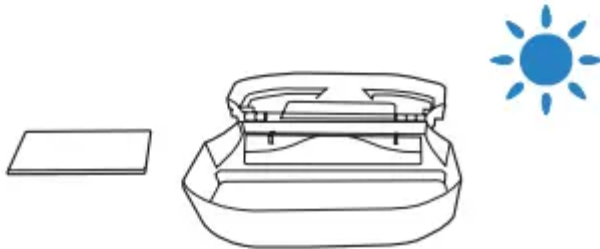
3



4



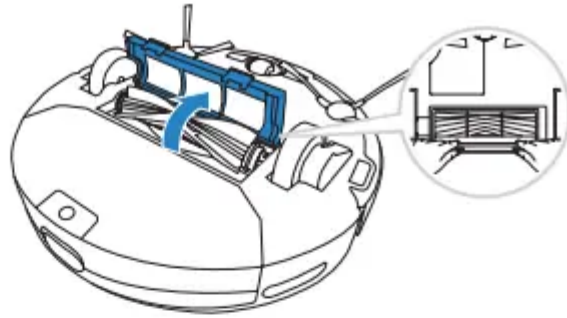
5



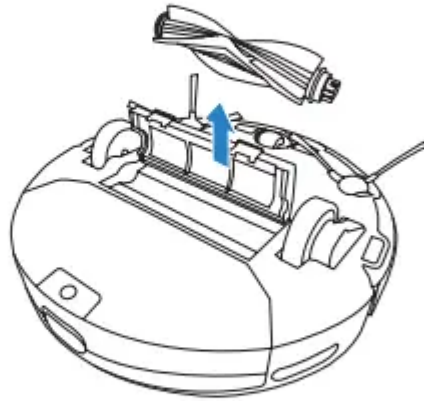
Main Brush & Side Brushes

Main Brush

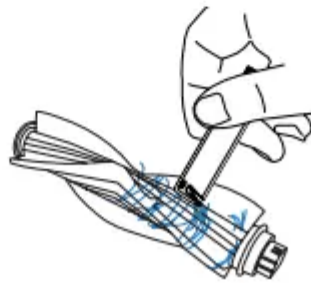
1



2



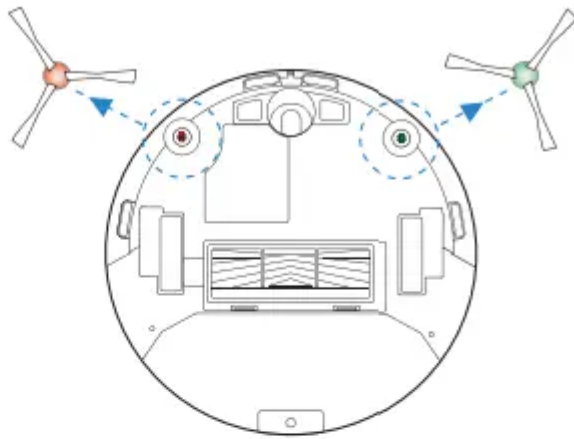
3



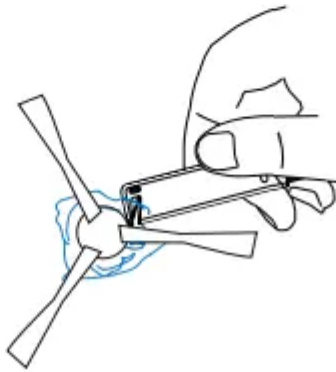
Side Brushes



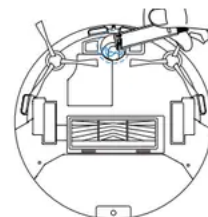
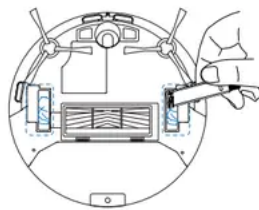
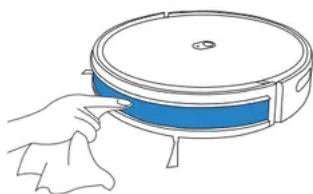
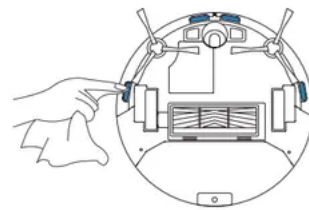
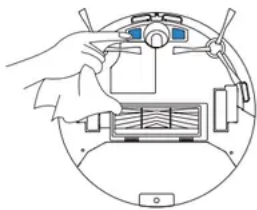
1



2



Other Components



Troubleshooting

No.	Scenario	Possible Cause	Solution
1	Robot is not able to connect to the home Wi-Fi network.	Incorrect home Wi-Fi username or password entered.	Enter the correct home Wi-Fi password.
		Robot is not within range of your home Wi-Fi signal.	Make sure Robot is within range of Wi-Fi signal.
		Network setup started before Robot was ready.	Turn ON Power Switch. Press Power Button. Robot is ready for network setup. Its Wi-Fi Indicator light flashes.
		Robot does not support 5 GHz Wi-Fi.	Make sure the robot has been connected to a 2.4 GHz Wi-Fi network.
2	Robot is not charging.	Robot is not switched ON.	Switch ON Robot.
		Robot has not connected to the Docking Station.	Be sure that the robot's Charging Port has connected to the Docking Station.
		The Docking Station is not connected to the power supply.	Make sure the Docking Station is connected to the power supply.
		The battery is completely discharged.	Please contact Customer Care for assistance.
3	Robot cannot return to the Docking Station.	The Docking Station is not correctly placed.	Refer to Section 3.2 correctly placing the Docking Station.
		The Docking Station is not correctly connected.	Make sure the Docking Station is correctly connected.
		The Docking Station is manually moved during the cleaning.	It is suggested not to move the Docking Station during the cleaning.



		Robot did not start cleaning from the Docking Station.	Make sure Robot starts cleaning from the Docking Station.
4	Robot misses cleaning spots to be cleaned, or repeats cleaning the area cleaned.	The cleaning cycle is interfered by small objects or barriers on the floor.	Remove power cords and small objects from the floor to ensure cleaning. Robot will automatically clean the area after. Please avoid moving Robot or furniture on the path during the cleaning cycle.
		Robot is working on slippery polished floors.	Make sure the floor wax is dry before Robot starts cleaning.
		Robot is unable to reach certain areas blocked by furniture or barriers.	Tidy up the area to be cleaned. Move furniture and small objects in the way to clear place.
5	Robot gets stuck while working and stops.	Robot gets stuck while working and stops.	Robot will try various ways to get unstuck. If unsuccessful, manually remove Robot from the area and restart.
		Robot might be stuck under furniture with an entrance of similar height.	Please set a physical barrier to prevent Robot from getting stuck.
6	Robot is making too much noise when cleaning.	Robot is tangled or blocked with debris.	Clean Robot as described in the Maintenance and restart. If the noise continues, please contact Customer Care.

Wi-Fi Connection

Before Wi-Fi setup, make sure Robot, mobile phone, and Wi-Fi network meet the following requirements. **Robot and Mobile Phone Requirements**

- Robot is fully charged and the power switch of Robot is turned on.
- Wi-Fi status light slowly flashes.
- Turn off mobile phone's cellular data (you can turn it back on after setup).

Wi-Fi Network Requirements

- You are using a 2.4GHz or 2.4/5 GHz mixed network.
- Your router supports 802.11b/g/n and IPv4 protocol.

- Do not use a VPN (Virtual Private Network) or Proxy Server.
- Do not use a hidden network.
- WPA and WPA2 using TKIP, PSK, AES/CCMP encryption.
- WEP EAP (Enterprise Authentication Protocol) is not supported.
- Use Wi-Fi channels 1-11 in North America and channels 1-13 outside North America (refer to local regulatory agency).
- If you are using a network extender/repeater, the network name (SSID) and password are the same as your primary network.

Product Specifications

Model	K651G		
Rated Input	19V === 0.6A 11.4W		
Docking Station Model	DN622.13		
Rated Output Voltage	19V ===	Rated Output Current	0.6A
Power Adapter Model	YJS015F-1900600G/DK18-190060H-V/TS-A011-190060E2		
Off/Standby Mode Power	Less than 0.50 W		
Networked Standby Power	Less than 2.00 W		
Frequency Bands and power	Operating frequency: 2412MHz - 2472MHz		
	Maximum transmitting power: 19 dBm.		

* Output power of the Wi-Fi module is less than 100mW.

Note: Technical and design specifications may be changed for continuous product improvement.

SAVE THESE INSTRUCTIONS







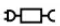
To satisfy RF exposure requirements, a separation distance of 20 cm or more should be maintained between this device and persons during device operation.

To ensure compliance, operations at closer than this distance is not recommended. The antenna used for this transmitter must not be co-located in conjunction with any other antenna or transmitter.

To disable Wi-Fi module on Robot, power the robot ON.

Place the robot on the Docking Station making sure the Charging Contacts on Robot and the Docking Station Pins make a connection.

Press and hold the AUTO Mode Button on the robot for 20 seconds until Robot emits 3 beeps. To enable Wi-Fi module on Robot, power the robot OFF and then power ON. The Wi- Fi module is turned on when Robot is restarted.

	Class II
	Short-circuit-proof safety isolating transformer
	Switch mode power supply
	For indoor use only
	Direct current
	Alternating current
	Detachable supply unit

Warning

This content is compiled from multiple sources and is provided for reference purposes only. It may not be complete or fully applicable to all situations. If you are unable to resolve your issue, please contact the product manufacturer or an authorized service provider for official support.

Document generated by [ManualsFile](#)

