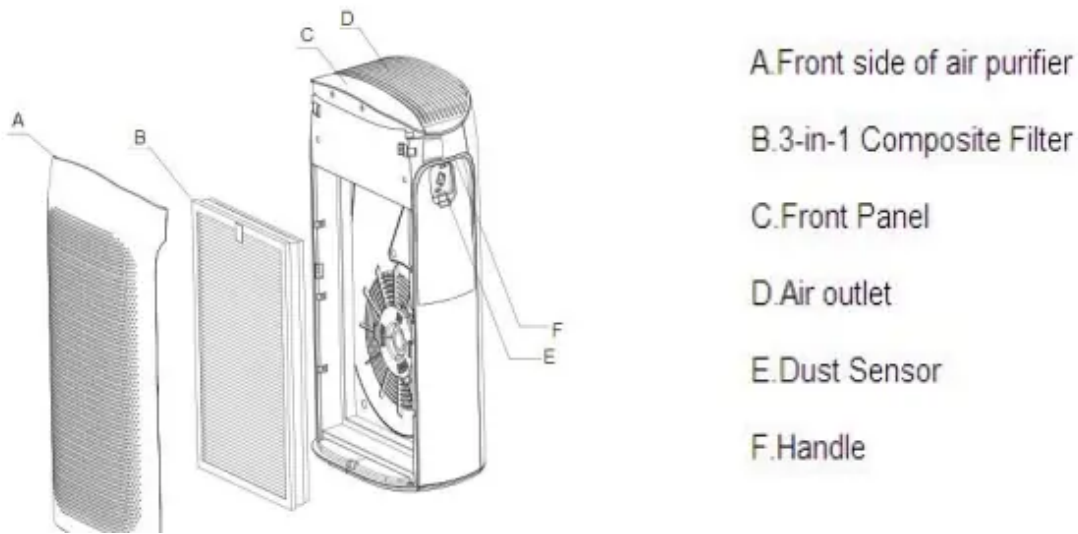
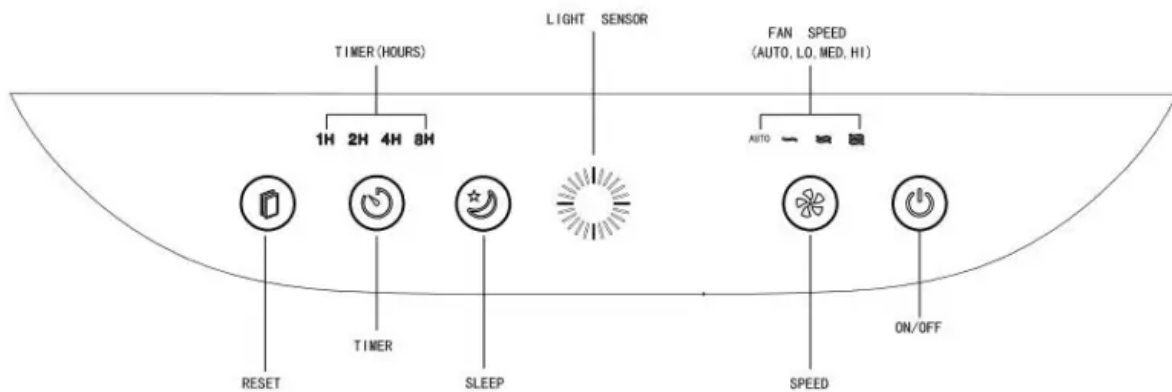


## Parts Description



## Control panel and functions



### 1. On/Off Button

When plug in the socket, press the Power On/Off on the top of the purifier to turn on. The purifier will begin on default of AUTO fan speed.

Press the “On/Off” button once to turn it off. All lights are off and the product in standby mode again.

#### Turning On the Machine:

The first time to plug in the socket, the air quality indicator light flashes red, green and blue for 1 second then stop. After completion, air quality indicator light stops flashing. The product is operating at auto mode with the corresponding color of the light is on to represent the quality of the air. Appropriate fan speed is adjusted according to the quality of the air.

## 2. Fan Speed Button

Press ----- “Fan Speed” button to select the level of fan speed (auto mode/low/mid/high).

Please press – or – to adjust the fan speed. There is light indication for corresponding fan speed.

### Auto mode:

If select auto mode, the product automatically detects the air quality. Adjust appropriate fan speed according to the quality of air in the room

Air quality indicator light	Blue	Green	Red
Fan Speed	Low	Mid	High

## 3. Sleeping Mode

Press -----“Sleep” button to turn on the night mode and corresponding light is on. Press once again to turn it off

## 4. Timer

Press -----“Timer” button to set the time (1 /2/4/8 hours).

## 5. Air Quality Indicator Light

Air quality indicator light has 3 colors to represent the quality of the air.

Air quality indicator light	Blue	Green	Red
Air Quality	Good	Neither good nor bad	Bad
Fan Speed	Low	Mid	High

## 6. Reset Button

When the light for reset button is flashing, it reminds you that replace the filter

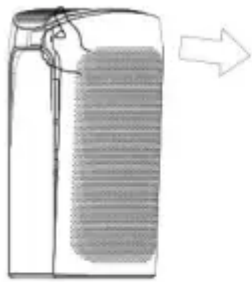
After replacing the filter, hold the “RESET” button for 3 seconds to turn off the light. After that, the calculation of operation time restarts again.

Assume the product is operated for 12 hrs a day, the light for reset button is on after 6 months.

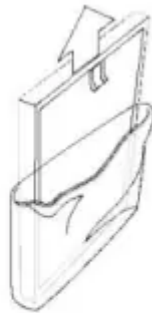
## Installation of Filters

Please be reminded to take away the plastic bag before putting the filters in the air purifier.

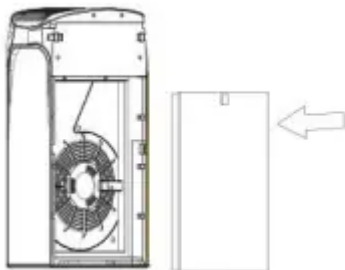
1. Take away the front panel board by holding your hands on the top two sides and pull it out. (Fig 1)
2. Take the 3-in-1 composite filter out of the plastic bag. (Fig2)



**Fig 1**



**Fig 2**

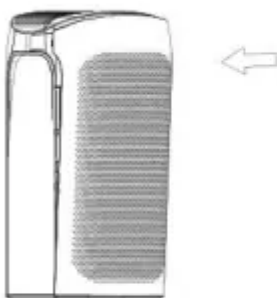


**Fig 3**

3. Then putting the 3-in-1 composite filter into the machine. Please note the wrong installation of filters will result in abnormal operation. (Fig 3)

4. Next, put back the front panel board to the machine. Hold your hands on the top two sides and push. Make sure the feet of the front panel board is inserted into the hole of the machine. (Fig 4)

5. Last, plug the purifier power cord into the outlet. (Fig 5)



**Fig 4**



**Fig 5**

## **Cleaning & Care**

- Please unplug the product before clean or move it.
- Do not immerse the cord and the whole in water or liquid.
- Do not use detergent, metal cleaning brush, petrol, alcohol, or flammable liquids to clean the products.

- Please do regular cleaning or replacement of filters to ensure filtration efficiency.
- Please turn off the machine and unplug it. Leave the product for 15 minutes before cleaning starts.
- When the product is not in use, put it back in the gift box and store it in a safe, cool and dry place that avoid direct sunlight.

1. Use the soft cloth to clean the surface of the product. It's utmost dirty, please use wet cloth which is completely wet through in warm water of temperature around 350 -400. Please make sure the product is dried out by a dry cloth thoroughly.

2. The 3-in-1 filter is non-washable. Recommend to use the soft brush to clear the dust on the surface or put under sunshine from time to time, which helps to extend the lifetime of the filter. The replacement period, in fact, differs depending on the operation hours and environment.

3. For dust Sensor, please use the soft brush to clear the the dust on its surface to restore its sensitivity. Suggest to clean it on monthly basis.

## **Troubleshooting**

This section summarizes the most common problems you could encounter with the appliance. If you are unable to solve the problem, contact the Consumer CareCenterinyourcountry.

Problem	Possible Cause	Solution
Airflow from air outlet is at low level.	<ol style="list-style-type: none"> <li>1. The plastic bag of the filter is not removed.</li> <li>2. There are objects blocking the air outlet.</li> </ol>	<ol style="list-style-type: none"> <li>1. Take away the plastic bag. Please refer to “Installation of filters” section.</li> <li>2. Clear the objects from the air outlet Please refer to the “Cleaning and Maintenance” section.</li> </ol>
Air purifying performance is not obvious and no improvement in air quality	<ol style="list-style-type: none"> <li>1. Filters are not installed yet.</li> <li>2. Doors or windows are always kept open. Pollutants outside flowed into the room continuously. Therefore, it takes a longer time to purify the air.</li> <li>3. The product is placed in a too tight area or with objects blocking nearby.</li> <li>4. Filters are dirty resulting in filtration efficiency.</li> </ol>	<ol style="list-style-type: none"> <li>1. Install the filters.</li> <li>2. Do not place the product too near the window unless the window is closed. Please keep the door closed.</li> <li>3. Place the product in an area with a good-airflow environment.</li> <li>4. Clean or replace the filter. Please refer to the “Cleaning and Maintenance” section.</li> </ol>
Air quality indicator light keeps at red color for very long time	<ol style="list-style-type: none"> <li>1. Dust sensor is dirty</li> <li>2. Doors or windows are always kept open. Pollutants outside flowed into the room continuously. Therefore, it takes a longer time to purify the air</li> </ol>	<ol style="list-style-type: none"> <li>1. Please clean the dust sensor to restore its sensitivity. Please refer to the “Cleaning and Maintenance” section.</li> <li>2. Close the windows and door first. Turn to high fan speed so that the product can purify the air in short time.</li> </ol>

## Specifications

Rated voltage: 120V 60Hz

Power: 42W

Recommend coverage: 35-45

Noise level: 34~50dB

Product size: 32.7 x 22 x 55.8cm

Weight: 5.0 KGS

### Warning

This content is compiled from multiple sources and is provided for reference purposes only. It may not be complete or fully applicable to all situations. If you are unable to resolve your issue, please contact the product manufacturer or an authorized service provider for official support.

---

Document generated by [ManualsFile](#)

